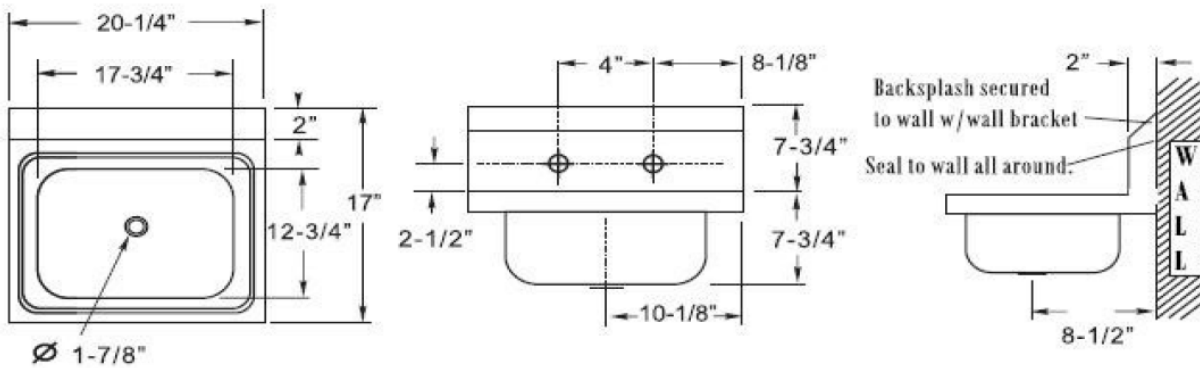


WICKETTS STAINLESS

Stainless Steel Hand Sink
WHS 2017-SSG LEAD FREE

SPECIFICATION



Product #	Description
WHS 2017-SSG	20 x 17 Wall Mount Hand Sink With Side Splashes Lead Free Faucet

WICKETTS STAINLESS, LLC
2618 San Miguel Dr. Bldg.# 376
Newport Beach, CA 92660
Tel.(951)-858-2548
Fax.(951)-638-9059
sales@wickettsstainless.com
www.wickettsstainless.com



Approved for Manufacturing
Company: _____
Signature: _____
Print: _____ Date: ____/____/____