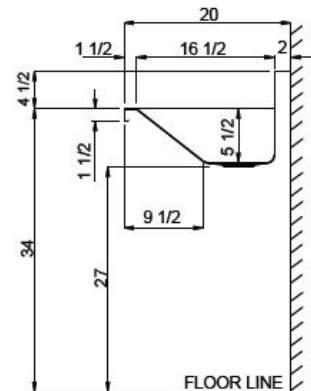
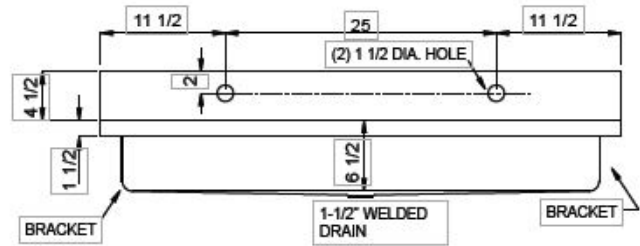
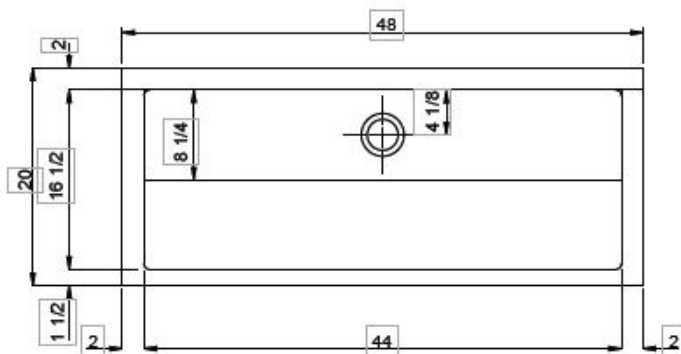
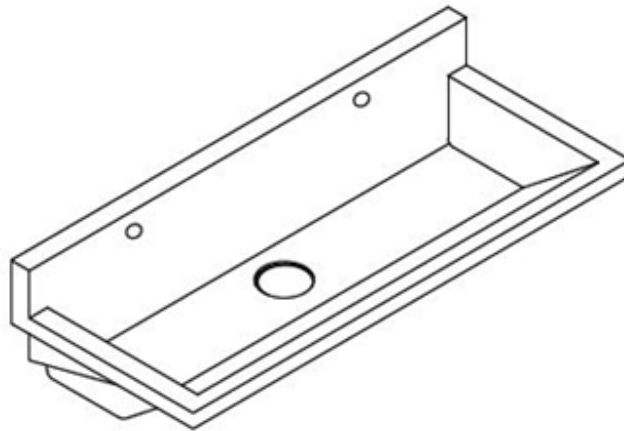


# Wicketts Stainless

## SPECIFICATION

Commercial Sink Heavy Duty  
 ADA Wash Sink  
 WWT-Series



Model Number	L	W	L1	D	W1	BS
WWT 4820-ADA-4-BS	48	20	45	5.5		4.5

### Engineering Specification:

14 gauge, type 304 stainless steel wash sink. Top 1-3/8" rolled rims. 1 1/2" welded in grid drain. Exposed surfaces polished to a satin finish. Supported on (2) wall brackets and clips.

**Wicketts Stainless, LLC.**  
 2618 San Miguel Dr. Bldg. # 376  
 Newport Beach, CA 92660  
 Tel: 951-858-2548  
 Fax: 951-638-9059  
[www.wickettsstainless.com](http://www.wickettsstainless.com)  
[sales@wickettsstainless.com](mailto:sales@wickettsstainless.com)



**WARNING:**  
 This product can expose you to chemicals, which are known to the State of California to cause cancer. For more information, visit [www.P65Warnings.ca.gov](http://www.P65Warnings.ca.gov).

Approved for Manufacturing  
 Company: \_\_\_\_\_  
 Signature: \_\_\_\_\_  
 Print: \_\_\_\_\_ Date: / /