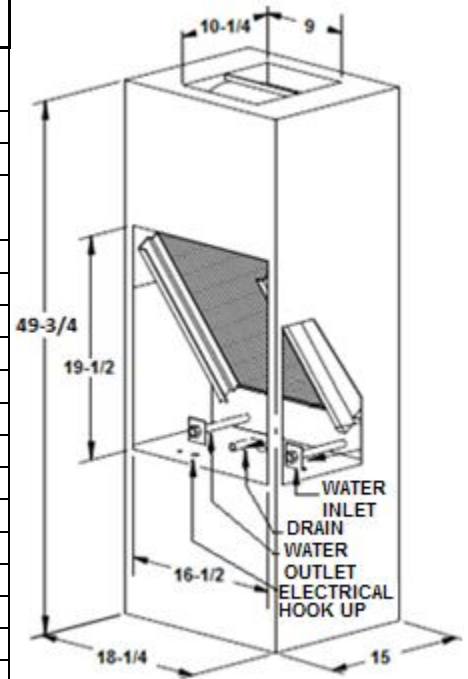


Singer/McQuay VF Replacement (Heat Pump)

GENERAL PRODUCT SPECIFICATIONS					
Model Number	WPFS10 - HP	WPFS12 - HP	WPFS15 - HP	WPFS20 - HP	WPFS24- HP
Nominal Cooling (tons)	0.83	1.00	1.25	1.70	2.0
COOLING CYCLE					
Total Cooling	10,150	12,100	15,400	20,000	25,000
Total Heating	12,000	16,000	18,000	24,000	28,800
COMPRESSOR TYPE	Rotary	Rotary	Rotary	Rotary	Scroll
Refrigerant R-410a(oz)	26	26	26	32	34
FILTERS(Washable)	16x20x1	16x20x1	16x20x1	16x20x1	16x20x1
CONDENSER COIL					
Coaxial - Tube in Tube					
Gallons Per Minute	2.5	3.0	3.7	5.0	6.0
Water In Connection (FPT)	3/4	3/4	3/4	3/4	3/4
Water Out Connection (FPT)	3/4	3/4	3/4	3/4	3/4
Condensate Connection	3/4 Pipe	3/4 Pipe	3/4 Pipe	3/4 Pipe	3/4 Pipe
EVAPORATOR COIL - TYPE					
Copper Tube - Aluminum Fins					
Refrigerant Control	TX Valve	TX Valve	TX Valve	TX Valve	TX Valve
EVAPORATOR FAN - TYPE					
3 Speed-Direct Drive					
Diameter x Width (in)	6x8	6x8	6x8	9x7	9x7
Motor Horse Power	1/8	1/8	1/8	1/4	1/4
CFM	330	400	500	660	800

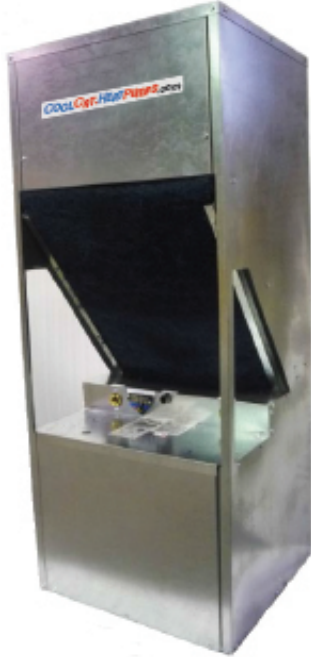


ELECTRICAL DATA								
Model No.	Electrical Characteristics	Compressor		Blower Motor		Unit Total FLA	Min. Circuit Ampacity	Maximum Fuse Size
		RLA	LRA	FLA	HP			
WPFS10-1HP	208/230/60/1	4.5	25	0.7	1/8	5.2	6.2	15
WPFS10-2HP	265/60/1	4.0	23	0.7	1/8	4.7	5.7	15
WPFS12-1HP	208/230/60/1	4.7	25	0.7	1/8	5.4	6.5	15
WPFS12-2HP	265/60/1	4.2	22	0.7	1/8	4.9	6.0	15
WPFS15-1HP	208/230/60/1	5.6	29	0.7	1/8	6.3	7.6	15
WPFS15-2HP	265/60/1	5.0	28	0.7	1/8	5.7	6.9	15
WPFS20-1HP	208/230/60/1	7.4	33	1.8	1/4	9.2	11.1	15
WPFS20-2HP	265/60/1	6.0	28	1.8	1/4	7.8	9.4	15
WPFS24-1HP	208/230/60/1	8.3	44	1.8	1/4	10.1	12.2	15
WPFS24-2HP	265/60/1	6.8	30	1.8	1/4	8.6	10.5	15

Cooling capacity test conditions: Condenser Water – 85°F entering water temp. / 95°F leaving water temp.
All units ship as tested on MED speed. For high sensible applications units must be changed to HIGH speed.
Total unit pressure drop (Valve installed) = Condenser coil pressure drop + water regulating valve pressure drop.

Note: Due to on-going research and development, product specifications may change without notice.





The Water Cooled WPFS Heat Pump is an exact replacement for the **VF Singer and McQuay** series. No modifications are required. The units are available in nominal capacities of 10,000, 12,000, 15,000, 20,000, 24,000, 26,000, 33,000 and 40,000 Btu's. The equipment is manufactured to meet industry standards using proven modern, components and offers high efficiency and reliability. . Backed by a one year parts warranty and five year compressor warranty.

CABINET

The cabinets are made with a 16 gauge base and a combination of 16 & 20 gauge galvanized sheet metal. The unit interior is insulated with ½" thick insulation for sound attenuation as well as its insulation factor.



GENERAL PRODUCT SPECIFICATION

REFRIGERATION CIRCUITS

All models utilize a high efficiency rotary or scroll compressor. The compressors are wired with internal over-load protection. Each compressor section is insulated for sound attenuation. Compressors are mounted on rubber isolators to minimize vibration transmission. The refrigeration circuit consists of an adjustable thermal expansion valve. A high efficiency coaxial tube in tube condenser coil is utilized.

EVAPORATOR FAN

All units use a multi-speed, direct drive forward curved centrifugal blower to provide ease in adjustment for attaining the required airflow at minimum rpm and noise levels.

ELECTRICAL/CONTROLS

All units have high and low pressure controls. All units are equipped with Anti-freeze controls. Refrigerant access valves are located for easy access.

FILTERS

All units are shipped with a washable 1" reusable filter on the return air intake.

