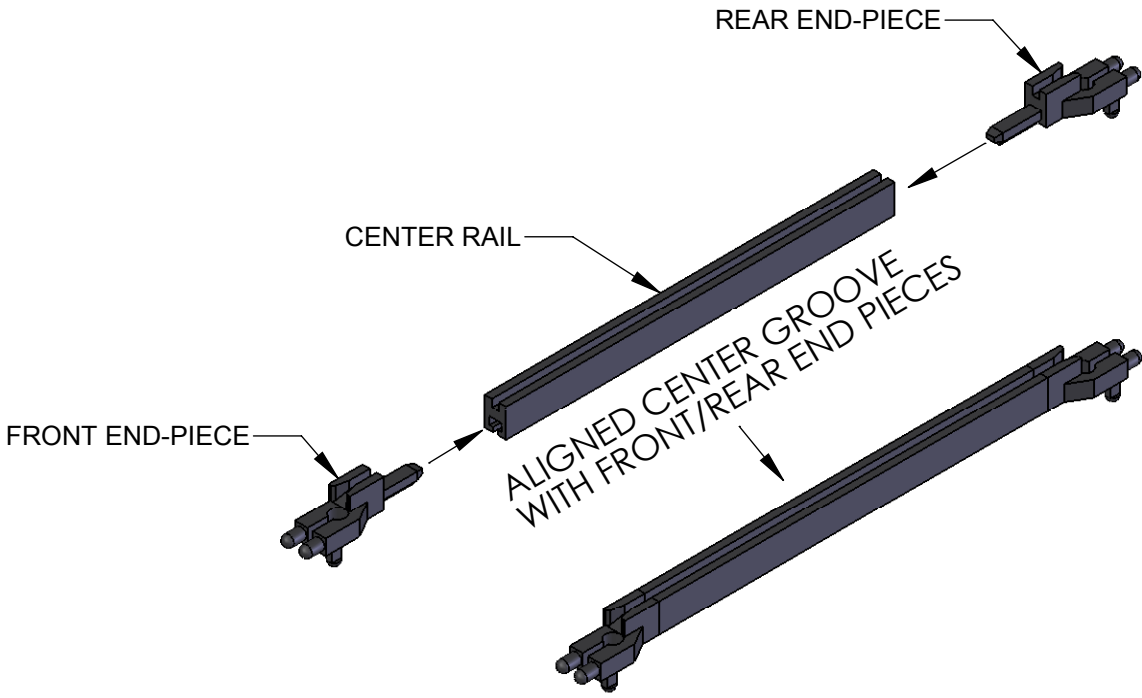
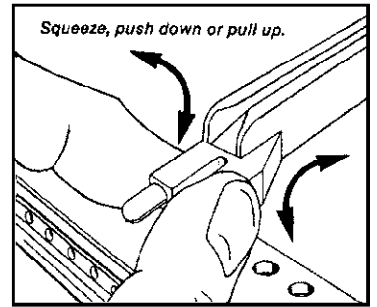


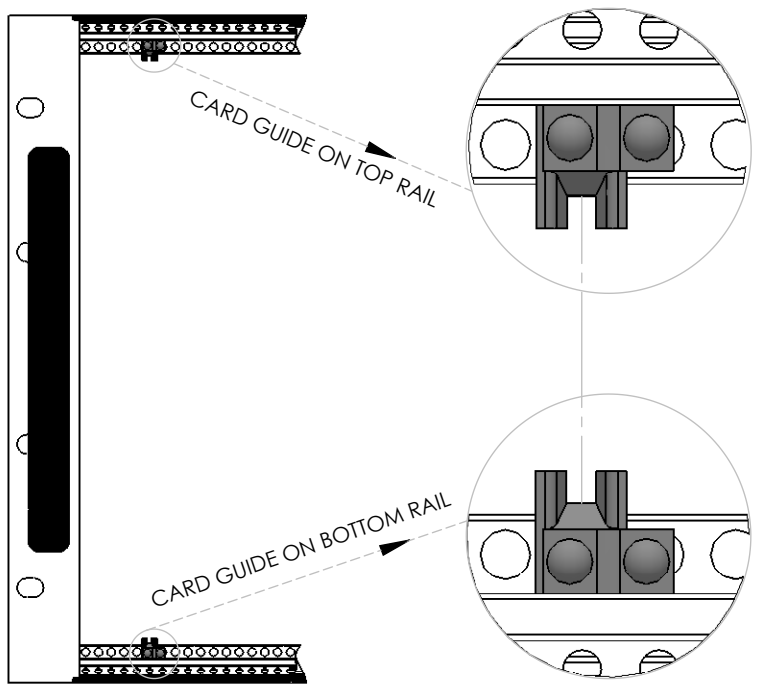
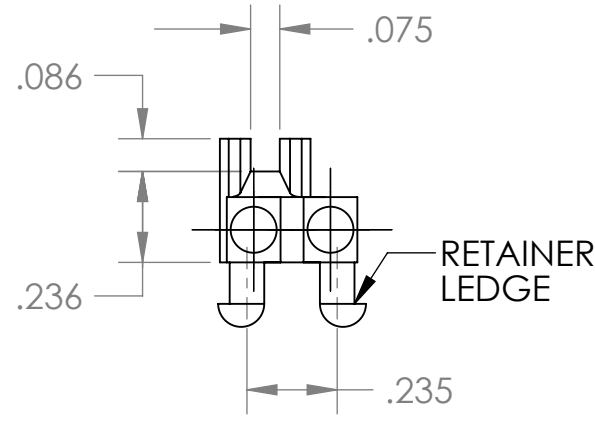
CG-1 CARD GUIDE ASSEMBLY



INSTALLATION/REMOVAL OF GUIDES FROM RAIL



PART NO.	DESCRIPTION	CARD THK.
CG1-160U/12	160mm	.062"
CG1-220U/12	220mm	.062"
CG1-280U/12	280mm	.062"
CG1-340U/12	340mm	.062"
CG1-400U/12	400mm	.062"



EITHER TOP OR BOTTOM GUIDE IS ROTATED 180° AND ALIGNED THEM IN SAME LINE