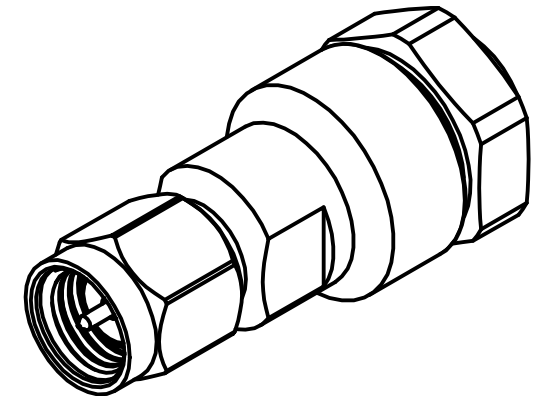
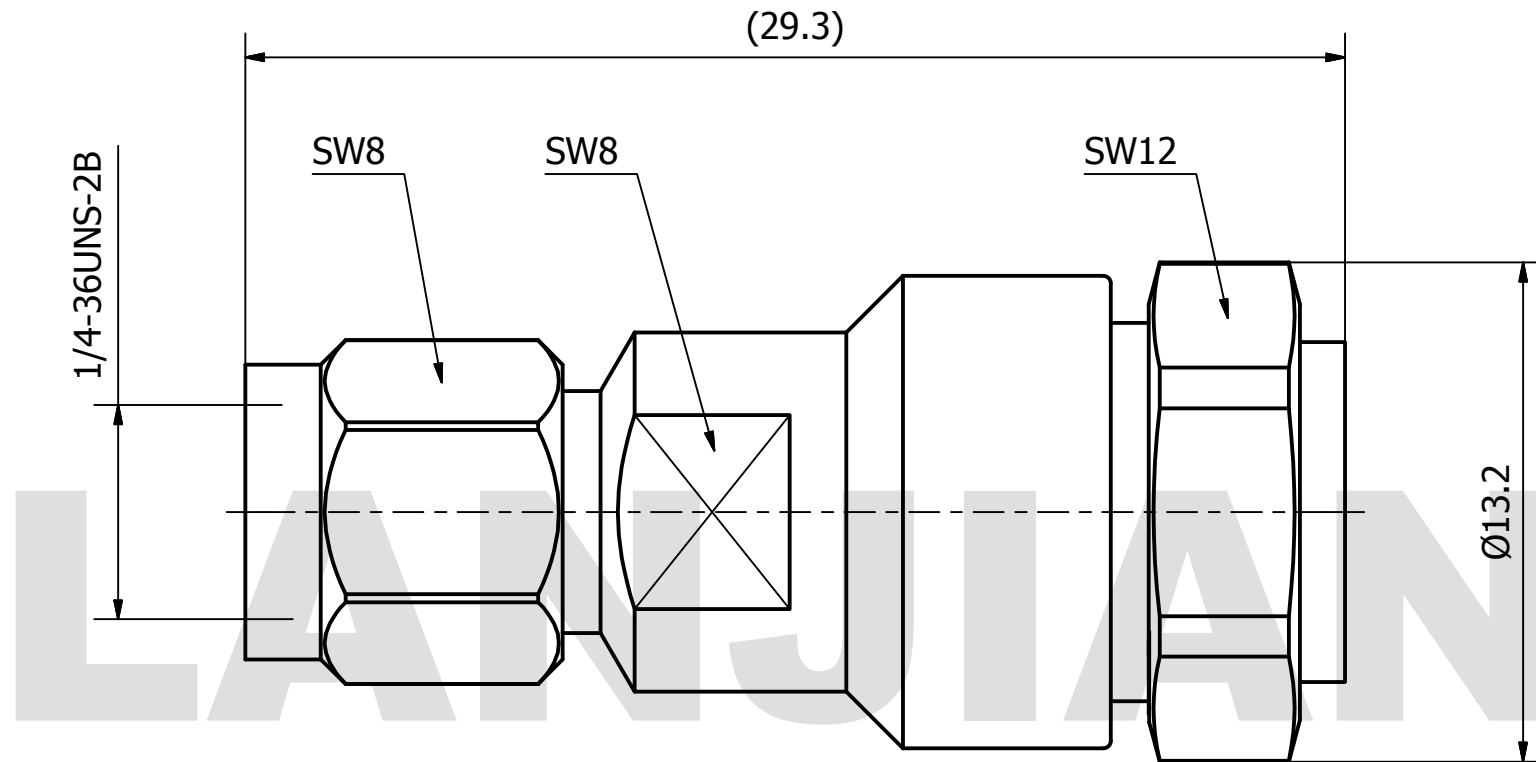


# PRODUCT DATA SHEET



**MATERIAL:**  
**BODY:** STAINLESS STEEL PER AMS-5640,  
 ALLOY UNS S30300  
**CONTACT:** BRONZE  
**INSULATOR:** PTFE PER ASTM D1710

**PERFORMANCE:**  
**IMPEDANCE:** 50 OHMS  
**FREQUENCY:** DC TO 18 GHz  
**VSWR:**  $\leq 1.30$

THIS DOCUMENT CONTAINS CONFIDENTIAL AND PROPRIETARY INFORMATION THAT CANNOT BE REPRODUCED OR DIVULGED, IN WHOLE OR IN PART, WITHOUT WRITTEN AUTHORIZATION FROM "LANJIAN ELECTRONICS"

MATERIAL :			
UNLESS OTHERWISE SPECIFIED: DIMENSIONS IN MM			
TOLERANCES :			
X.X	$\pm 0.20$	ANGULAR : $\pm 1^\circ$	DEBURR AND BREAK SHARP EDGES
X.XX	$\pm 0.10$	FILLETS R/C : $\pm 0.10$	
X.XXX	$\pm 0.01$	SURFACE FINISH : Ra 1.6	
	NAME	DATE	SIGNATURE
DRAWN	YaoJiang	08/14/2018	
CHK'D	HongZhongYan	08/14/2018	
APPV'D	HongZhongYan	08/14/2018	
MFG			
PROJECTION		SIZE	SCALE
		A3	5 : 1

<b>LANJIAN ELECTRONICS</b>	
38 Hengtong Road, Xinqu Dingmao Zhenjiang, 212009, Jiangsu, P. R. China	
TITLE	
SMA-J2801 pin cable connector	
DWG No.	REV.
GCPZ3.650.A.021	A
DO NOT SCALE THE DRAWING	
PAGE	PAGE
1 / 1	1 / 1