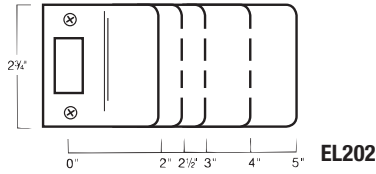


2-3/4" EXTENDED LIP STRIKES

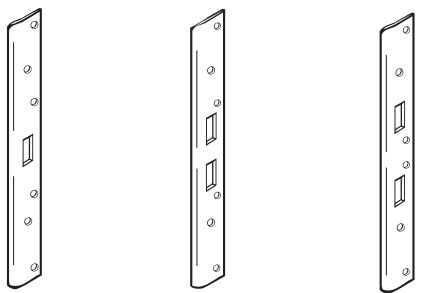
- For use where strike holes are inset into the jamb
- Constructed of 13 gauge material
- Brass plated



MFG #	SIZE	EZ #
EL202BP	2-3/4" x 2"	003162
EL225BP	2-3/4" x 2-1/2"	003165
EL203BP	2-3/4" x 3"	027712
EL205BP	2-3/4" x 5"	027711

LONG STRIKES

- Designed to work with key-in-knobs or deadbolts
- Constructed of 13 gauge steel

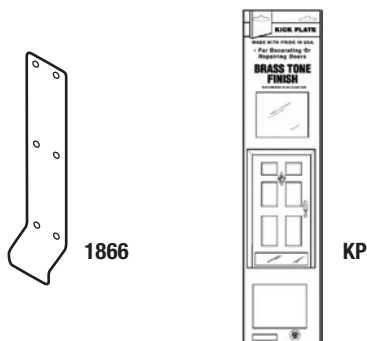


AST21341 AST21342 AST21346

MFG #	SIZE	FINISH	EZ #
SINGLE HOLE; TO WORK WITH KEY-IN-KNOB OR DEADBOLT			
FL208WBP	8" x 1-3/4"	Brass Plated	027850
FL208WSL	8" x 1-3/4"	Silver Plated	027844
FL212WBP	12" x 1-3/4"	Brass Plated	003171
FL212WSL	12" x 1-3/4"	Silver Plated	027847
AST21341BP	18" x 1-3/4"	Brass Plated	026250
DOUBLE HOLE; TO ACCOMMODATE 3-5/8" & 4" CENTRES			
FL212W4BP	12" x 1-3/4"	Brass Plated	027846
FL212W4SL	12" x 1-3/4"	Silver Plated	027845
AST21342BP	18" x 1-3/4"	Brass Plated	026251
DOUBLE HOLE; TO ACCOMMODATE 5-1/2" & 6" CENTRES			
FL212W6BP	12" x 1-3/4"	Brass Plated	027859
AST21346BP	18" x 1-3/4"	Brass Plated	003145
AST21346SL	18" x 1-3/4"	Silver Plated	084880



PUSH/PULL PLATE & KICK PLATES



- 1866**
- Constructed of 11 gauge stainless steel
 - Projection: 1-1/4"
 - ANSI A156.6 J303

- KP**
- Packaging includes an outer corrugation that protects the kick plate and allows it to be hung for display or stacked

MFG #	SIZE	FINISH	EZ #
1866 630	3-1/2" x 15-3/4"	Stainless Steel	101979
KP634 630	6" x 34"	Satin Stainless	100384

CABINET ELBOW CATCH



- Made of cast brass or bronze
- Ideal for use on the inactive leaf of cabinet doors
- Supplied with screws
- Catch size: 1-3/8" x 5/8"
- Strike size: 1-3/16" x 5/8"

MFG #	FINISH	EZ #
21C26D	Satin Chrome	072703

CYLINDER PULL



- 1-1/4" hole for mortise or rim cylinder
- Cast brass or bronze base material
- 2-3/4"H x 1-7/8"L

MFG #	FINISH	EZ #
980 C28	Aluminum	035239

FLUSH BOLT



- Base material: brass
- Face size: 1" x 6-3/4"
- Keeper size: 1" x 2-1/4"
- Guide: 7/8" x 2-1/4"
- Extension length: 12" (length measured from centre of operating lever to end of bolt when in retracted position)

MFG #	FINISH	EZ #
GSH401C26D	Satin Chrome	039789

CAST WALL STOPS



GSH231



GSH250B

- All fasteners included

GSH231

- For use with most locksets

GSH250B

- For use on locksets with push-in locking button

MFG #	FINISH	DIAMETER	PROJECTION	EZ #
GSH231C26D	Satin Chrome	2-3/8"	1"	035541
GSH250B C26D	Satin Chrome	2-1/2"	1"	039785

FLOOR STOPS



GSH200

GSH200 C26D: LOW PROFILE DOOR STOP

- Material: Cast
- Size: 1-3/4"D x 1-1/8"H



GSH201

GSH201: DOOR STOP RISER

- Material: Cast
- Raises GSH200 or GSH218 higher for larger door gaps



GSH218

GSH218 C3: STANDARD PROFILE DOOR STOP

- Material: Cast
- Size: 1-3/4"D x 1-3/8"H



GSH281

GSH281: STANDARD PROFILE

- Heavy duty floor stop made of cast brass or bronze
- Size: 2 3/4"H x 2 5/8"L x 1 5/8"W
- Machine bolts with shields supplied

MFG #	FINISH	RISE	EZ #
GSH200C26D	Brushed Chrome	1/8"	035537
GSH201C26D	Brushed Chrome	1/2"	083961
GSH218C3	Polished Brass	3/8"	035538
GSH218C26D	Brushed Chrome	3/8"	035539
GSH281C26D	Brushed Chrome	2 3/4"	035543

DOOR PULLS & PLATES



4009



4609

4009: PULL HANDLE

- Projection: 1-1/2"
- Centre: 9"
- Material: 3/4"D



80A



81A

80A & 81A: PROTECTIVE PLATES

- .050 thickness for 80A & 81A plates
- Fastening: Screw type mounting supplied with oval undercut head sheet metal screws standard, all holes countresunk
- Beveling: All push plates supplied beveled four sides standard
- 80A packed individually in a cardboard box to protect while shipping

MFG #	TYPE	FINISH	SIZE	EZ #
4009 1C28	Round Pull	Aluminum	9"	035546
4009 1C3	Round Pull	Polished Brass	9"	035545
4009 1C32D	Round Pull	Satin Stainless	9"	035547
4609 1C28	Pull & Plate	Aluminum	3-1/2" x 15"	087368
80A8X34C32D	Kick Plate	Satin Stainless	8" x 34"	088157
81A4X16C28	Push Plate	Aluminum	4" x 16"	036910
81A4X16C3	Push Plate	Polished Brass	4" x 16"	035548
81A4X16C32D	Push Plate	Satin Stainless	4 x 16"	036911

G

MISCELLANEOUS

ASA STRIKES, FLUSH BOLTS, FASTENER SEXBOLT, PUSH & PULL HANDLES

ASA STRIKES



- Meets the ASA strike specification size of A115.2 of 4-7/8"H x 1-1/4"W
- Used for knob & lever sets in commercial applications

MFG #	TYPE	FINISH	EZ #
ASA C15	Standard	Brushed Nickel	035224
ASAC3	Standard	Polished Brass	082308
ASAC15T	Adjustable Lip	Brushed Nickel	083790

FLUSH BOLTS



DC840



DC860

- For keeping the inactive door of a pair of doors stationary
- DC840 supplied in pairs
- DC860 sold individually

MFG #	FOR	HEIGHT	WIDTH	THROW	EZ #
DC840 C15	Steel	6-1/4"	1'	5/8'	086322
DC860C28	Aluminum	5-1/4"	15/16"	5/8"	039421

FASTENER SEXBOLT



- Zinc plated thru-bolt for affixing door closers, exit devices and other hardware on 1-3/4" doors where a blind bolt fastener is required on exterior side
- Allen key nut interior

MFG #	EZ #
SF710ZCB	039649

PUSH & PULL PLATES



1410



H1413

1410

- Push/pull plate combination with a 9" pull mounted on a 4" x 16" push plate
- Aluminum finish

H1413

- Pull handle only

MFG #	DESCRIPTION	EZ #
1410 AL	Push Pull Handle Set	035220
H1413	9" Pull Handle Only	067805