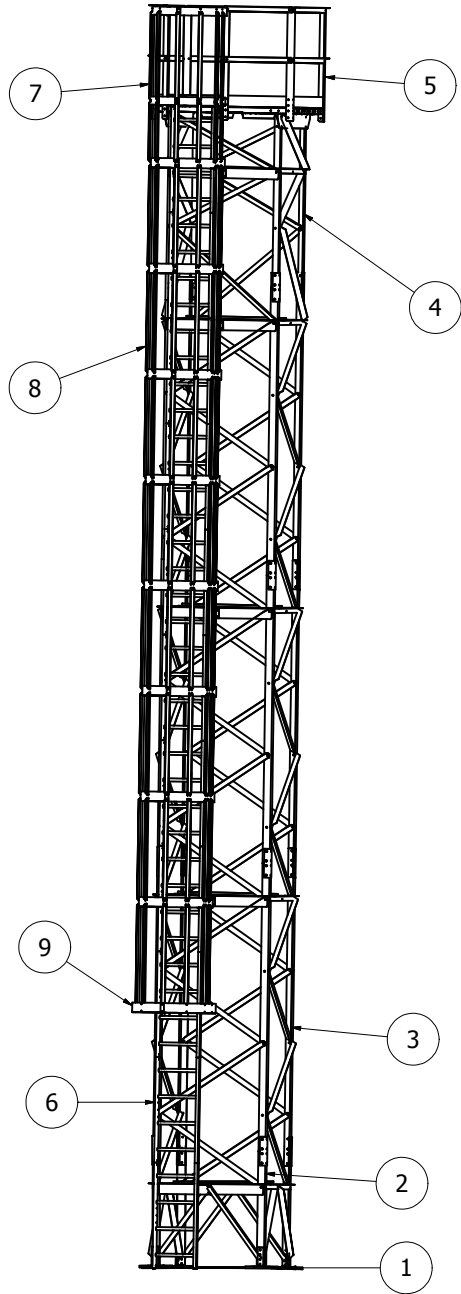


64401 40' Loop Tower



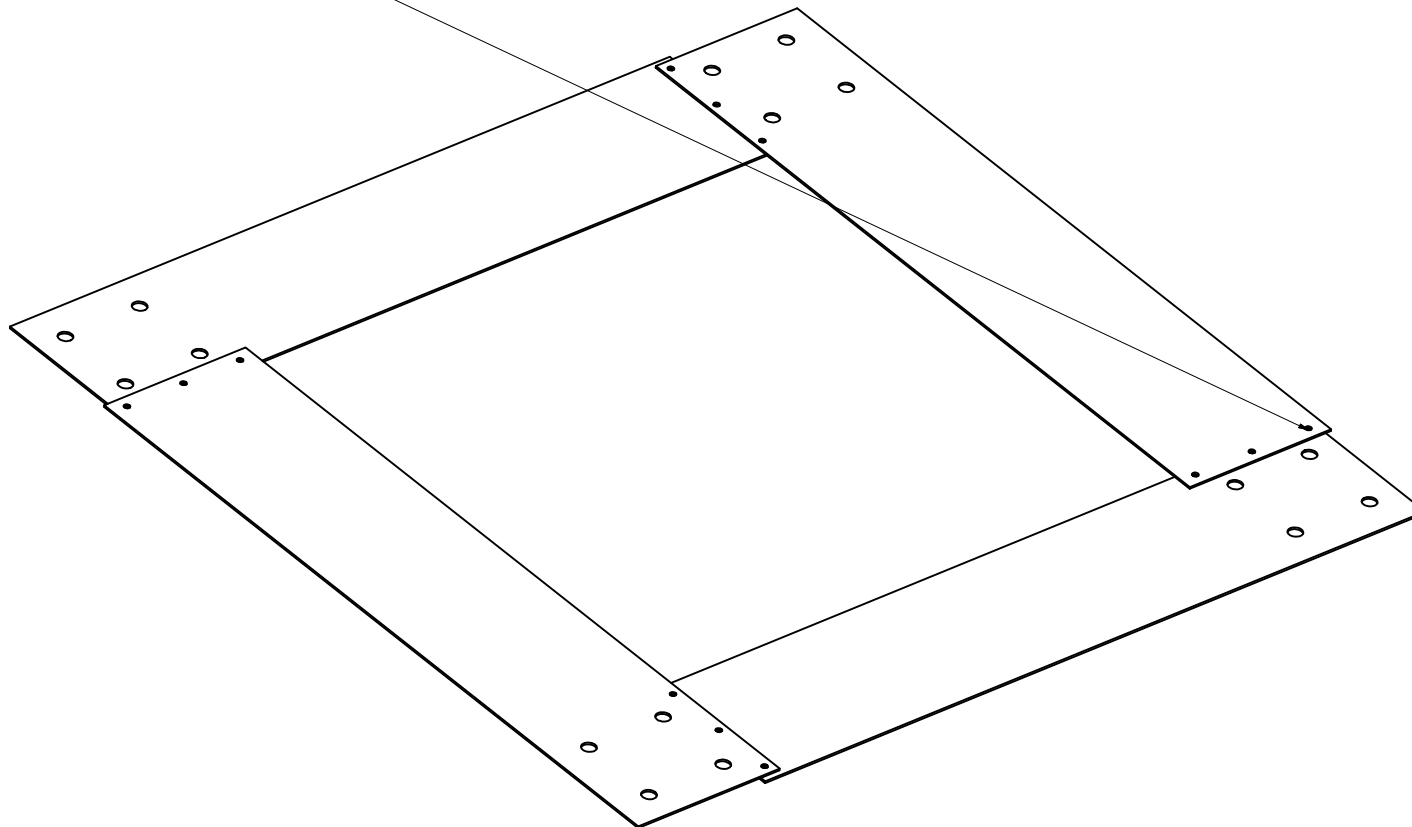
Parts List			
ITEM	QTY	PART NUMBER	DESCRIPTION
1	1	Template assy	
2	1	44404 base section	
3	3	44310 10 ft int section	
4	1	44306 6 ft top section	
5	1	64550 5 x 5 top deck assy	
6	4	Sukup ladder	
7	1	SP-C123 Safety cage Top	
8	8	SP-C122 Safety cage main	
9	1	SP-C001 Safety cage flare	

DRAWN Rex A Greene 4/6/2007		Greene Welding and Hardware Inc. Greene Galvanized Stairs 217/375/4244 www.greenebinstairs.com	
MFG		TITLE	
APPROVED		SIZE C	DWG NO 64401 40' Loop tower ht
		REV	
SHEET 1 OF 11			

Template Assy

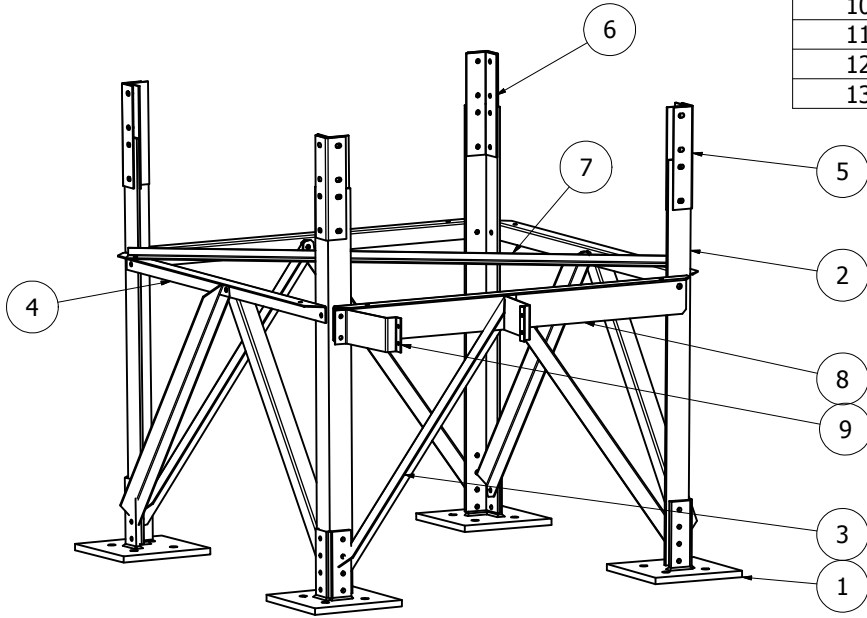
Parts List			
ITEM	QTY	PART NUMBER	DESCRIPTION
1	4	Anchor template 48	47x10x12ga
2	14	3/8" x 3/4 cap screws	
3	14	3/8 nuts	

1



DRAWN Rex A Greene 4/6/2007		Greene Welding and Hardware Inc. Greene Galvanized Stairs 217/375/4244 www.greenebinstairs.com	
MFG		TITLE	
APPROVED		REV	
SIZE C	DWG NO 64401 40' Loop tower ht	SHEET 2 OF 11	

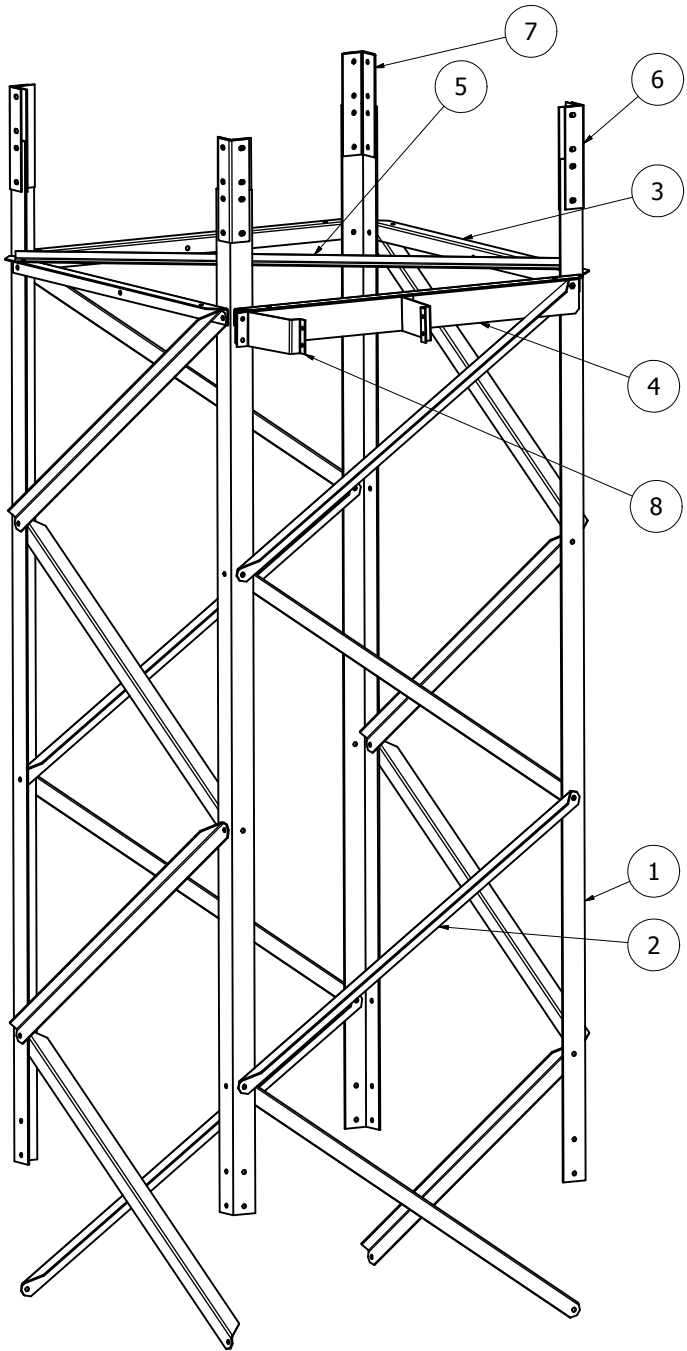
44404 1/4 base section



Parts List				
ITEM	QTY	PART NUMBER	STOCK NUMBER	MASS
1	4	66-B001		33.171 lbmass
2	4	64-L004 Base leg	48 x 3 x 3 L	3.019 lbmass
3	8	64-D001 short base diag	39.25 x 2 x 2 x 8 ga L	0.630 lbmass
4	3	64-C001 Cross angle	47 x 2 x 2 x 8 ga L	0.786 lbmass
5	4	SS2008 Siderail Splice	12 x 2.5 x 2.5 x 8 ga L	0.250 lbmass
6	8	SS0018 Siderail splice	12 x 2 x 8 ga	1.395 lbmass
7	1	64-T001 tie brace	65.5 x 2 x 1 x 8 ga L	5.697 lbmass
8	1	64-LC002 Ladder Cross bar	46.75 x 4.5 x 2 x 8 ga L	14.128 lbmass
9	2	64-LB003 Ladder Bracket	9 x 1.5 x 12 ga LB	1.403 lbmass
10	1			
11	1			
12	1			
13	1			

DRAWN Rex A Greene 4/6/2007		Greene Welding and Hardware Inc. Greene Galvanized Stairs 217/375/4244 www.greenebinstairs.com		
MFG		TITLE		
APPROVED		REV		
		SIZE C	DWG NO 64401 40' Loop tower ht	REV
		SHEET 3 OF 11		

44310 10 ft 3/16 int section

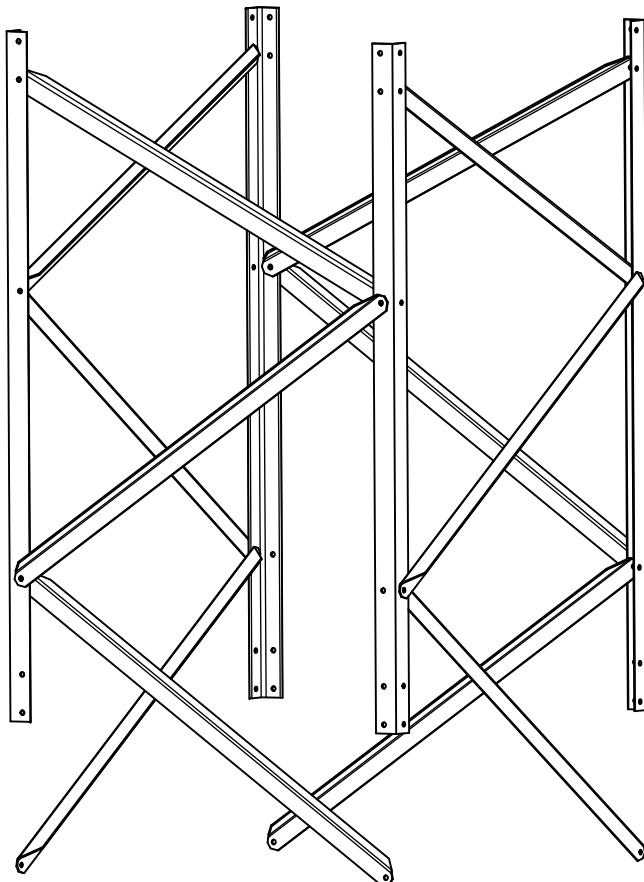


Parts List			
ITEM	QTY	PART NUMBER	STOCK NUMBER
1	4	64-L005 120 3-16 leg	120 x 3 x 3 x 3/16 I
3	3	64-C001 Cross angle	47 x 2 x 2 x 8 ga L
2	16	64-D007 diagonal	55.5 x 2 x 2 x 8 ga L
6	4	SS2008 Siderail Splice	12 x 2.5 x 2.5 x 8 ga L
7	8	SS0018 Siderail splice	12 x 2 x 8 ga
5	1	64-T001 tie brace	65.5 x 2 x 1 x 8 ga L
4	1	64-LC002 Ladder Cross bar	46.75 x 4.5 x 2 x 8 ga L
8	2	64-LB003 Ladder Bracket	9 x 1.5 x 12 ga LB
9	1		
10	1		
11	1		
12	1		

DRAWN Rex A Greene 4/6/2007		Greene Welding and Hardware Inc. Greene Galvanized Stairs 217/375/4244 www.greenebinstairs.com	
MFG		TITLE	
APPROVED		SIZE C	DWG NO 64401 40' Loop tower ht
		REV	
SHEET 4 OF 11			

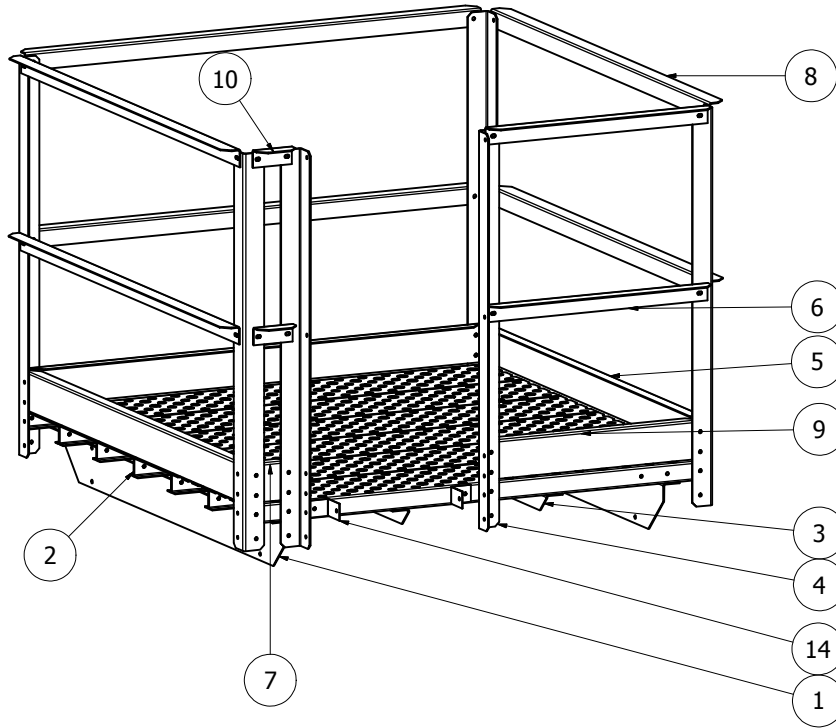
44306 6 ft top section

Parts List			
ITEM	QTY	PART NUMBER	STOCK NUMBER
1	4	64-L010 short top light leg	72 x 2.5 x 2.5 x 3/16 L
2	8	64-D007 diaagnoal	55.5 x 2 x 2 x 8 ga L
3	4	64-D009 top diagonal	52 x 2 x 2 x 8 ga L
4	40	7/16 x 1 x cs	
5	40	7/16 whiz nut	
6	1		
7	1		



DRAWN Rex A Greene 4/6/2007		Greene Welding and Hardware Inc. Greene Galvanized Stairs 217/375/4244 www.greenebinstairs.com	
MFG		TITLE	
APPROVED		SIZE	
		C	
		DWG NO	
		64401 40' tower	
		REV	
SHEET 5 OF 11			

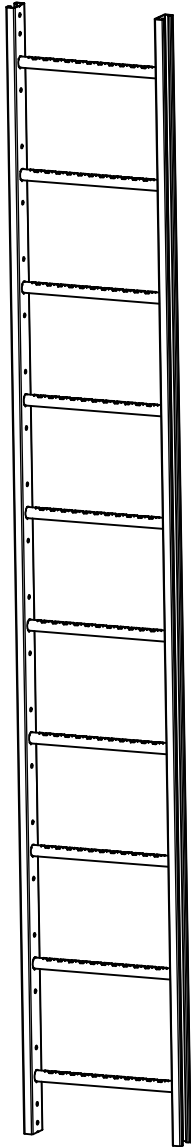
64550 5 x 5 top deck assy



Parts List			
ITEM	QTY	PART NUMBER	DESCRIPTION
1	2	64-TD0001 Mount Flange	60 x 6 x 2 x 8 ga
2	6	64-TD501 5ft deck	59.5 x 10 deck
3	2	64-TD009 Deck support	60 x 2 x 2 x 12 ga
4	6	64-TD502 Plat Post	47 x 2.5 x 2.5 x 10 ga
5	3	64-TD503 5' Kickboard	59 x 4.5 x 1.5 x 12 ga
6	2	64-TD506 Mid Handrail	29 x 4.5 x 1.5 x 12 ga
7	1	64-TD508 Short Kickboard	5.5 x 4.5 x 1.5 x 12 ga
8	6	64-TD005 5' handrail	58.5 x 2 x 2 x 12 ga
9	1	64-TD504 Mid Kickboard	28.5 x 2 x 2 x 12 ga
10	2	64-TD507 Short Handrail	5 x 2 x 2 x 12 ga
14	2	64-TD003 ladder bucket	
11	125	5/16 x 3/4 cap screw	
12	125	5/16 whiz nut	
13	60	5/16 Flat washer	

DRAWN Rex A Greene		4/6/2007		Greene Welding and Hardware Inc. Greene Galvanized Stairs 217/375/4244 www.greenebinstairs.com	
MFG				TITLE	
APPROVED				www.greenebinstairs.com	
		SIZE C	DWG NO 64401 40' Loop tower ht	REV	
				SHEET 6 OF 11	

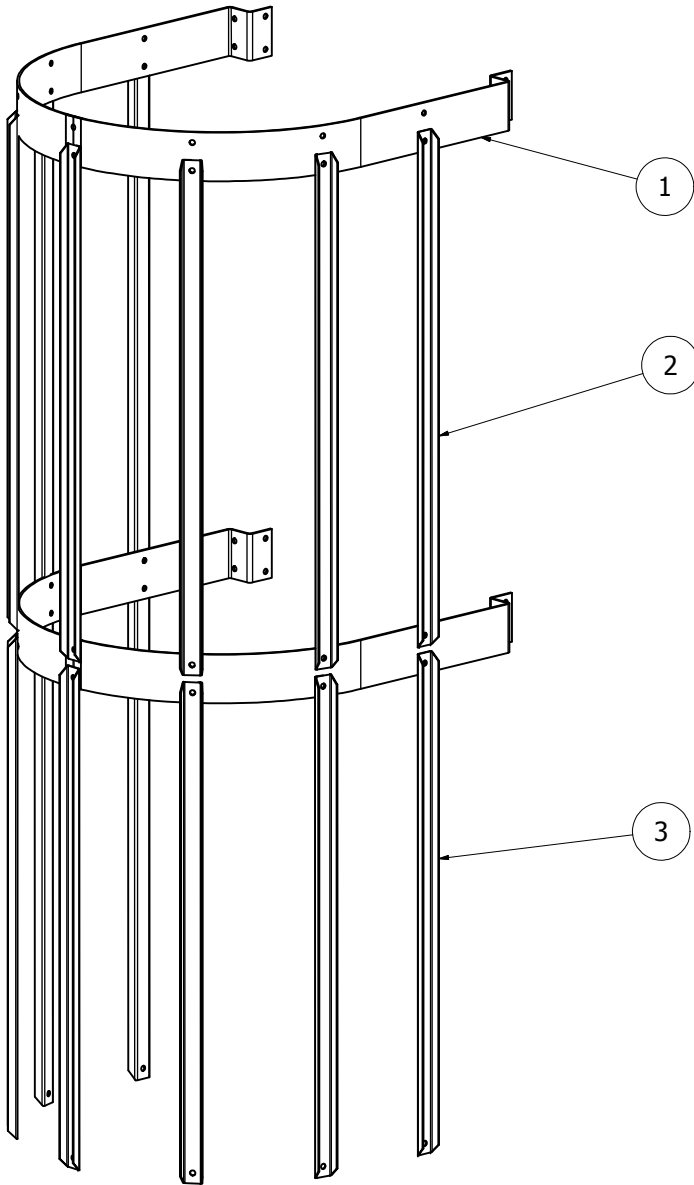
10' Sukup  
ladder section



PARTS LIST			
ITEM	QTY	PART NUMBER	DESCRIPTION
1	1	Sukup 120" ladder	
2	2	Sukup rail splice	
3	8	5/16 x 3/4 cs	
4	8	5/16 whiz nut	

DRAWN Rex A Greene 2/19/2010		Greene Welding and Hardware Inc.	
		Greene Galvanized Stairs	
		TITLE 217/375/4244 www.greenebinstairs.com	
MFG			
APPROVED			
		SIZE C	DWG NO 64401 40' loop tower
		REV	
SHEET 7 OF 11			

SP-123 Top safety cage

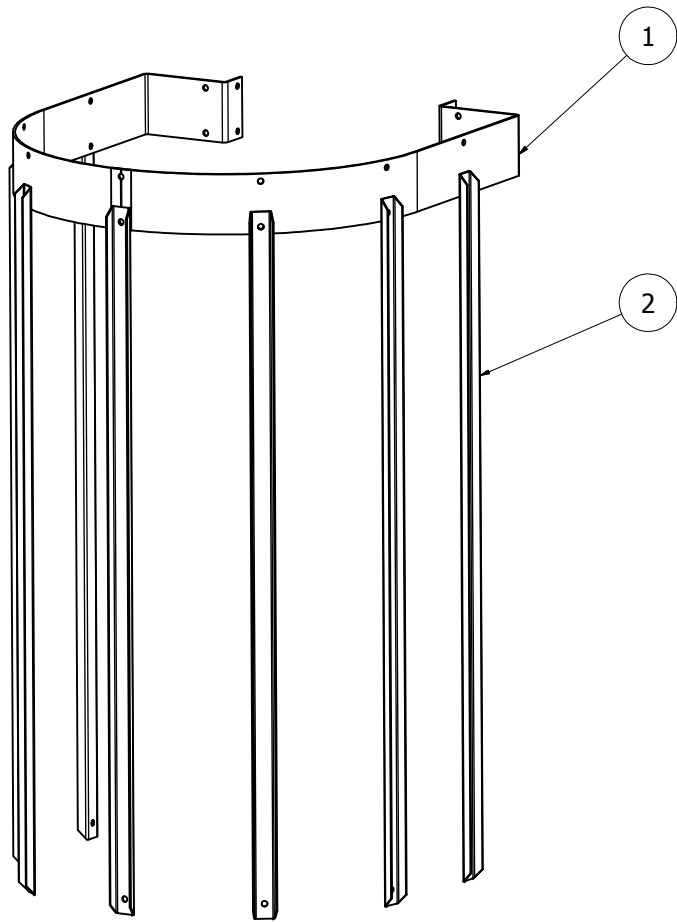


PARTS LIST			
ITEM	QTY	PART NUMBER	DESCRIPTION
1	4	SPC-002 Top hoop	
2	7	SPC-012 top upright	
3	7	SPC-113 mid upright	
4	17	5/16 x 3/4 cs	
5	17	5/16 whiz nut	

DRAWN Rex A Greene 2/19/2010		Greene Welding and Hardware Inc.	
		Greene Galvanized Stairs	
		TITLE 217/375/4244 www.greenebinstairs.com	
MFG			
APPROVED			
SIZE C	DWG NO 64401 40' loop tower	REV	
SHEET 8 OF 11			



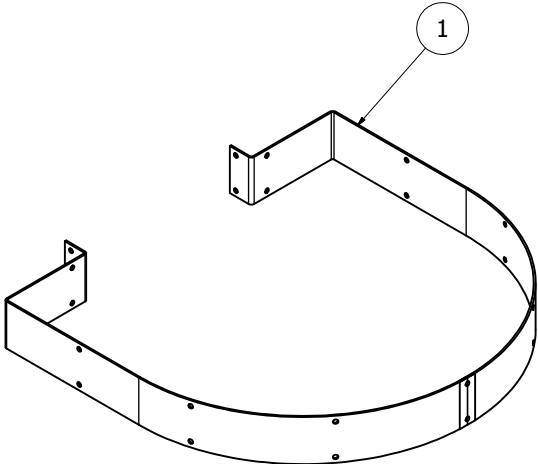
SP-C122 Safety cage main



PARTS LIST			
ITEM	QTY	PART NUMBER	DESCRIPTION
1	2	SPC-001	
2	7	SPC-111 main upright	
3	18	5/16 x 3/4 cs	
4	18	5/16 whiz nut	

DRAWN Rex A Greene 2/19/2010		Greene Welding and Hardware Inc.	
		Greene Galvanized Stairs	
		TITLE 217/375/4244 www.greenebinstairs.com	
MFG			
APPROVED			
		SIZE C	DWG NO 64401 40' loop tower
			REV
SHEET 9 OF 11			

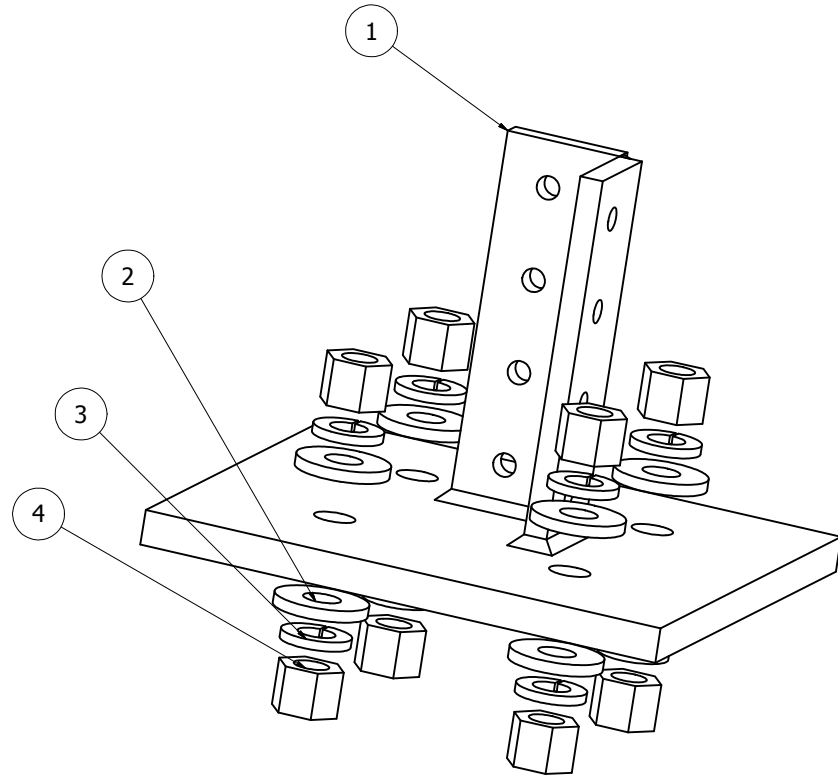
SP-C001 Safety cage flare



Parts List			
ITEM	QTY	PART NUMBER	DESCRIPTION
1	2	SPC-003 flare hoop	
2	9	5/16 x 3/4 cap screw	
3	9	5/16 whiz nut	

DRAWN Rex A Greene 4/6/2007		Greene Welding and Hardware Inc. Greene Galvanized Stairs 217/375/4244 www.greenebinstairs.com	
MFG		TITLE	
APPROVED		REV	
SIZE C		DWG NO 64401 40' Loop tower ht	
SHEET 10 OF 11			

Anchoring mount



Parts List			
ITEM	QTY	PART NUMBER	DESCRIPTION
1	1	64-AB001 Anchor base	
2	8	3-4 Heavy washer	
3	8	3-4 lock washer	
4	8	3-4 nut	

DRAWN Rex A Greene 4/6/2007		Greene Welding and Hardware Inc. Greene Galvanized Stairs 217/375/4244 www.greenebinstairs.com	
MFG		TITLE	
APPROVED		SIZE C	DWG NO 64401 40' Loop tower ht
		REV	
		SHEET 11 OF 11	