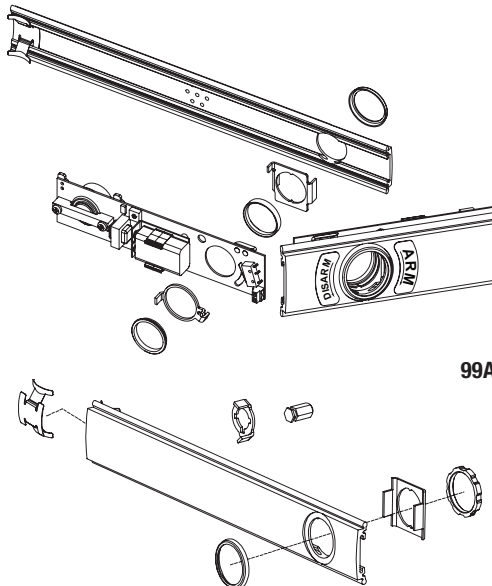


98/98 SERIES ACCESSORIES

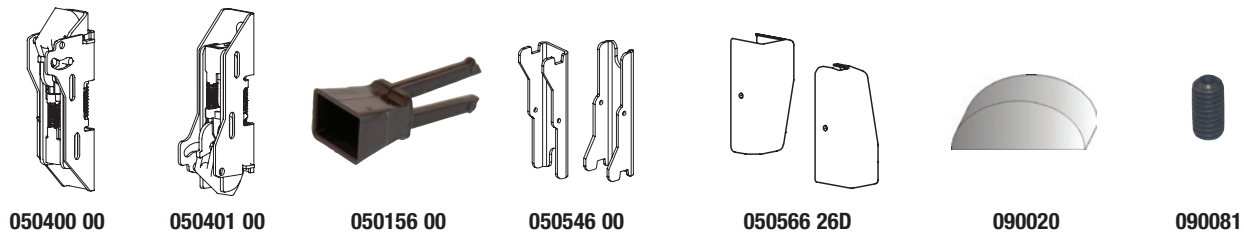


- Retrofit alarm kit for 99 devices to deter unauthorized use of an opening
- ALK kit contains a 85 decibel internal horn: When the touch bar is depressed, the horn sounds to signal that the opening has been violated
- Alarm kit can be armed or disarmed by key
- Uses a standard 1-1/4" mortise cylinder with a straight cam (not supplied)
- Operates on one standard 9 volt alkaline battery
- Furnished with a RX-request to exit switch
- Includes "EMERGENCY EXIT ONLY, ALARM WILL SOUND" decal
- It is recommended to use the non stock ALK-LX kit when used in conjunction with surface mount vertical exit devices

- 050115**
- Retrofit kit for cylinder dogging on 98/99 devices (except fire rate) to replace the standard hex key dogging unit
 - Requires a 1-1/4" mortise cylinder with straight cam (not supplied)

MFG #	DESCRIPTION	SERIES	EZ #
99ALK US28	Alarm Kit	99	069014
050115	Cylinder Dogging Kit	99 Except Fire Rated	029407
EXT ROD9927	12" Extension Rod Kit	9827 & 9927	047626

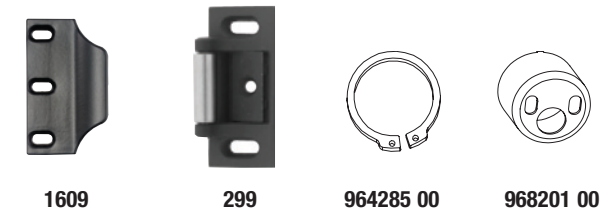
EXIT DEVICE PARTS (ALL SERIES)



050400 00 050401 00 050156 00 050546 00 050566 26D 090020 090081



090082 090083 090085 091080



1609 299 964285 00 968201 00



971573 00 968601 968603

MFG #	DESCRIPTION	SERIES	EZ #
050400 00	Top Latch Less Cover	9827, 9927	070621
050401 00	Bottom Latch Less Cover	9827, 9927	070620
050156 00	Tailpiece Guide Lead Kit	360, 990	070661
050546 00	Vertical Rod Latch Case Mounting Bracket	2227, 33/3527, 98/9927	070638
050566 26D	Latch Case Cover Kit	9827, 9927	070635
090020 00	Wedge	88	070697
090081	Wedge Tite Adapter Screw	55, 88	013715
090082	Lever Arm Axle Assembly	88	027733
090083	Dogging Screw	88	037257
090085	5/32" Hex Dogging Key	22, 98, 99	013749
091080	7/32" Hex Dogging Key	44, 88	013744
1609 26D	Double Door Strike	44, 55, 88, 98, 99	013728
299BLACK	Standard Door Strike	44, 55, 88, 98, 99	027626
964285 00	Truarc Retaining Ring	991, 992	073535
968201 00	Cylinder Retainer Cup	210, 990	070674
971573 00	Lift Spring	992	070678
968601 00	End Cap	22	070651
968603 SP28	Center Case Cover	22	073059

