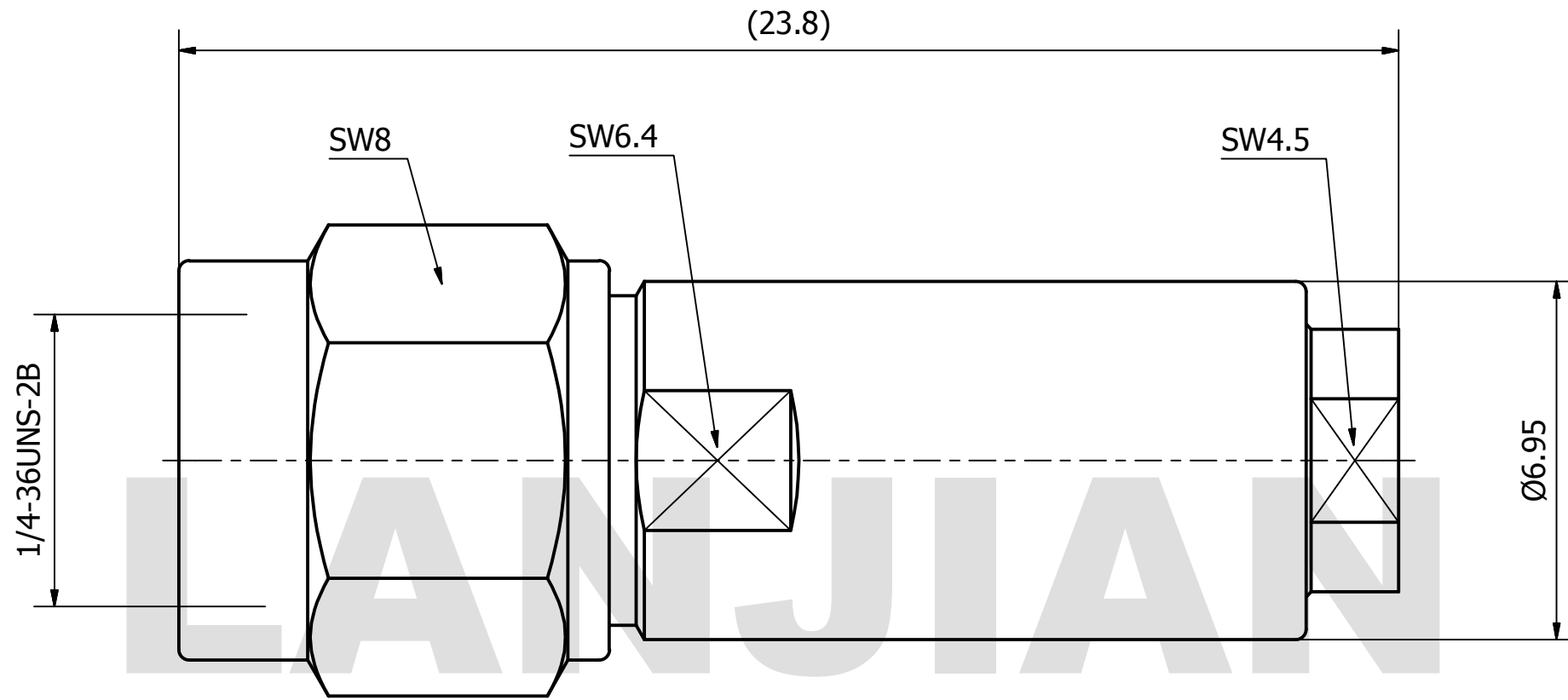


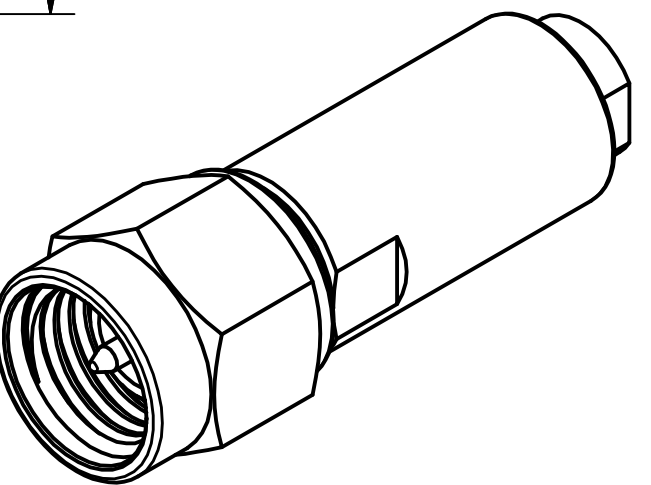
PRODUCT DATA SHEET



MATERIAL:
 BODY: STAINLESS STEEL PER AMS-5640,
 ALLOY UNS S30300
 CONTACT: BERYLLIUM COPPER PER ASTM B196.
 ALLOY NO. UNS C17300
 INSULATOR: PEI

PERFORMANCE:
 IMPEDANCE: 50 OHMS
 FREQUENCY: DC TO 33 GHz
 VSWR: ≤ 1.25

THIS DOCUMENT CONTAINS CONFIDENTIAL AND PROPRIETARY INFORMATION THAT CANNOT BE REPRODUCED OR DIVULGED, IN WHOLE OR IN PART, WITHOUT WRITTEN AUTHORIZATION FROM "LANJIAN ELECTRONICS"	MATERIAL :			<p style="font-size: 8px; margin: 0;">38 Hengtong Road, Xinqu Dingmao Zhenjiang, 212009, Jiangsu, P. R. China</p>
	UNLESS OTHERWISE SPECIFIED: DIMENSIONS IN MM			
	TOLERANCES :			
	X.X	± 0.20	ANGULAR : $\pm 1^\circ$	DEBURR AND BREAK SHARP EDGES
	X.XX	± 0.10	FILLETS R/C : ± 0.10	
	X.XXX	± 0.01	SURFACE FINISH : Ra 1.6	
	NAME	DATE	SIGNATURE	
DRAWN	YaoJiang	03/12/2019		
CHK'D	HongZhongYan	03/12/2019		
APPV'D	HongZhongYan	03/12/2019		
MFG				
PROJECTION		SIZE	SCALE	
		A3	8 : 1	
DO NOT SCALE THE DRAWING			REV. A	
PAGE			1 / 1	



3.5-J3506
straight pin cable connector

DWG No. GCPZ3.650.F.004