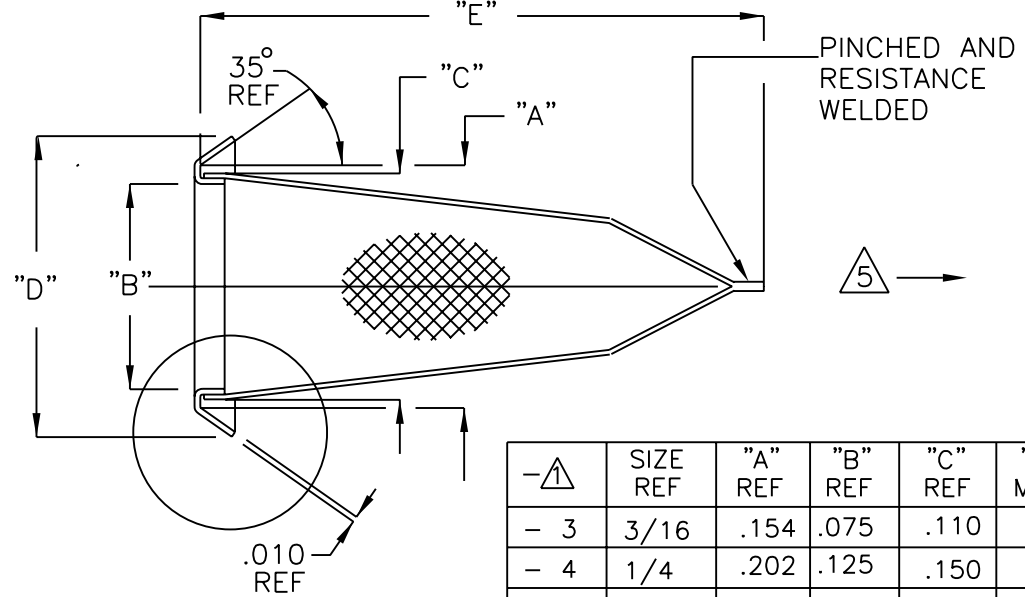
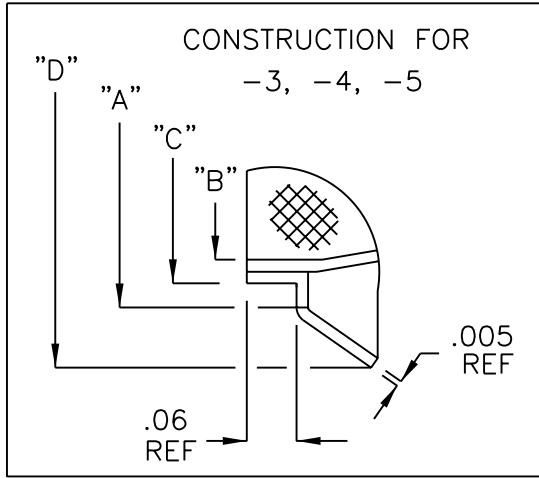


THIS DOCUMENT CONTAINS INFORMATION PROPRIETARY TO GENESIS FILTRATION CORPORATION. ANY REPRODUCTION, DISCLOSURE, OR USE OF THIS DOCUMENT IN WHOLE OR IN PART IS EXPRESSLY PROHIBITED EXCEPT AS GENESIS FILTRATION CORPORATION MAY OTHERWISE AGREE TO IN WRITING.

REVISIONS			
LTR	DESCRIPTION	DATE	APPROVED
A	ADDED NOTE 5	8-28-01	RC



-△ NOMINAL MICRON
2
10
17
40
70
105
140

-△	SIZE REF	"A" REF	"B" REF	"C" REF	"D" MAX	"E" REF	EFF. AREA SQ IN REF
- 3	3/16	.154	.075	.110	.30	.92	.19
- 4	1/4	.202	.125	.150	.31	.98	.27
- 5	5/16	.262	.170	.220	.41	1.04	.39
- 6	3/8	.325	.236	.285	.47	1.10	.52
- 8	1/2	.440	.331	.380	.64	1.37	.84
-10	5/8	.560	.420	.470	.75	1.57	1.17
-12	3/4	.680	.540	.590	.94	1.79	1.78
-16	1	.930	.780	.830	1.18	1.95	2.65
-20	1 1/4	1.150	.960	1.060	1.40	2.18	3.47

- △ PULL TEST CONE FROM FLANGE USING 6-7 LBS FOR WELD INTEGRITY 100%.
- 4. CONSTRUCTION: RESISTANCE WELDED.
- 3. FILTER MEDIA: SINTERED STAINLESS STEEL WOVEN WIRE MESH.
- △ SECOND DASH NUMBER SPECIFIES NOMINAL MICRON RATING.
- △ FIRST DASH NUMBER SPECIFIES TUBE SIZE

UNLESS OTHERWISE SPECIFIED		DO NOT SCALE THIS DWG. INTERPRET DWG PER IAW DOD-STD-1000 DIMS & TOLS. PER ANSI Y14.5		DFT BY: RC	6/25/01	<i>Genesis Filtration Inc.</i> 9757 7th STREET, UNIT 804 Rancho Cucamonga, CA 91730							
DIMENSIONS IN INCHES REMOVE ALL BURRS		SURFACE ROUGHNESS PER ANSI B46.1		DESIGN BY: RC	6/25/01					TITLE FILTER ASSEMBLY: 37 DEGREE FLANGE MOUNT			
MACHINE RADII .005/.015 R.		MATERIAL 300 SER		APPVD BY: RC	6/25/01								
BREAK ALL SHARP EDGES .002/.010 R.		FINISH		CUSTOMER NAME GENESIS STD		A	04AX3	30455-△-△	A				
DECIMALS .XX .XXX	FRAC	ANGLES		CUSTOMER P/N		SCALE	GFORME05 12/24/98	WEIGHT	SHEET OF				
±.01	±.005	±1/64	± 1°										