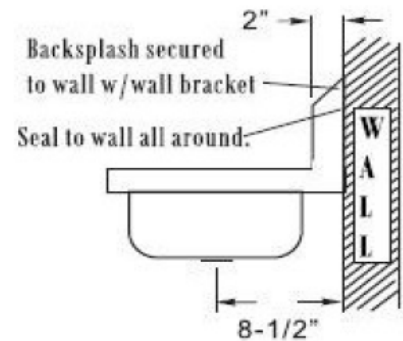
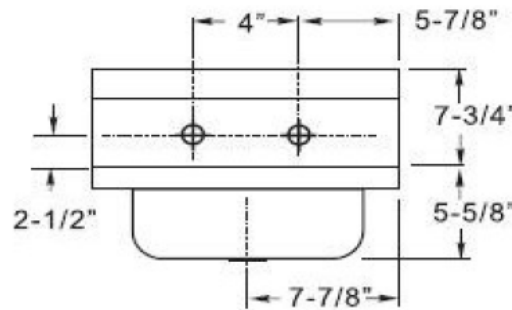
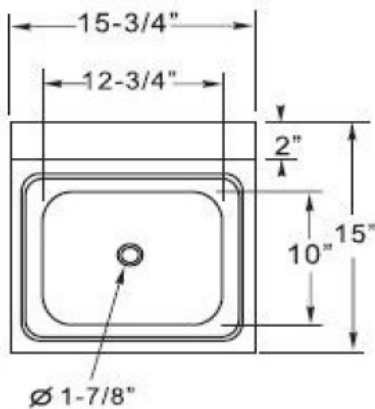


WICKETTS STAINLESS

Stainless Steel Hand Sink
WHS 1615-SSG LEAD FREE

SPECIFICATION



Product #	Description
WHS 1615-SSG	16 x 15 Wall Mount Hand Sink With Side Splashes Lead Free Faucet

Wicketts Stainless, LLC
2618 San Miguel Dr. Bldg. #376
Newport Beach, CA 92660
Tel. 951-858-2548
Fax. 951-638-9059
sales@wickettsstainless.com
www.wickettsstainless.com



M-080136

Approved for Manufacturing
Company: _____
Signature: _____
Print: _____ Date: ____/____/____