

LEGENDS/SYMBOLS

	FINISHED WOOD		PLYWOOD
	DIMENSION LUMBER		BATT INSULATION
	FACE BRICK		GROUT
	RIGID INSULATION		GLAZED TILE
	CUT STONE		MARBLE
	CONCRETE		ACOUSTICAL CEILING
	CONCRETE BLOCK		SHIM PACK
	STEEL IN SECTION		ALUMINUM

DENOTES BLOCKING OR SHIM. NOT CONTINUOUS. NOT NECESSARILY ONE PIECE & NOT BY THEUT GLASS

DENOTES BACKER ROD OR CAULK ROPE - N.B.E.

ANCHOR LOCATION

FASTENER LOCATION

DIMENSIONAL REFERENCE / ELEVATION

WORKING POINT

FIELD APPLIED SEALANT (NOT BY THEUT)

SHOP DRILL

FIELD DRILL

GLAZING INDICATION NUMBER

1
DETAIL NUMBER

301
SHEET NUMBER

C
113A
WINDOW NUMBER

A
WINDOW TYPE

1
REVISION NO. (SMALL TRIANGLE)

A
DOOR NUMBERS

A
4.01
ELEVATION LOCATION-VIEW POINT
ELEVATION MARK/TITLE
ELEVATION SHEET NUMBER

DENOTES NORTH DIRECTION

ABBREVIATIONS

A/C = ACCESS CONTROLLED	N.I.C. = NOT IN CONTRACT
A.F.F. = ABOVE FINISHED FLOOR	N.T.S. = NOT TO SCALE
B.O. = BY OTHERS	O.D. = OPENING DIMENSION
B.O.H. = BOTTOM OF HORIZONTAL	O.F.D. = OVERALL FRAME DIMENSION
CL = CENTER LINE	REF. = REFERENCE
DIM. = DIMENSION	R.O. = ROUGH OPENING
D.L.O. = DAYLIGHT OPENING	T.O.F.F. = TOP OF FINISHED FLOOR
D.L. = DEAD LOAD (ANCHOR)	T.O.H. = TOP OF HORIZONTAL
D.O. = DOOR OPENING	T.O.S. = TOP OF SLAB
EL. = ELEVATION	T.O.STL. = TOP OF STEEL
F.D. = FRAME DIMENSION	U.N.O. = UNLESS NOTED OTHERWISE
F.F. = FINISH FLOOR	W.C. = WEB CENTER
G.C. = GENERAL CONTRACTOR	W.D. = WINDOW DIMENSION
M.O. = MASONRY OPENING	W.L. = WIND LOAD (ANCHOR)
M.L. = MULLION LENGTH	W.P. = WORKING POINT
N.B.T.G. = NOT BY THEUT GLASS	

PINE SHADOWS ELEMENTARY

ARCHITECT:

ARCHITECT NAME AND ADDRESS

ERECTOR

CUSTOMER NAME AND ADDRESS

THE FOLLOWING DOCUMENTS WERE USED TO APPLY MANUFACTURERS CONFIRMED QUOTED JOB SCOPE TO THE JOB CONDITIONS.

ARCHITECTURAL DRAWINGS DATED 1/27/11 ISSUE FOR PROPOSALS

CUSTOMER TAKEOFF: NO

SPECIFICATIONS: FULL SET

ADDENDUM: ADDENDUMS 2, 3, 4 & 5

OTHER: SPECIFICATION SECTIONS 07 & 08

THE FOLLOWING IS A LIST OF ITEMS THAT DEVIATE FROM THE PROJECT SPECIFICATIONS. IF NO CHANGES ARE NOTED ON THE SHOP DRAWINGS OR TO COMMENTS SHOWN BELOW, MANUFACTURER WILL PRODUCE & SUPPLY MATERIAL AS OUTLINED IN THE APPROVED SUBMITTED SHOP DRAWINGS.

A
B
C
D
E
F
G
H
I
J

INDEX

SHEET NUMBER	DESCRIPTION
.01	COVER SHEET
.02	GLASS SCHEDULE
.03	DOOR SCHEDULE
1.01-1.09	FLOOR PLANS
2.01-2.49	ELEVATIONS
3.01-3.19	DETAILS
4.01-4.03	SUNSHADE DETAILS

PROJECT NAME AND ADDRESS

PROJECT NAME AND ADDRESS

PROJECT:	ARCHITECT:	DATE:
PROJECT NAME AND ADDRESS	GL	8/11/11
CUSTOMER:	CHECKED BY:	DATE:
	CCW	8/11/11
JOB NAME:		
PINE SHADOWS ELEMENTARY		
SHEET NO.:		
.01		

10/30/11	DATE
8/11/11	DATE
NO	DESCRIPTION
	DRAWING SUBMISSION

GENERAL INFORMATION

SEALANT DESCRIPTION:

TREMCO - CURTAINWALL SEALANT - BEDDING JOINT ASSEMBLY

TREMCO - DYMERIC 240 - COLOR TO BE SELECTED
EXTERIOR WEATHER SEAL JOINTS
INTERIOR JOINTS @ MASONRY

PECORA - AC-20 - COLOR TO BE SELECTED
INTERIOR PERIMETER JOINTS AT DRYWALL

SPECIAL NOTES:

- ALL WATER PROOFING MEMBRANE AND THRU WALL FLASHING IS SUPPLIED AND INSTALLED BY OTHERS

- ALL WOOD BLOCKING IS SUPPLIED AND INSTALLED BY OTHERS

PRODUCT TYPES

OLDCASTLE BE RELIANCE 2 1/2" X 6" CURTAIN WALL SYSTEM

FRONT SET TO ACCEPT 1" GLASS

(A) (A1)

OLDCASTLE BE RELIANCE 2 1/2" X 7 1/4" CURTAIN WALL SYSTEM

FRONT SET TO ACCEPT 1" GLASS

(12) (13) (17) (25) (26) (28) (30) (31) (32) (33) (34) (35) (36) (C) (D) (G) (M) (P)

OLDCASTLE BE CW250 2 1/2" X 6 1/4" CURTAIN WALL SYSTEM

FRONT SET TO ACCEPT 1/4" GLASS

(10) (11) (27) (29) (E) (PP) (JJ) (KK)

OLDCASTLE BE 3000 2" X 4 1/2" STOREFRONT SYSTEM

CENTER SET TO ACCEPT 1" GLASS

(16) (19) (22) (B) (F) (H) (J) (K) (L) (N) (RR)

OLDCASTLE BE 2000 1 3/4" X 4 1/2" STOREFRONT SYSTEM

CENTER SET TO ACCEPT 1/4" GLASS

(1) (7) (8) (9) (14) (15) (18) (19A) (23) (24) (AA) (BB) (CC) (DD) (EE) (HH) (LL) (MM) (NN) (OO) (QQ)

INTERIOR SLIDERS

METAL CRAFT SERVICE SLIDERS

1/4" GLASS

(SG1) (SG2) (SG3)

FINISH TYPE AND COLOR:

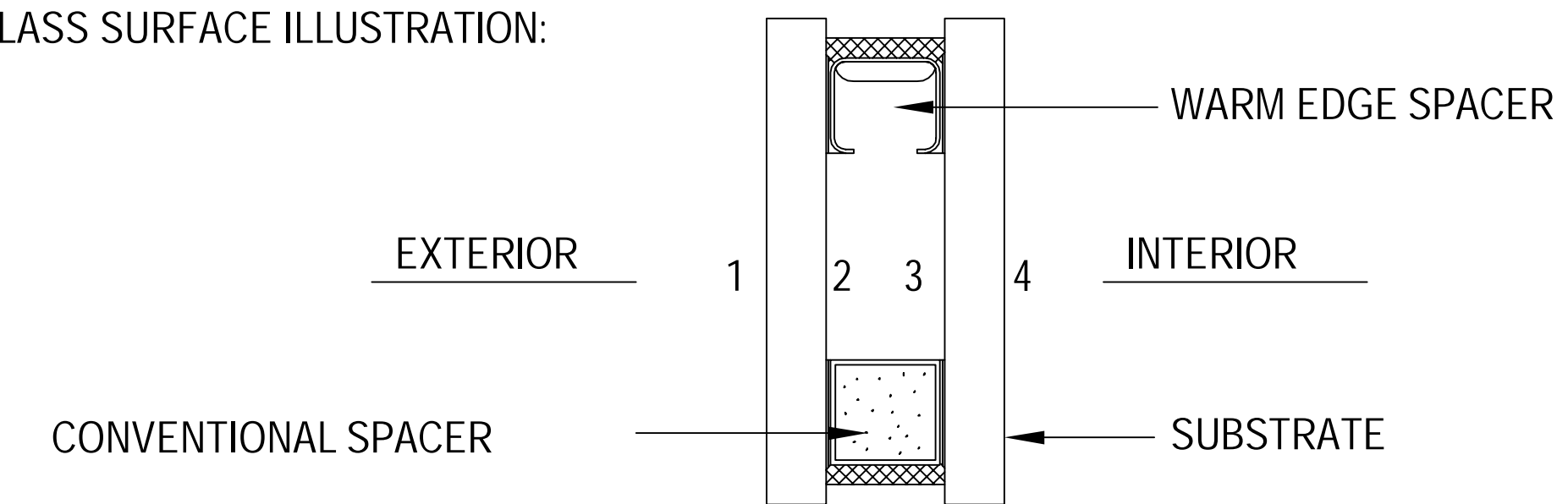
CLEAR ANODIZED

CLASS 1 ON CURTAINWALL, STOREFRONT AND STOREFRONT DOORS

CLASS 2 ON INTERIOR SLIDING WINDOWS

GLASS SCHEDULE

GLASS SURFACE ILLUSTRATION:



GLAZING TYPE	DESCRIPTION
(1/4)	1/4" VISION CLEAR TEMPERED (INTERIOR GLASS) 1/4" CLEAR TEMPERED GLASS
(1/4S)	1/4" SPANDREL CLEAR TEMPERED (INTERIOR GLASS) 1/4" CLEAR TEMPERED GLASS WITH SOLEX FRIT ON #2 SURFACE
(DG)	1/4" VISION ATLANTICA TEMPERED (EXTERIOR DOOR GLASS) 1/4" ATLANTICA (SOLAR GREEN) TEMPERED GLASS
(1)	1" VISION ATLANTICA TEMPERED - EXTERIOR OUTBOARD - 1/4" ATLANTICA VT TEMPERED WITH SOLARBAN 60 ON #2 SURFACE MILL SPACER - SILICONE - 1/2" AIRSPACE INBOARD - 1/4" CLEAR TEMPERED
(1S)	1" SPANDREL TEMPERED (EXTERIOR GLASS) OUTBOARD - 1/4" ATLANTICA TEMPERED MILL SPACER - SILICONE - 1/2" AIRSPACE INBOARD - 1/4" CLEAR TEMPERED WITH SOLEX FRIT ON #4 SURFACE
(1L)	1" VISION TEMPERED / LAMINATED (AT ELEVATOR) OUTBOARD - 1/4" ATLANTICA (SOLAR GREEN) TEMPERED WITH SOLARBAN 60 ON #2 SURFACE MILL SPACER - SILICONE - 1/2" AIRSPACE INBOARD - 1/8" CLEAR TEMPERED - .060 CLR. PVB - 1/8" CLEAR TEMPERED

ARCHITECT NOTE: PLEASE VERIFY ALL GLASS TYPES AND LOCATIONS ON THE BUILDING

PROJECT NAME AND ADDRESS

PROJECT NAME AND ADDRESS

PROJECT:

DRAWN BY: GL

CHECKED BY: CCW

JOB NAME:

SHEET NO:

ARCHITECT:

DATE: 8/11/11

DATE: 8/11/11

CUSTOMER:

PINE SHADOWS ELEMENTARY

DESCRIPTION

NO

DATE

10/30/11

8/11/11

DATE

DRAWING SUBMISSION

DOOR SCHEDULE 1ST FLOOR AREA "A"						
DOOR NUMBER	HW #	HAND	DOOR OPENING	FRAME	FRAMING	DOOR TYPE
A110	18	LH	3'-0" X 7'-0"	1-LHSI	2000	BY OTHERS
A111	18	RH	3'-0" X 7'-0"	8	2000	BY OTHERS
A112	02	PAIR	6'-0" X 6'-11"	25	RELIANCE	F.G.I.R.
A113	18	LH	3'-0" X 7'-0"	7	2000	BY OTHERS
A114	18	RH	3'-0" X 7'-0"	8	2000	BY OTHERS
A115	18	LH	3'-0" X 7'-0"	7	2000	BY OTHERS
A116	18	RH	3'-0" X 7'-0"	8	2000	BY OTHERS
A117	18	LH	3'-0" X 7'-0"	7	2000	BY OTHERS
A118	18	RH	3'-0" X 7'-0"	8	2000	BY OTHERS
A123	04	PAIR	6'-0" X 6'-11"	36	RELIANCE	F.G.I.R.
A134	06	LH	3'-0" X 6'-11"	27	CW-250	F.G.I.R.
A135	04	PAIR	6'-0" X 6'-11"	33	RELIANCE	F.G.I.R.
A136A	18	RHR (LH)	3'-0" X 7'-0"	1-LHSO	2000	BY OTHERS
A136B	18	LHR (RH)	3'-0" X 7'-0"	1-RHSO	2000	BY OTHERS

DOOR SCHEDULE 1ST FLOOR AREA "B"						
DOOR NUMBER	HW #	HAND	DOOR OPENING	FRAME	FRAMING	DOOR TYPE
B100A	01	PAIR	6'-0" X 6'-11"	28	RELIANCE	F.G.I.R.
B100B	01	PAIR	6'-0" X 6'-11"	28	RELIANCE	F.G.I.R.
B100C	07	PAIR	6'-0" X 6'-11"	29	CW-250	F.G.I.R.
B100D	08	PAIR	6'-0" X 6'-11"	29	CW-250	F.G.I.R.
B100E	50	SLIDING	SEE ELEVATION	SG1	MS-360	S.G.
B101A	03	PAIR	6'-0" X 6'-11"	32	RELIANCE	F.G.I.R.
B102	21	LH	3'-0" X 7'-0"	1-LHSI	2000	BY OTHERS
B110B	18	RH	3'-0" X 7'-0"	1-RHSI	2000	BY OTHERS
B118	21	LH	3'-0" X 7'-0"	1-LHSI	2000	BY OTHERS
B121	32	RHR (LH)	3'-0" X 7'-0"	1-LHSO	2000	BY OTHERS
B122	18	LH	3'-0" X 7'-0"	1-LHSI	2000	BY OTHERS
B126	02	PAIR	6'-0" X 6'-11"	30	RELIANCE	F.G.I.R.
B127	22	RH	3'-0" X 7'-0"	8	2000	BY OTHERS
B128	22	LH	3'-0" X 7'-0"	9	2000	BY OTHERS
B133A	18	LH	3'-0" X 7'-0"	7	2000	BY OTHERS
B133B	05	RHR (LH)	4'-0" X 7'-2"	19	3000	F.G.I.R.
B144A	07	PAIR	6'-0" X 6'-11"	11	CW-250	F.G.I.R.
B144B	07	PAIR	6'-0" X 6'-11"	10	CW-250	F.G.I.R.
B144C	01	PAIR	6'-0" X 6'-11"	12	RELIANCE	F.G.I.R.
B144D	01	PAIR	6'-0" X 6'-11"	13	RELIANCE	F.G.I.R.

DOOR SCHEDULE 1ST FLOOR AREA "C"						
DOOR NUMBER	HW #	HAND	DOOR OPENING	FRAME	FRAMING	DOOR TYPE
C100A	18	RH	3'-0" X 7'-0"	1-RHSI	2000	BY OTHERS
C101	18	LH	3'-0" X 7'-0"	7	2000	BY OTHERS
C102	01	PAIR	6'-0" X 6'-11"	26	RELIANCE	F.G.I.R.
C103	18	RH	3'-0" X 7'-0"	8	2000	BY OTHERS
C104	18	LH	3'-0" X 7'-0"	7	2000	BY OTHERS
C105	18	RH	3'-0" X 7'-0"	8	2000	BY OTHERS
C106	18	LH	3'-0" X 7'-0"	7	2000	BY OTHERS
C107	18	RH	3'-0" X 7'-0"	8	2000	BY OTHERS
C108	18	LH	3'-0" X 7'-0"	7	2000	BY OTHERS
C112A	01	PAIR	6'-0" X 6'-11"	31	RELIANCE	F.G.I.R.
C112B	01	PAIR	6'-0" X 6'-11"	33	RELIANCE	F.G.I.R.
C113	04	PAIR	6'-0" X 6'-11"	36	RELIANCE	F.G.I.R.
C118	32	RH	3'-0" X 7'-0"	24	2000	F.G.I.R.
C122	09	LHR (RH)	3'-0" X 7'-0"	23	2000	F.G.I.R.

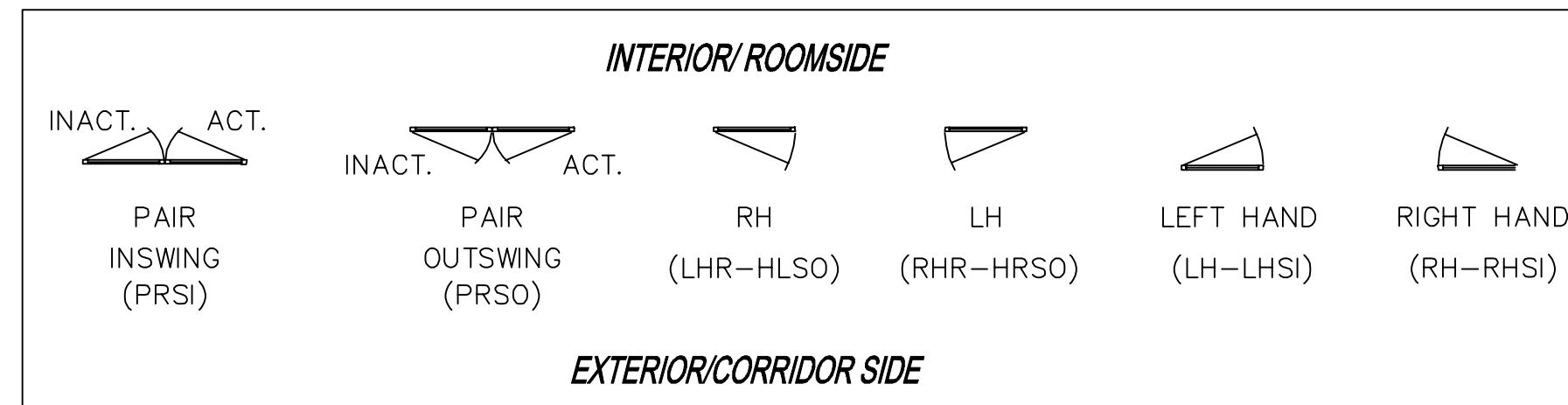
DOOR SCHEDULE 1ST FLOOR AREA "D"						
DOOR NUMBER	HW #	HAND	DOOR OPENING	FRAME	FRAMING	DOOR TYPE
D101	18	RH	3'-0" X 7'-0"	1-RHSI	2000	BY OTHERS
D103	18	RH	3'-0" X 7'-0"	18	2000	BY OTHERS
D104	18	LH	3'-0" X 7'-0"	9	2000	BY OTHERS
D107	18	LH	3'-0" X 7'-0"	7	2000	BY OTHERS
D109A	01	PAIR	6'-0" X 6'-11"	35	RELIANCE	F.G.I.R.
D109B	03	PAIR	6'-0" X 6'-11"	34	RELIANCE	F.G.I.R.
D109C	50	SLIDING	SEE ELEVATION	SG2	MS-360	S.G.
D110B	01	PAIR	6'-0" X 6'-11"	17	RELIANCE	F.G.I.R.
D114A	05	LHR (RH)	3'-0" X 7'-2"	22	3000	F.G.I.R.
D114B	18	RH	3'-0" X 7'-0"	8	2000	BY OTHERS
D115A	11	LH	3'-0" X 7'-0"	14	2000	F.G.I.R.
D115C	11	RH	3'-0" X 7'-0"	15	2000	F.G.I.R.
D115D	11	LHR (LH)	4'-0" X 7'-0"	19A	2000	F.G.I.R.
D129	01	PAIR	6'-0" X 7'-0"	16	3000	F.G.I.R.

DOOR SCHEDULE 2ND FLOOR AREA "A"						
DOOR NUMBER	HW #	HAND	DOOR OPENING	FRAME	FRAMING	DOOR TYPE
A200	18	LH	3'-0" X 7'-0"	1-LHSI	2000	BY OTHERS
A201A	18	RH	3'-0" X 7'-0"	8	2000	BY OTHERS
A202	18	LH	3'-0" X 7'-0"	7	2000	BY OTHERS
A203	18	RH	3'-0" X 7'-0"	8	2000	BY OTHERS
A204	31	RH	3'-0" X 7'-0"	1-RHSI	2000	BY OTHERS
A205	18	LH	3'-0" X 7'-0"	7	2000	BY OTHERS
A206	18	RH	3'-0" X 7'-0"	8	2000	BY OTHERS
A207	18	LH	3'-0" X 7'-0"	7	2000	BY OTHERS
A208	18	RH	3'-0" X 7'-0"	8	2000	BY OTHERS
A209	31	LHR (RH)	3'-0" X 7'-0"	1-RHSO	2000	BY OTHERS

DOOR SCHEDULE 2ND FLOOR AREA "B"						
DOOR NUMBER	HW #	HAND	DOOR OPENING	FRAME	FRAMING	DOOR TYPE
B200	18	LH	3'-0" X 7'-0"	7	2000	BY OTHERS
B201	18	RH	3'-0" X 7'-0"	8	2000	BY OTHERS
B202	18	LH	3'-0" X 7'-0"	7	2000	BY OTHERS
B203A	18	RH	3'-0" X 7'-0"	8	2000	BY OTHERS
B204	31	RH	3'-0" X 7'-0"	1-RHSI	2000	BY OTHERS
B208	18	RH	3'-0" X 7'-0"	8	2000	BY OTHERS

DOOR SCHEDULE 2ND FLOOR AREA "C"						
DOOR NUMBER	HW #	HAND	DOOR OPENING	FRAME	FRAMING	DOOR TYPE
C200A	18	RH	3'-0" X 7'-0"	1-RHSI	2000	BY OTHERS
C201	18	LH	3'-0" X 7'-0"	7	2000	BY OTHERS
C204	18	RH	3'-0" X 7'-0"	8	2000	BY OTHERS
C205	18	LH	3'-0" X 7'-0"	7	2000	BY OTHERS
C206	18	RH	3'-0" X 7'-0"	8	2000	BY OTHERS
C208	18	LH	3'-0" X 7'-0"	7	2000	BY OTHERS
C209	18	RH	3'-0" X 7'-0"	8	2000	BY OTHERS
C210	18	LH	3'-0" X 7'-0"	7	2000	BY OTHERS
C212	18	RH	3'-0" X 7'-0"	1-RHSI	2000	BY OTHERS
C213	34	LHR (RH)	3'-0" X 7'-0"	1-LHSO	2000	BY OTHERS

DOOR SCHEDULE 2ND FLOOR AREA "D"						
DOOR NUMBER	HW #	HAND	DOOR OPENING	FRAME	FRAMING	DOOR TYPE
D200	18	RH	3'-0" X 7'-0"	8	2000	BY OTHERS
D201	18	LH	3'-0" X 7'-0"	7	2000	BY OTHERS
D202	18	RH	3'-0" X 7'-0"	8	2000	BY OTHERS
D203	18	LH	3'-0" X 7'-0"	7	2000	BY OTHERS
D206	18	RH	3'-0" X 7'-0"	8	2000	BY OTHERS
D207A	18	LH	3'-0" X 7'-0"	7	2000	BY OTHERS
D208	50	SLIDING	SEE ELEVATION	SG3	MS-360	S.G.



DOOR NOTES:

1) ALL HARDWARE IS SUPPLIED BY OTHERS. THEUT GLASS WILL PREP AND INSTALL THE HARDWARE PER THE APPROVED HARDWARE SCHEDULE. AN APPROVED HARDWARE SCHEDULE MUST BE SUPPLIED. ANY DELAY IN RECEIVING AN APPROVED HARDWARE SCHEDULE WILL RESULT IN A DIRECT DELAY OF THE DOOR FABRICATION.

2) ALL HARDWARE MUST BE SUPPLIED TO THEUT GLASS. PLEASE MARK EACH BOX CLEARLY WITH DOOR NUMBERS. ANY DELAY IN RECEIVING THE HARDWARE WILL RESULT IN A DIRECT DELAY IN DOOR SHIPMENT.

DOOR DESCRIPTIONS:

1) F.G. - OLDCASTLE B.E. WIDE STILE ALUMINUM FULL GLASS DOOR WITH 8" BOTTOM RAIL, 4" TOP RAIL TO ACCEPT 1/4" GLASS.

2) F.G.I.R. (INTERMEDIATE RAIL) - OLDCASTLE B.E. WIDE STILE ALUMINUM FULL GLASS DOOR WITH 8" BOTTOM RAIL, 4" TOP RAIL & 4" MID RAIL TO ACCEPT 1/4" GLASS.

3) BY OTHERS - PLAM, WOOD OR HOLLOW METAL DOORS SUPPLIED AND INSTALLED BY OTHERS. THEUT GLASS WILL PREP FRAMES ONLY FOR HINGES AND STRIKES FOR THESE DOORS. HINGE AND STRIKE LOCATION WILL NEED TO BE PROVIDED PRIOR TO FRAME FABRICATION. ANY DELAY IN RECEIVING HINGE AND STRIKE LOCATION WILL RESULT IN A DIRECT DELAY IN DOOR FRAME SHIPMENT.

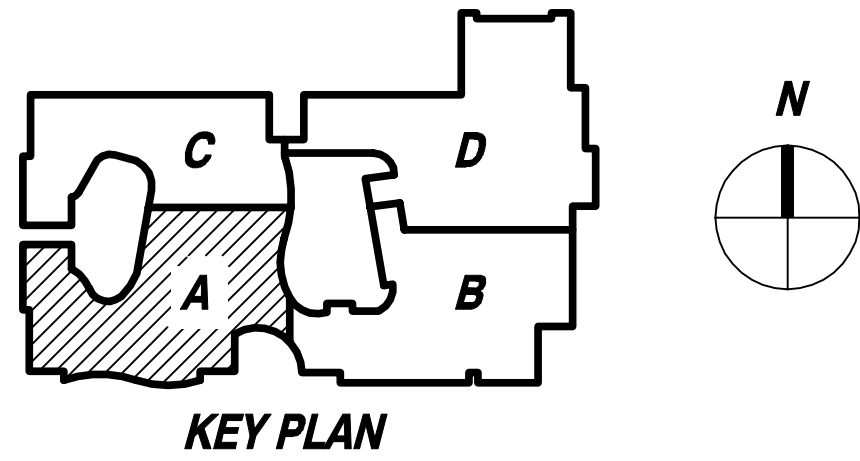
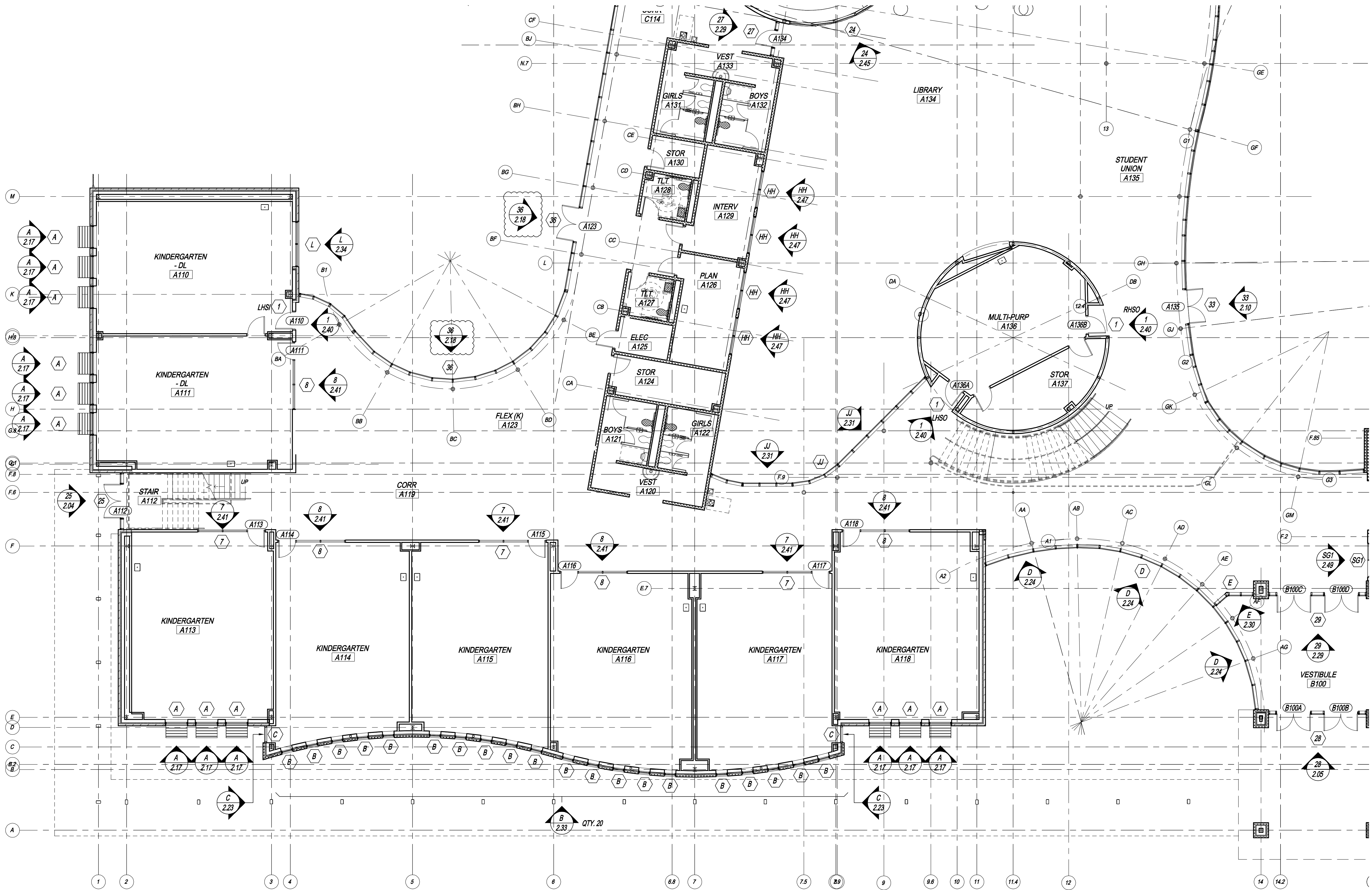
3) S.G. (SLIDING WINDOW) - OLDCASTLE BE MS-360 MALL SLIDER.

PROJECT NAME AND ADDRESS

PROJECT NAME AND ADDRESS

10/30/11	1ST. REVISION	NO
8/11/11	1ST. SUBMISSION	NO
	DESCRIPTION	
	DATE	
	DRAWING SUBMISSION	

PROJECT:	ARCHITECT:	CUSTOMER:
DRAWN BY: GL	DATE: 8/11/11	
CHECKED BY: CCW	DATE: 8/11/11	
JOB NAME:	PINE SHADOWS ELEMENTARY	
SHEET NO.:	.03	



FIRST LEVEL FLOOR PLAN - AREA A

NTS ARCHITECTURAL REFERENCE A111

ARCH / G.C. NOTE:

FLOOR PLANS ARE PROVIDED FOR OPENING TYPE LOCATION ONLY. REFER TO SPECIFIC MARK ELEVATIONS FOR SIZE REFERENCE DIMENSIONING, MULLION SPACING, ETC.

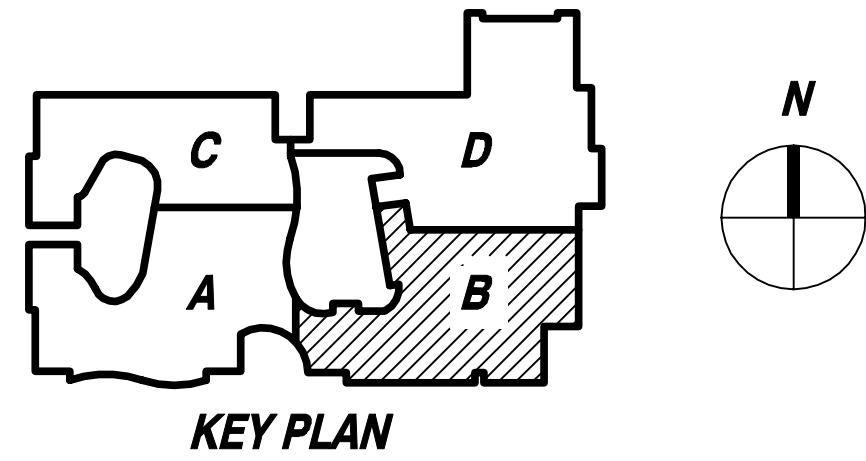
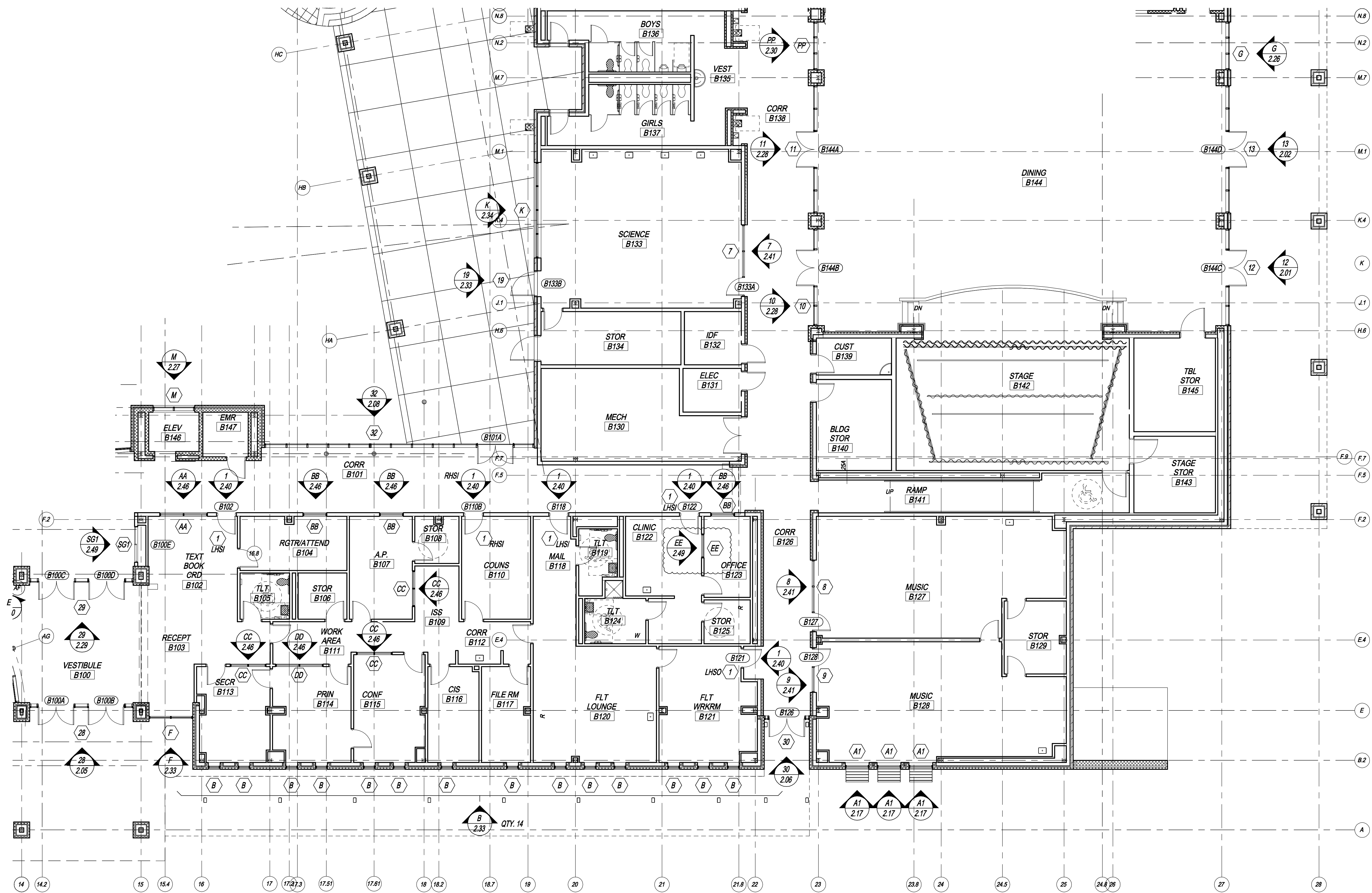
PROJECT NAME AND ADDRESS

PROJECT NAME AND ADDRESS

PROJECT	ARCHITECT	DATE
DRWN BY: GL	ARCHITECT: PINE SHADOWS	DATE: 8/11/11
CHECKED BY: CCW	CUSTOMER:	DATE: 8/11/11
JOB NAME: PINE SHADOWS ELEMENTARY		
SHEET NO.: 1.01		

NO	DESCRIPTION	DATE
1	1ST. SUBMISSION	8/11/11
2	1ST. REVISION	10/30/11

DRAWING SUBMISSION



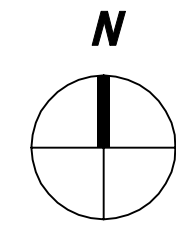
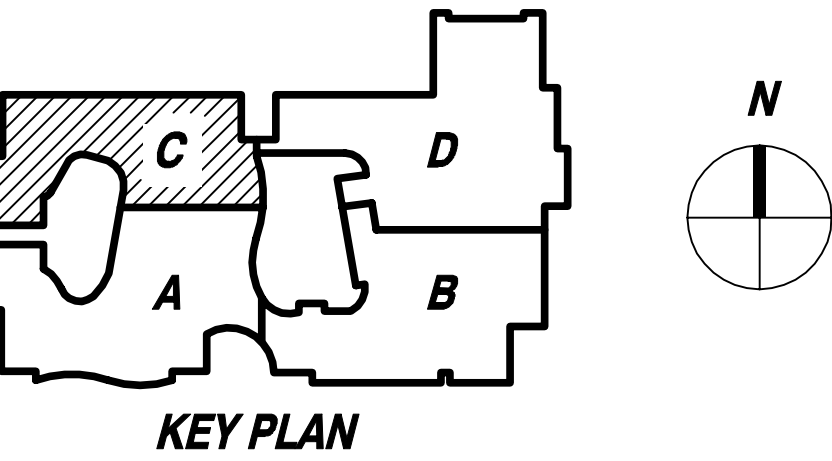
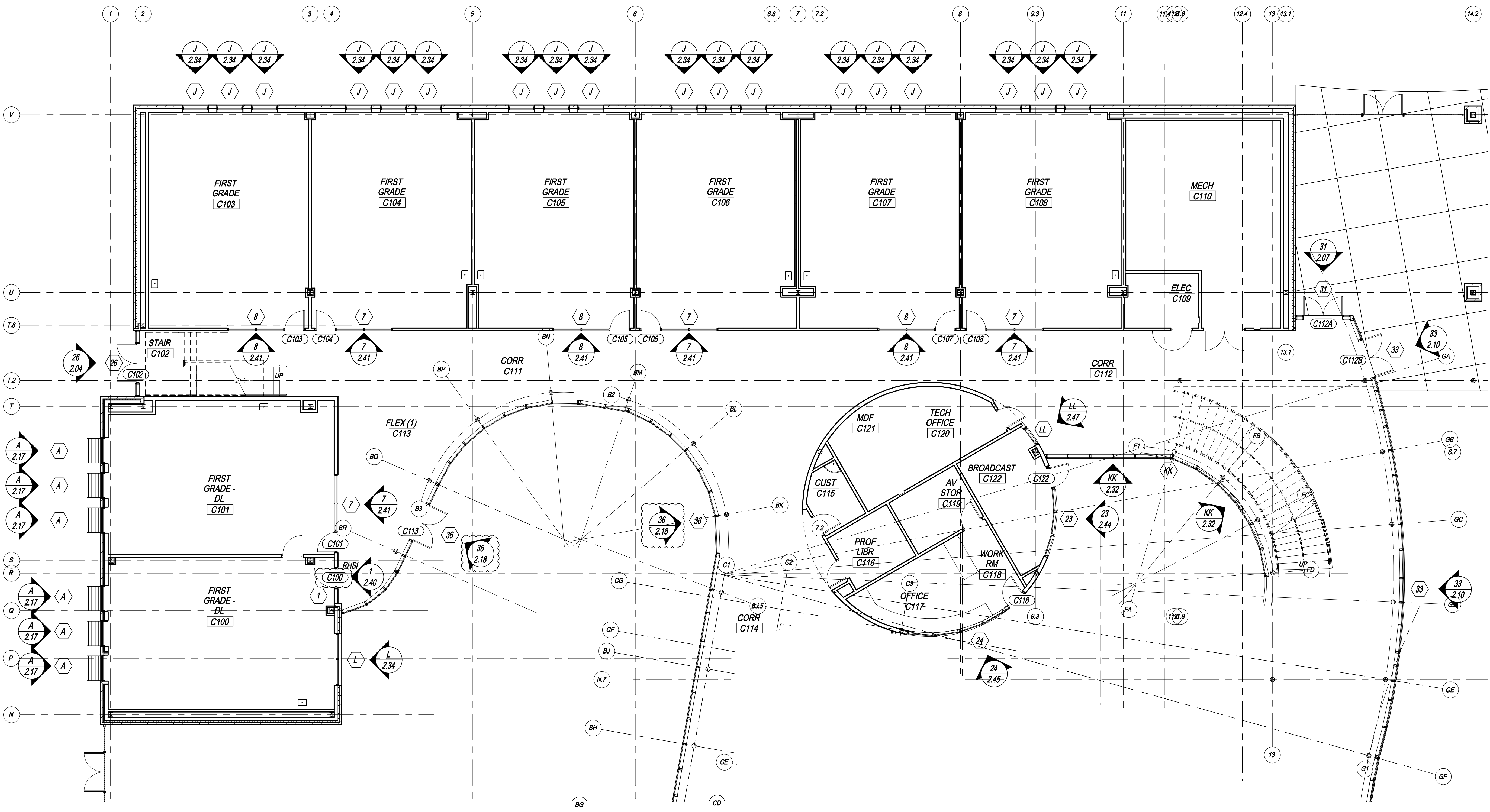
FIRST LEVEL FLOOR PLAN - AREA B

NTS ARCHITECTURAL REFERENCE A112

ARCH / G.C. NOTE:

FLOOR PLANS ARE PROVIDED FOR OPENING TYPE LOCATION ONLY. REFER TO SPECIFIC MARK ELEVATIONS FOR SIZE REFERENCE DIMENSIONING, MULLION SPACING, ETC.

PROJECT NAME AND ADDRESS		PROJECT NAME AND ADDRESS	
PROJECT	PROJECT NAME AND ADDRESS	PROJECT	PROJECT NAME AND ADDRESS
DRAWN BY	GL	DATE	8/11/11
CHECKED BY	CW	DATE	8/11/11
JOB NAME:	PINE SHADOWS ELEMANTARY		
SHEET NO.:	1.02		
ARCHITECT:	ARCHITECT	DATE	10/30/11
CUSTOMER:	CUSTOMER	DESCRIPTION	1ST. SUBMISSION
		NO	NO
		DESCRIPTION	1ST. SUBMISSION
		DATE	8/11/11
		DATE	10/30/11
		DESCRIPTION	1ST. SUBMISSION
		NO	NO
		DESCRIPTION	1ST. SUBMISSION
		DATE	8/11/11
		DATE	10/30/11

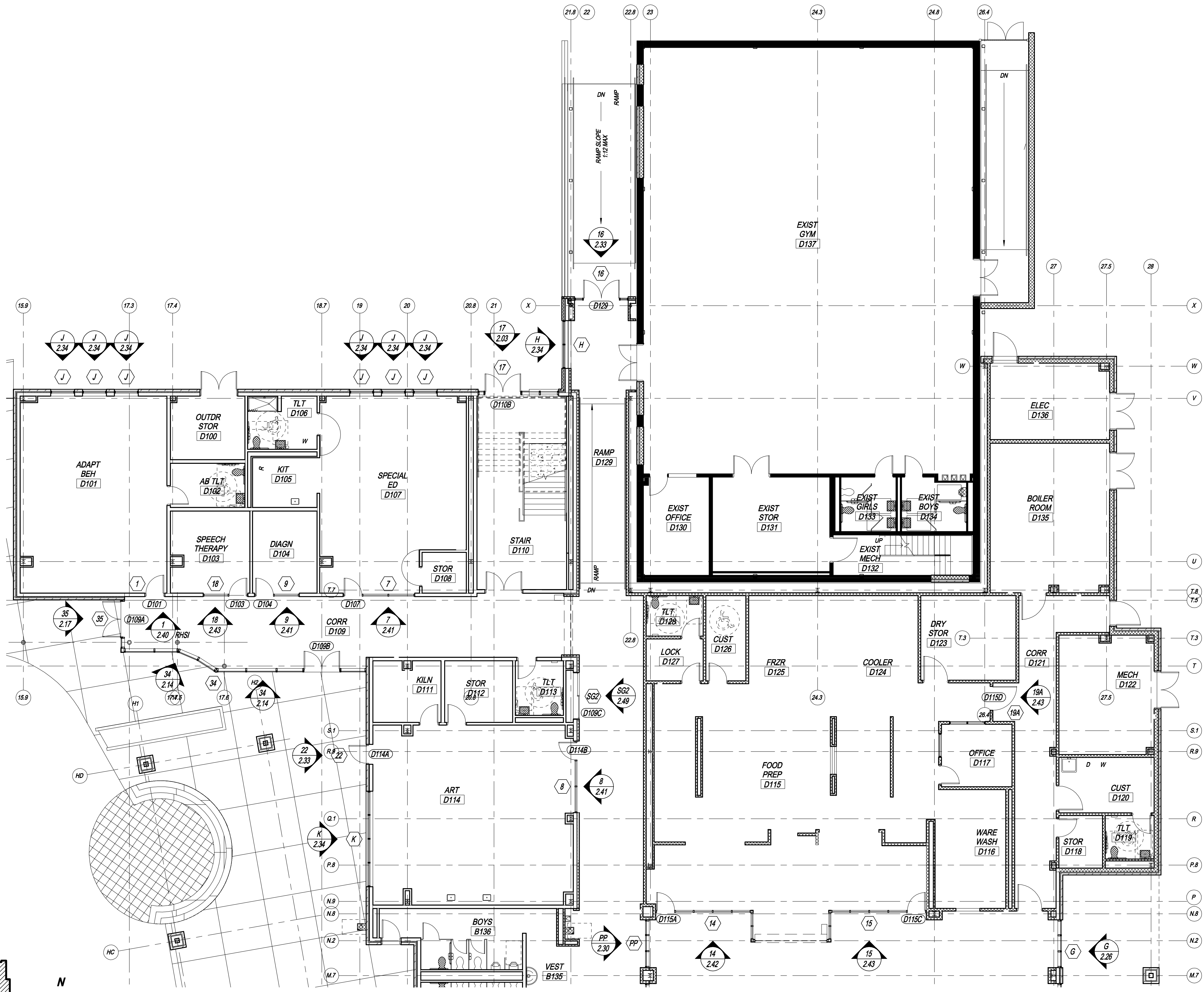
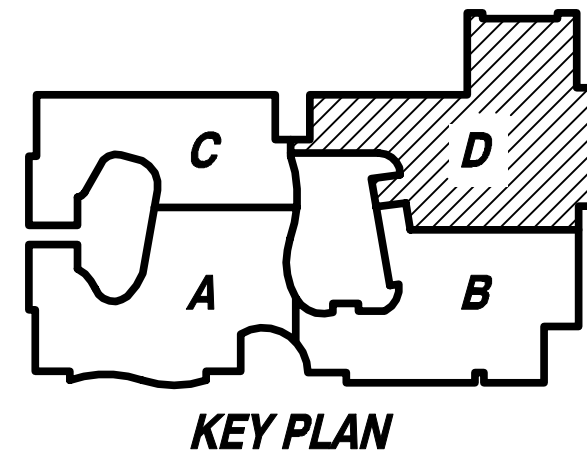


FIRST LEVEL FLOOR PLAN - AREA C
 NTS ARCHITECTURAL REFERENCE A113

ARCH / G.C. NOTE:

FLOOR PLANS ARE PROVIDED FOR OPENING TYPE LOCATION ONLY. REFER TO SPECIFIC MARK ELEVATIONS FOR SIZE REFERENCE DIMENSIONING, MULLION SPACING, ETC.

PROJECT PROJECT NAME AND ADDRESS	NO.	DESCRIPTION	DATE
	10/30/11	1ST. REVISION	
	8/11/11	1ST. SUBMISSION	
PROJECT NAME AND ADDRESS	DRAWING SUBMISSION		
PROJECT NAME AND ADDRESS	ARCHITECT: ARCHITECT	DATE: 8/11/11	
PROJECT NAME AND ADDRESS	CUSTOMER: CUSTOMER	DATE: 8/11/11	
PROJECT NAME AND ADDRESS	JOB NAME: PINE SHADOWS ELEMANTARY		
PROJECT NAME AND ADDRESS	SHEET NO.: 1.03		



FIRST LEVEL FLOOR PLAN - AREA D

NTS ARCHITECTURAL REFERENCE A114

ARCH / G.C. NOTE:

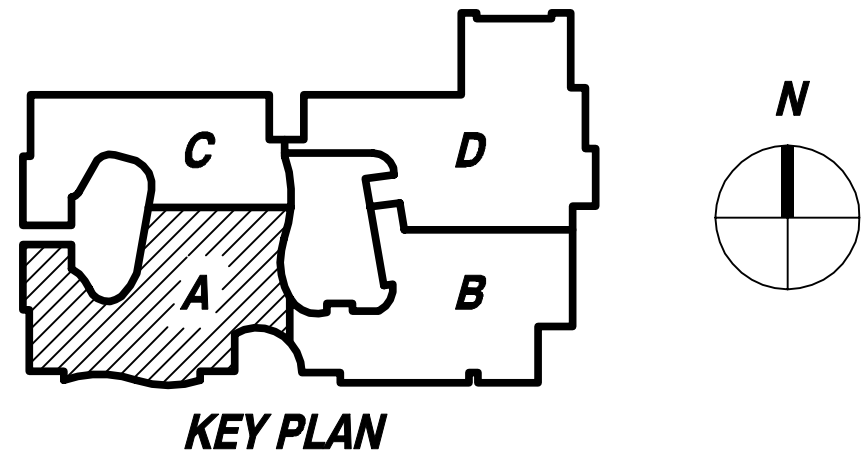
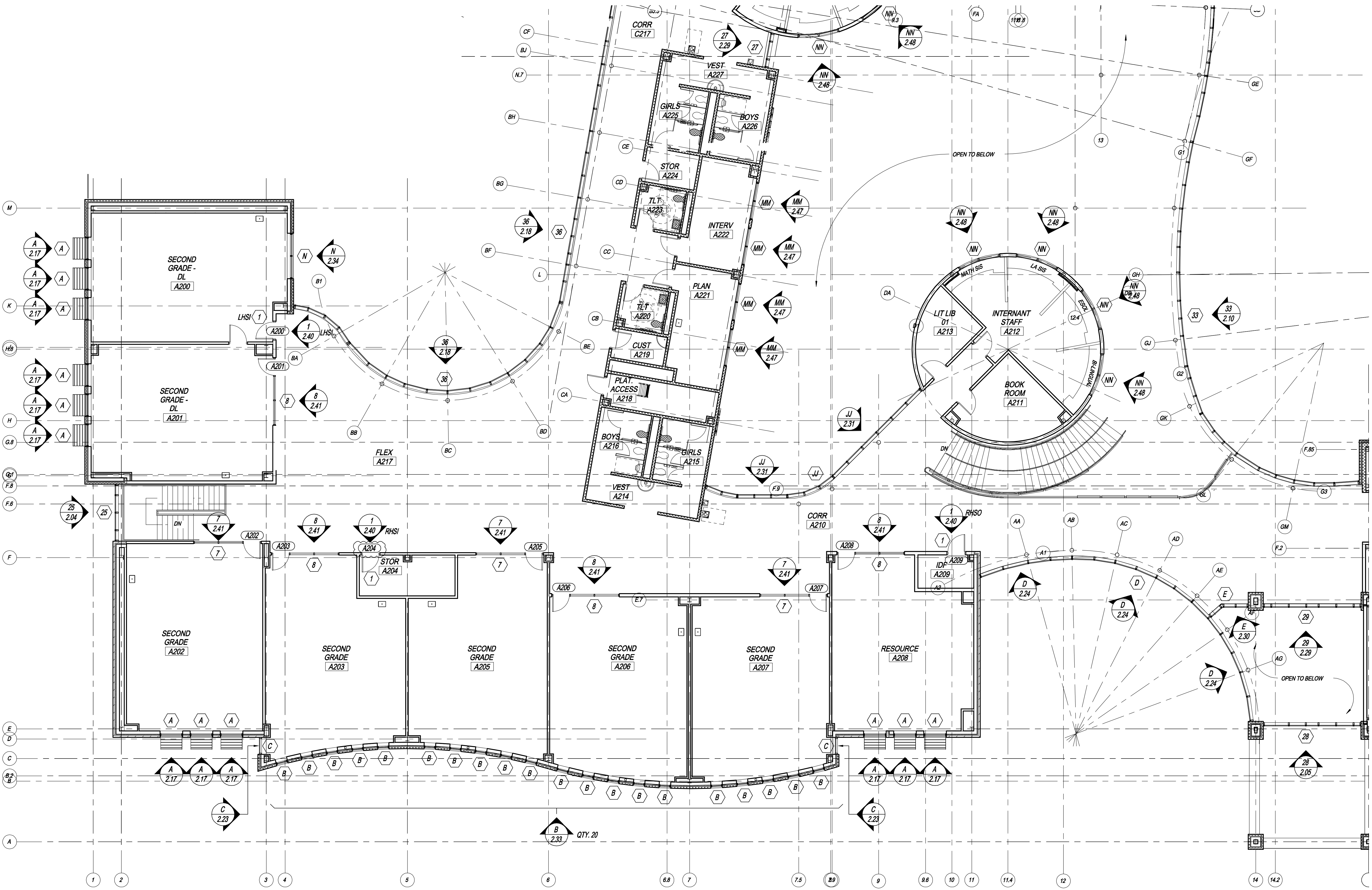
FLOOR PLANS ARE PROVIDED FOR OPENING TYPE LOCATION ONLY. REFER TO SPECIFIC MARK ELEVATIONS FOR SIZE REFERENCE DIMENSIONING, MULLION SPACING, ETC.

PROJECT NAME AND ADDRESS

PROJECT NAME AND ADDRESS

PROJECT:	ARCHITECT:	DATE:
DRWN BY: GL		8/11/11
CHECKED BY: CCW	CUSTOMER:	8/11/11
JOB NAME:		
PINE SHADOWS ELEMANTARY		
SHEET NO. 1.04		

NO	DESCRIPTION	DATE
10/30/11	1ST. REVISION	
8/11/11	1ST. SUBMISSION	
	DRAWING SUBMISSION	



SECOND LEVEL FLOOR PLAN - AREA A

NTS ARCHITECTURAL REFERENCE A121

ARCH / G.C. NOTE:

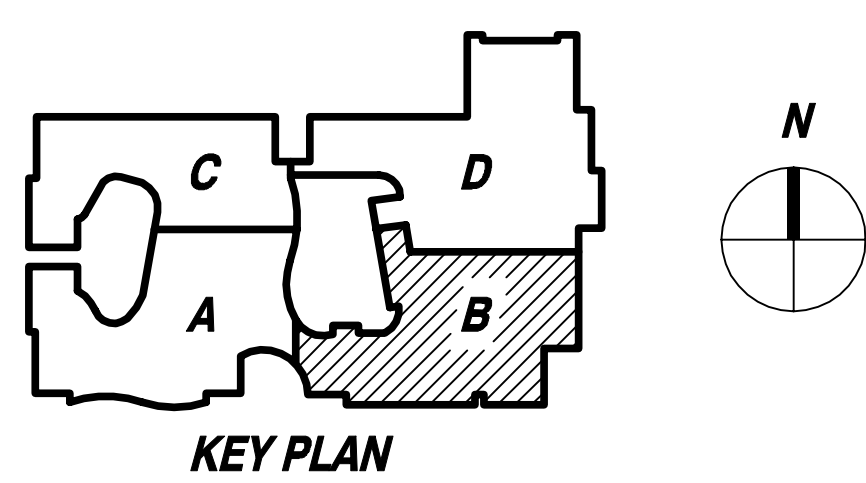
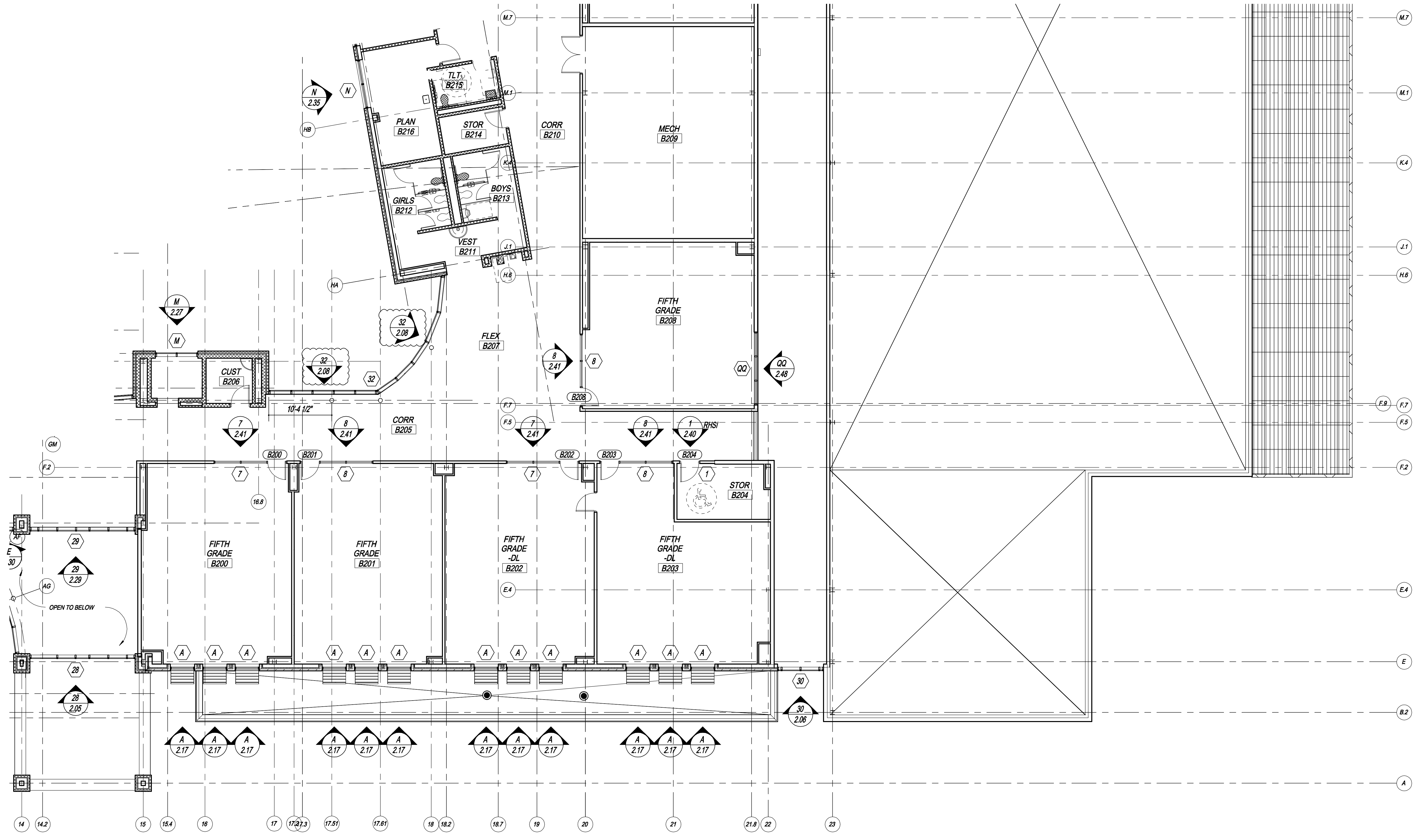
FLOOR PLANS ARE PROVIDED FOR OPENING TYPE LOCATION ONLY. REFER TO SPECIFIC MARK ELEVATIONS FOR SIZE REFERENCE DIMENSIONING, MULLION SPACING, ETC.

PROJECT				
NO.				
DESCRIPTION				
1ST. REVISION	10/30/11			
1ST. SUBMISSION	8/11/11			
DATE				
DRAWING SUBMISSION				

PROJECT NAME AND ADDRESS

PROJECT NAME AND ADDRESS

PROJECT	
DRAWN BY	GL
CHECKED BY	CCW
JOB NAME:	PINE SHADOWS ELEMANTARY
SHEET NO.:	1.05
ARCHITECT:	
CUSTOMER:	
DATE	8/11/11



SECOND LEVEL FLOOR PLAN - AREA B

NTS ARCHITECTURAL REFERENCE A122

ARCH / G.C. NOTE:

FLOOR PLANS ARE PROVIDED FOR OPENING TYPE LOCATION ONLY. REFER TO SPECIFIC MARK ELEVATIONS FOR SIZE REFERENCE DIMENSIONING, MULLION SPACING, ETC.

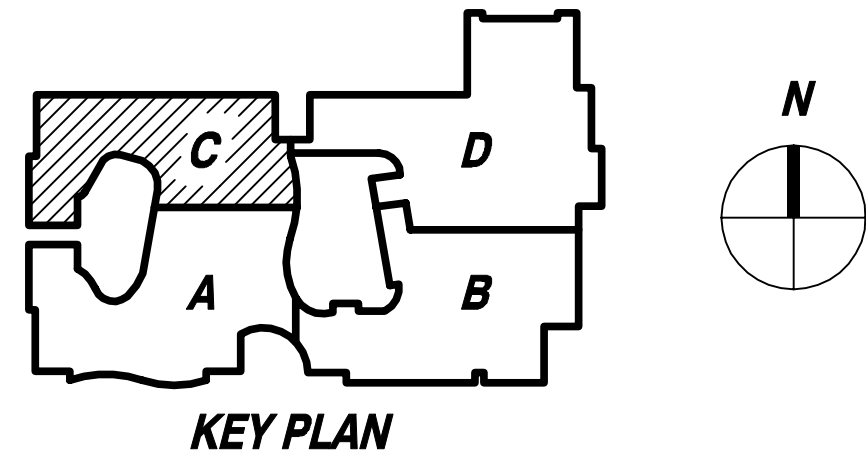
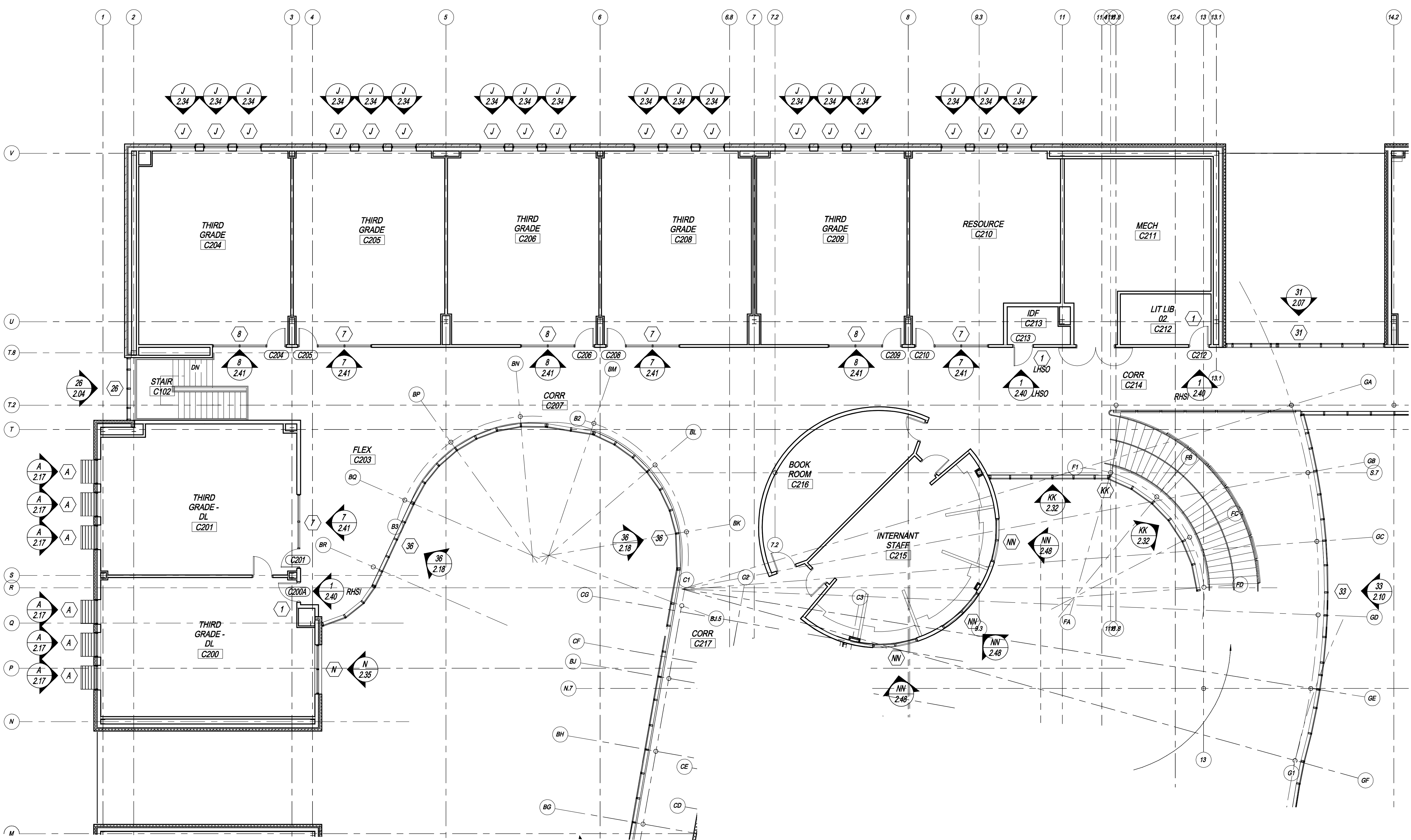
PROJECT NAME AND ADDRESS		DRAWING SUBMISSION	
PROJECT	PROJECT NAME AND ADDRESS	NO	DATE
DRAWN BY	GL	ARCHITECT	10/30/11
CHECKED BY	CCW	CUSTOMER	8/11/11
JOB NAME:	PINE SHADOWS ELEMENTARY		
SHEET NO.:	1.06		

10/30/11	1ST. REVISION	NO	DESCRIPTION	DATE
8/11/11	1ST. SUBMISSION			

PROJECT NAME AND ADDRESS

PROJECT NAME AND ADDRESS

DRAWN BY: GL	DATE: 8/11/11
CHECKED BY: CW	DATE: 8/11/11
JOB NAME: PINE SHADOWS ELEMENTARY	
SHEET NO.: 1.07	



SECOND LEVEL FLOOR PLAN - AREA C

NTS ARCHITECTURAL REFERENCE A123

ARCH / G.C. NOTE:

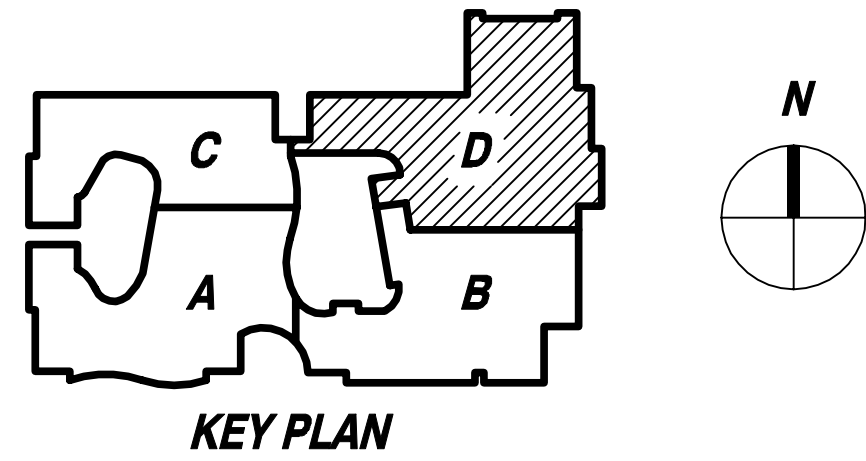
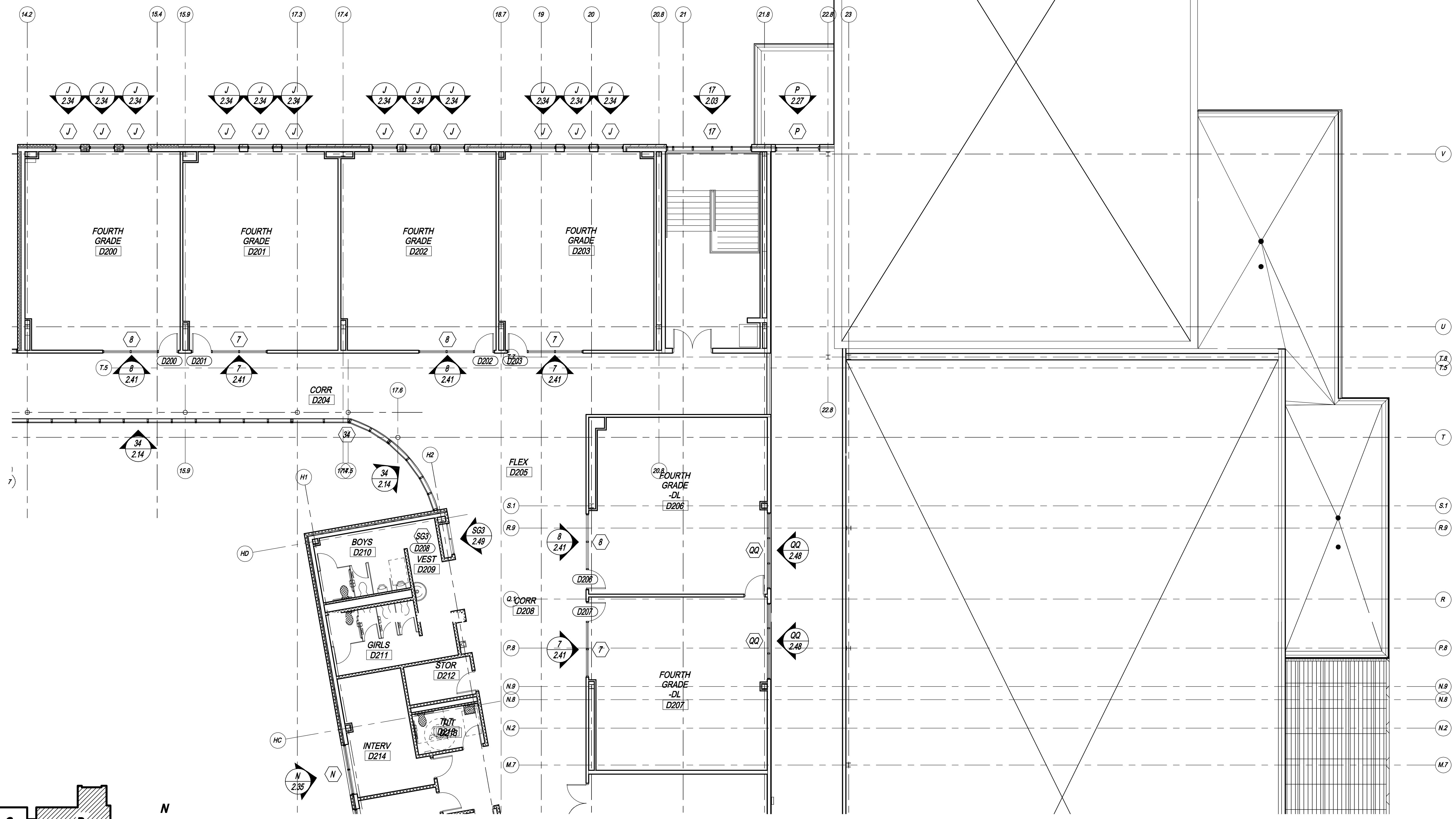
FLOOR PLANS ARE PROVIDED FOR OPENING TYPE LOCATION ONLY. REFER TO SPECIFIC MARK ELEVATIONS FOR SIZE REFERENCE DIMENSIONING, MULLION SPACING, ETC.

NO	DESCRIPTION	DATE
10/30/11	1ST. REVISION	
8/11/11	1ST. SUBMISSION	

PROJECT NAME AND ADDRESS

PROJECT NAME AND ADDRESS

PROJECT:	ARCHITECT:	DATE:
GL		8/11/11
CHECKED BY:	CUSTOMER:	DATE:
CCW		8/11/11
JOB NAME:		
PINE SHADOWS ELEMANTARY		
SHEET NO.:		
1.08		

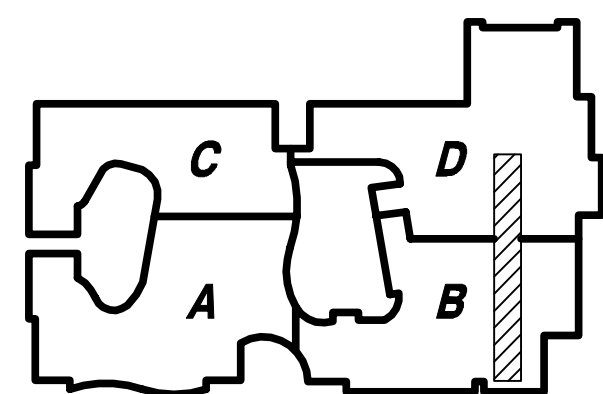


SECOND LEVEL FLOOR PLAN - AREA D

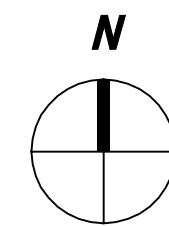
NTS ARCHITECTURAL REFERENCE A124

ARCH / G.C. NOTE:

FLOOR PLANS ARE PROVIDED FOR OPENING TYPE LOCATION ONLY. REFER TO SPECIFIC MARK ELEVATIONS FOR SIZE REFERENCE DIMENSIONING, MULLION SPACING, ETC.



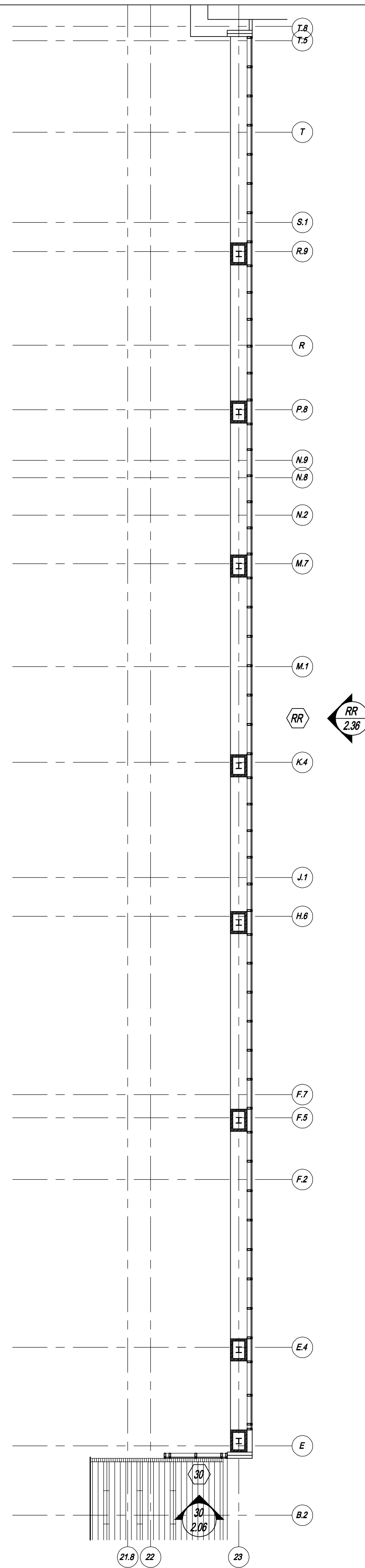
KEY PLAN



CLERESTORY FLOOR PLAN

NTS

ARCHITECTURAL REFERENCE A131



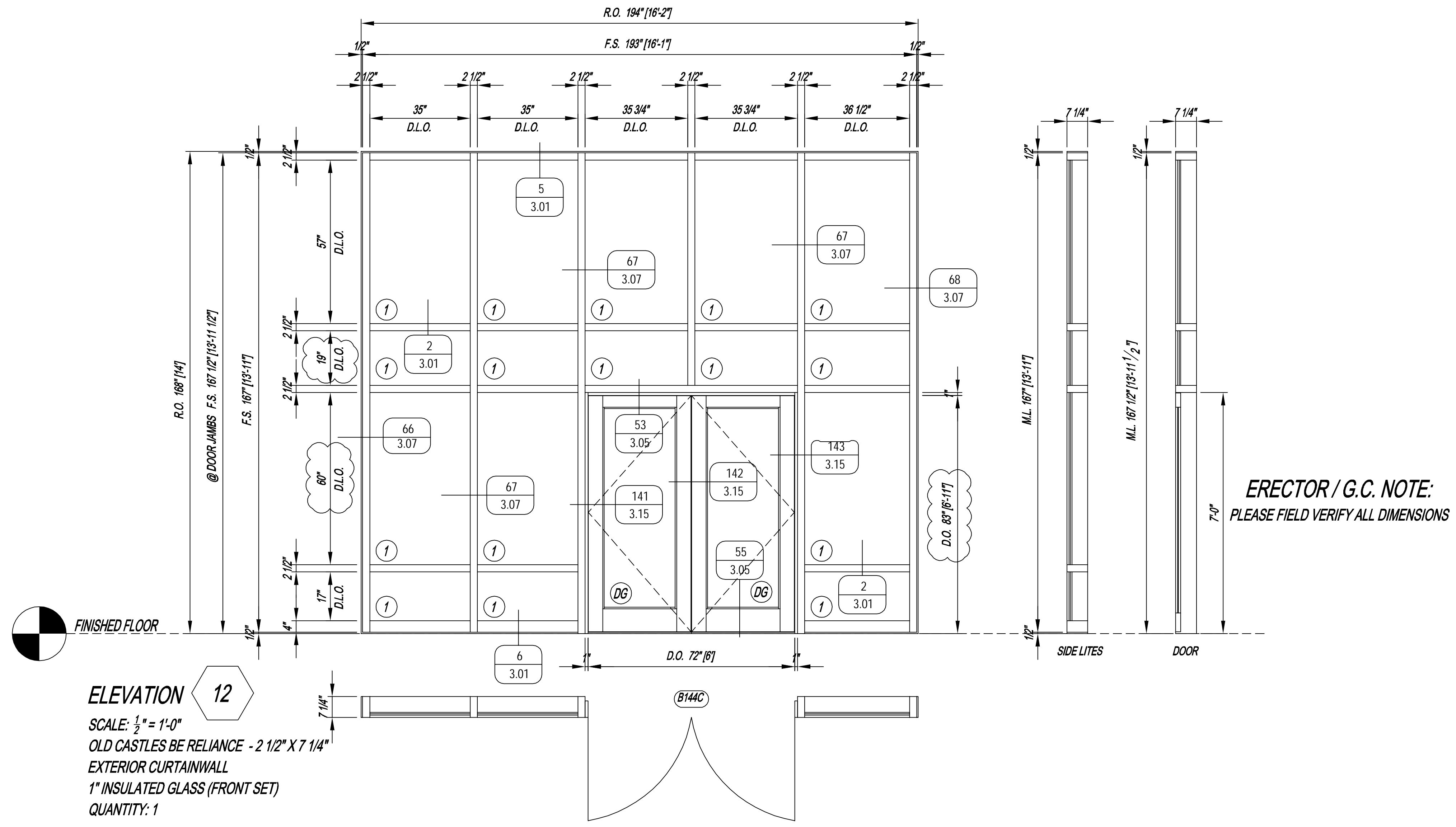
PROJECT	PROJECT NAME AND ADDRESS
DRAWN BY	GL
CHECKED BY	CCW
JOB NAME	PINE SHADOWS ELEMANTARY
DATE	8/11/11
ARCHITECT	
CUSTOMER	
1ST. REVISION	10/30/11
1ST. SUBMISSION	8/11/11
NO	NO
DESCRIPTION	DESCRIPTION
DATE	DATE
DRAWING SUBMISSION	

PROJECT NAME AND ADDRESS

PROJECT	PROJECT NAME AND ADDRESS
DRAWN BY	GL
CHECKED BY	CCW
JOB NAME	PINE SHADOWS ELEMANTARY
DATE	8/11/11
ARCHITECT	
CUSTOMER	
1ST. REVISION	10/30/11
1ST. SUBMISSION	8/11/11
NO	NO
DESCRIPTION	DESCRIPTION
DATE	DATE
DRAWING SUBMISSION	

ARCH / G.C. NOTE:

FLOOR PLANS ARE PROVIDED FOR OPENING TYPE LOCATION ONLY. REFER TO SPECIFIC MARK ELEVATIONS FOR SIZE REFERENCE DIMENSIONING, MULLION SPACING, ETC.

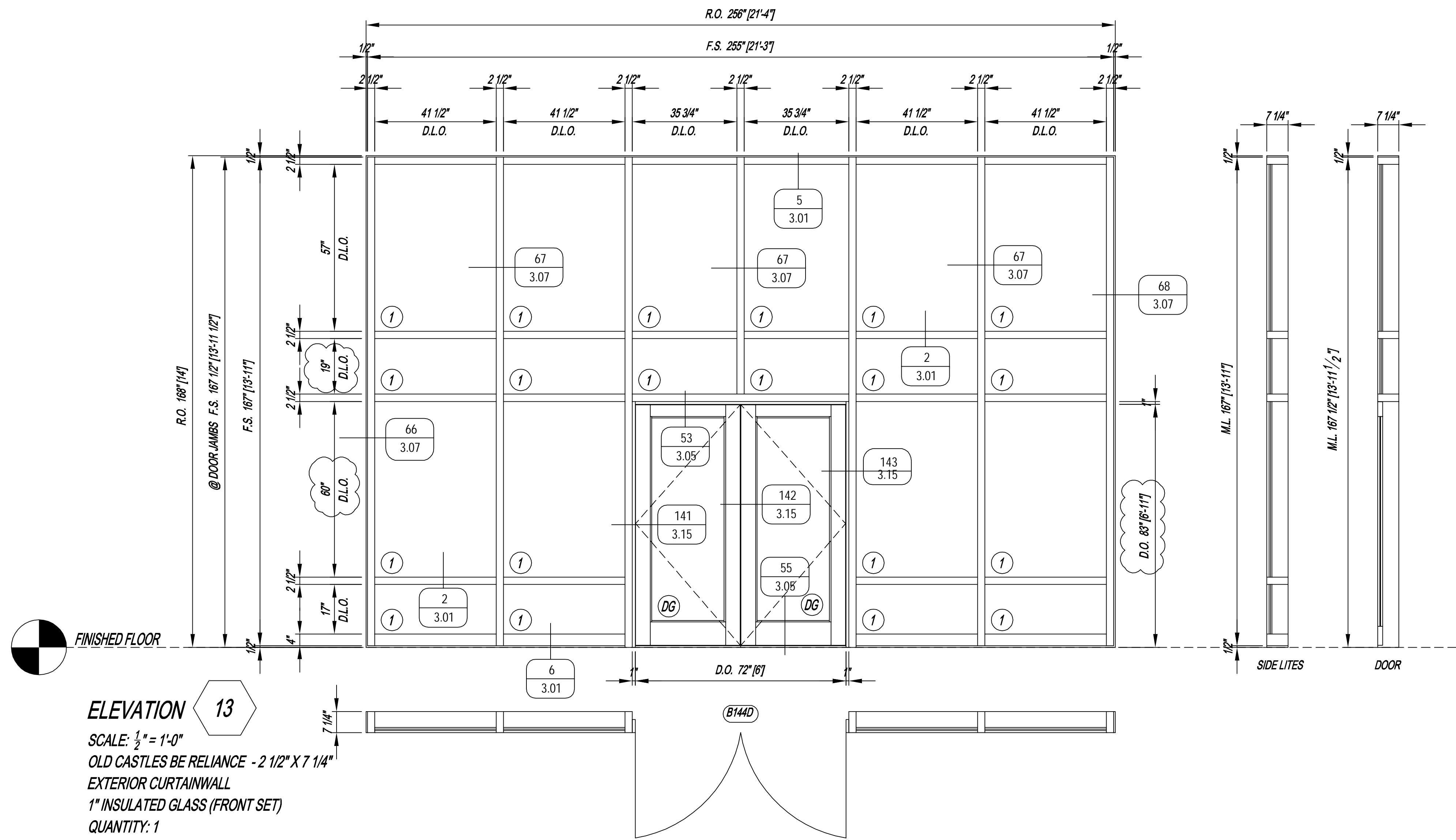


ELEVATION 12
 SCALE: 1/2" = 1'-0"
 OLD CASTLES BE RELIANCE - 2 1/2" X 7 1/4"
 EXTERIOR CURTAINWALL
 1" INSULATED GLASS (FRONT SET)
 QUANTITY: 1

NO	DESCRIPTION	DATE
10/30/11	1ST. REVISION	
8/11/11	1ST. SUBMISSION	
	DRAWING SUBMISSION	

PROJECT NAME AND ADDRESS

PROJECT: PROJECT NAME & ADDRESS	
ARCHITECT: GL	DATE: 8/11/11
CUSTOMER: CCW	DATE: 8/11/11
JOB NAME: PINE SHADOWS ELEMENTARY	
SHEET NO: 2.01	



ELEVATION 13

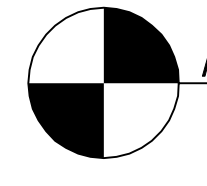
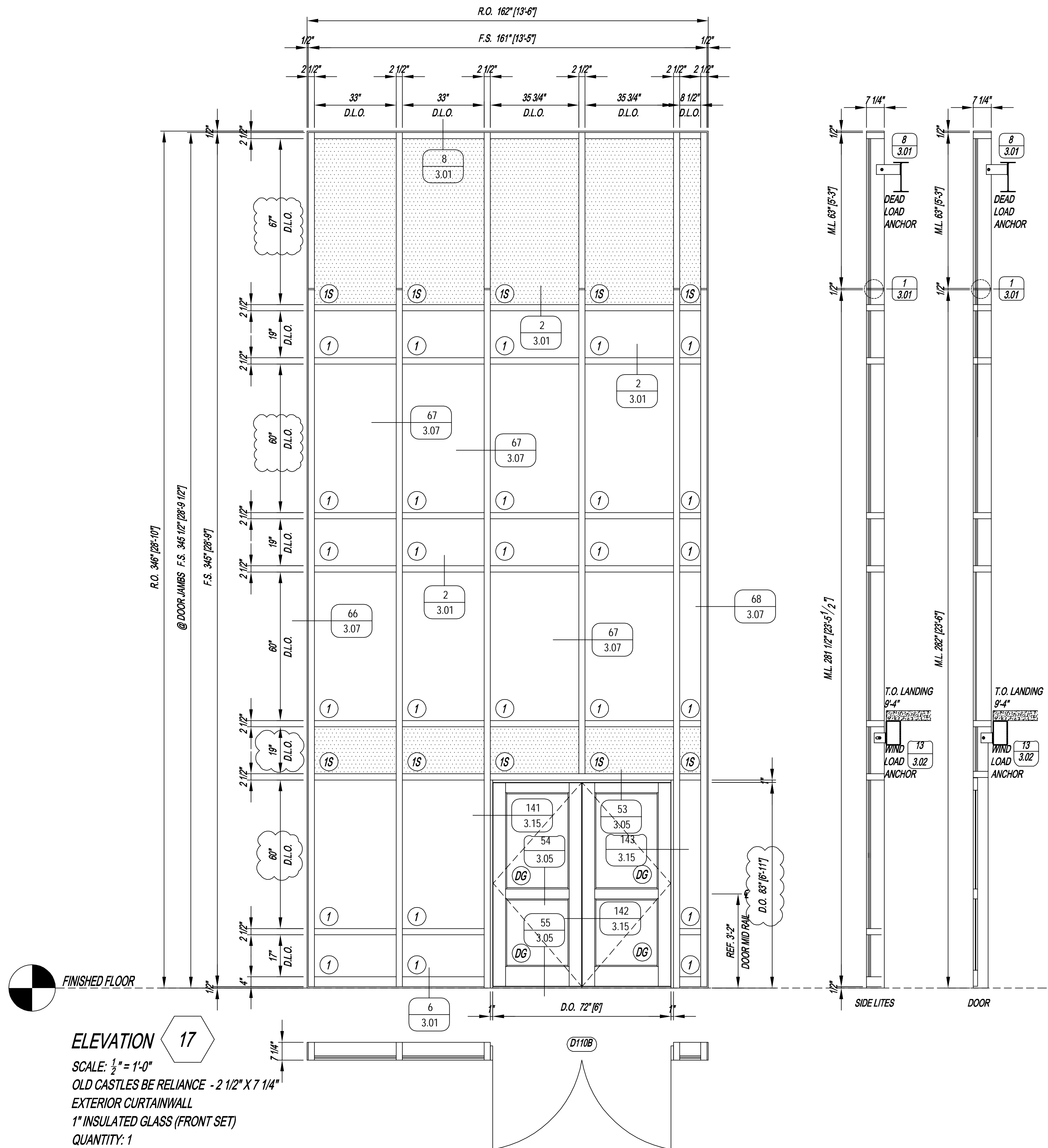
SCALE: 1/2" = 1'-0"
 OLD CASTLES BE RELIANCE - 2 1/2" X 7 1/4"
 EXTERIOR CURTAINWALL
 1" INSULATED GLASS (FRONT SET)
 QUANTITY: 1

ERECTOR / G.C. NOTE:
 PLEASE FIELD VERIFY ALL DIMENSIONS

NO	DESCRIPTION	DATE
10/30/11	1ST. REVISION	
8/11/11	1ST. SUBMISSION	
	DRAWING SUBMISSION	

PROJECT NAME AND ADDRESS

PROJECT:	PROJECT NAME & ADDRESS
ARCHITECT:	
CUSTOMER:	
DRAWN BY:	GL
DATE:	8/11/11
CHECKED BY:	CCW
DATE:	8/11/11
JOB NAME:	PINE SHADOWS ELEMENTARY
SHEET NO.:	2.02



ELEVATION 17
 SCALE: 1/2" = 1'-0"
 OLD CASTLES BE RELIANCE - 2 1/2" X 7 1/4"
 EXTERIOR CURTAINWALL
 1" INSULATED GLASS (FRONT SET)
 QUANTITY: 1

ERECTOR / G.C. NOTE:
 PLEASE FIELD VERIFY ALL DIMENSIONS

PROJECT: PROJECT NAME & ADDRESS		ARCHITECT: PROJECT NAME & ADDRESS		CUSTOMER: PROJECT NAME & ADDRESS	
10/30/11	1ST. REVISION	8/11/11	1ST. SUBMISSION	NO	DESCRIPTION
8/11/11	1ST. SUBMISSION	8/11/11	1ST. SUBMISSION	NO	DESCRIPTION
					DATE
					DRAWING SUBMISSION

PROJECT NAME & ADDRESS

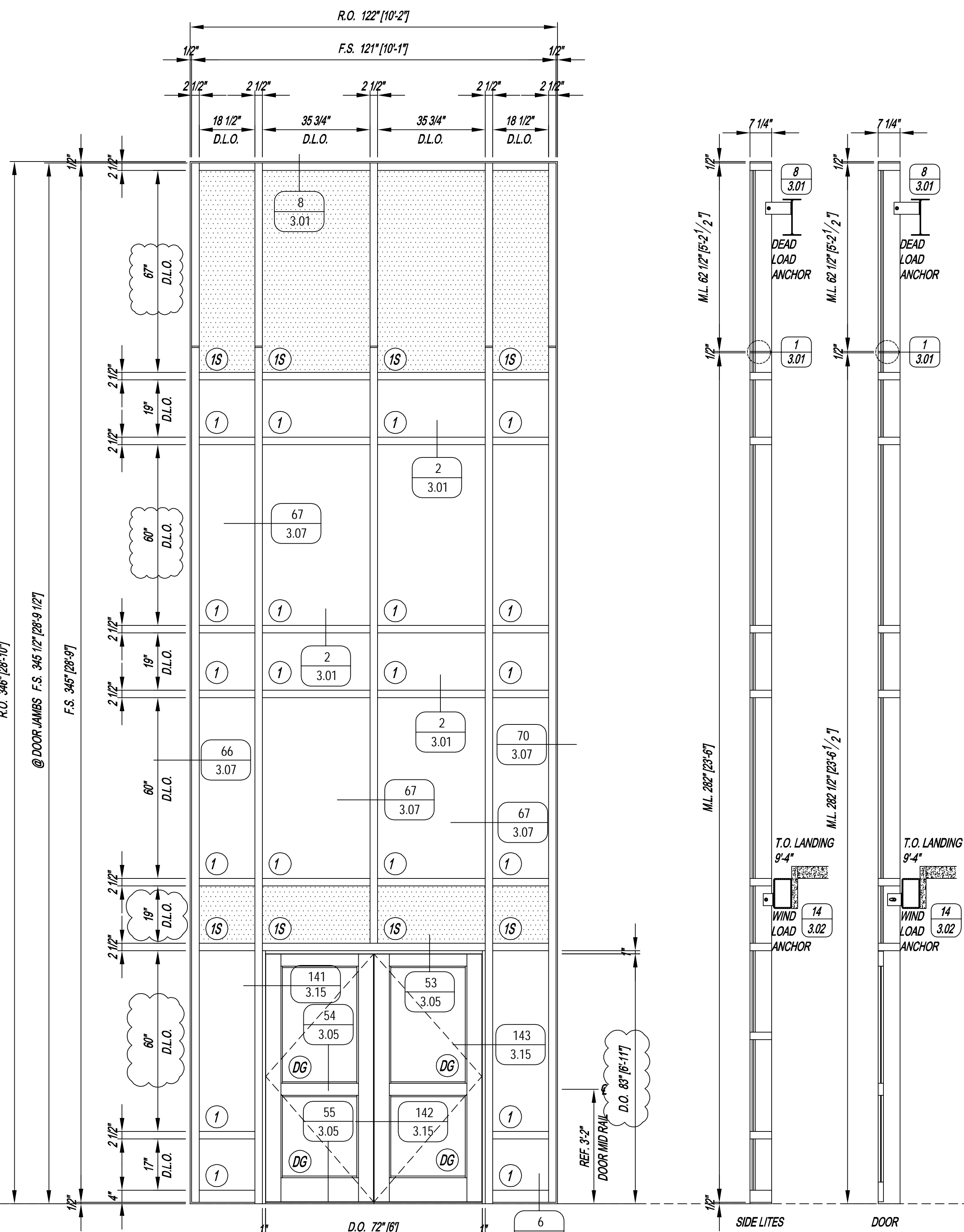
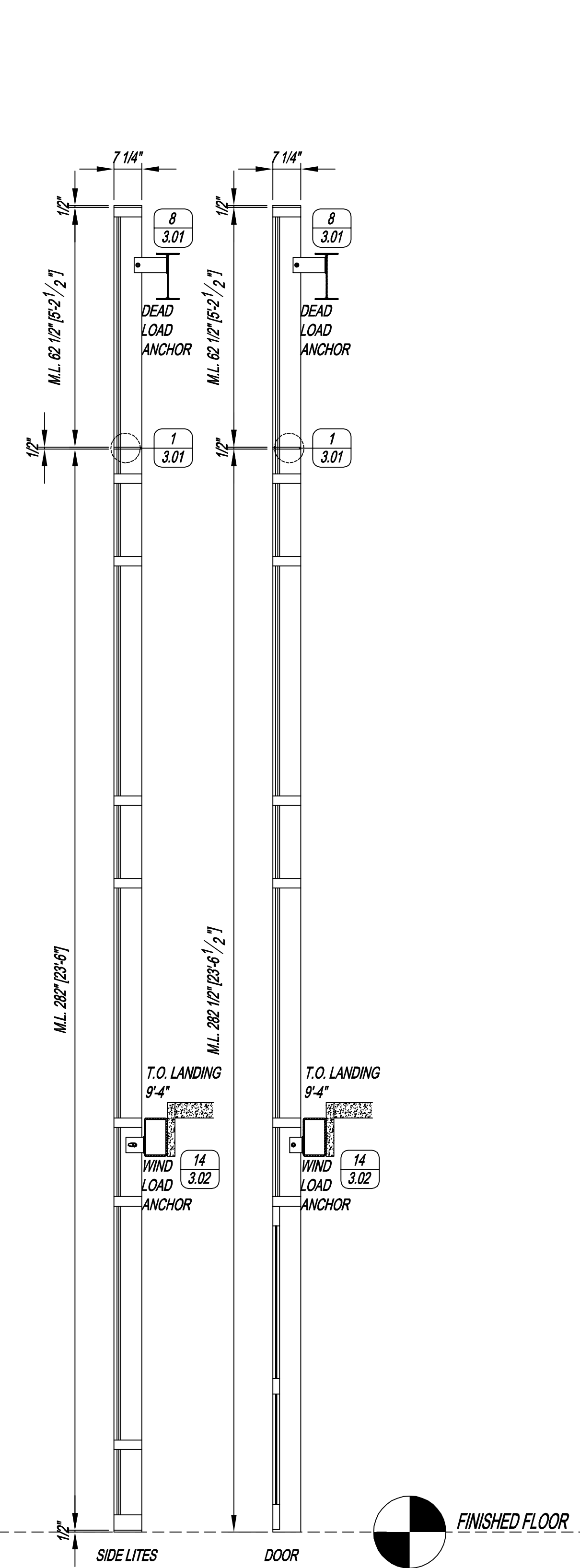
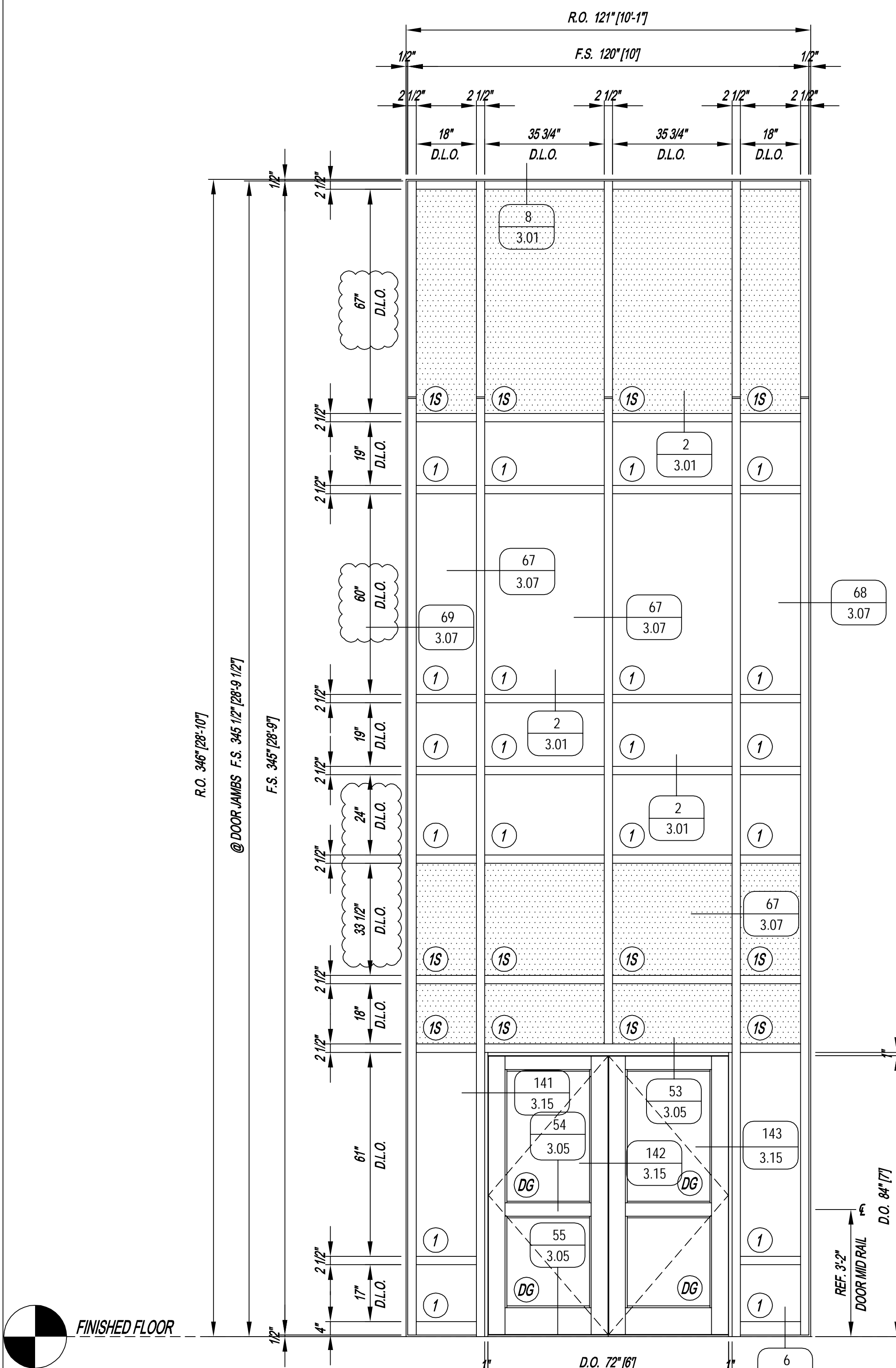
2.03

NO	DESCRIPTION	DATE
10/30/11	1ST. REVISION	8/11/11
8/11/11	1ST. SUBMISSION	
	DRAWING SUBMISSION	

PROJECT NAME AND ADDRESS

PROJECT NAME & ADDRESS

PROJECT:	ARCHITECT:	DATE:
PROJECT NAME & ADDRESS	GL	8/11/11
CUSTOMER:	CHECKED BY:	DATE:
	CCW	8/11/11
JOB NAME:		
PINE SHADOWS ELEMENTARY		
SHEET NO:		
2.04		

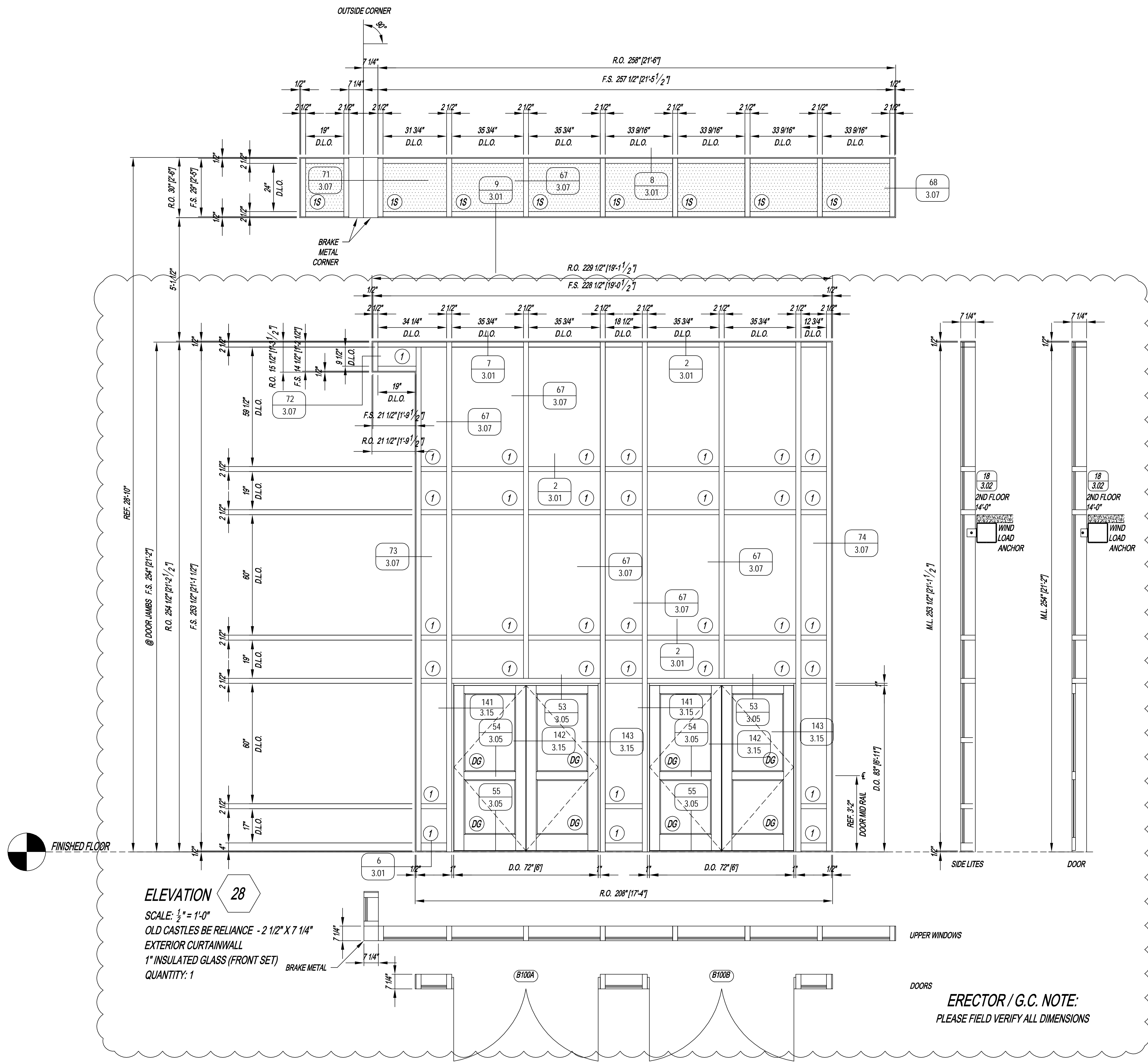


ELEVATION 25
 SCALE: 1/2" = 1'-0"
 OLD CASTLES BE RELIANCE - 2 1/2" X 7 1/4"
 EXTERIOR CURTAINWALL
 1" INSULATED GLASS (FRONT SET)
 QUANTITY: 1

ELEVATION 26
 SCALE: 1/2" = 1'-0"
 OLD CASTLES BE RELIANCE - 2 1/2" X 7 1/4"
 EXTERIOR CURTAINWALL
 1" INSULATED GLASS (FRONT SET)
 QUANTITY: 1

ERECTOR / G.C. NOTE:
 PLEASE FIELD VERIFY ALL DIMENSIONS

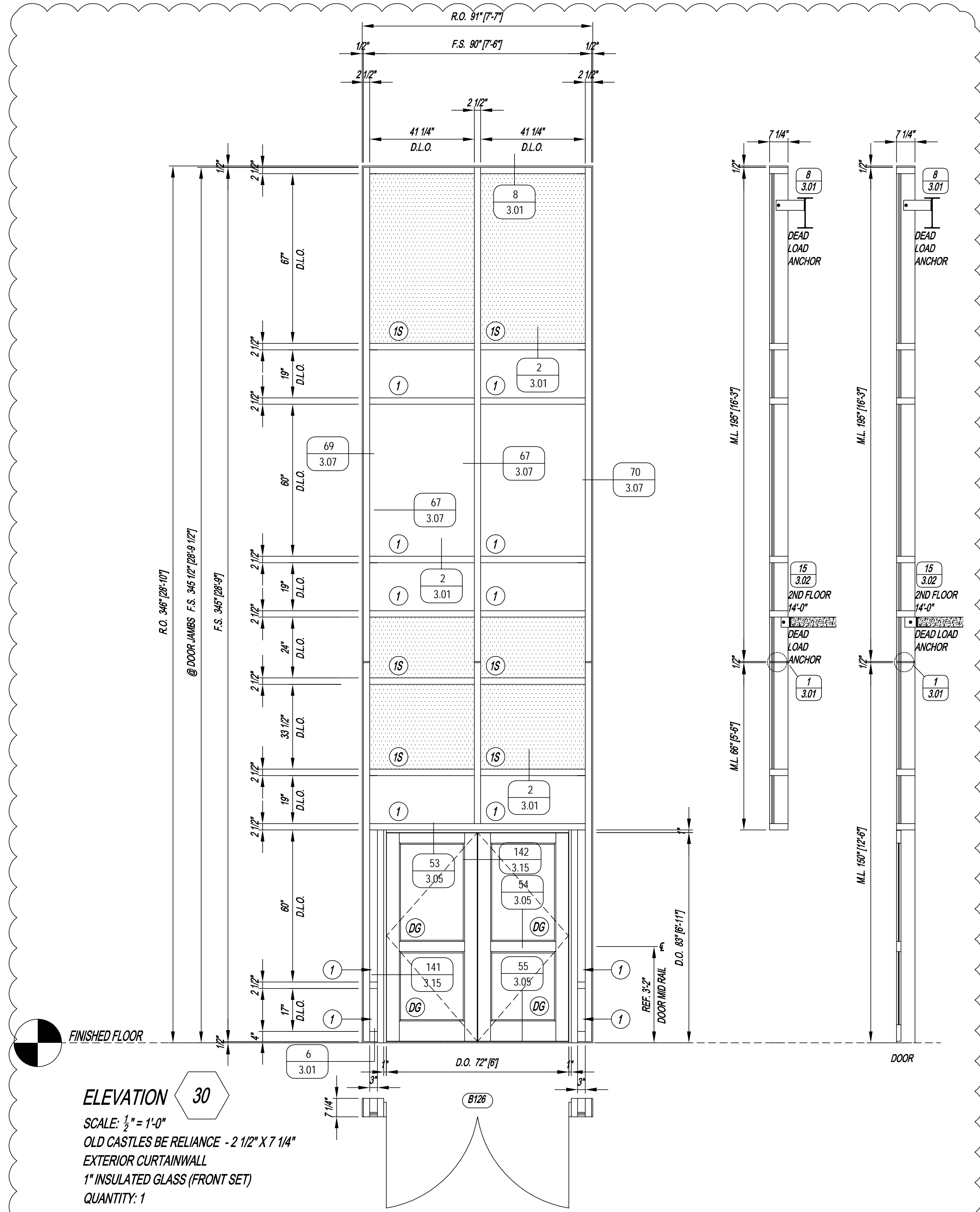
ERECTOR / G.C. NOTE:
 PLEASE FIELD VERIFY ALL DIMENSIONS



NO	DESCRIPTION	DATE
10/30/11	1ST. REVISION	8/11/11
8/11/11	1ST. SUBMISSION	
	DRAWING SUBMISSION	

PROJECT NAME AND ADDRESS

PROJECT: PROJECT NAME & ADDRESS	
DRAWN BY: GL	DATE: 8/11/11
CHECKED BY: CCW	DATE: 8/11/11
JOB NAME: PINE SHADOWS ELEMENTARY	
SHEET NO.: 2.05	



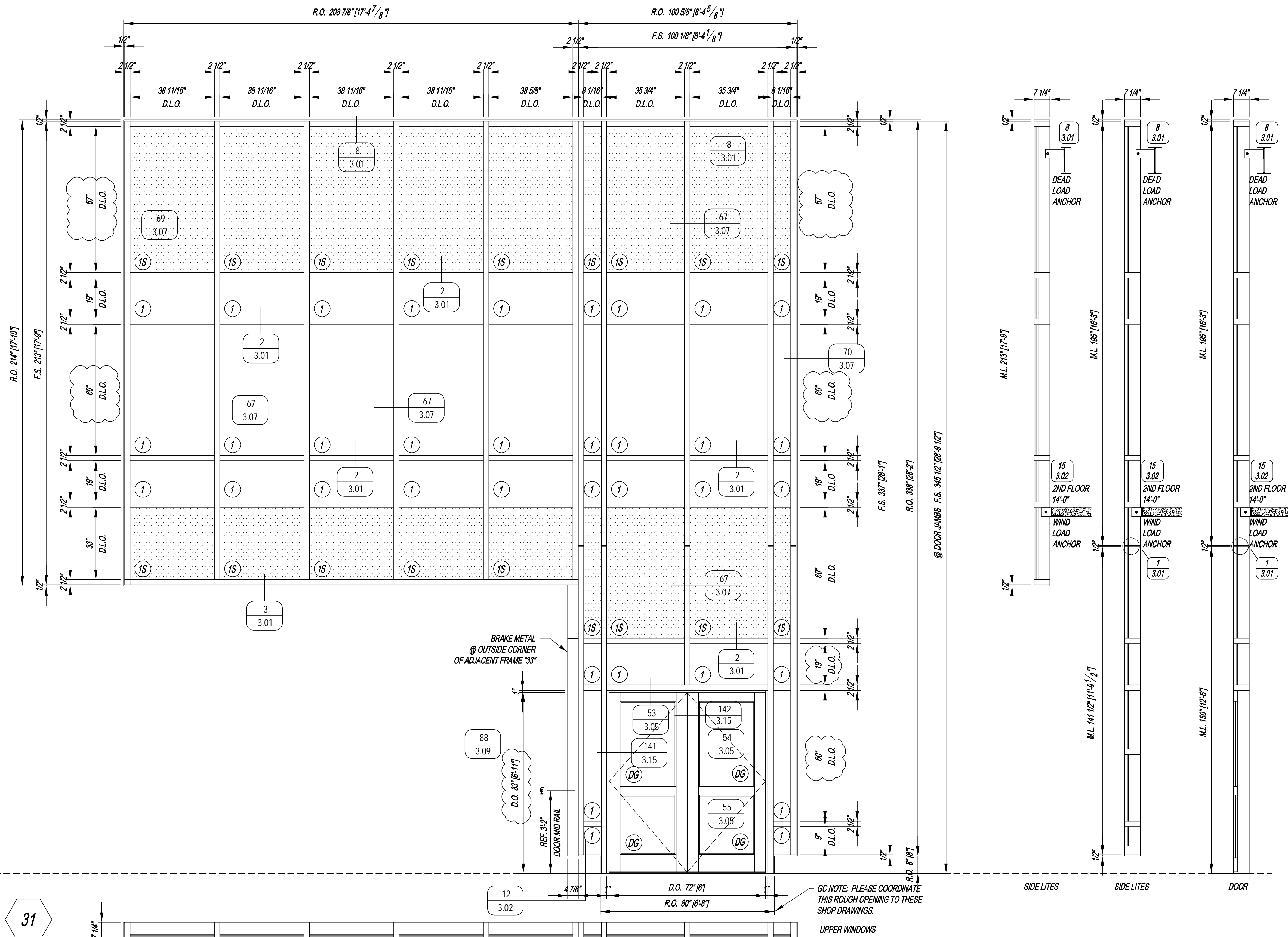
ELEVATION 30
 SCALE: 1/8" = 1'-0"
 OLD CASTLES BE RELIANCE - 2 1/2" X 7 1/4"
 EXTERIOR CURTAINWALL
 1" INSULATED GLASS (FRONT SET)
 QUANTITY: 1

ERECTOR / G.C. NOTE:
 PLEASE FIELD VERIFY ALL DIMENSIONS

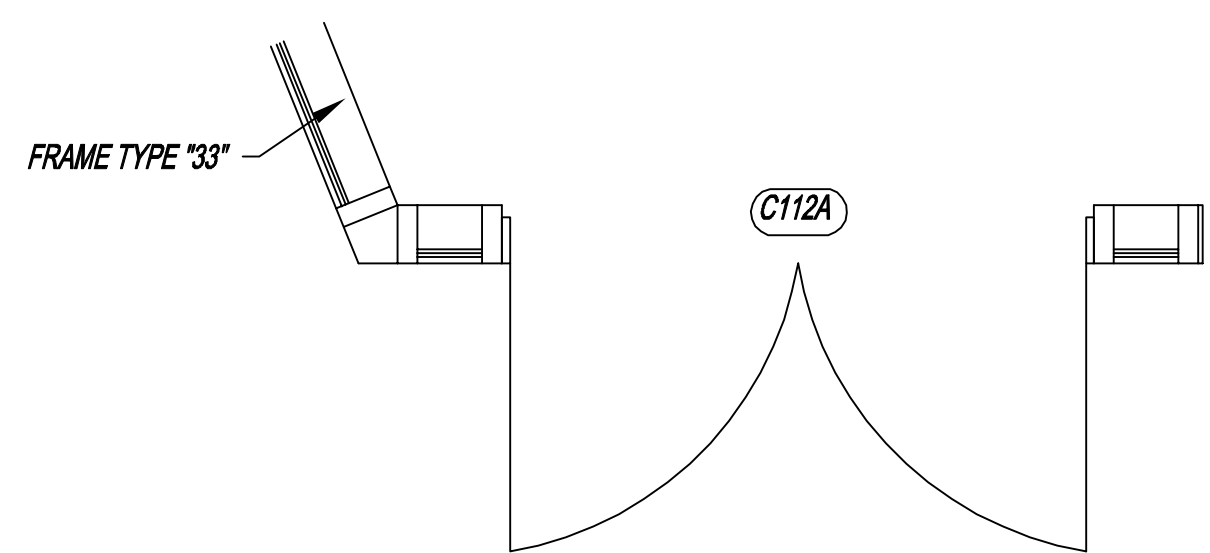
PROJECT: PROJECT NAME & ADDRESS		ARCHITECT: PROJECT NAME & ADDRESS		CUSTOMER: PROJECT NAME & ADDRESS	
10/30/11	1ST. REVISION	8/11/11	1ST. SUBMISSION	NO	DESCRIPTION
8/11/11	1ST. SUBMISSION	NO	DESCRIPTION	NO	DATE
DRAWING SUBMISSION					

PROJECT NAME & ADDRESS

PROJECT NAME AND ADDRESS

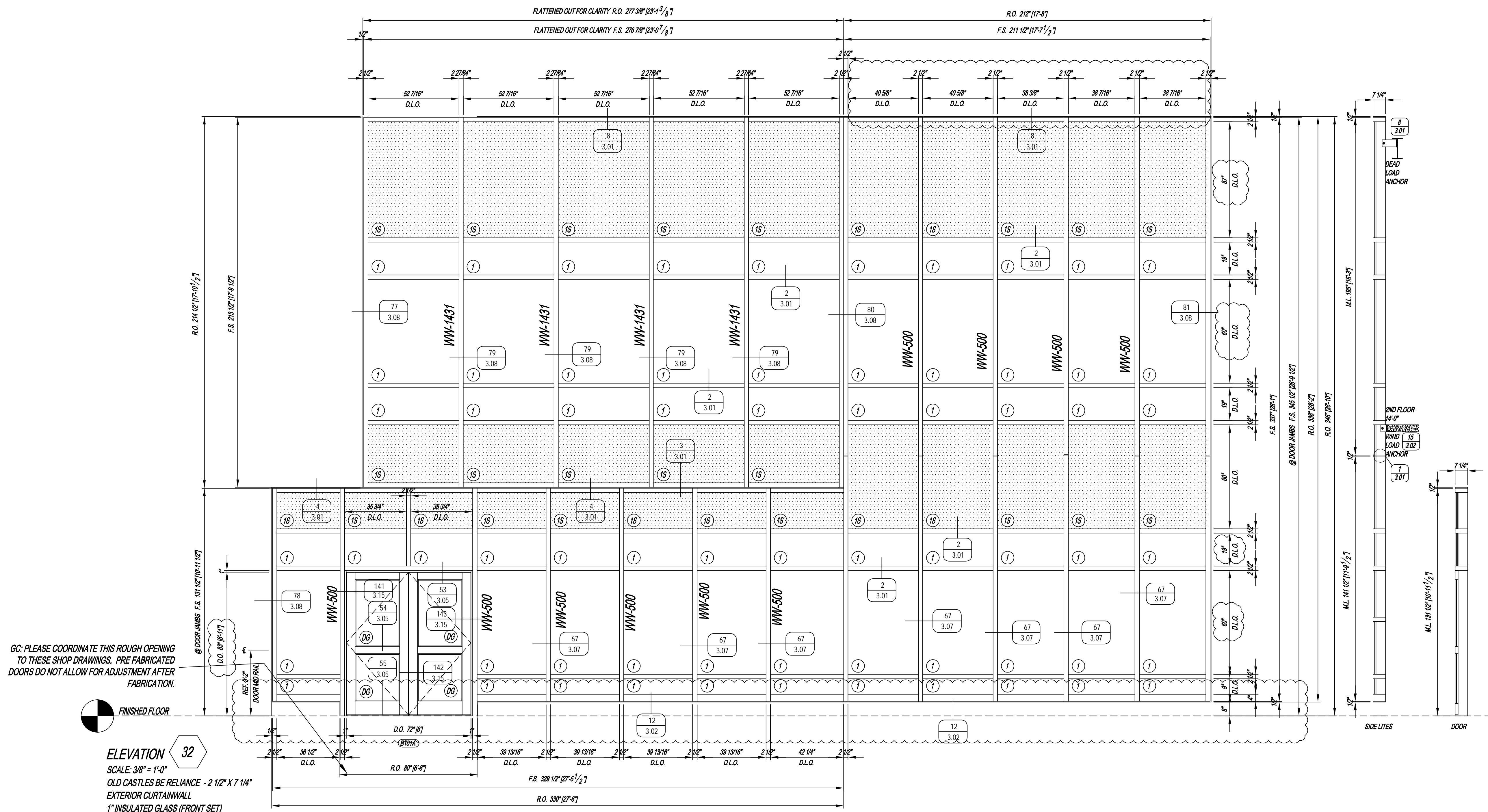


ELEVATION 31
 SCALE: 1/2" = 1'-0"
 OLD CASTLES BE RELIANCE - 2 1/2" X 7 1/4"
 EXTERIOR CURTAINWALL
 1" INSULATED GLASS (FRONT SET)
 QUANTITY: 1

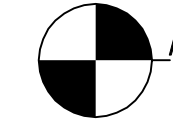


ERECTOR / G.C. NOTE:
 PLEASE FIELD VERIFY ALL DIMENSIONS

PROJECT: PROJECT NAME & ADDRESS		ARCHITECT: PROJECT NAME & ADDRESS		CUSTOMER: PROJECT NAME & ADDRESS	
DRAWN BY: GL		DATE: 8/11/11		JOB NAME: PINE SHADOWS ELEMENTARY	
CHECKED BY: CCW		DATE: 8/11/11		SHEET NO.: 2.07	
NO		DESCRIPTION		DRAWING SUBMISSION	
1ST. SUBMISSION		8/11/11		DATE	
1ST. REVISION		10/30/11		DATE	



GC: PLEASE COORDINATE THIS ROUGH OPENING TO THESE SHOP DRAWINGS. PRE FABRICATED DOORS DO NOT ALLOW FOR ADJUSTMENT AFTER FABRICATION.

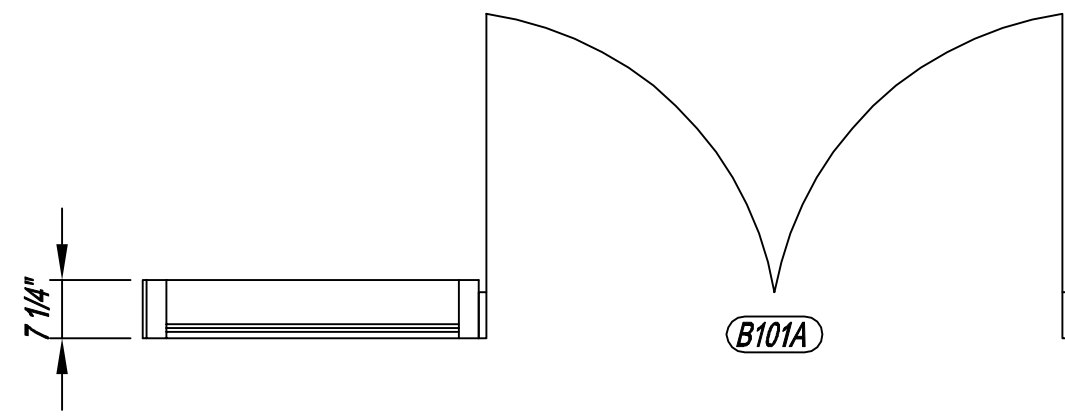


ELEVATION 32
 SCALE: 3/8" = 1'-0"
 OLD CASTLES BE RELIANCE - 2 1/2" X 7 1/4"
 EXTERIOR CURTAINWALL
 1" INSULATED GLASS (FRONT SET)
 QUANTITY: 1

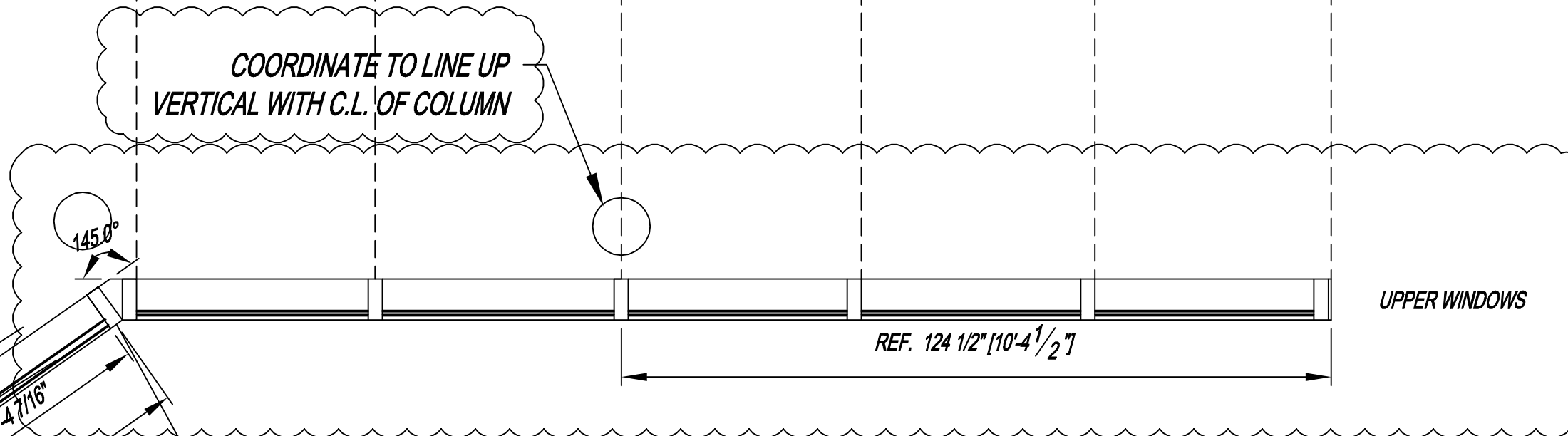
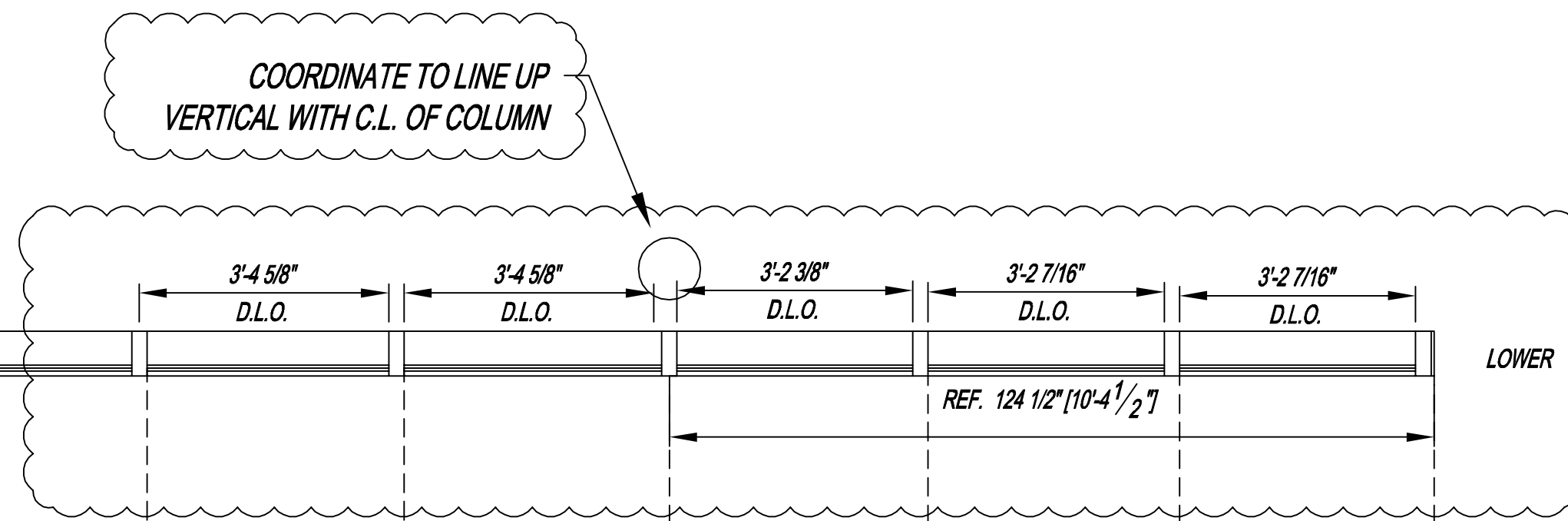
NO	DESCRIPTION	DATE
10/30/11	1ST. REVISION	8/11/11
8/11/11	1ST. SUBMISSION	
	DRAWING SUBMISSION	

PROJECT NAME AND ADDRESS

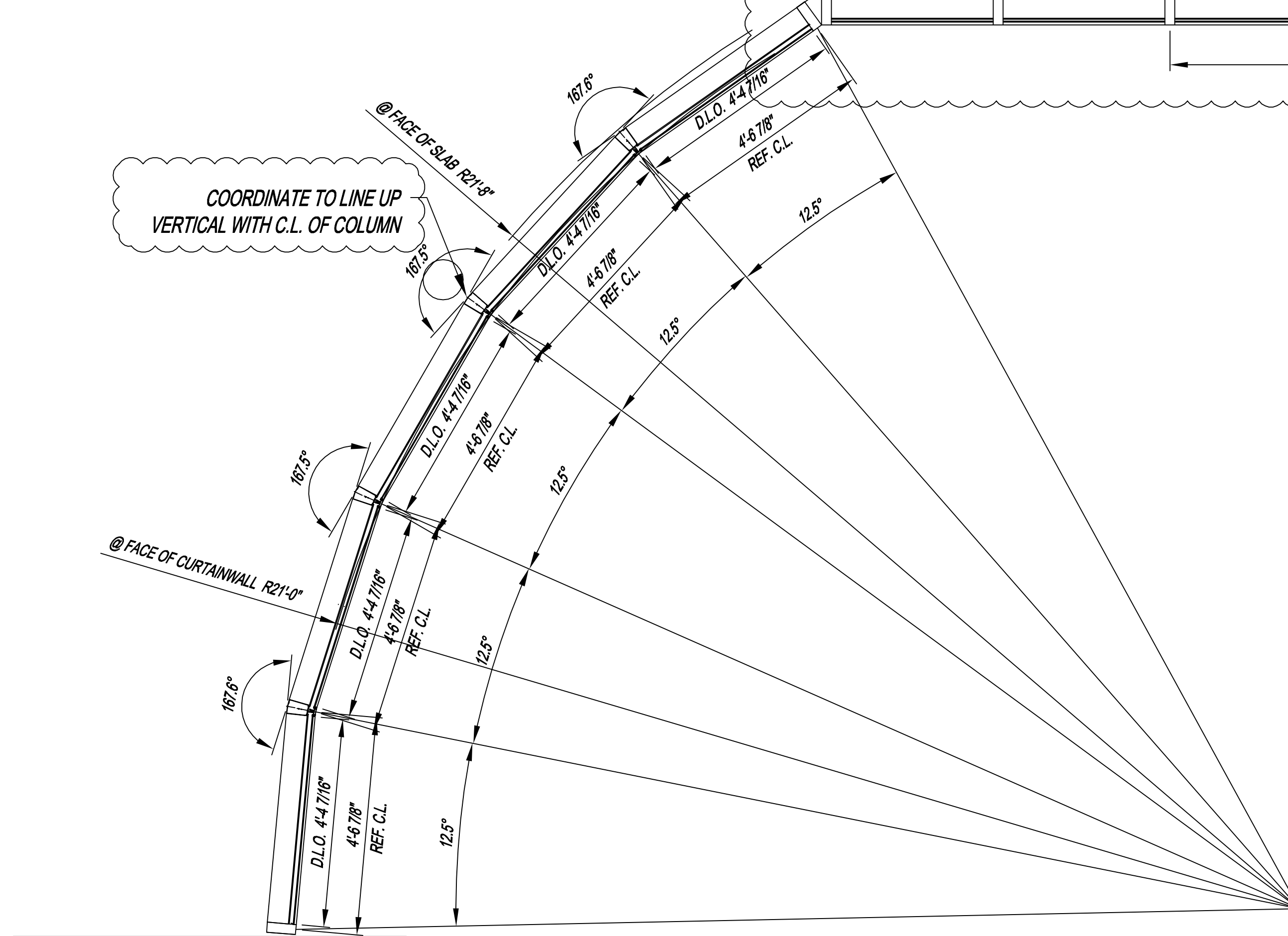
PROJECT:	PROJECT NAME & ADDRESS
ARCHITECT:	
CUSTOMER:	
DATE:	8/11/11
CHECKED BY:	CCW
DATE:	8/11/11
JOB NAME:	PINE SHADOWS ELEMENTARY
SHEET NO.:	2.08



ERECTOR / G.C. NOTE:
PLEASE FIELD VERIFY ALL DIMENSIONS



ELEVATION 32 PLAN VIEW
SCALE: 1/2" = 1'-0"
OLD CASTLES BE RELIANCE - 2 1/2" X 7 1/4"
EXTERIOR CURTAINWALL
1" INSULATED GLASS (FRONT SET)
QUANTITY: 1



PROJECT NAME AND ADDRESS

PROJECT: PROJECT NAME & ADDRESS

DRAWN BY: GL

DATE: 8/11/11

CHECKED BY: CCW

DATE: 8/11/11

JOB NAME:

PINE SHADOWS ELEMENTARY

SHEET NO.:

2.09

10/30/11

8/11/11

DATE

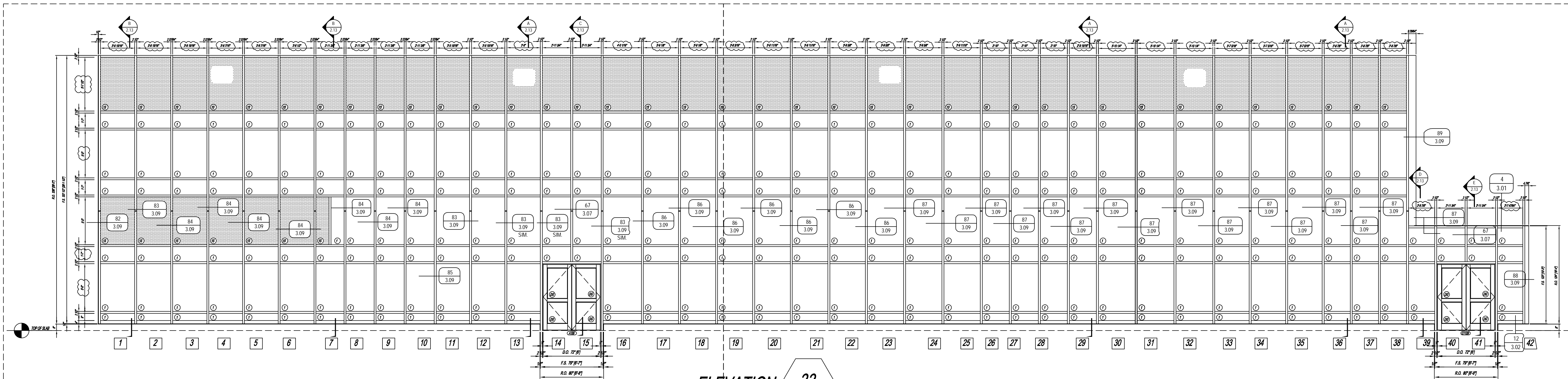
1ST. REVISION

1ST. SUBMISSION

DESCRIPTION

DRAWING SUBMISSION

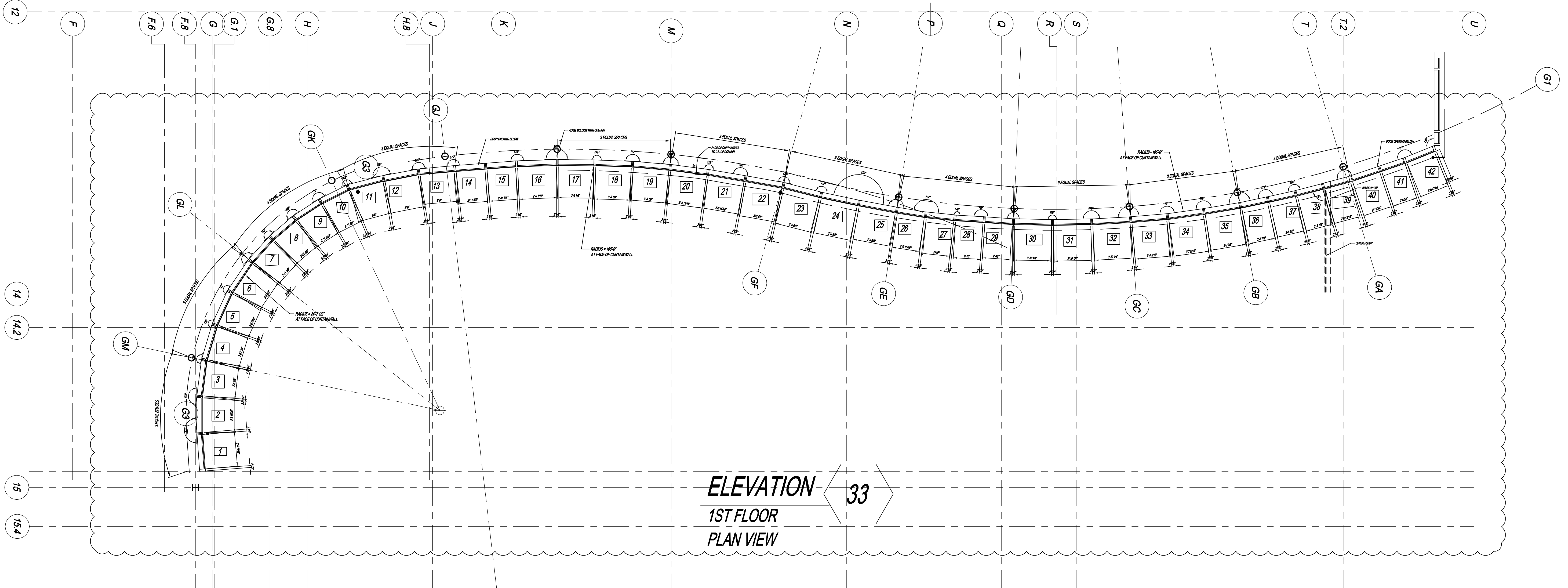
NO



PAGE 2.11

PAGE 2.12

ELEVATION 33
 SCALE: 3/8" = 1'-0"
 OLD CASTLES BE RELIANCE - 2 1/2" X 7 1/4"
 EXTERIOR CURTAINWALL
 1" INSULATED GLASS (FRONT SET)
 QUANTITY: 1



PAGE 2.11

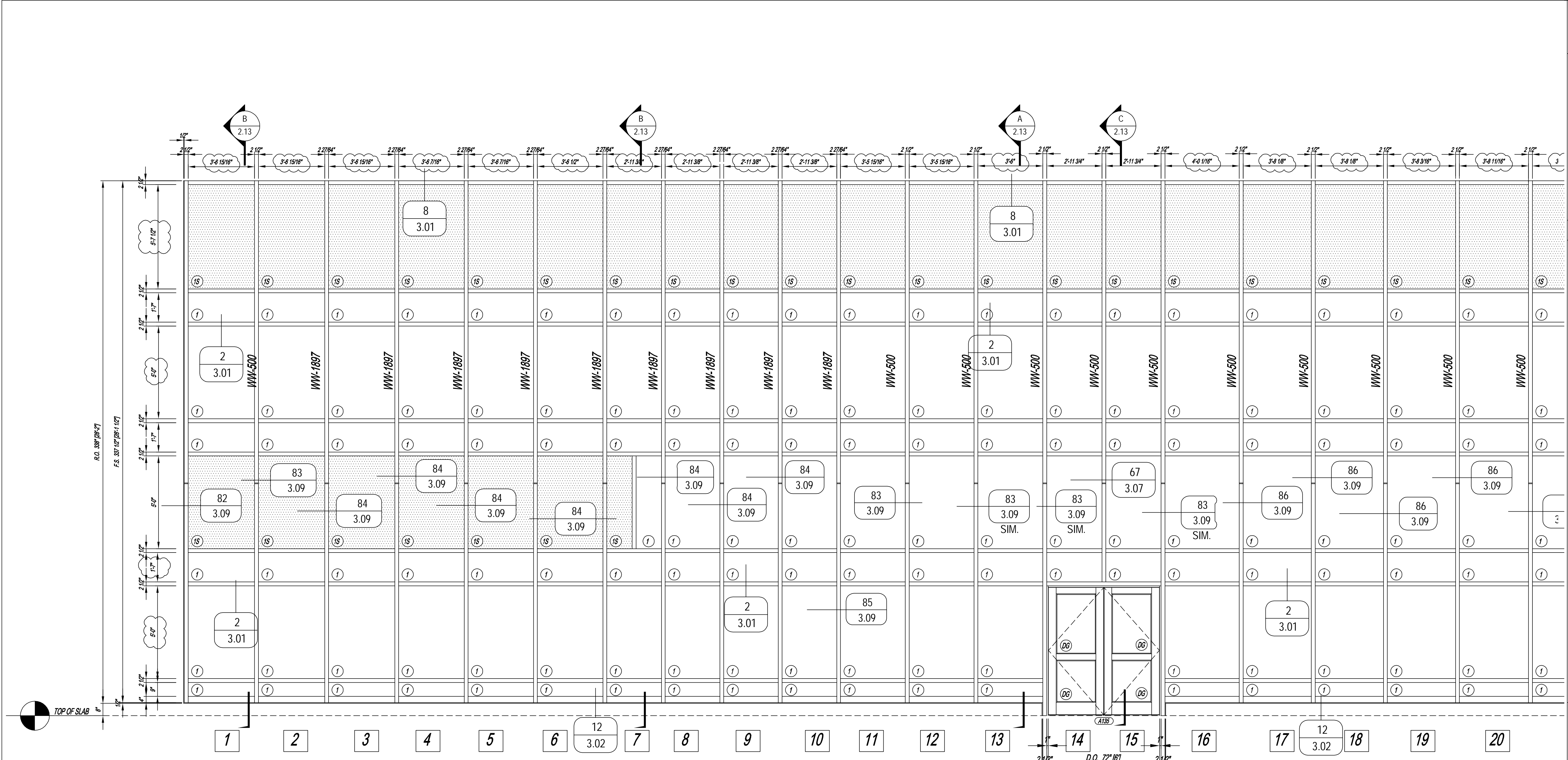
PAGE 2.12

ELEVATION 33
 1ST FLOOR
 PLAN VIEW

PROJECT NAME AND ADDRESS

NO	DESCRIPTION	DATE
1ST. REVISION	10/30/11	8/11/11
1ST. SUBMISSION		

PROJECT: PROJECT NAME & ADDRESS	
DRAWN BY: GL	DATE: 8/11/11
CHECKED BY: CCW	DATE: 8/11/11
JOB NAME: PINE SHADOWS ELEMENTARY	
SHEET NO.: 2.10	

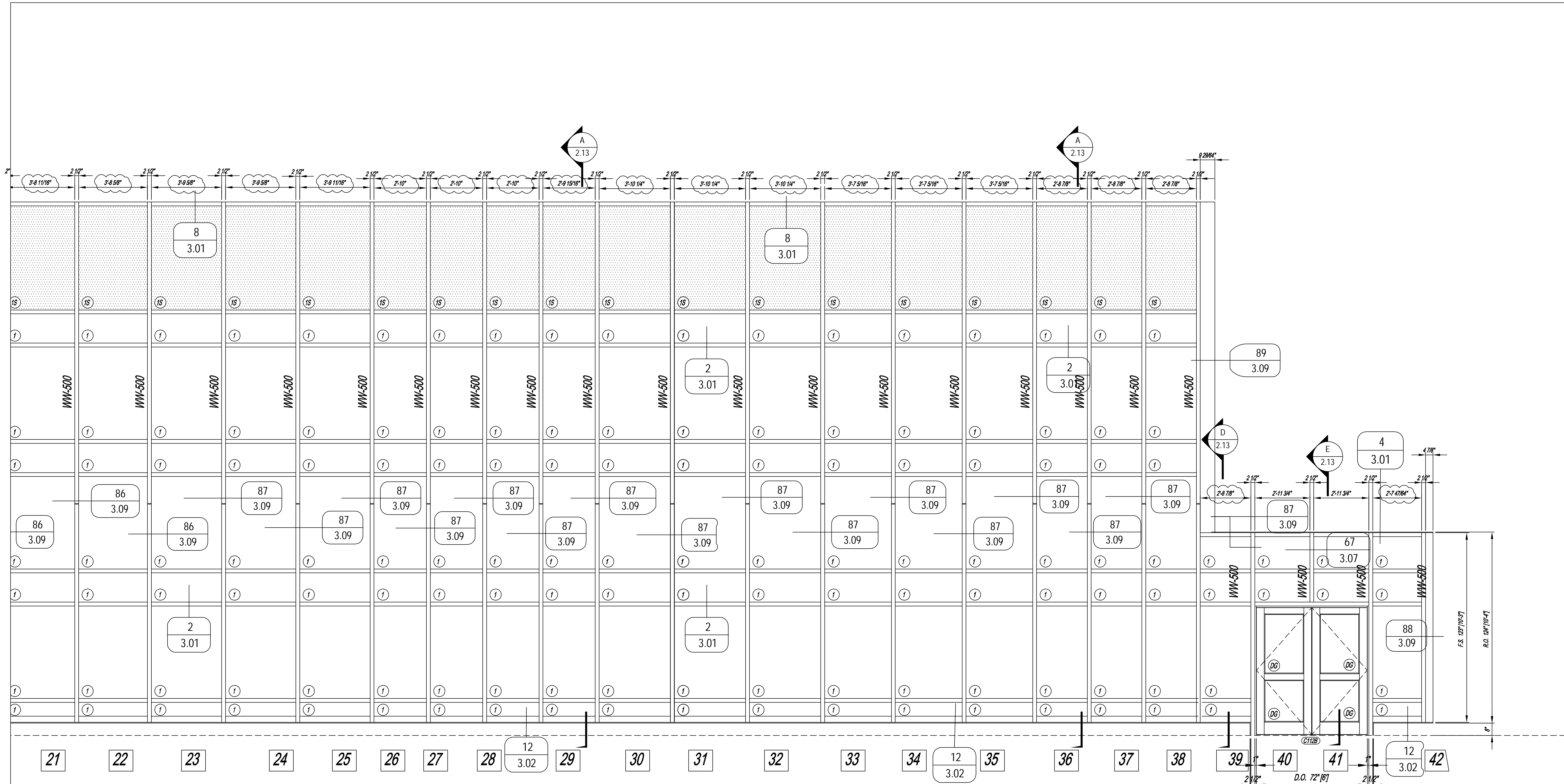


ELEVATION 33
 SCALE: 1/4" = 1'-0"
 OLD CASTLES BE RELIANCE - 2 1/2" X 7 1/4"
 EXTERIOR CURTAINWALL
 1" INSULATED GLASS (FRONT SET)
 QUANTITY: 1

GC: PLEASE COORDINATE THIS ROUGH OPENING TO THESE SHOP DRAWINGS. PRE FABRICATED DOORS DO NOT ALLOW FOR ADJUSTMENT AFTER FABRICATION.

- 53 3.05 DOOR HEADER
- 54 3.05 DOOR MID RAIL
- 55 3.05 DOOR BOTTOM RAIL
- 147 3.18 DOOR LEFT JAMB
- 148 3.18 DOOR MEETING STILE
- 149 3.18 DOOR RIGHT JAMB

PROJECT: PROJECT NAME & ADDRESS		10/30/11	DATE
		8/11/11	DATE
PROJECT NAME & ADDRESS		1ST. REVISION	DESCRIPTION
		1ST. SUBMISSION	DRAWING SUBMISSION
NO			
PROJECT NAME & ADDRESS		ARCHITECT	CUSTOMER
DRAWN BY: GL	DATE: 8/11/11		
CHECKED BY: CCW	DATE: 8/11/11		
JOB NAME: PINE SHADOWS ELEMENTARY			
SHEET NO: 2.11			



ELEVATION 33
 SCALE: 1/4" = 1'-0"
 OLD CASTLES BE RELIANCE - 2 1/2" X 7 1/4"
 EXTERIOR CURTAINWALL
 1" INSULATED GLASS (FRONT SET)
 QUANTITY: 1

GC: PLEASE COORDINATE THIS ROUGH OPENING TO THESE SHOP DRAWINGS. PRE FABRICATED DOORS DO NOT ALLOW FOR ADJUSTMENT AFTER FABRICATION.

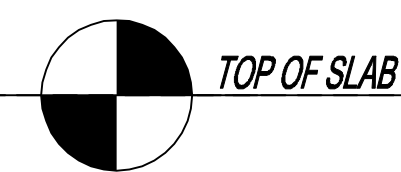
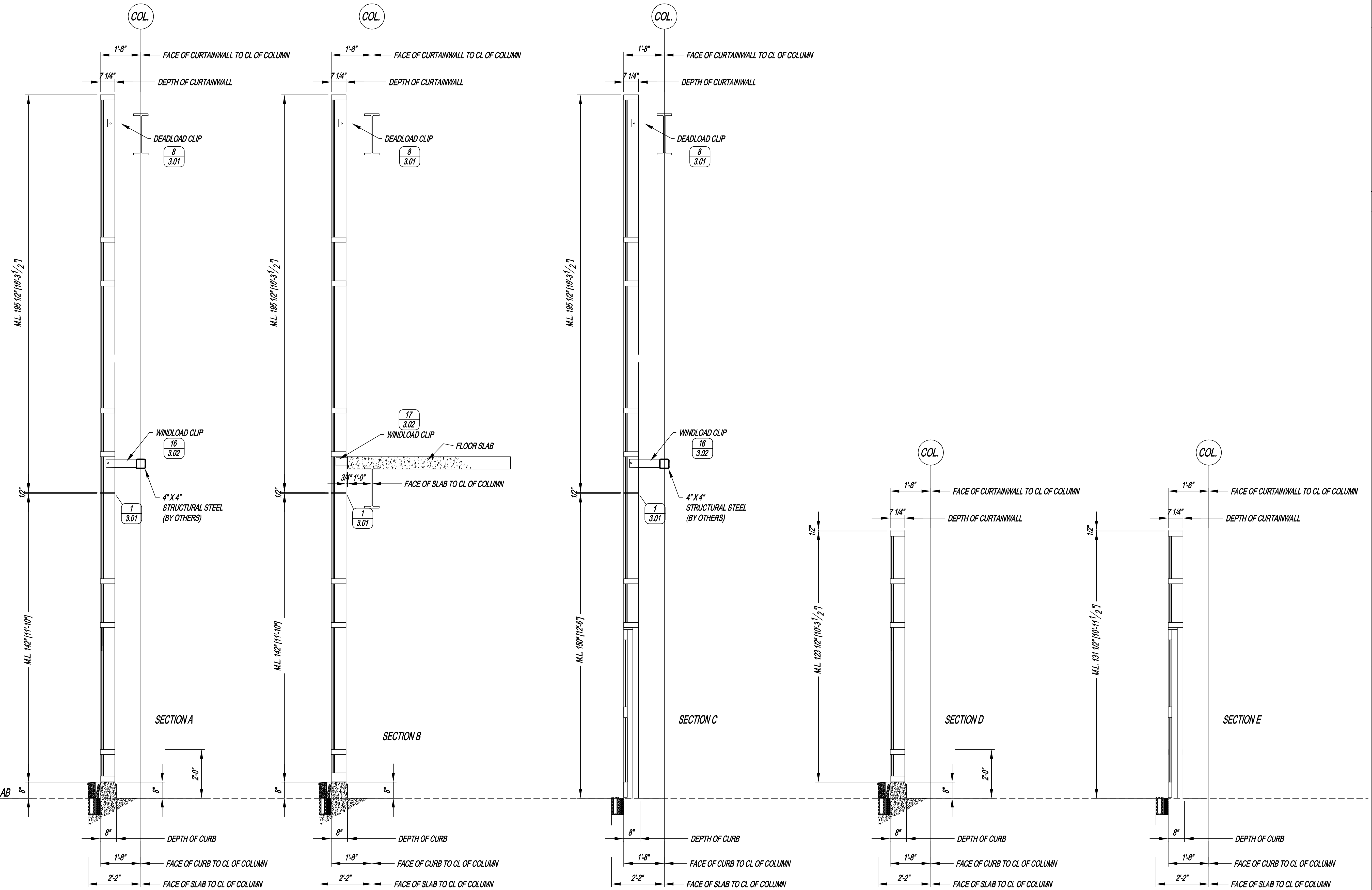
- 53 3.05 DOOR HEADER
- 54 3.05 DOOR MID RAIL
- 55 3.05 DOOR BOTTOM
- 147 3.18 DOOR LEFT JAMB
- 148 3.18 DOOR MEETING
- 149 3.18 DOOR RIGHT JAMB

PROJECT NAME AND ADDRESS

PROJECT: PROJECT NAME & ADDRESS

NO	DESCRIPTION	DATE
10/30/11	1ST. REVISION	
8/11/11	1ST. SUBMISSION	
	DRAWING SUBMISSION	

PROJECT:	PROJECT NAME & ADDRESS
ARCHITECT:	
CUSTOMER:	
DRAWN BY:	GL
DATE:	8/11/11
CHECKED BY:	CCW
DATE:	8/11/11
JOB NAME:	PINE SHADOWS ELEMENTARY
SHEET NO.:	2.12

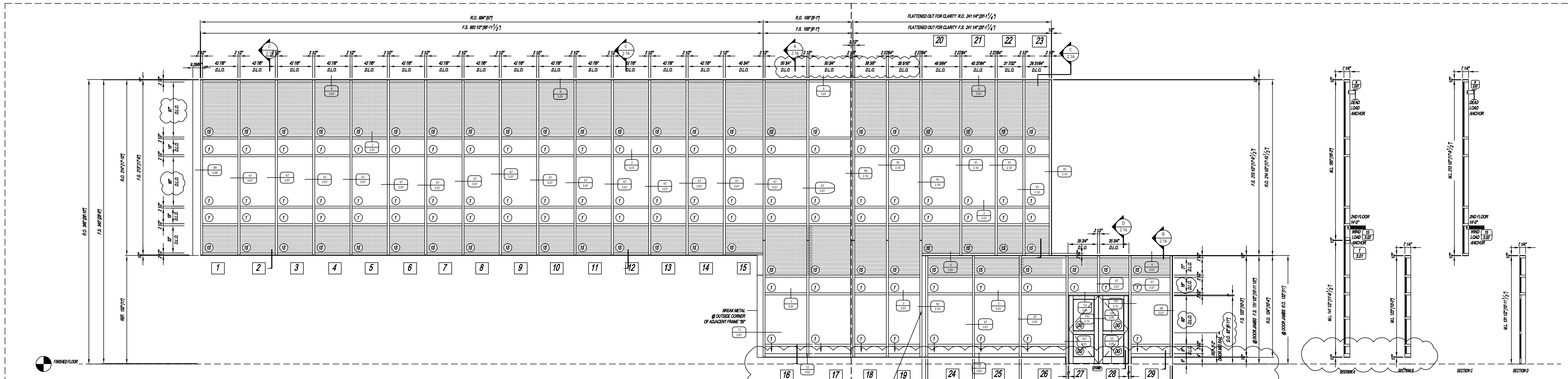


SECTION

33

SCALE: $\frac{1}{4}" = 1'-0"$
 OLD CASTLES BE RELIANCE - 2 1/2" X 7 1/4"
 EXTERIOR CURTAINWALL
 1" INSULATED GLASS (FRONT SET)
 QUANTITY: 1

PROJECT NAME AND ADDRESS			
PROJECT NAME & ADDRESS			
NO	DESCRIPTION	DATE	DRAWING SUBMISSION
10/30/11	1ST. REVISION		
8/11/11	1ST. SUBMISSION		
PROJECT NAME & ADDRESS		ARCHITECT	DATE
PROJECT NAME & ADDRESS		CUSTOMER	DATE
GL		8/11/11	
CCW		8/11/11	
JOB NAME:			
PINE SHADOWS ELEMENTARY			
SHEET NO:			2.13



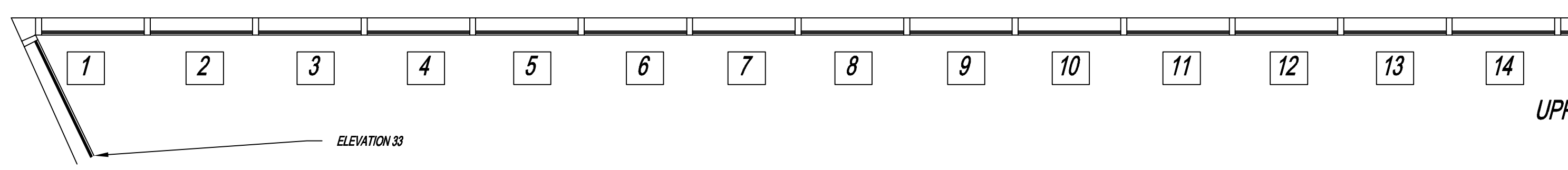
PAGE 2.15

PAGE 2.16

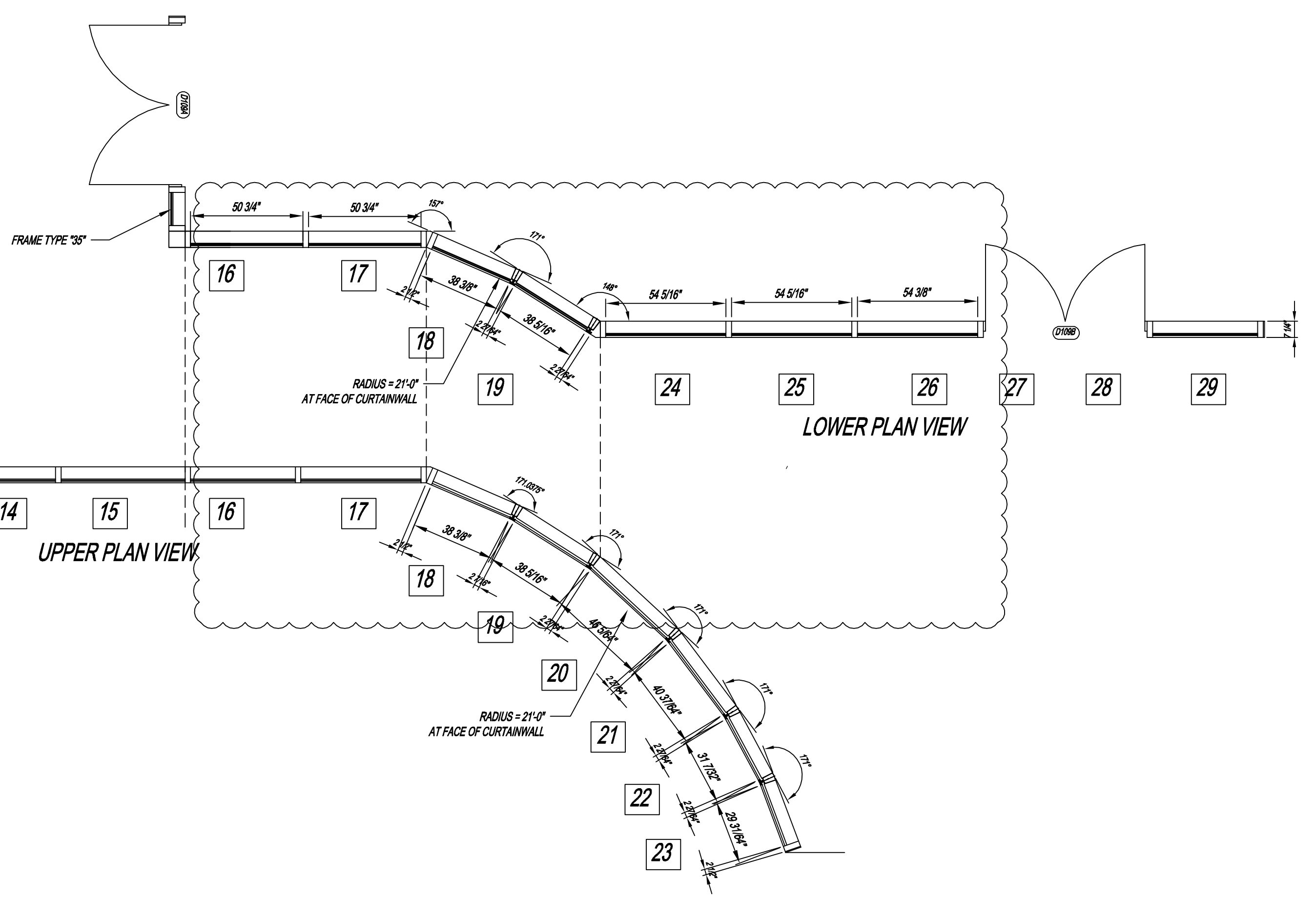
34

ELEVATION
 SCALE: 1/4" = 1'-0"
 OLD CASTLES BE RELIANCE - 2 1/2" X 7 1/4"
 EXTERIOR CURTAINWALL
 1" INSULATED GLASS (FRONT SET)
 QUANTITY: 1

ERECTOR / G.C. NOTE:
 PLEASE FIELD VERIFY ALL DIMENSIONS



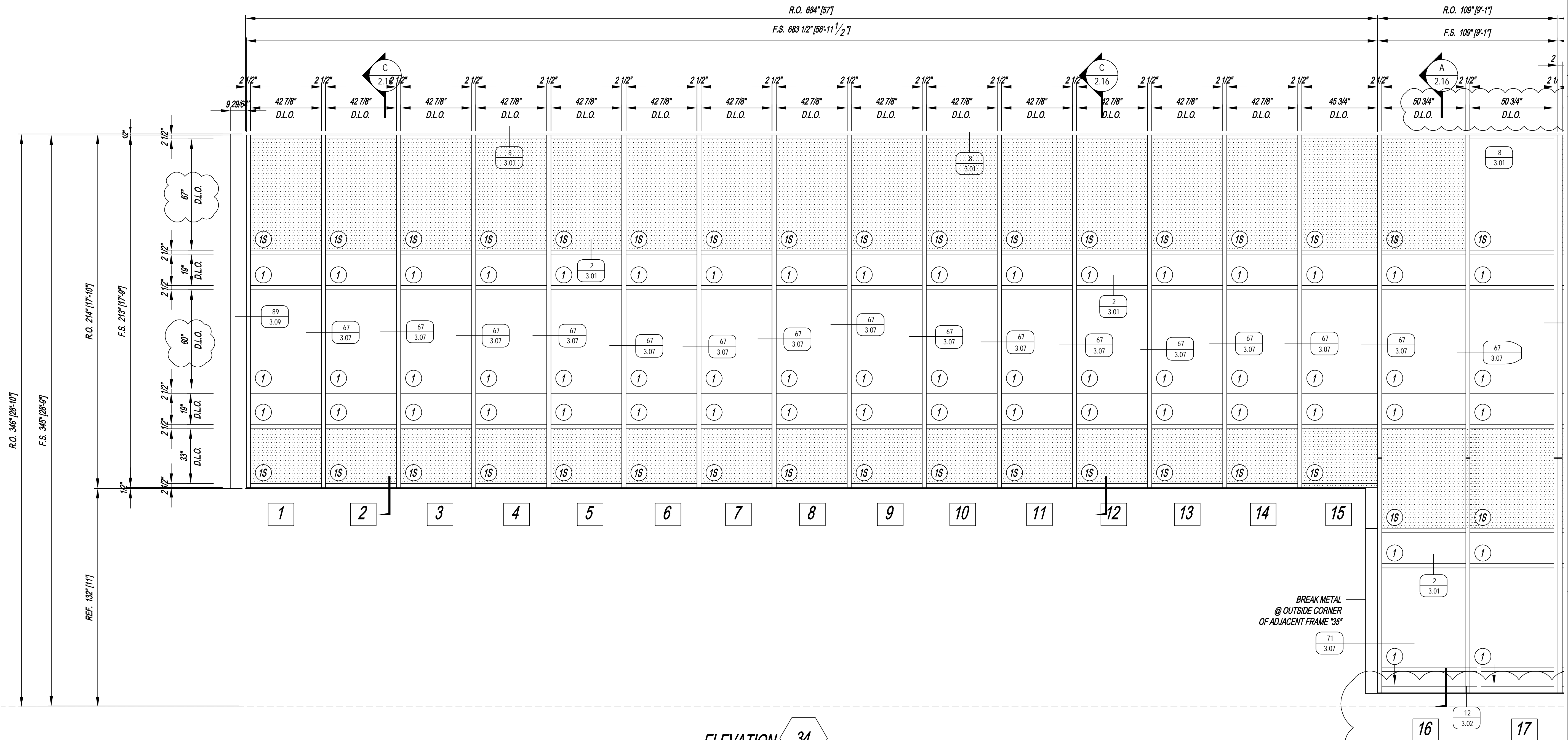
ELEVATION 34
 SCALE: T.S.
 OLD CASTLES BE RELIANCE - 2 1/2" X 7 1/4"
 EXTERIOR CURTAINWALL
 1" INSULATED GLASS (FRONT SET)
 QUANTITY: 1



NO	DESCRIPTION	DATE
10/30/11	1ST. REVISION	
8/11/11	1ST. SUBMISSION	

PROJECT NAME AND ADDRESS

PROJECT:	PROJECT NAME & ADDRESS
DRAWN BY:	GL
CHECKED BY:	CCW
DATE:	8/11/11
ARCHITECT:	
CUSTOMER:	
JOB NAME:	PINE SHADOWS ELEMENTARY
SHEET NO.:	2.14

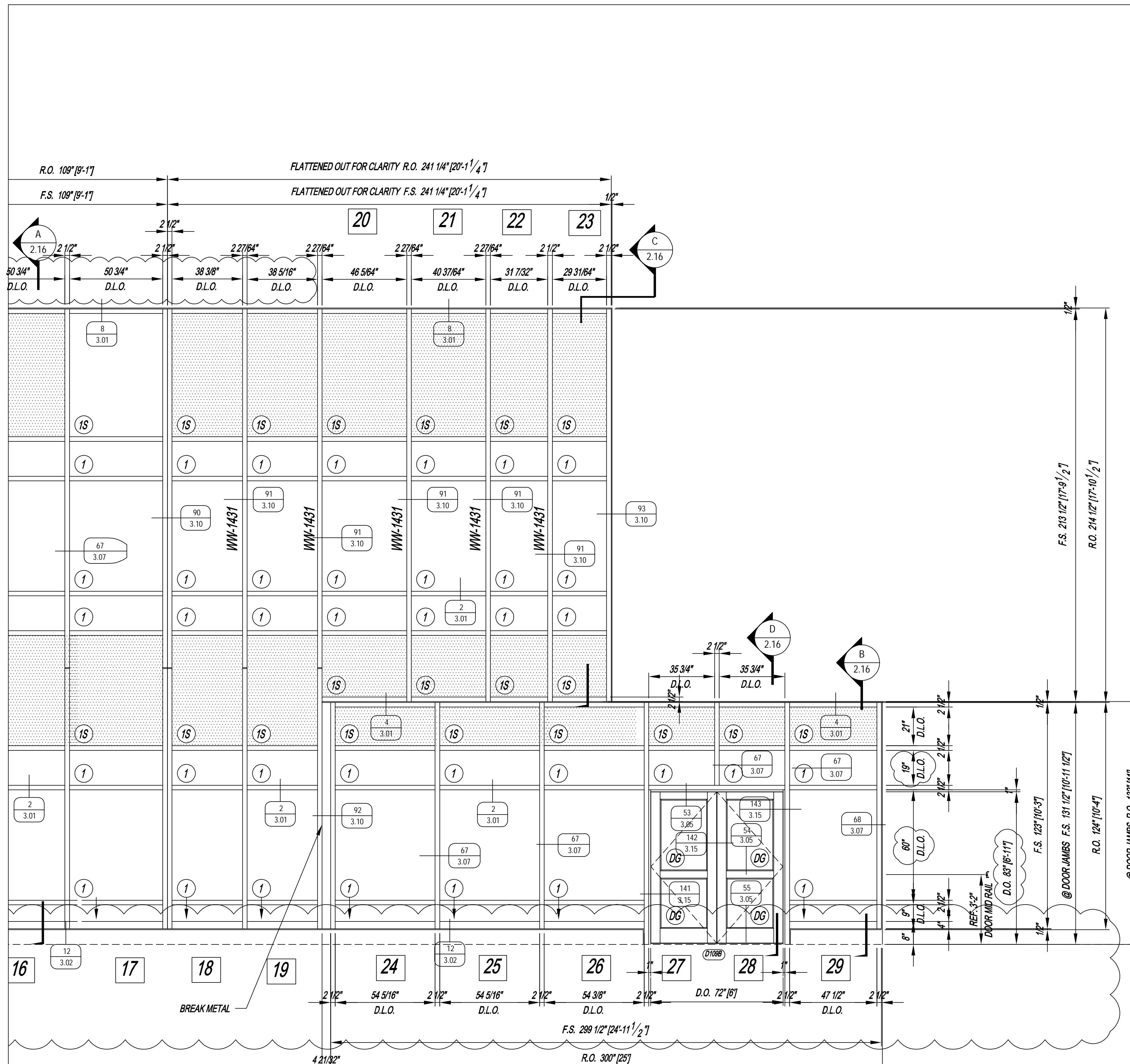


ELEVATION 34
 SCALE: 3/8" = 1'-0"
 OLD CASTLES BE RELIANCE - 2 1/2" X 7 1/4"
 EXTERIOR CURTAINWALL
 1" INSULATED GLASS (FRONT SET)
 QUANTITY: 1

NO	DESCRIPTION	DATE
10/30/11	1ST. REVISION	
8/11/11	1ST. SUBMISSION	
	DRAWING SUBMISSION	

PROJECT NAME AND ADDRESS

PROJECT: PROJECT NAME & ADDRESS	
DRAWN BY: GL	DATE: 8/11/11
CHECKED BY: CCW	DATE: 8/11/11
JOB NAME: PINE SHADOWS ELEMENTARY	
SHEET NO.: 2.15	

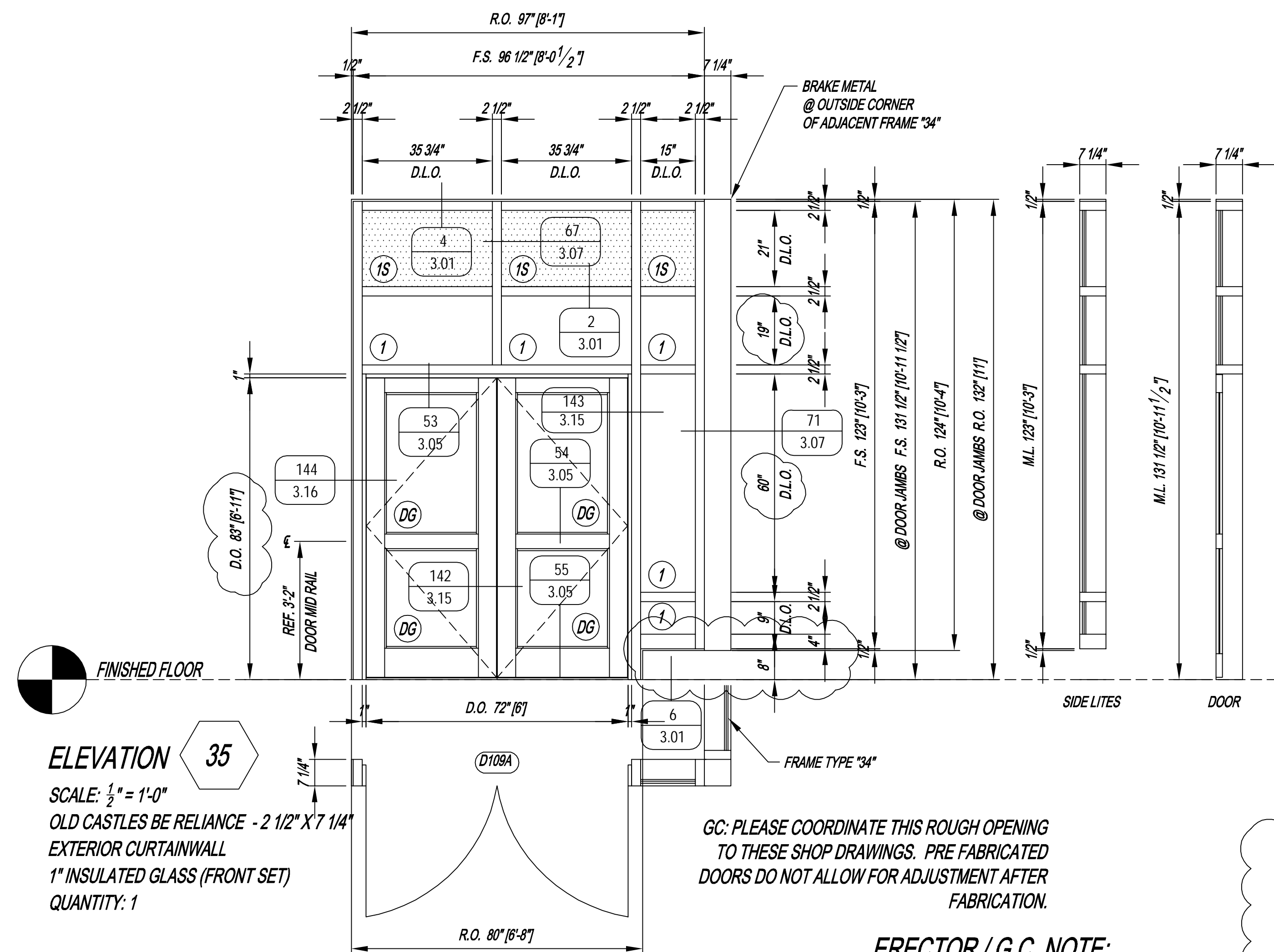


ERECTOR / G.C. NOTE:
 PLEASE FIELD VERIFY ALL DIMENSIONS

7 1/4"

ELEVATION 34
 SCALE: 3/8" = 1'-0"
 OLD CASTLES BE RELIANCE - 2 1/2" X 7 1/4"
 EXTERIOR CURTAINWALL
 1" INSULATED GLASS (FRONT SET)
 QUANTITY: 1

PROJECT: PROJECT NAME & ADDRESS		ARCHITECT: PROJECT NAME & ADDRESS		CUSTOMER: PROJECT NAME & ADDRESS	
NO.	DESCRIPTION	DATE	DRAWING SUBMISSION		
10/30/11	1ST. REVISION	8/11/11			
8/11/11	1ST. SUBMISSION	8/11/11			
PROJECT NAME AND ADDRESS					
PROJECT NAME & ADDRESS					
SHEET NO.: 2.16					

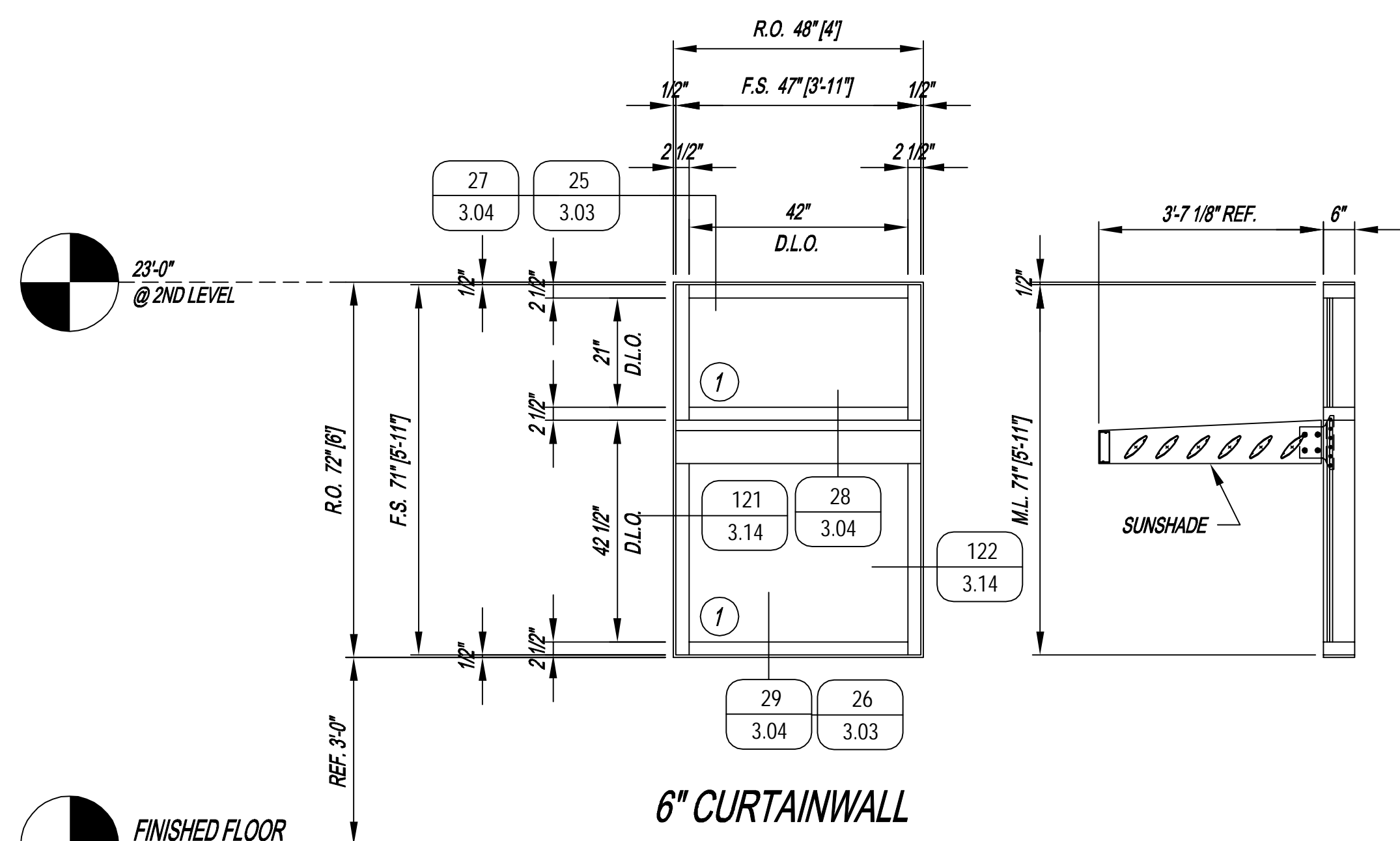


ELEVATION 35

SCALE: 1/2" = 1'-0"
 OLD CASTLES BE RELIANCE - 2 1/2" X 7 1/4"
 EXTERIOR CURTAINWALL
 1" INSULATED GLASS (FRONT SET)
 QUANTITY: 1

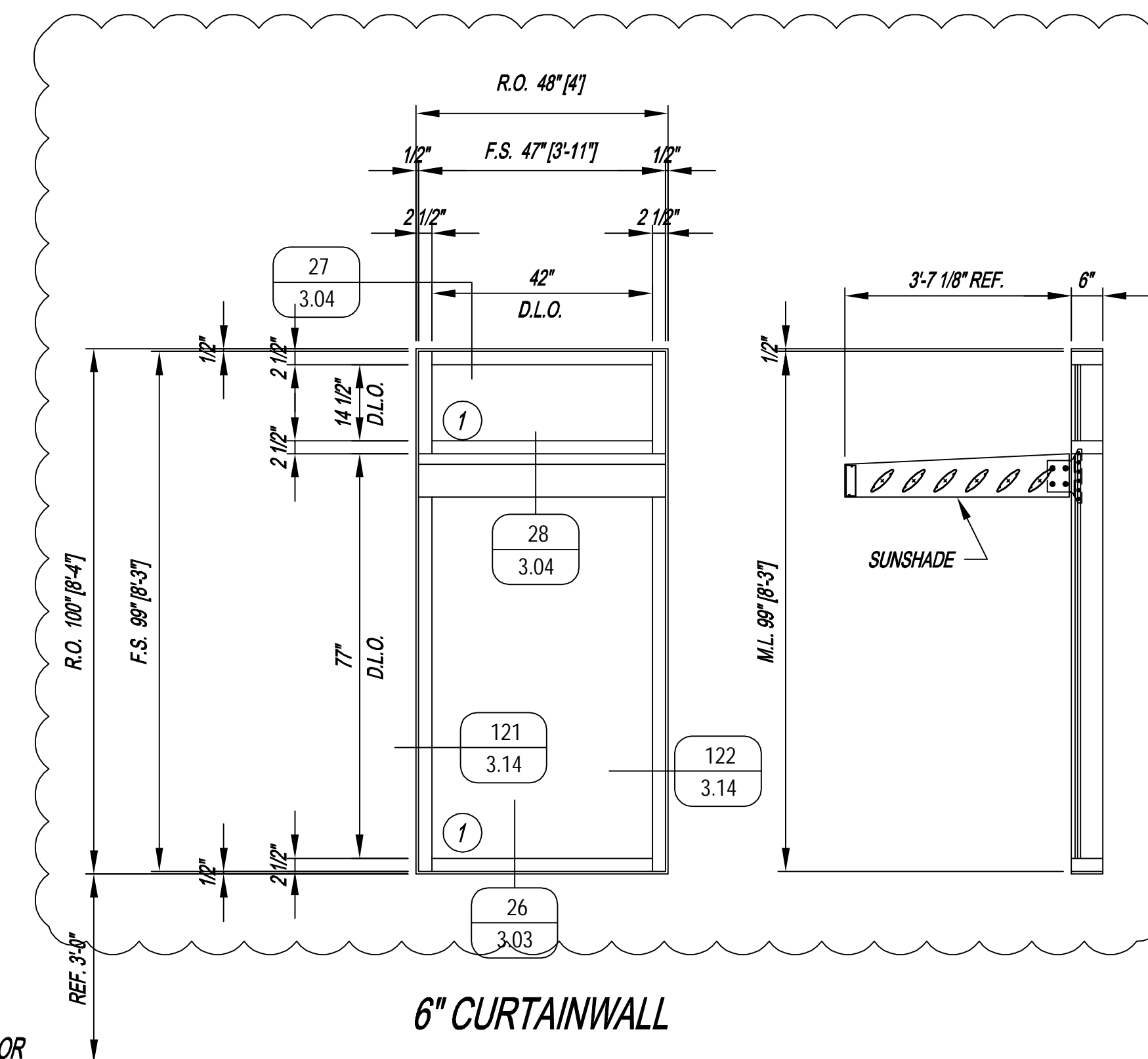
GC: PLEASE COORDINATE THIS ROUGH OPENING
 TO THESE SHOP DRAWINGS. PRE FABRICATED
 DOORS DO NOT ALLOW FOR ADJUSTMENT AFTER
 FABRICATION.

ERECTOR / G.C. NOTE:
 PLEASE FIELD VERIFY ALL DIMENSIONS



ELEVATION A

SCALE: 1/2" = 1'-0"
 OLD CASTLES BE RELIANCE - 2 1/2" X 6"
 EXTERIOR CURTAINWALL
 1" INSULATED GLASS (FRONT SET)
 QUANTITY: 48



ELEVATION A1

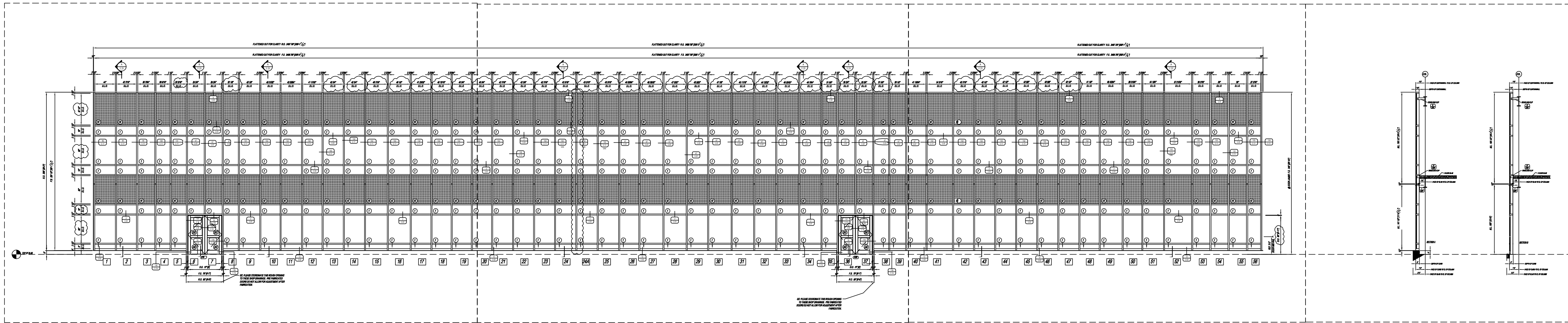
SCALE: 1/2" = 1'-0"
 OLD CASTLES BE RELIANCE - 2 1/2" X 6"
 EXTERIOR CURTAINWALL
 1" INSULATED GLASS (FRONT SET)
 QUANTITY: 3

PROJECT NAME AND ADDRESS

PROJECT: PROJECT NAME & ADDRESS

DRAWN BY: GL	DATE: 8/11/11
CHECKED BY: CCW	DATE: 8/11/11
JOB NAME: PINE SHADOWS ELEMENTARY	
SHEET NO.:	

NO	DESCRIPTION	DATE
10/30/11	1ST. REVISION	
8/11/11	1ST. SUBMISSION	



PAGE 2.20

PAGE 2.21

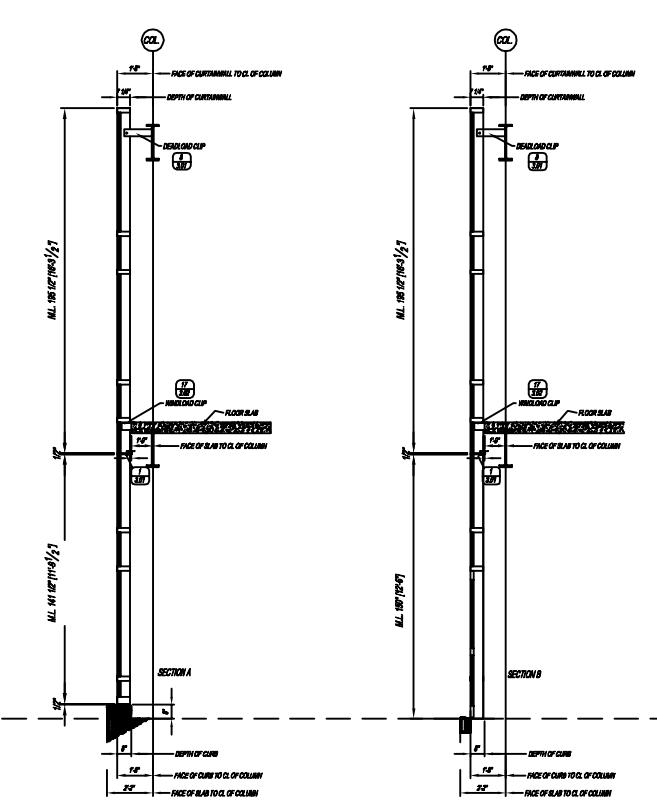
PAGE 2.22

PAGE 2.23

ELEVATION

SCALE: N.T.S.
 OLD CASTLES BE RELIANCE - 2 1/2" X 7 1/4"
 EXTERIOR CURTAINWALL
 1" INSULATED GLASS (FRONT SET)
 QUANTITY: 1

36



PROJECT NAME AND ADDRESS

PROJECT: PROJECT NAME & ADDRESS

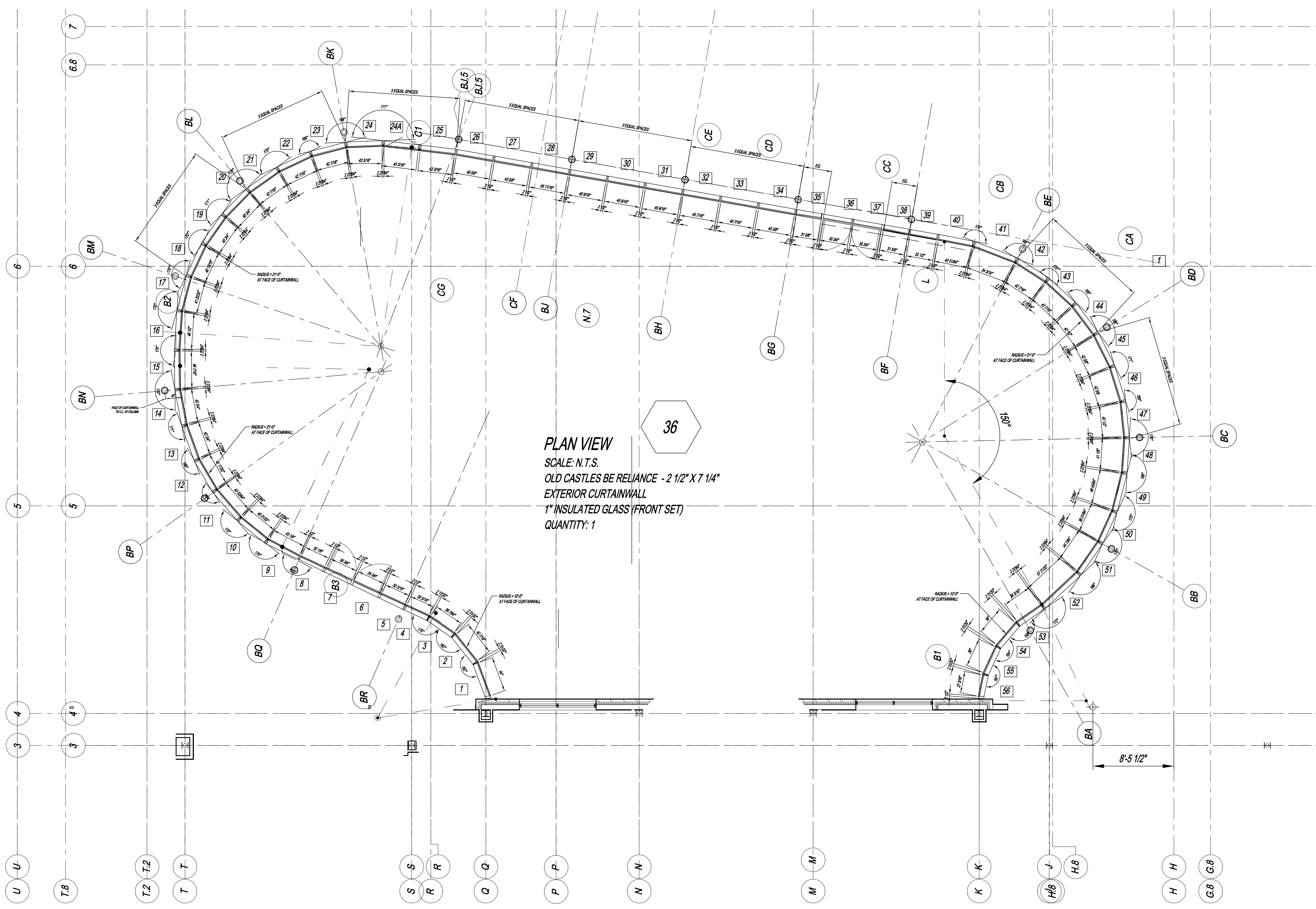
DRAWN BY: GL DATE: 8/11/11

CHECKED BY: CCW DATE: 8/11/11

JOB NAME: PINE SHADOWS ELEMENTARY

SHEET NO.: 2.18

NO	DESCRIPTION	DATE
10/30/11	1ST. REVISION	
8/11/11	1ST. SUBMISSION	
	DRAWING SUBMISSION	



PLAN VIEW
 SCALE: N.T.S.
 OLD CASTLES BE RELIANCE - 2 1/2" X 7 1/4"
 EXTERIOR CURTAINWALL
 1" INSULATED GLASS (FRONT SET)
 QUANTITY: 1

PROJECT NAME AND ADDRESS

PROJECT: PROJECT NAME & ADDRESS

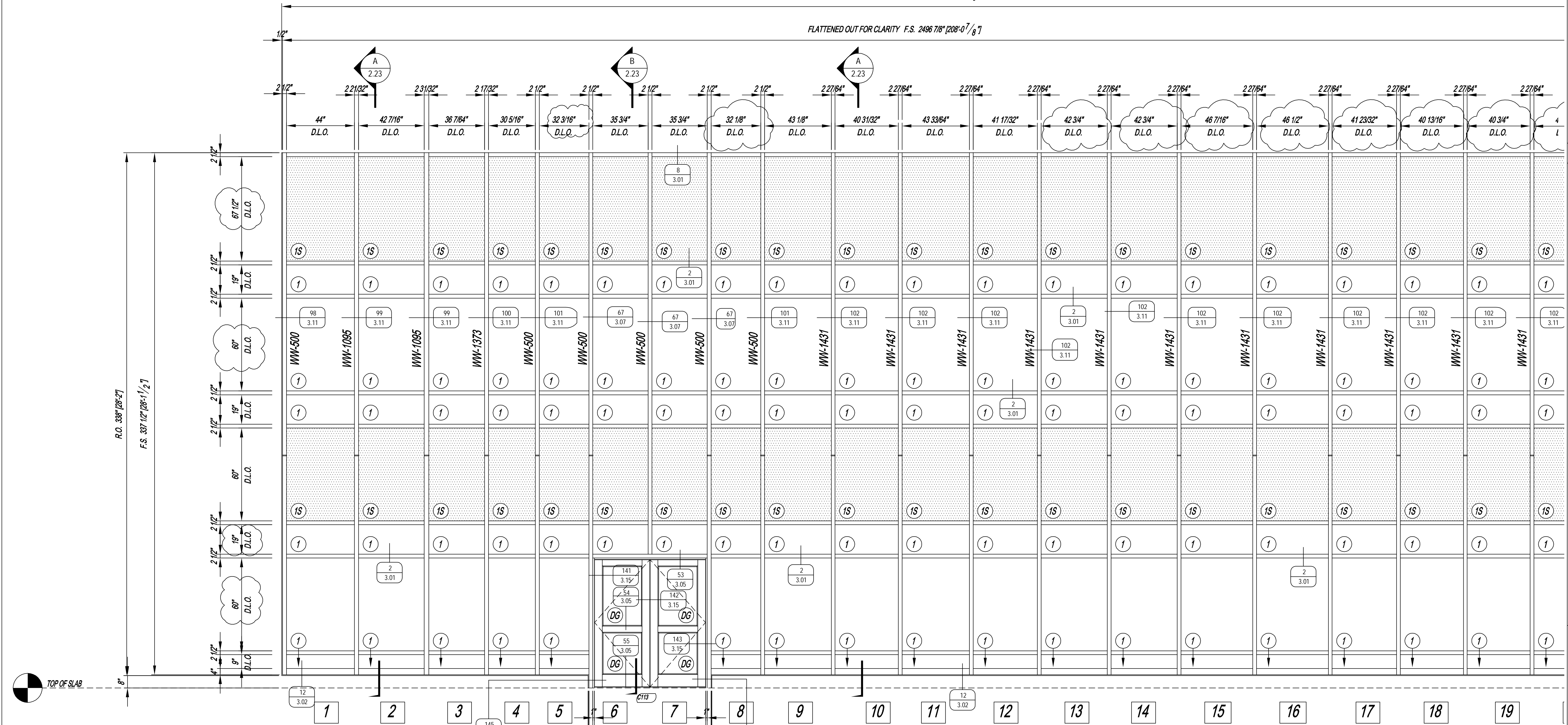
DRAWN BY: GL	DATE: 8/11/11
CHECKED BY: CCW	DATE: 8/11/11
JOB NAME: PINE SHADOWS ELEMENTARY	
SHEET NO.: 2.19	

NO	DESCRIPTION	DATE
1ST. REVISION		10/30/11
1ST. SUBMISSION		8/11/11

DRAWING SUBMISSION

FLATTENED OUT FOR CLARITY R.O. 2497 7/8" [208'-1 7/8"]

FLATTENED OUT FOR CLARITY F.S. 2496 7/8" [208'-0 7/8"]



ELEVATION 36

SCALE: 3/8" = 1'-0"
 OLD CASTLES BE RELIANCE - 2 1/2" X 7 1/4"
 EXTERIOR CURTAINWALL
 1" INSULATED GLASS (FRONT SET)
 QUANTITY: 1

PROJECT NAME AND ADDRESS

PROJECT: PROJECT NAME & ADDRESS

ARCHITECT: PROJECT NAME & ADDRESS

CUSTOMER: PROJECT NAME & ADDRESS

DRAWN BY: GL

CHECKED BY: CCW

JOB NAME: PINE SHADOWS ELEMENTARY

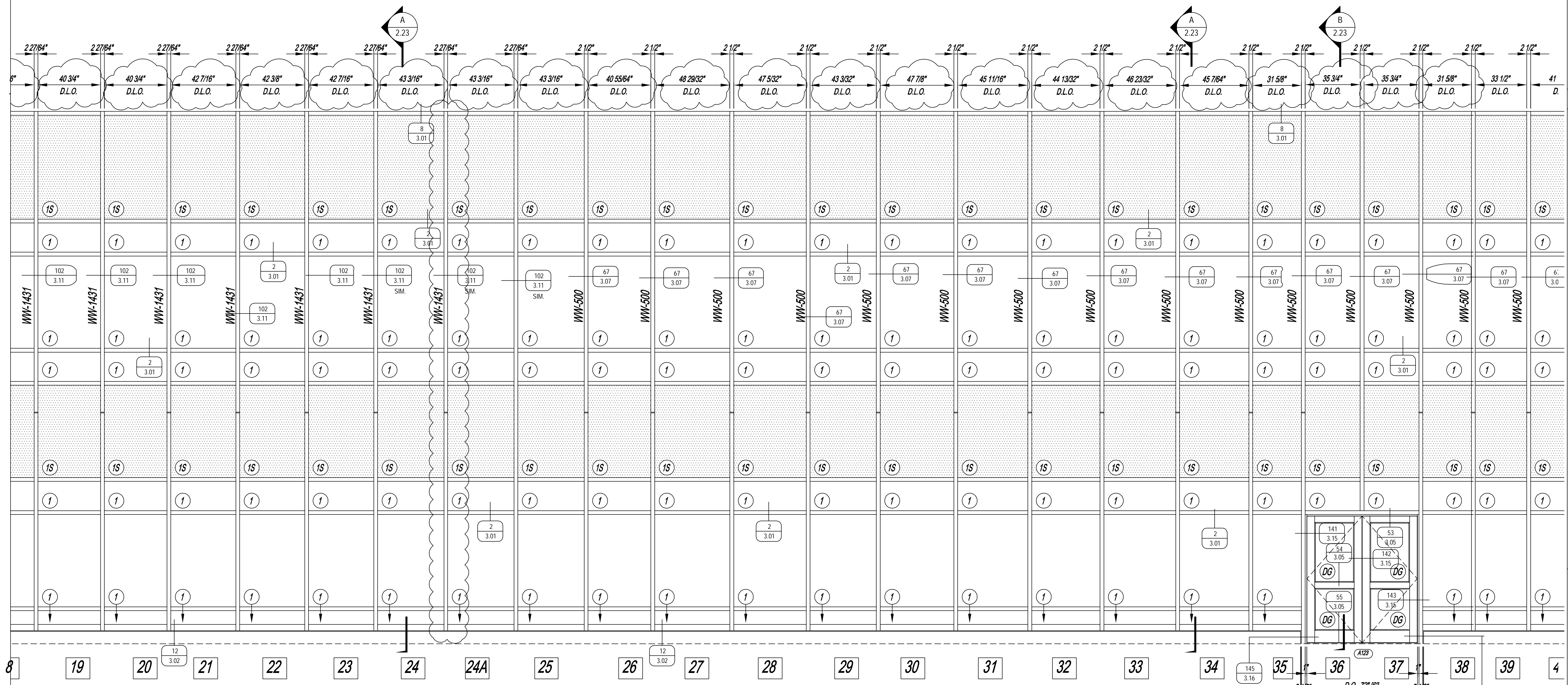
SHEET NO.: 2.20

NO	DESCRIPTION	DATE
1ST. REVISION		10/30/11
1ST. SUBMISSION		8/11/11

DRAWING SUBMISSION

FLATTENED OUT FOR CLARITY R.O. 2498 7/8" [208-2 7/8"]

FLATTENED OUT FOR CLARITY F.S. 2497 7/8" [208-1 7/8"]



PROJECT NAME AND ADDRESS

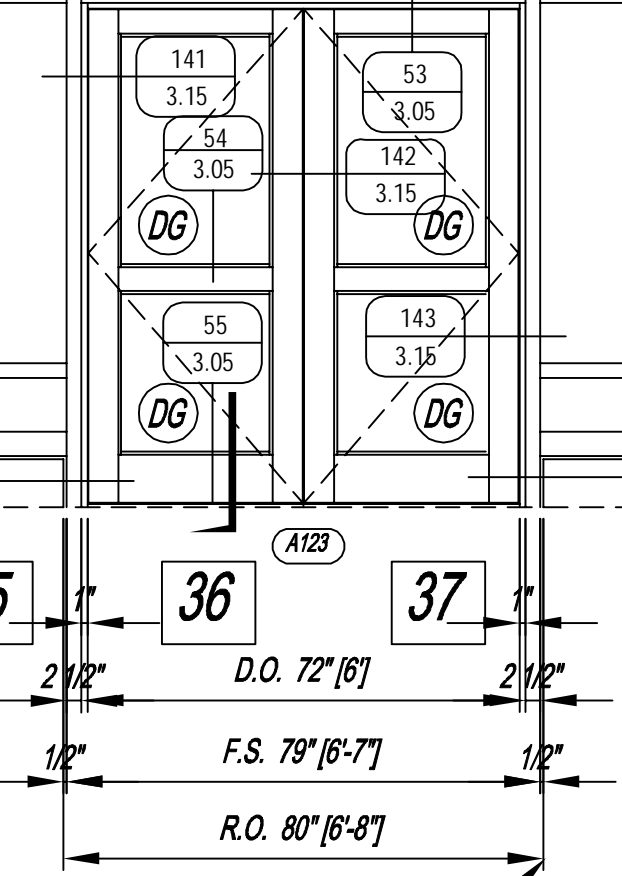
NO	DESCRIPTION	DATE
1ST. REVISION		10/30/11
1ST. SUBMISSION		8/11/11
	DRAWING SUBMISSION	

PROJECT NAME & ADDRESS

PROJECT:	ARCHITECT:	DATE:
PROJECT NAME & ADDRESS	GL	8/11/11
CUSTOMER:	CHECKED BY:	DATE:
	CCW	8/11/11
	JOB NAME:	
	PINE SHADOWS ELEMENTARY	
	SHEET NO.:	
	2.21	

ELEVATION 36
 SCALE: 3/8" = 1'-0"
 OLD CASTLES BE RELIANCE - 2 1/2" X 7 1/4"
 EXTERIOR CURTAINWALL
 1" INSULATED GLASS (FRONT SET)
 QUANTITY: 1

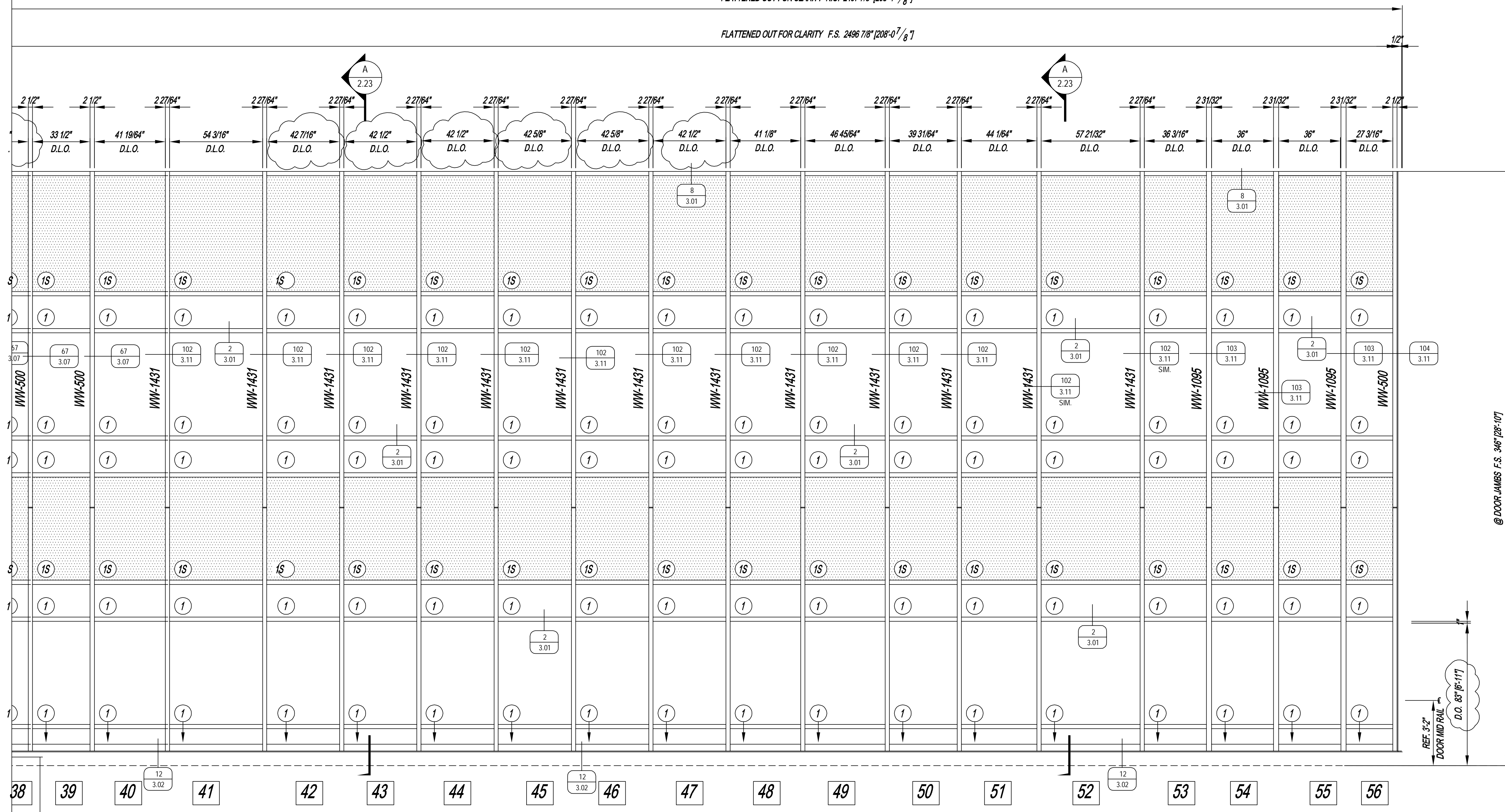
GC, PLEASE COORDINATE THIS ROUGH OPENING TO THESE SHOP DRAWINGS. PRE FABRICATED DOORS DO NOT ALLOW FOR ADJUSTMENT AFTER FABRICATION.



8 19 20 21 22 23 24 24A 25 26 27 28 29 30 31 32 33 34 35 36 37 38 39 4

FLATTENED OUT FOR CLARITY R.O. 2497 7/8" [208-1 7/8"]

FLATTENED OUT FOR CLARITY F.S. 2498 7/8" [208-0 7/8"]



PROJECT NAME AND ADDRESS

PROJECT NAME & ADDRESS

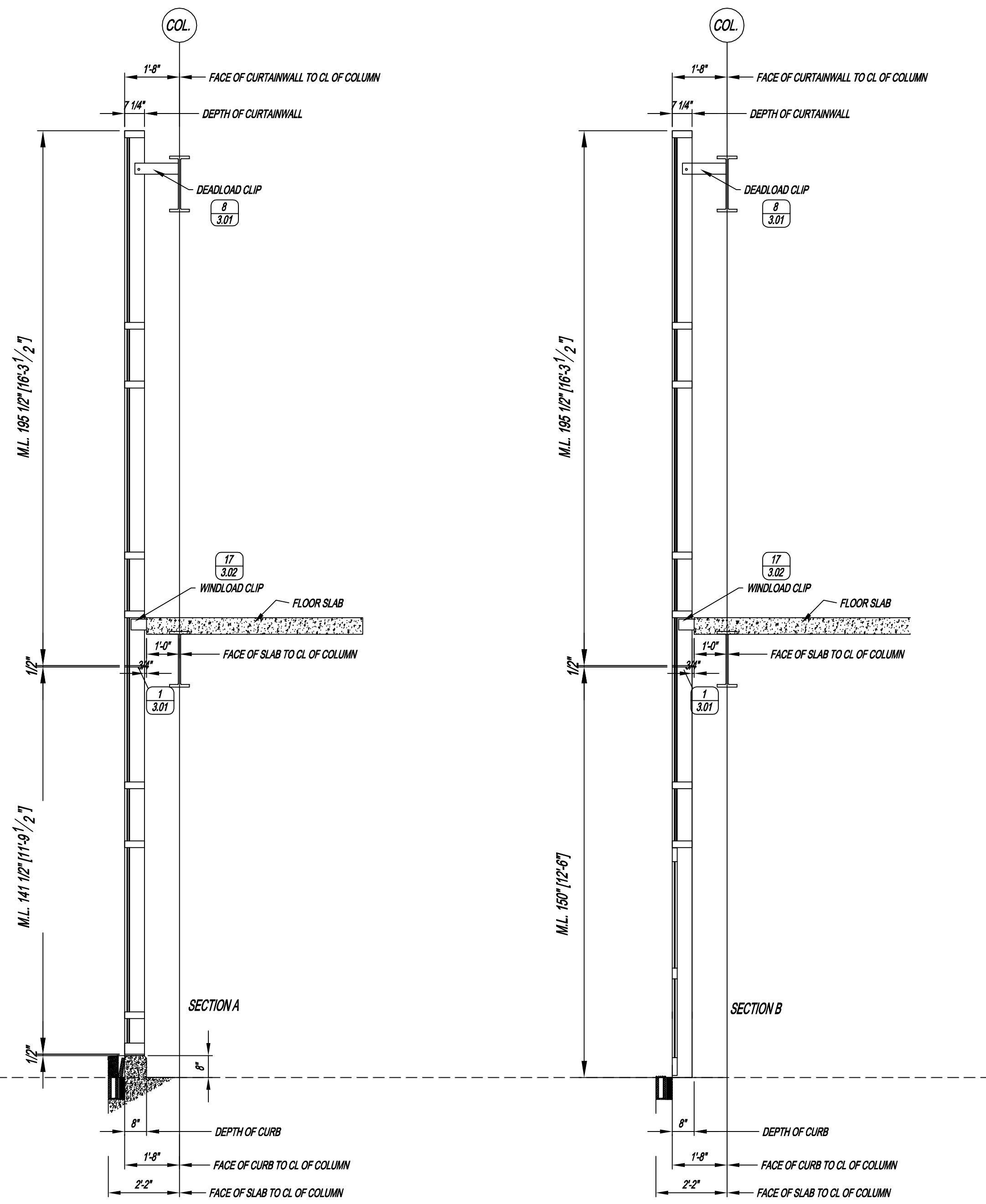
ELEVATION 36

SCALE: 3/8" = 1'-0"
OLD CASTLES BE RELIANCE - 2 1/2" X 7 1/4"
EXTERIOR CURTAINWALL
1" INSULATED GLASS (FRONT SET)
QUANTITY: 1

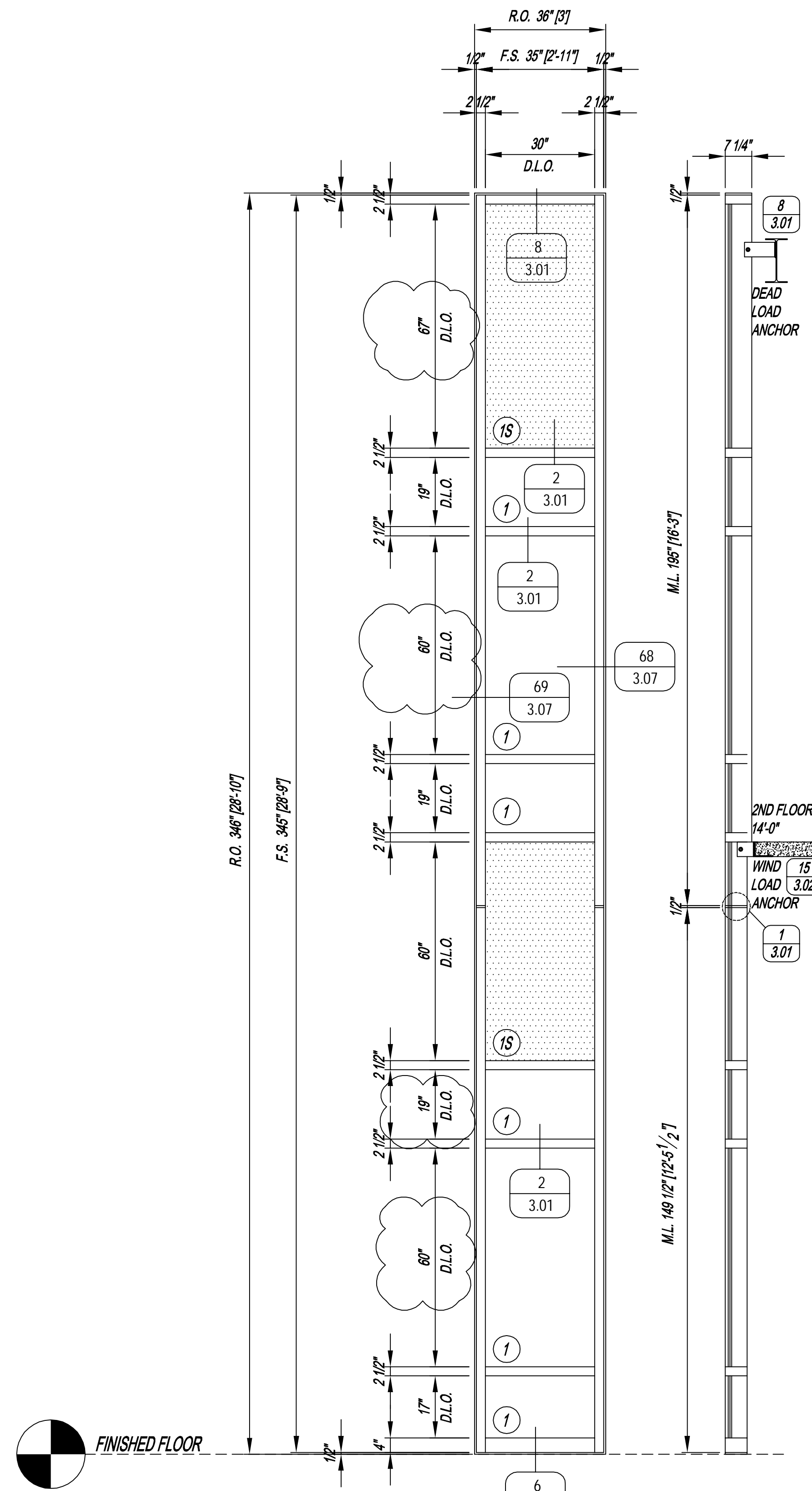
NO	DESCRIPTION	DATE
10/30/11	1ST. REVISION	
8/11/11	1ST. SUBMISSION	

PROJECT NAME AND ADDRESS

PROJECT:	ARCHITECT:	DATE:
PROJECT NAME & ADDRESS	GL	8/11/11
CUSTOMER:	CHECKED BY:	DATE:
	CCW	8/11/11
JOB NAME:		
PINE SHADOWS ELEMENTARY		
SHEET NO:		
2.22		

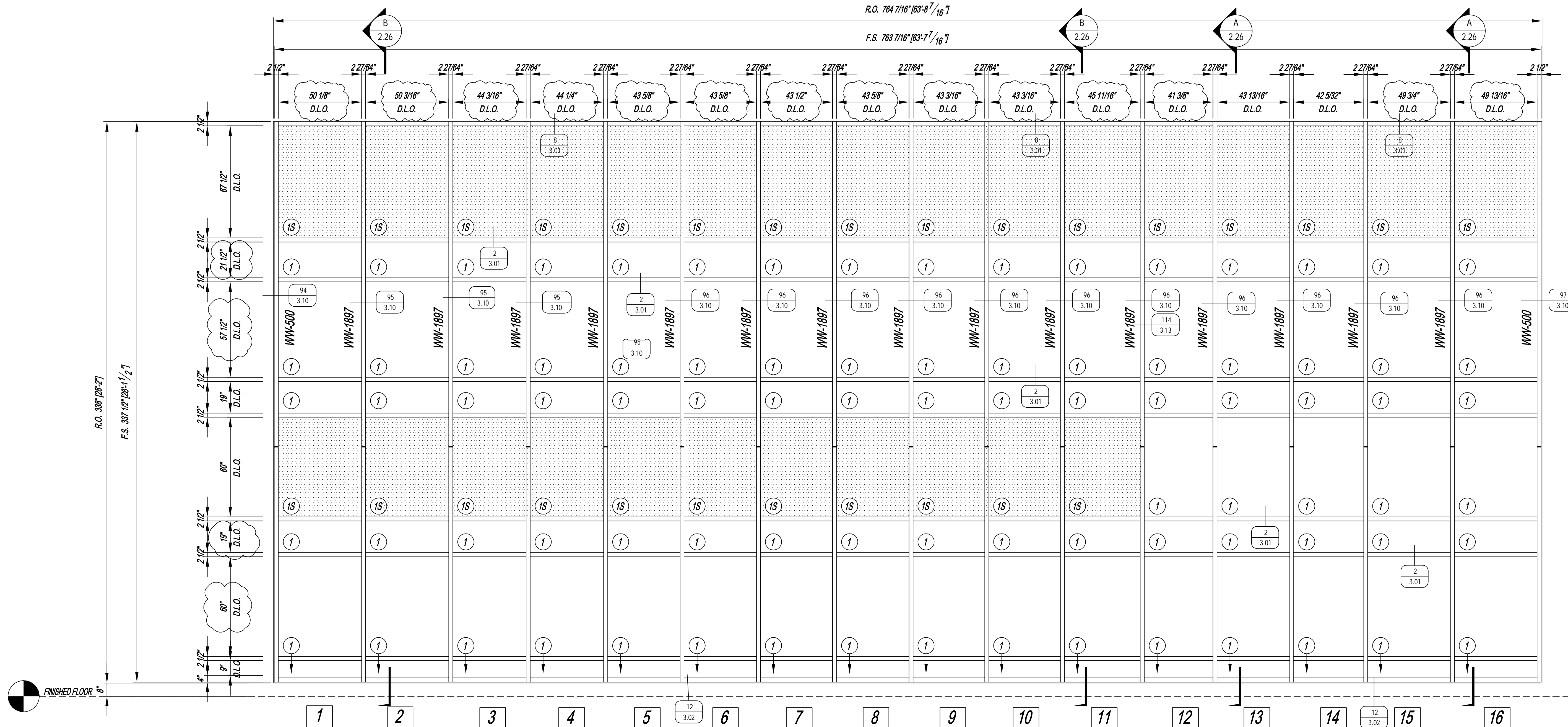


SECTION 36
 SCALE: 3/8" = 1'-0"
 OLD CASTLES BE RELIANCE - 2 1/2" X 7 1/4"
 EXTERIOR CURTAINWALL
 1" INSULATED GLASS (FRONT SET)
 QUANTITY: 1



ELEVATION C
 SCALE: 1/2" = 1'-0"
 OLD CASTLES BE RELIANCE - 2 1/2" X 7 1/4"
 EXTERIOR CURTAINWALL
 1" INSULATED GLASS (FRONT SET)
 QUANTITY: 2

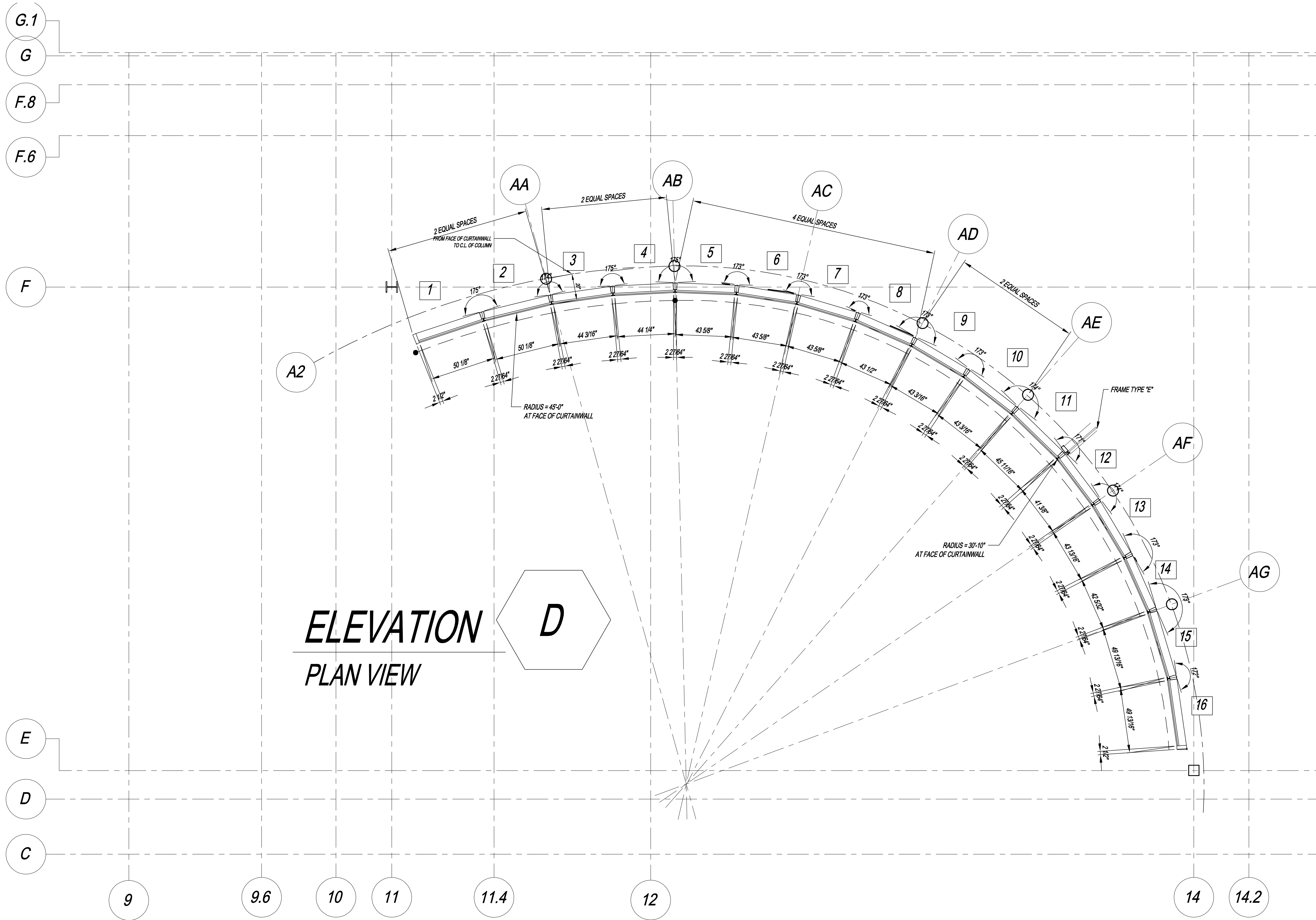
PROJECT NAME & ADDRESS		PROJECT NAME & ADDRESS	
PROJECT NAME & ADDRESS		PROJECT NAME & ADDRESS	
PROJECT:	PROJECT NAME & ADDRESS	ARCHITECT:	ARCHITECT
DRAWN BY:	GL	CUSTOMER:	CUSTOMER
CHECKED BY:	CCW	DATE:	8/11/11
JOB NAME:	PINE SHADOWS ELEMENTARY	DATE:	8/11/11
SHEET NO.:	2.23	NO	NO
		DESCRIPTION	DESCRIPTION
		1ST. SUBMISSION	1ST. SUBMISSION
		10/30/11	8/11/11
		DATE	DATE
		DRAWING SUBMISSION	DRAWING SUBMISSION



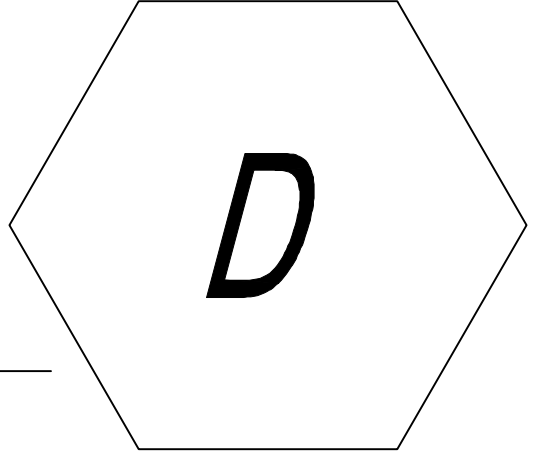
ELEVATION D
 SCALE: 3/8" = 1'-0"
 OLD CASTLES BE RELIANCE - 2 1/2" X 7 1/4"
 EXTERIOR CURTAINWALL
 1" INSULATED GLASS (FRONT SET)
 QUANTITY: 1

PROJECT: PROJECT NAME & ADDRESS		ARCHITECT: PROJECT NAME & ADDRESS		CUSTOMER: PROJECT NAME & ADDRESS	
10/30/11	1ST. REVISION	8/11/11	1ST. SUBMISSION	NO	DESCRIPTION
8/11/11	DATE				DRAWING SUBMISSION

PROJECT: PROJECT NAME & ADDRESS	ARCHITECT: PROJECT NAME & ADDRESS	CUSTOMER: PROJECT NAME & ADDRESS
DRAWN BY: GL	DATE: 8/11/11	
CHECKED BY: CCW	DATE: 8/11/11	
JOB NAME: PINE SHADOWS ELEMENTARY		
SHEET NO.: 2.24		



ELEVATION
PLAN VIEW

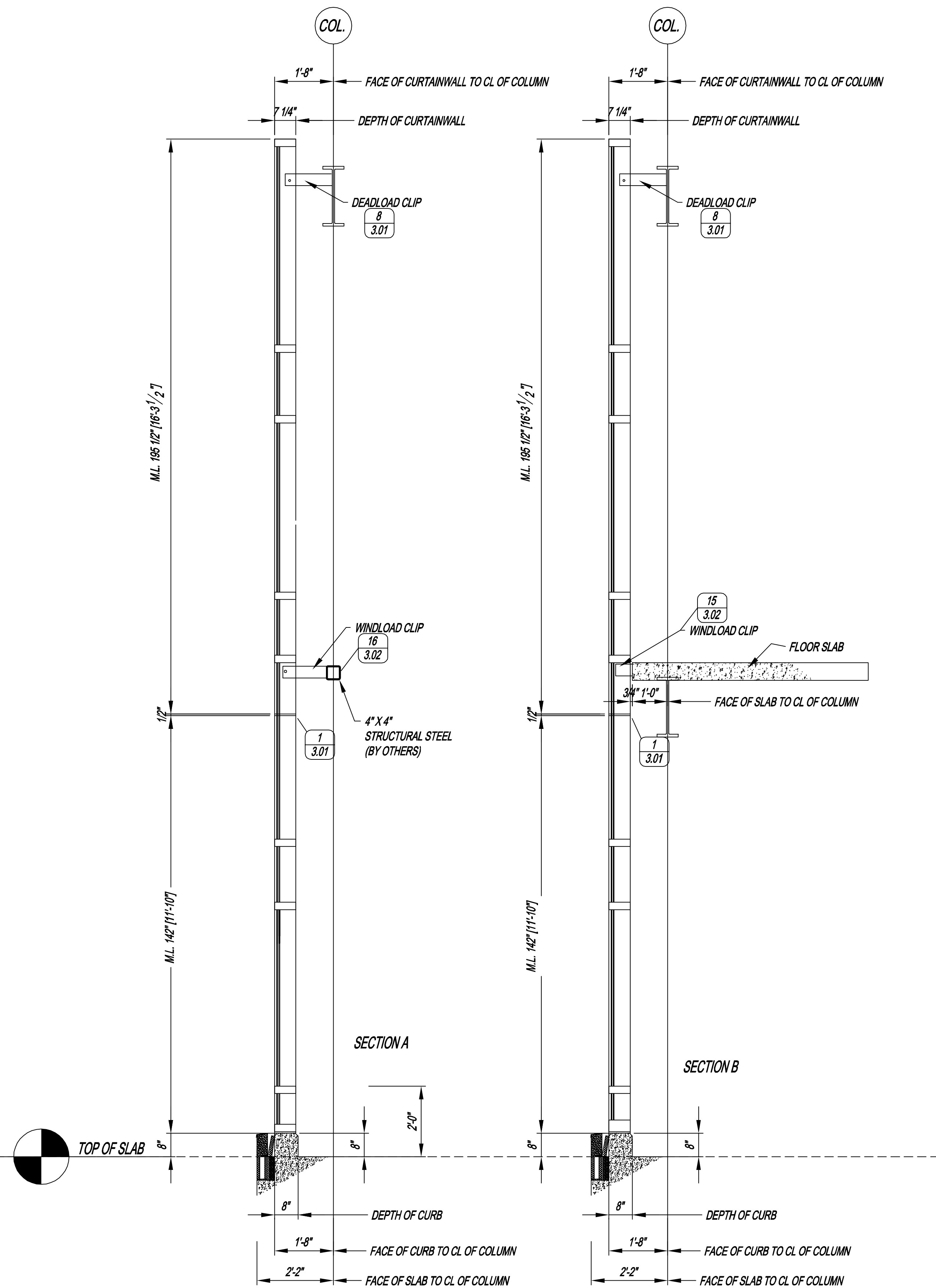


PROJECT NAME AND ADDRESS

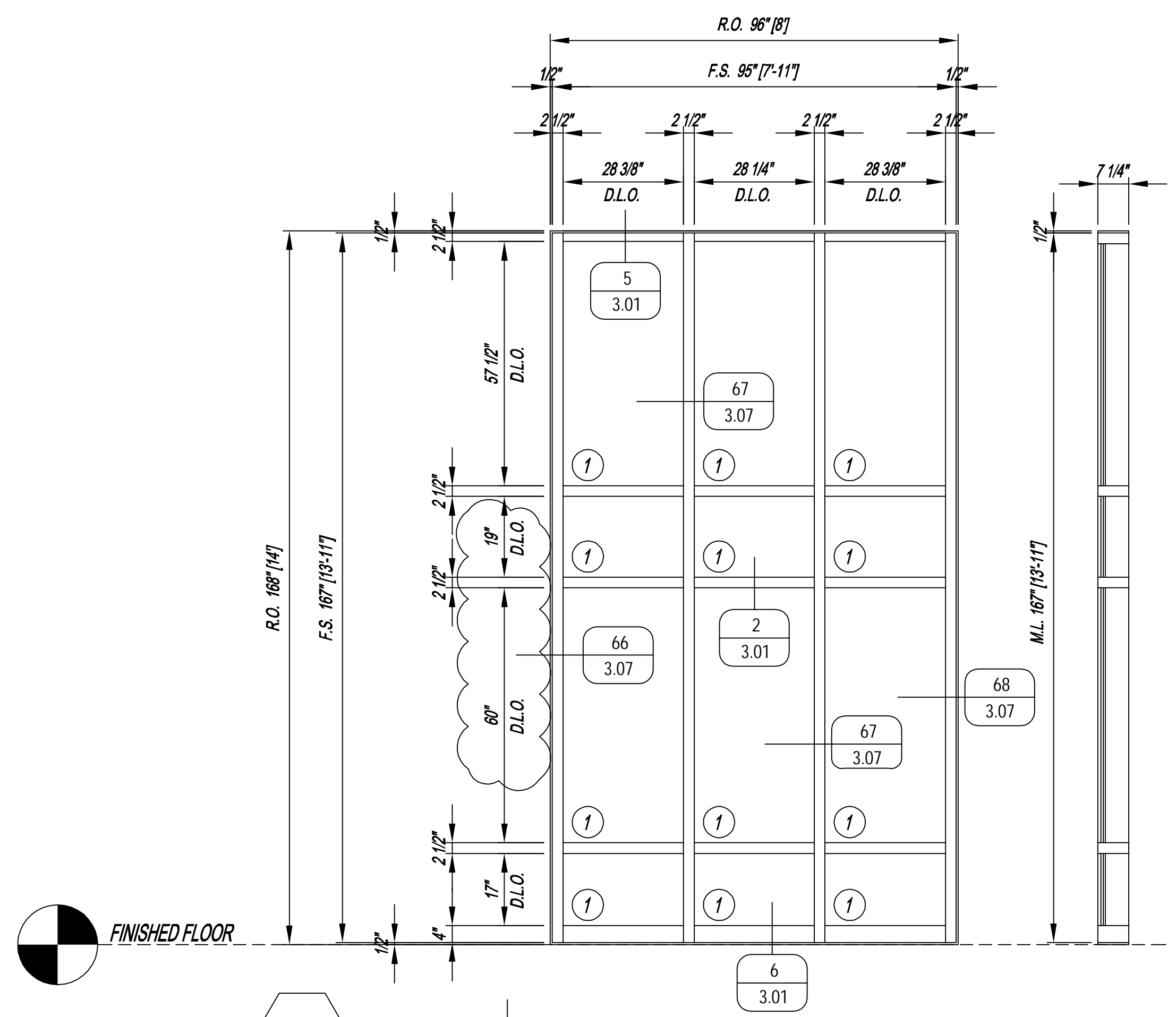
PROJECT NAME & ADDRESS

PROJECT:	ARCHITECT:	DATE:
JOB NAME:	CUSTOMER:	
DRAWN BY: GL		
CHECKED BY: CCW		
DATE: 8/11/11		
SHEET NO.: 2.25		

NO	DESCRIPTION	DATE
10/30/11	1ST. REVISION	
8/11/11	1ST. SUBMISSION	
	DRAWING SUBMISSION	

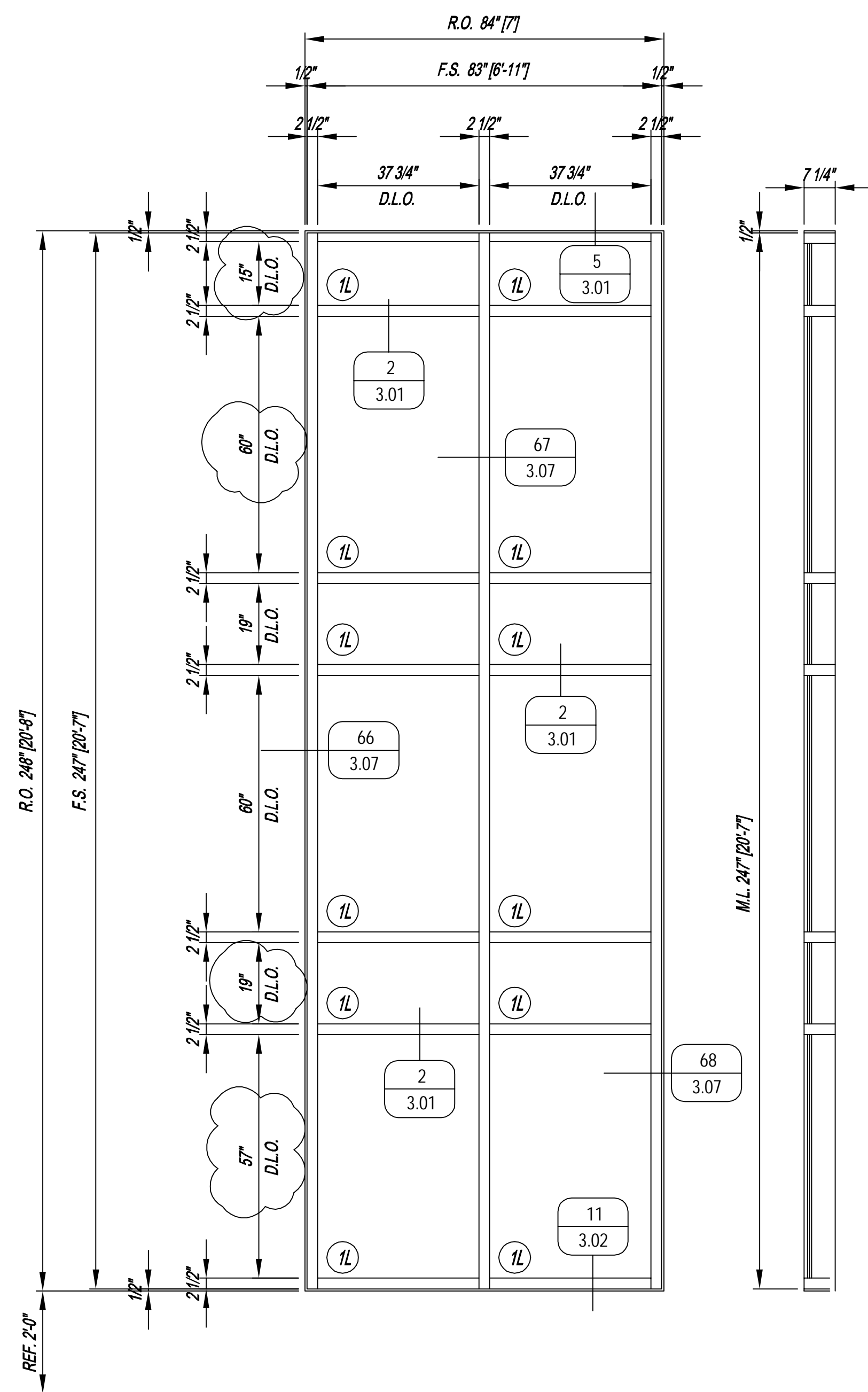


ELEVATION D
 SCALE: 1/4" = 1'-0"
 OLD CASTLES BE RELIANCE - 2 1/2" X 7 1/4"
 EXTERIOR CURTAINWALL
 1" INSULATED GLASS (FRONT SET)
 QUANTITY: 1

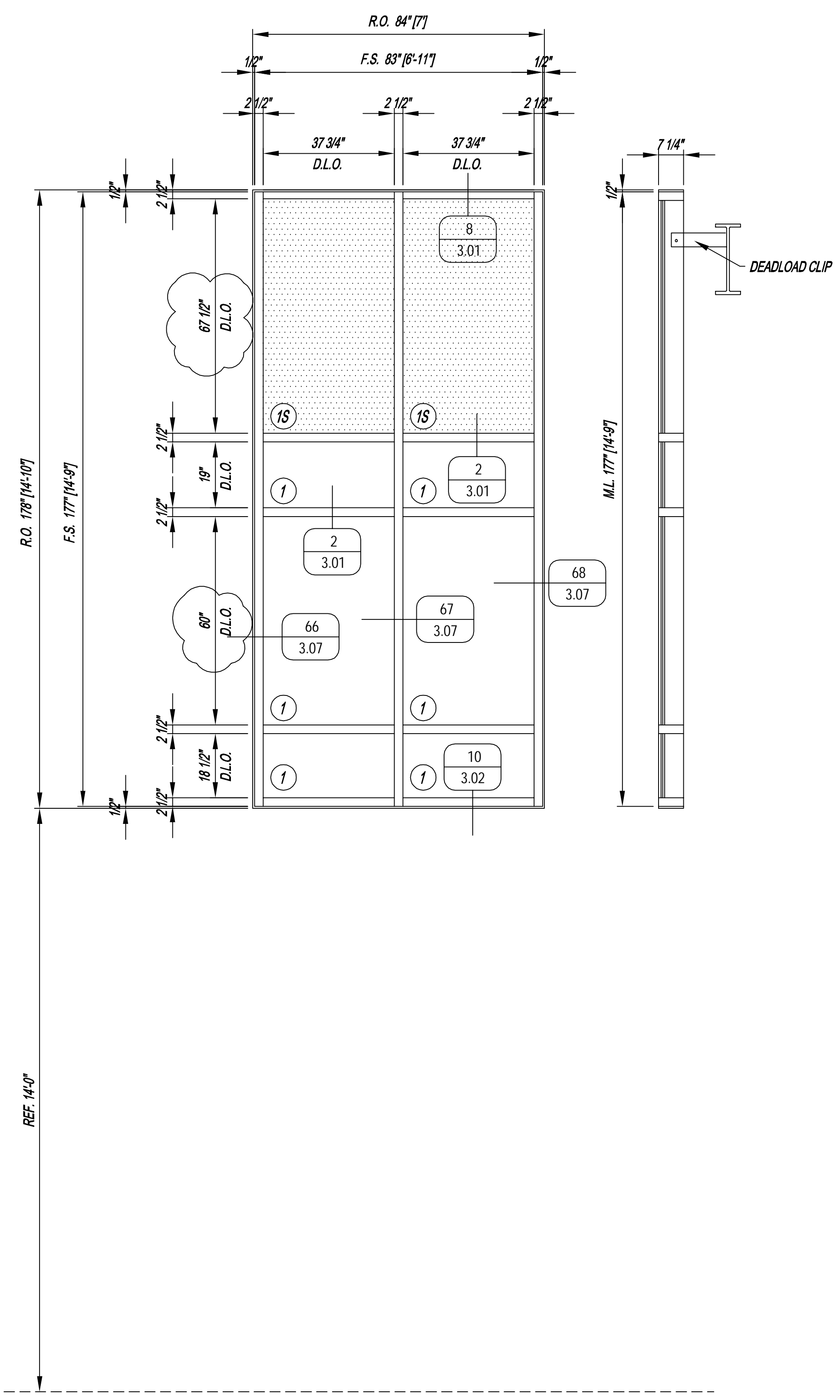


ELEVATION G
 SCALE: 1/2" = 1'-0"
 OLD CASTLES BE RELIANCE - 2 1/2" X 7 1/4"
 EXTERIOR CURTAINWALL
 1" INSULATED GLASS (FRONT SET)
 QUANTITY: 1

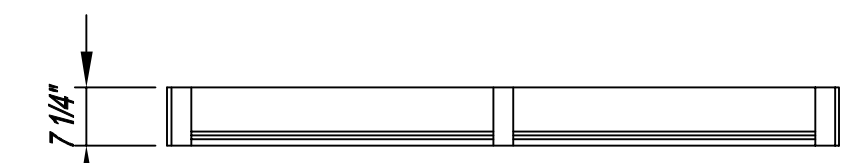
PROJECT NAME AND ADDRESS		PROJECT NAME & ADDRESS	
NO	DESCRIPTION	PROJECT NAME & ADDRESS	PROJECT NAME & ADDRESS
10/30/11	1ST. REVISION	PROJECT NAME & ADDRESS	PROJECT NAME & ADDRESS
8/11/11	1ST. SUBMISSION	PROJECT NAME & ADDRESS	PROJECT NAME & ADDRESS
DATE	DRAWING SUBMISSION	PROJECT NAME & ADDRESS	PROJECT NAME & ADDRESS
ARCHITECT	CUSTOMER	PROJECT NAME & ADDRESS	PROJECT NAME & ADDRESS
GL	8/11/11	PROJECT NAME & ADDRESS	PROJECT NAME & ADDRESS
CHECKED BY	DATE	PROJECT NAME & ADDRESS	PROJECT NAME & ADDRESS
CCW	8/11/11	PROJECT NAME & ADDRESS	PROJECT NAME & ADDRESS
JOB NAME:		PINE SHADOWS ELEMENTARY	
SHEET NO.:		2.26	



ELEVATION M
 SCALE: 1/2" = 1'-0"
 OLD CASTLES BE RELIANCE - 2 1/2" X 7 1/4"
 EXTERIOR CURTAINWALL
 1" INSULATED GLASS (FRONT SET)
 QUANTITY: 1



ELEVATION P
 SCALE: 1/2" = 1'-0"
 OLD CASTLES BE RELIANCE - 2 1/2" X 7 1/4"
 EXTERIOR CURTAINWALL
 1" INSULATED GLASS (FRONT SET)
 QUANTITY: 1



PROJECT: PROJECT NAME & ADDRESS		ARCHITECT	10/30/11
		CUSTOMER	8/11/11
DRAWN BY: GL		DATE:	8/11/11
CHECKED BY: CCW		DATE:	8/11/11
JOB NAME: PINE SHADOWS ELEMENTARY		DRAWING SUBMISSION	
SHEET NO.: 2.27		NO	DESCRIPTION
		1ST. SUBMISSION	8/11/11
		1ST. REVISION	10/30/11

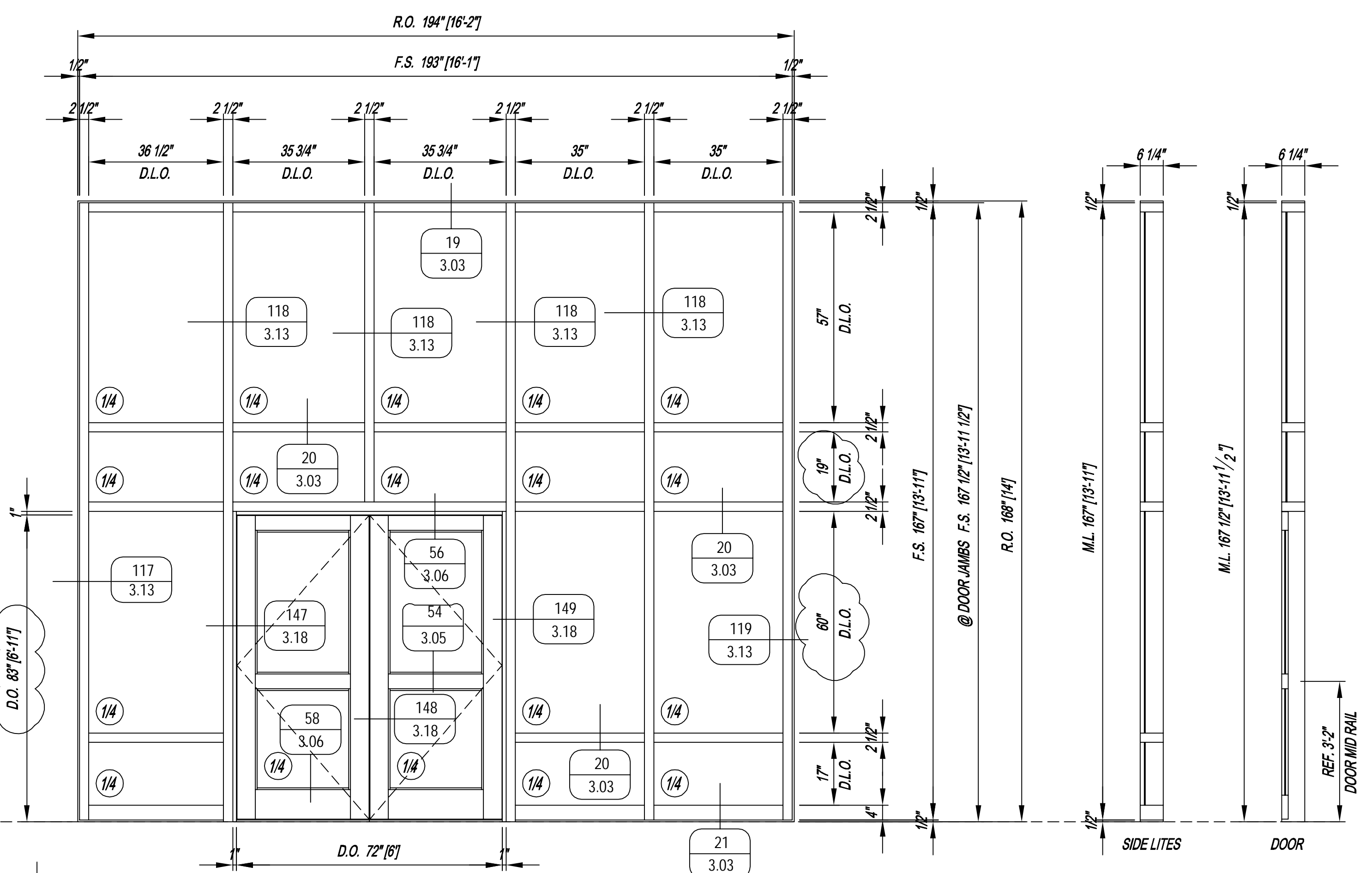
NO	DESCRIPTION	DATE
10/30/11	1ST. REVISION	
8/11/11	1ST. SUBMISSION	
	DRAWING SUBMISSION	

PROJECT NAME AND ADDRESS

PROJECT NAME & ADDRESS

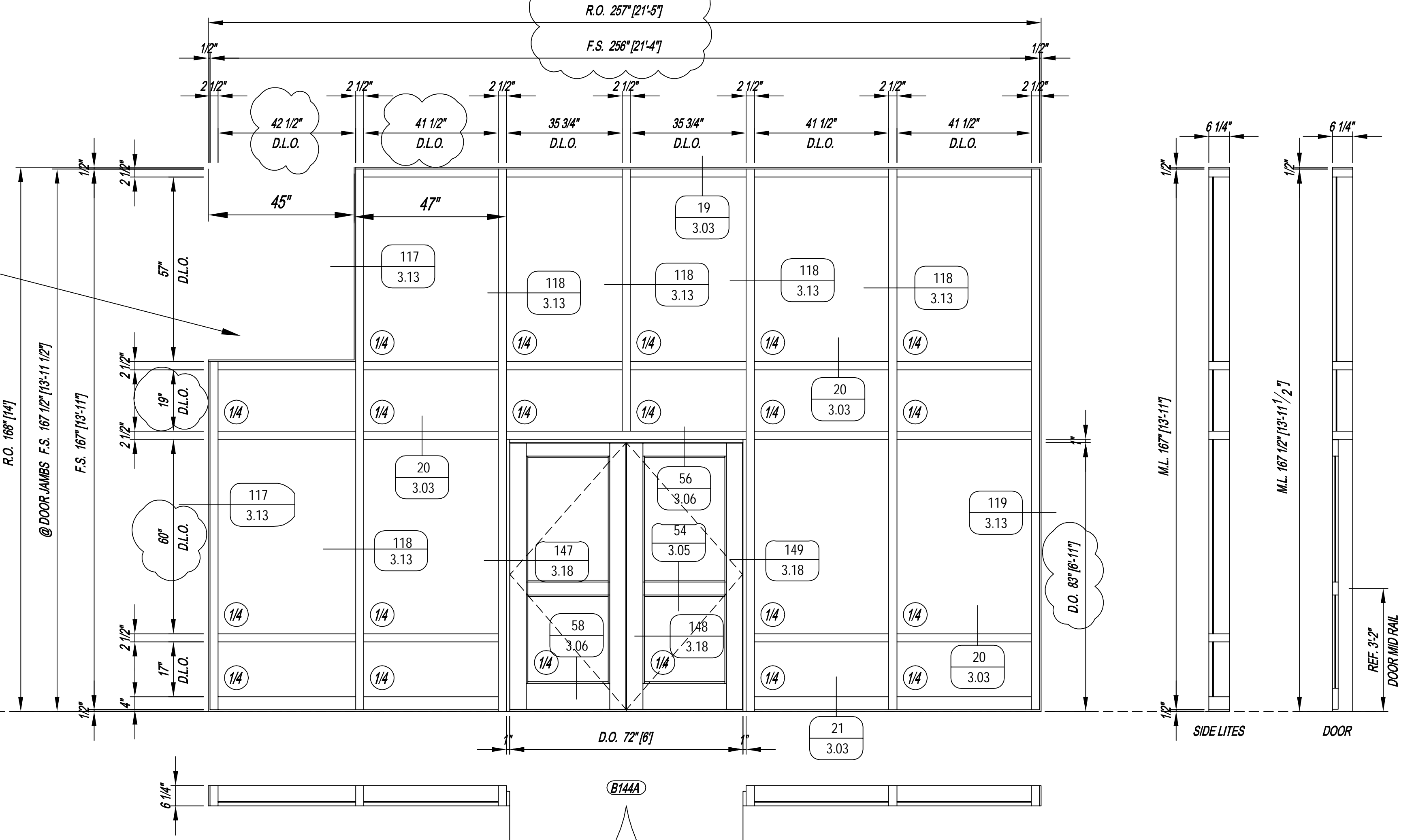
PROJECT:	ARCHITECT:	DATE:
GL	CCW	8/11/11
CHECKED BY:	CUSTOMER:	DATE:
CCW		8/11/11
JOB NAME:	PINE SHADOWS ELEMENTARY	
SHEET NO.:	2.28	

ELEVATION 10
SCALE: 1/2" = 1'-0"
OLD CASTLES BE CW250 - 2 1/2" X 6 1/4"
INTERIOR CURTAINWALL
1/4" TEMPERED GLASS (FRONT SET)
QUANTITY: 1



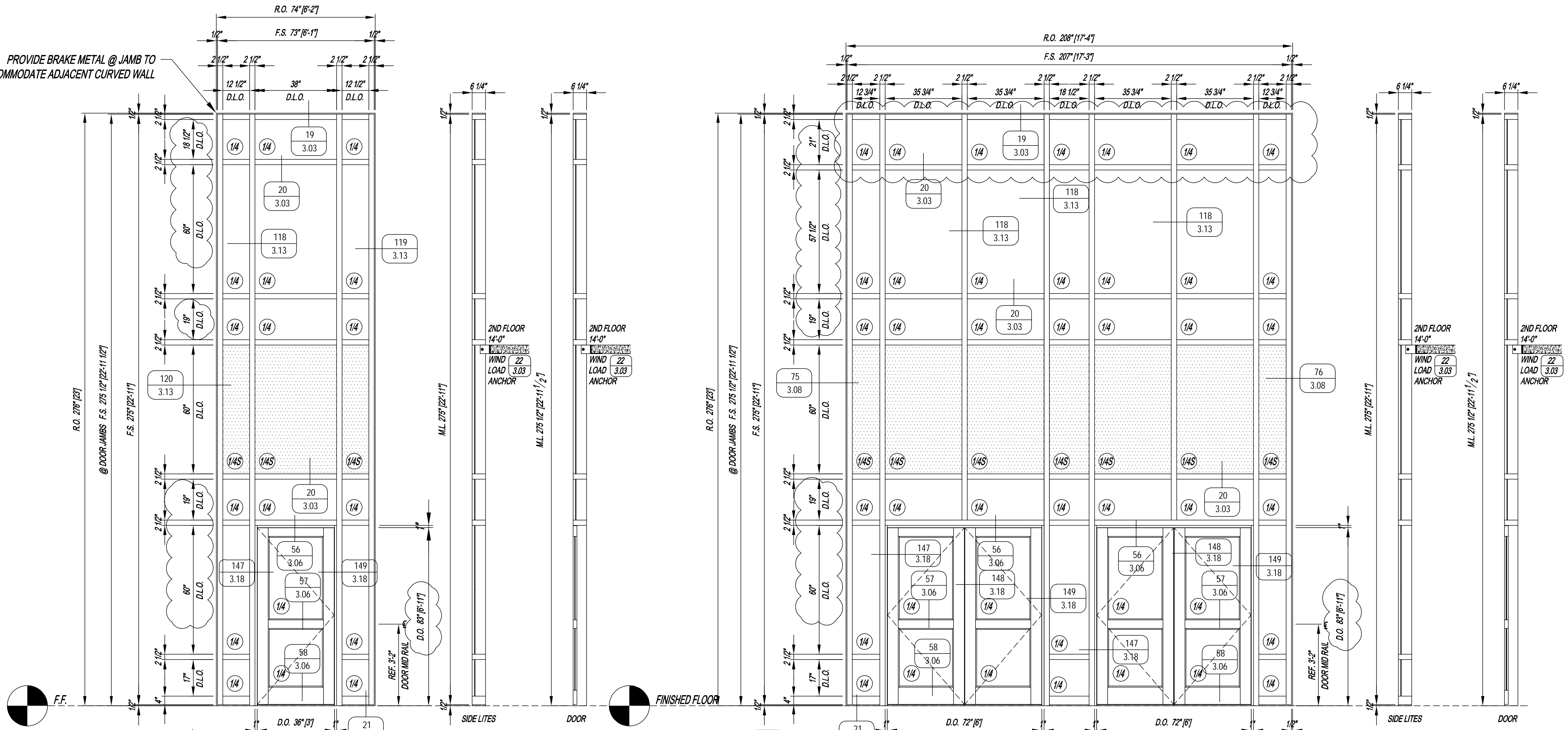
COORDINATE WITH BULK HEAD

ELEVATION 11
SCALE: 1/2" = 1'-0"
OLD CASTLES BE CW250 - 2 1/2" X 6 1/4"
INTERIOR CURTAINWALL
1/4" TEMPERED GLASS (FRONT SET)
QUANTITY: 1



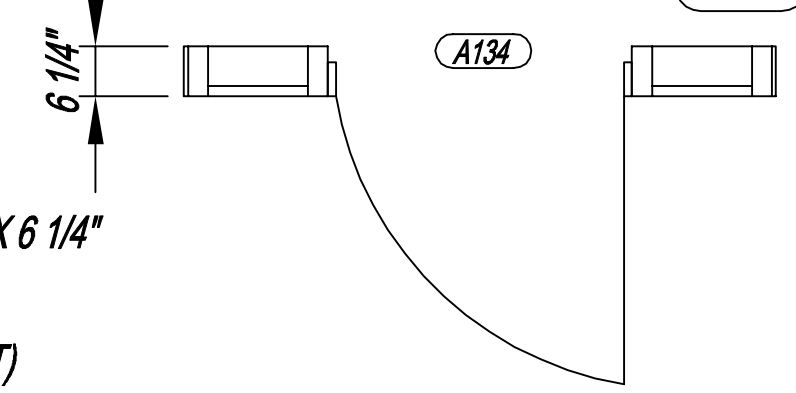
ERECTOR / G.C. NOTE:

PROVIDE BRAKE METAL @ JAMB TO ACCOMMODATE ADJACENT CURVED WALL



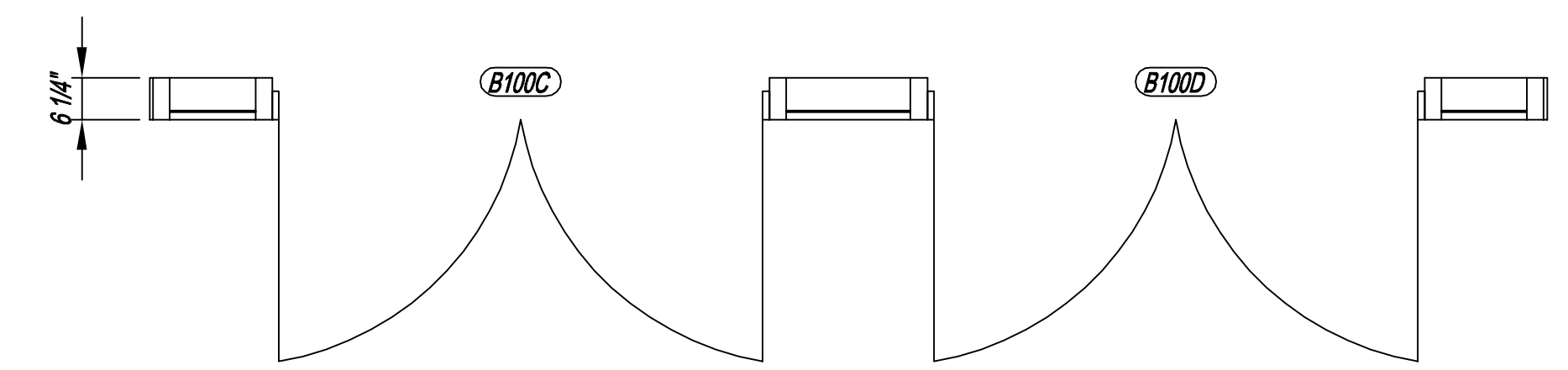
ELEVATION 27

SCALE: 1/2" = 1'-0"
 OLD CASTLES BE CW250 - 2 1/2" X 6 1/4"
 INTERIOR CURTAINWALL
 1/4" TEMPERED GLASS (FRONT SET)
 QUANTITY: 1



ELEVATION 29

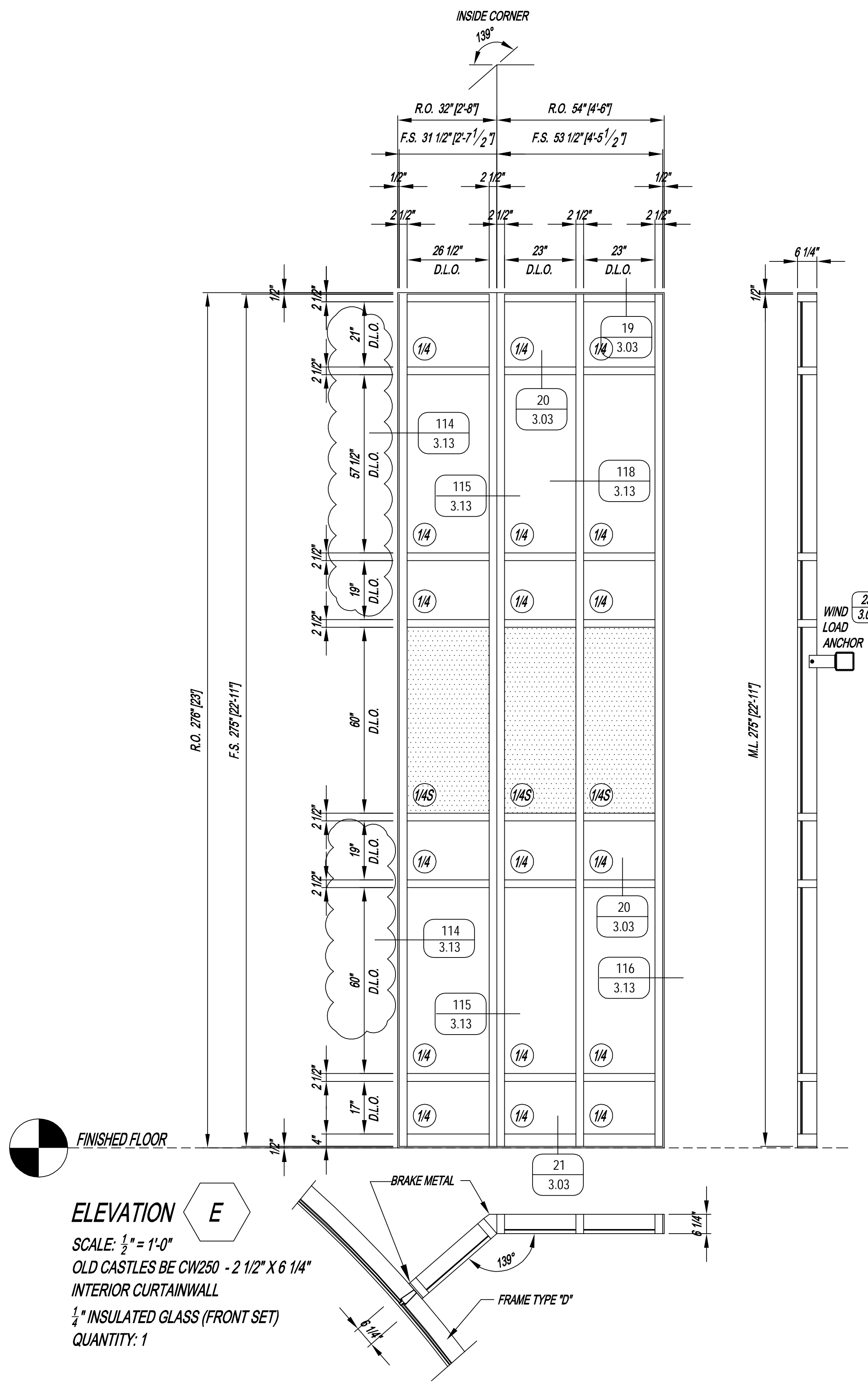
SCALE: 1/2" = 1'-0"
 OLD CASTLES BE CW250 - 2 1/2" X 6 1/4"
 INTERIOR CURTAINWALL
 1/4" TEMPERED GLASS (FRONT SET)
 QUANTITY: 1



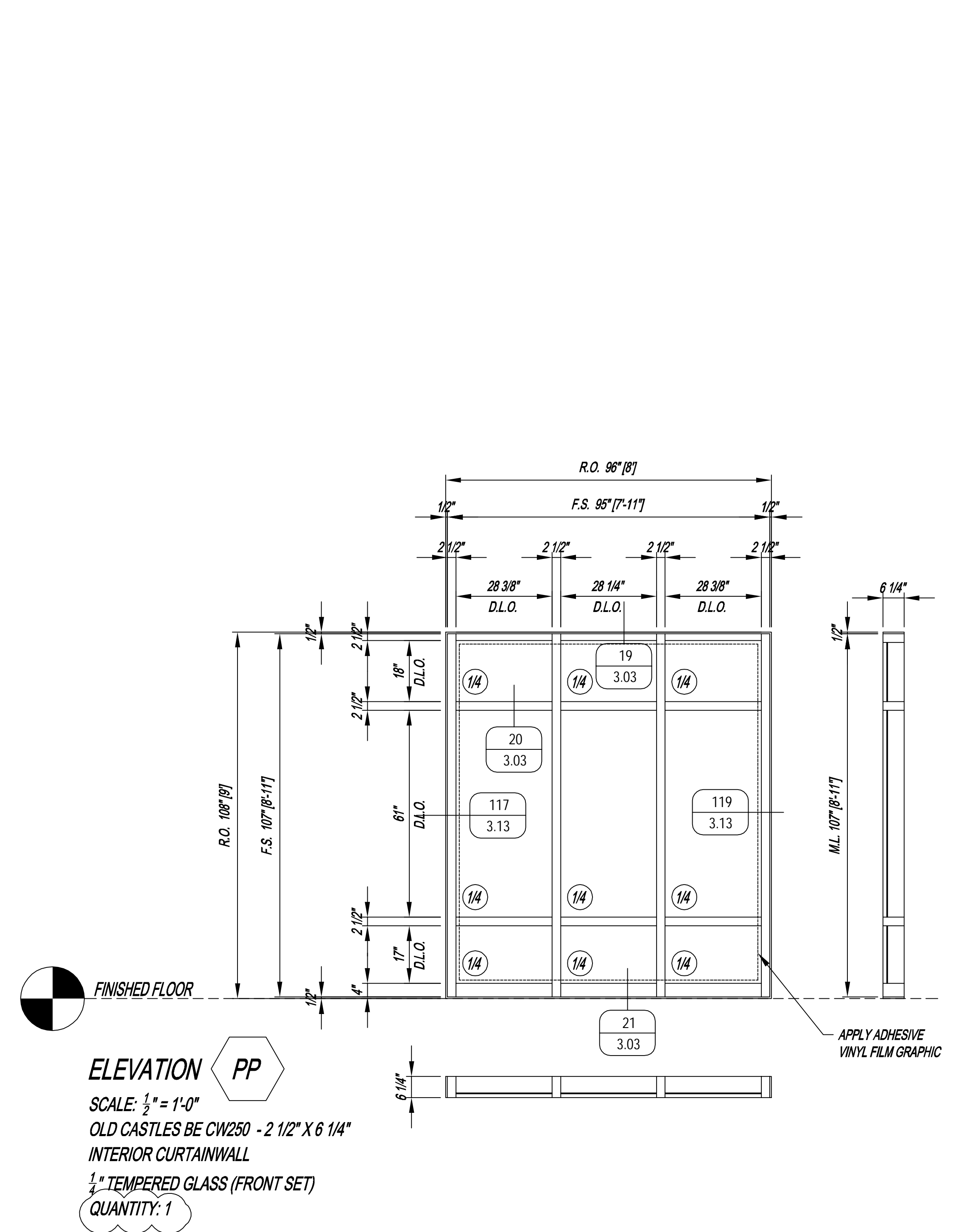
ERECTOR / G.C. NOTE:
 PLEASE FIELD VERIFY ALL DIMENSIONS

ERECTOR / G.C. NOTE:
 PLEASE FIELD VERIFY ALL DIMENSIONS

PROJECT NAME & ADDRESS		DRAWING SUBMISSION	
PROJECT NAME & ADDRESS		NO	DESCRIPTION
PROJECT NAME & ADDRESS		1ST. SUBMISSION	8/11/11
PROJECT NAME & ADDRESS		1ST. REVISION	10/30/11
PROJECT NAME & ADDRESS		DATE	
PROJECT NAME & ADDRESS		CUSTOMER	
PROJECT NAME & ADDRESS		ARCHITECT	
PROJECT NAME & ADDRESS		DATE	8/11/11
PROJECT NAME & ADDRESS		CHECKED BY	CCW
PROJECT NAME & ADDRESS		DRAWN BY	GL
PROJECT NAME & ADDRESS		DATE	8/11/11
PROJECT NAME & ADDRESS		JOB NAME:	PINE SHADOWS ELEMENTARY
PROJECT NAME & ADDRESS		SHEET NO.:	2.29



ELEVATION E
 SCALE: 1/2" = 1'-0"
 OLD CASTLES BE CW250 - 2 1/2" X 6 1/4"
 INTERIOR CURTAINWALL
 1/4" INSULATED GLASS (FRONT SET)
 QUANTITY: 1



ELEVATION PP
 SCALE: 1/2" = 1'-0"
 OLD CASTLES BE CW250 - 2 1/2" X 6 1/4"
 INTERIOR CURTAINWALL
 1/4" TEMPERED GLASS (FRONT SET)
 QUANTITY: 1

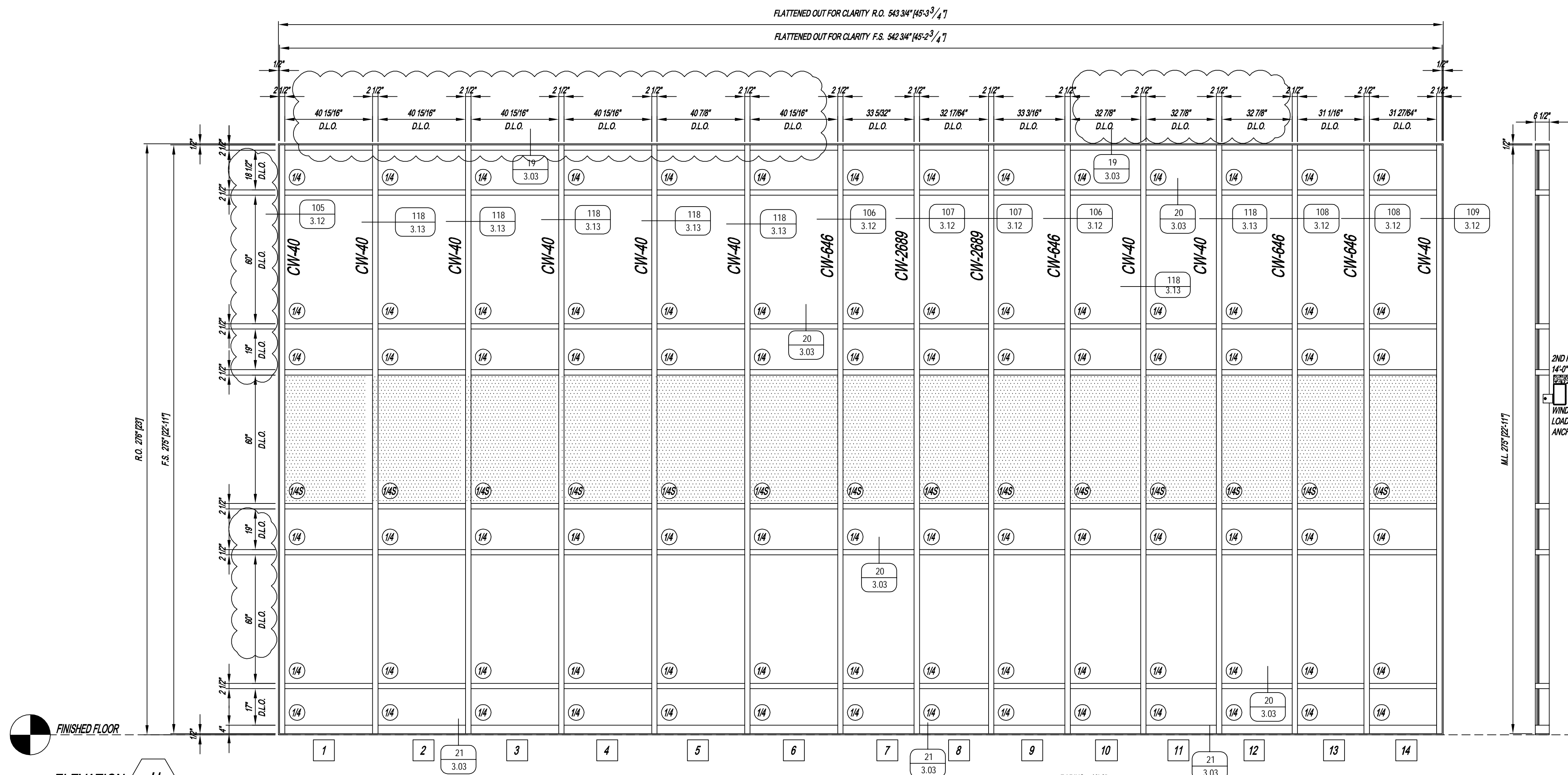
PROJECT NAME AND ADDRESS

PROJECT NAME & ADDRESS

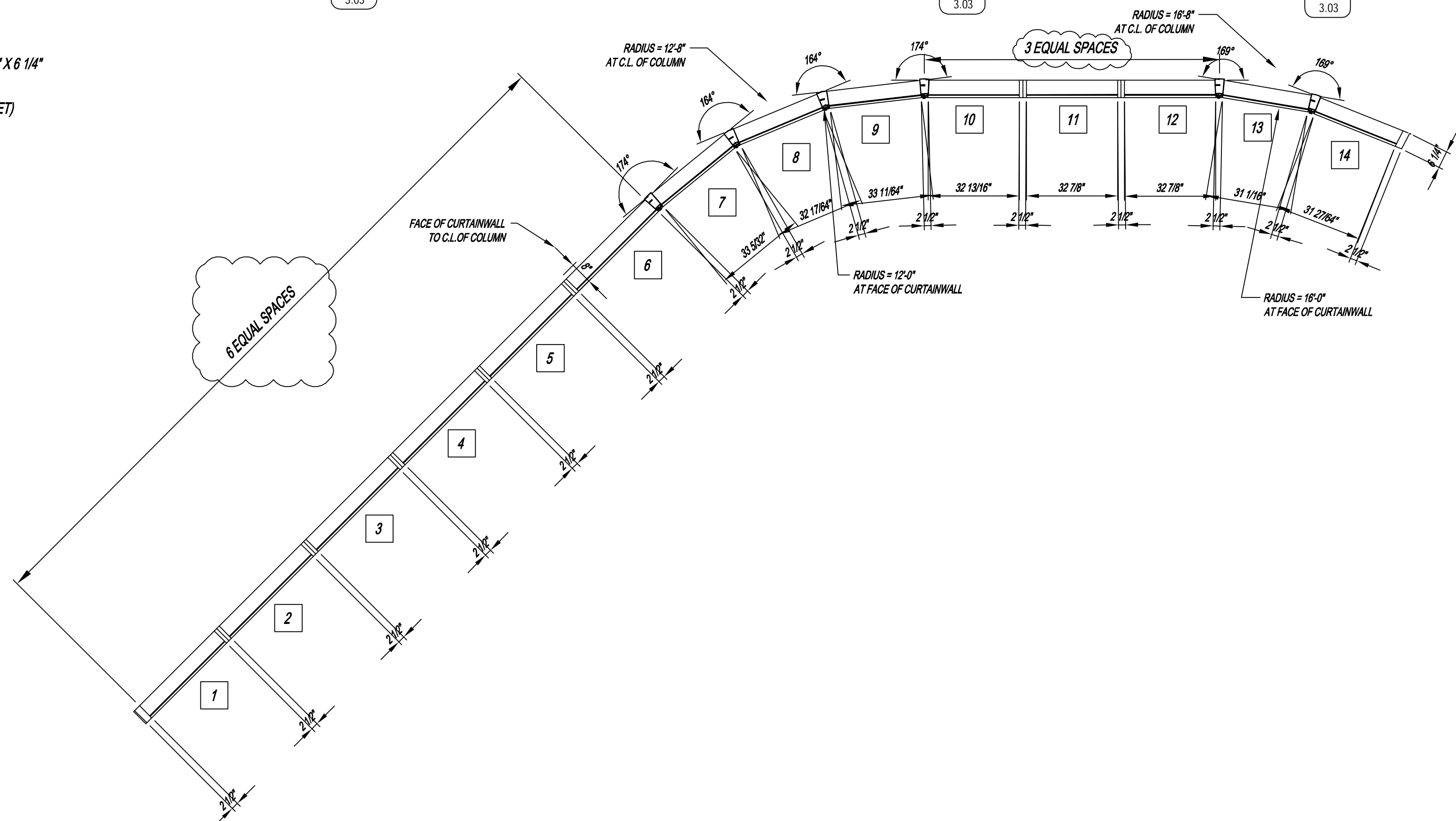
PROJECT:	PROJECT NAME & ADDRESS	DATE:	8/11/11
DRAWN BY:	GL	ARCHITECT:	10/30/11
CHECKED BY:	CCW	CUSTOMER:	8/11/11
JOB NAME:	PINE SHADOWS ELEMENTARY		
SHEET NO.:	2.30		

NO	DESCRIPTION	DATE
1	1ST. SUBMISSION	8/11/11
2	1ST. REVISION	10/30/11

DRAWING SUBMISSION



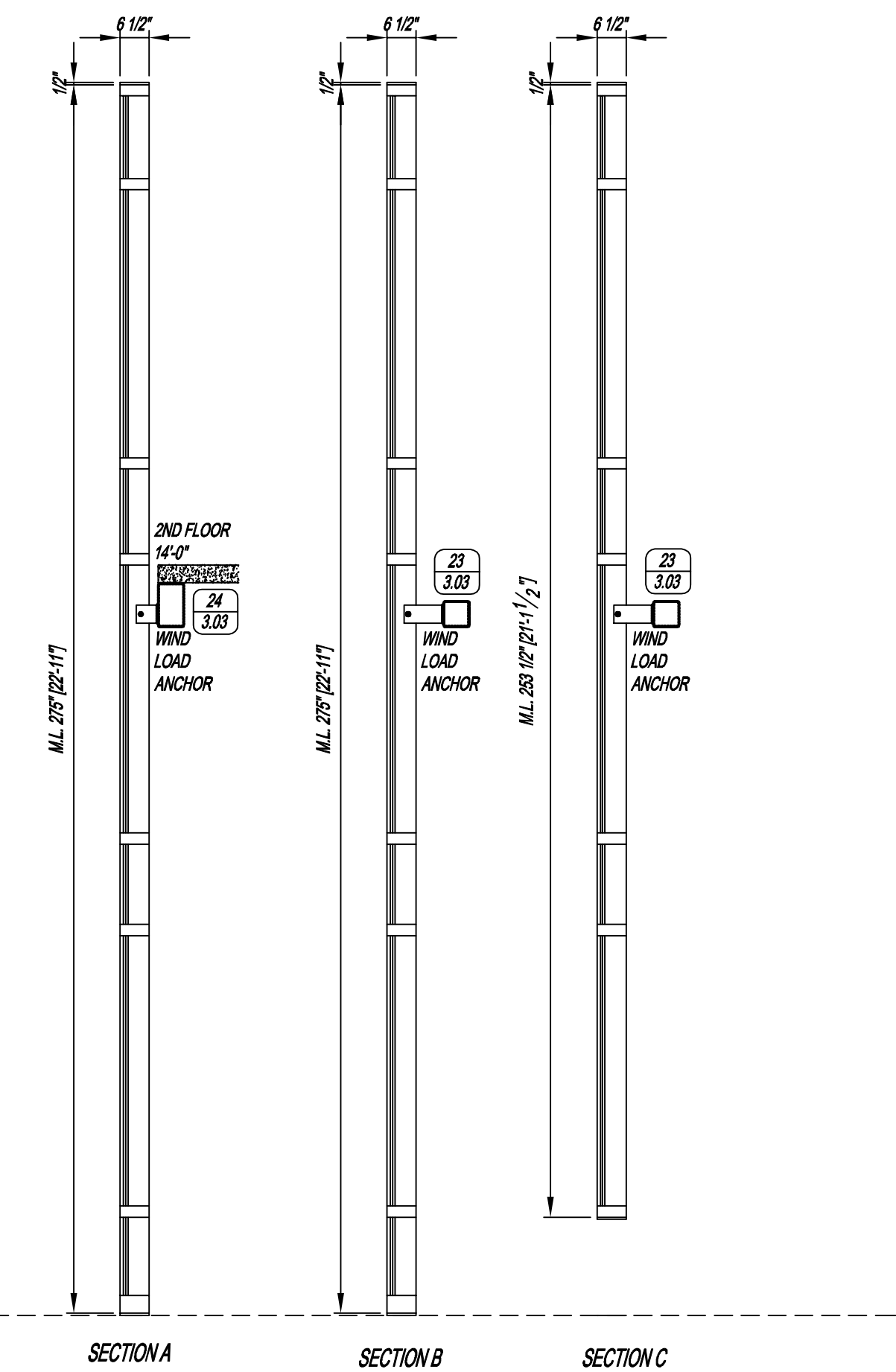
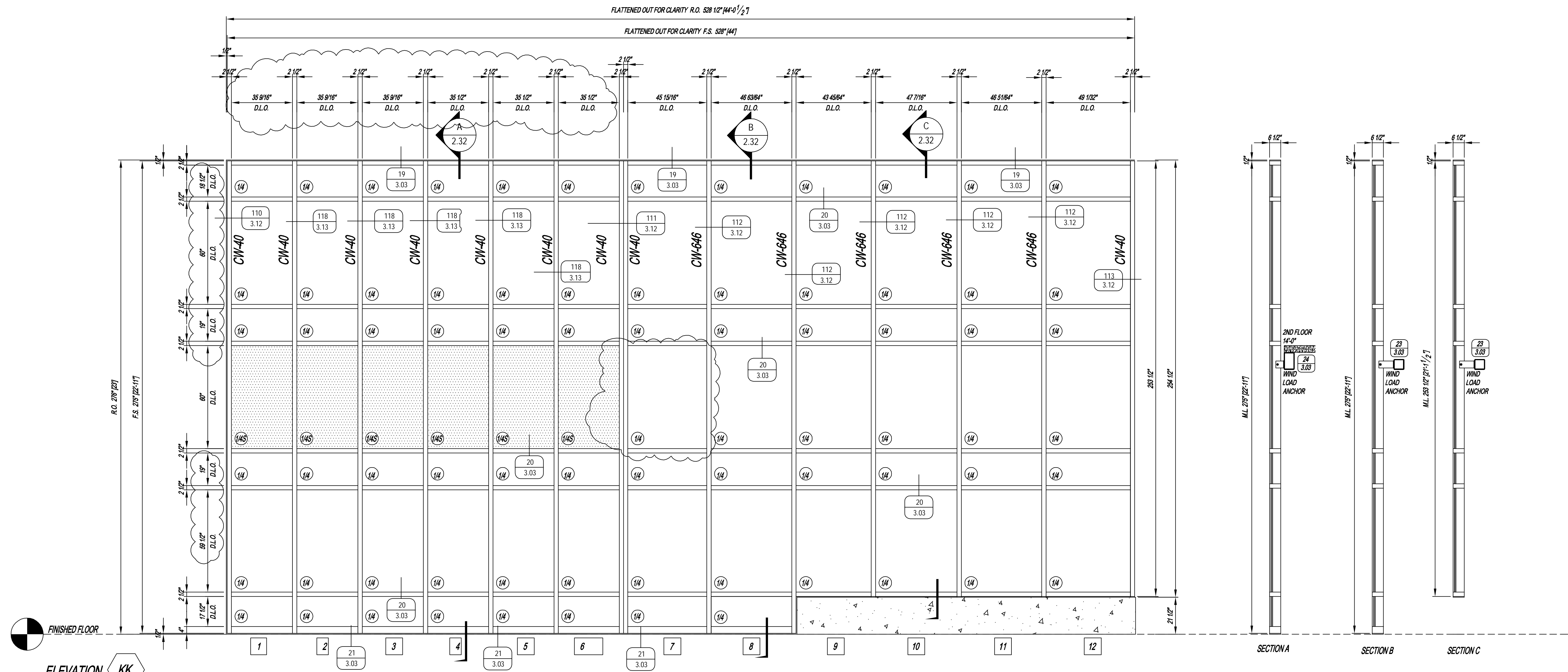
ELEVATION JJ
 SCALE: 3/8" = 1'-0"
 OLD CASTLES BE CW250 - 2 1/2" X 6 1/4"
 INTERIOR CURTAINWALL
 1/2" INSULATED GLASS (FRONT SET)
 QUANTITY: 1



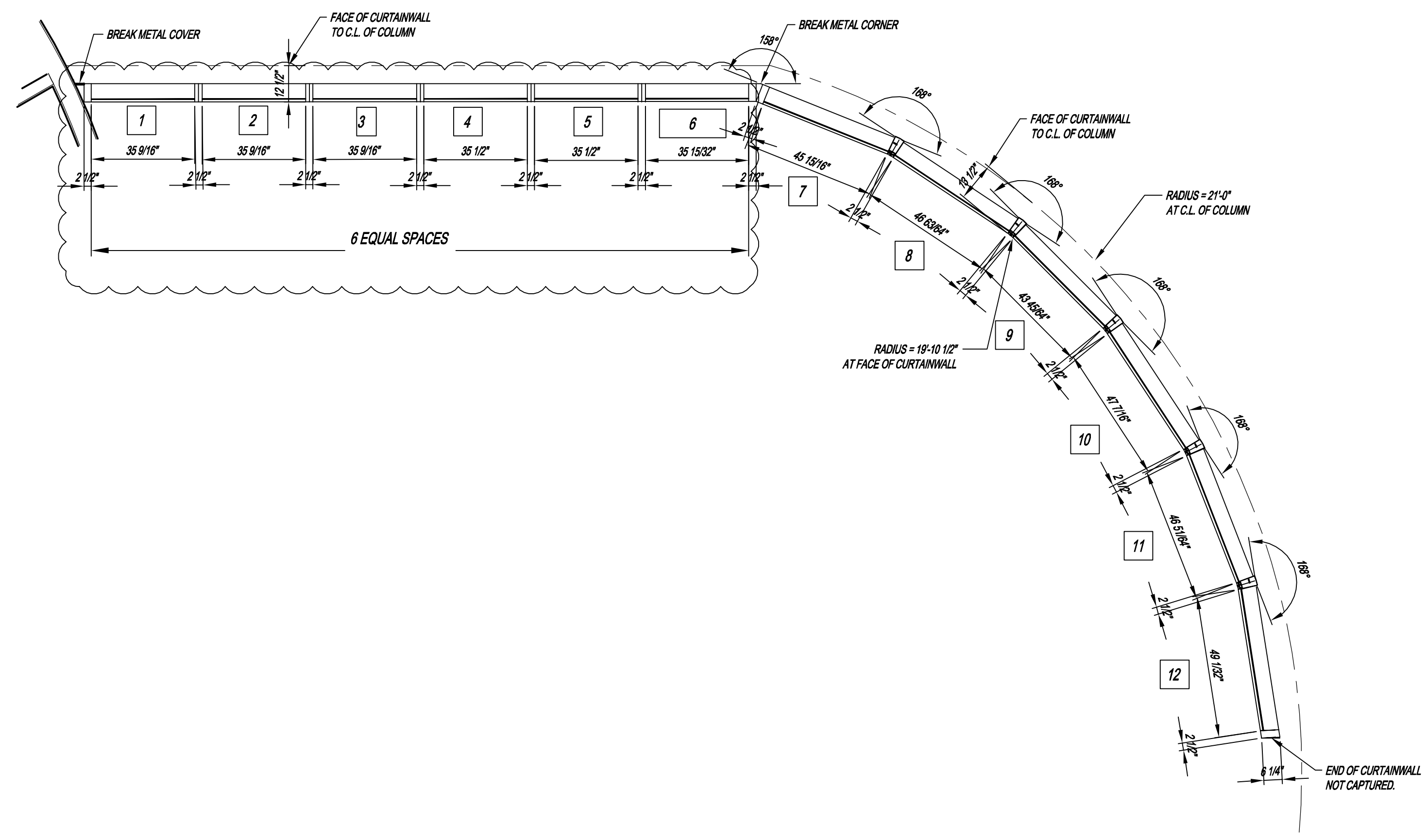
NO	DESCRIPTION	DATE
10/30/11	1ST. REVISION	
8/11/11	1ST. SUBMISSION	
	DRAWING SUBMISSION	

PROJECT NAME AND ADDRESS

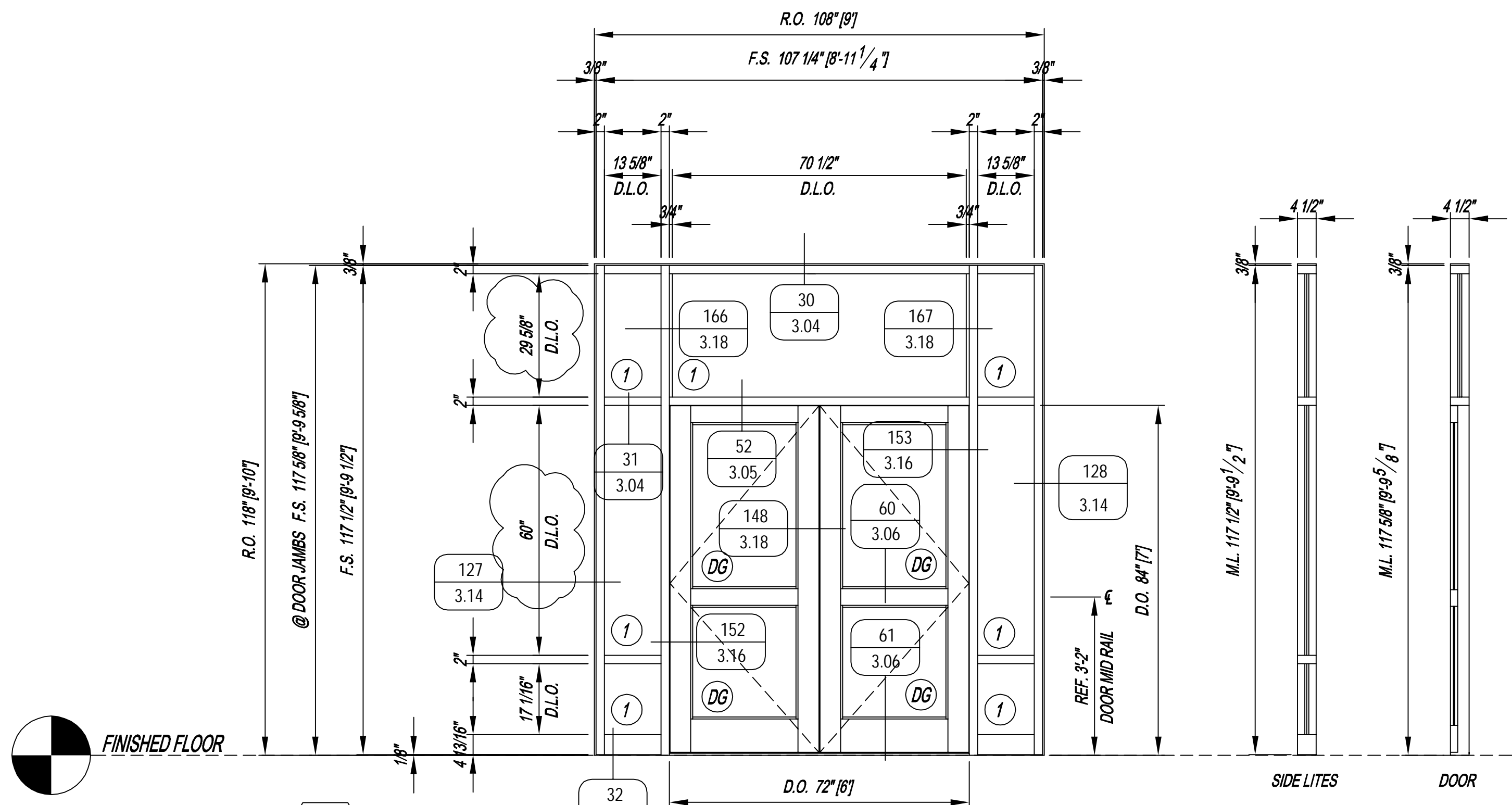
PROJECT: PROJECT NAME & ADDRESS	
DRAWN BY: GL	DATE: 8/11/11
CHECKED BY: CCW	DATE: 8/11/11
JOB NAME: PINE SHADOWS ELEMENTARY	
SHEET NO.: 2.31	



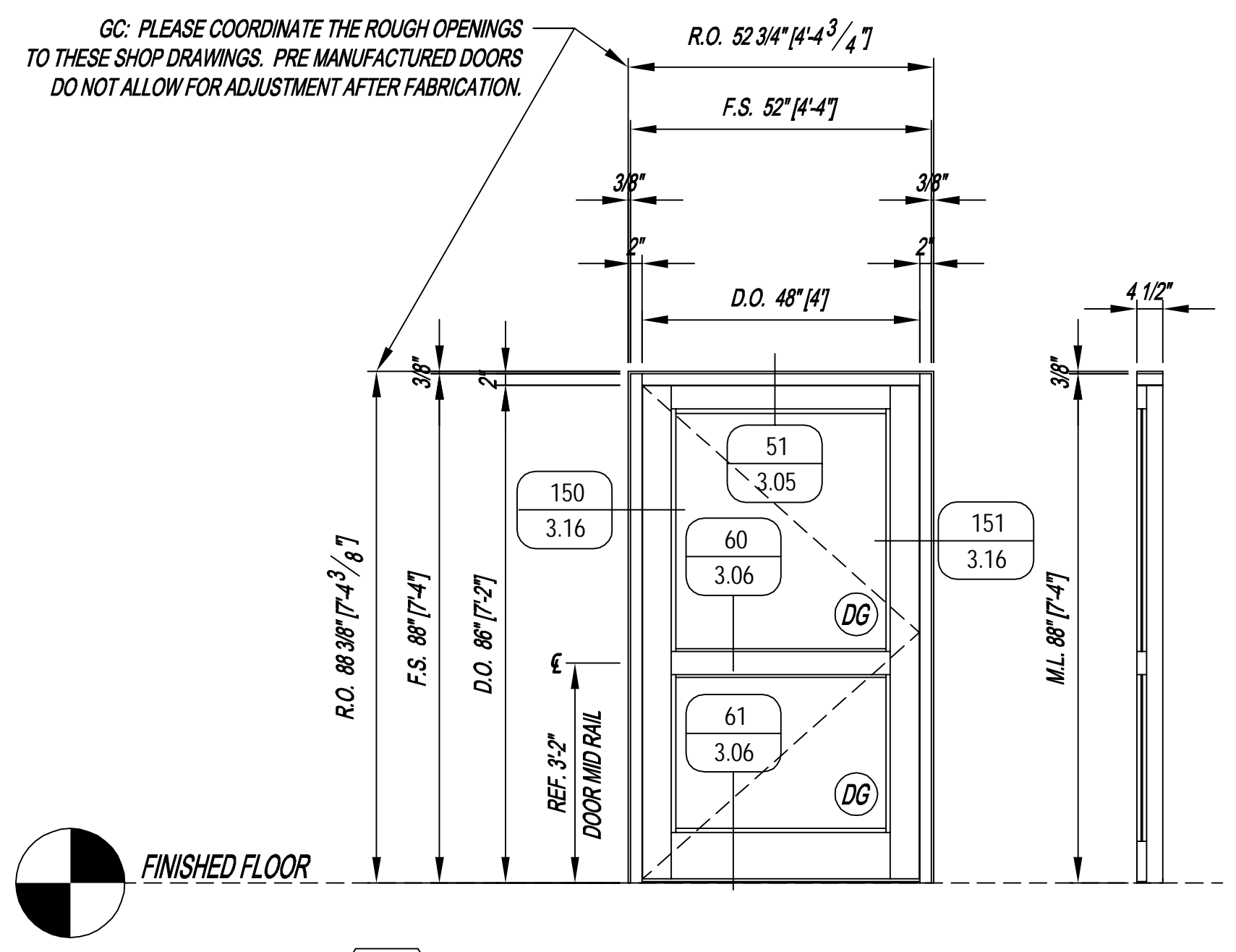
ELEVATION KK
 SCALE: 3/8" = 1'-0"
 OLD CASTLES BE CW250 - 2 1/2" X 6 1/4"
 INTERIOR CURTAINWALL
 1/2" INSULATED GLASS (FRONT SET)
 QUANTITY: 1



PROJECT NAME & ADDRESS		NO	DESCRIPTION	DRAWING SUBMISSION
PROJECT NAME & ADDRESS		10/30/11	1ST. REVISION	DATE
PROJECT NAME & ADDRESS		8/11/11	1ST. SUBMISSION	DATE
PROJECT NAME & ADDRESS		NO	DESCRIPTION	DRAWING SUBMISSION
PROJECT NAME & ADDRESS		PROJECT NAME & ADDRESS		
PROJECT:	PROJECT NAME & ADDRESS	DATE:	8/11/11	
DRAWN BY:	GL	CHECKED BY:	CCW	
ARCHITECT:	PROJECT NAME & ADDRESS	CUSTOMER:	PINE SHADOWS ELEMENTARY	
JOB NAME:		SHEET NO.: 2.32		

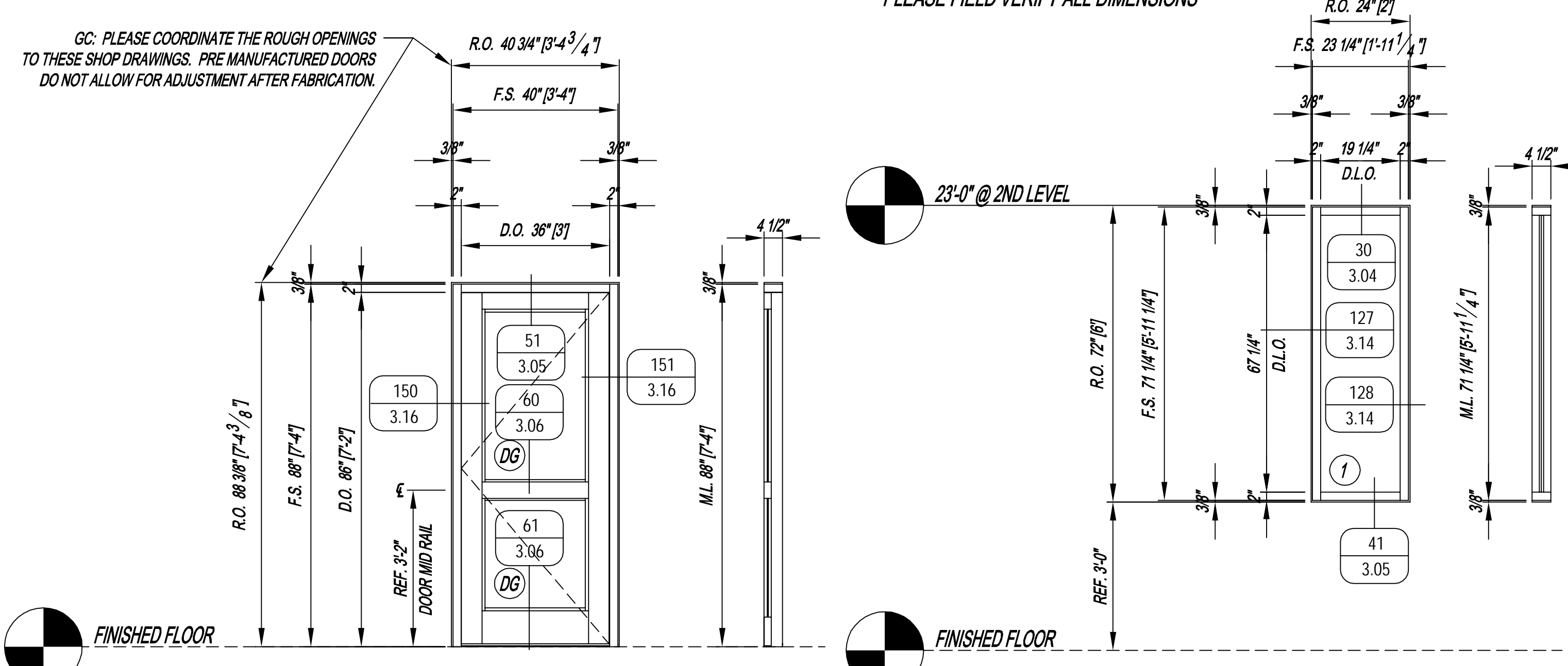


ELEVATION 16
 SCALE: 1/2" = 1'-0"
 OLD CASTLES BE FG-3000 - 2" X 4 1/2"
 EXTERIOR STOREFRONT
 1" INSULATED GLASS (CENTER SET)
 QUANTITY: 1

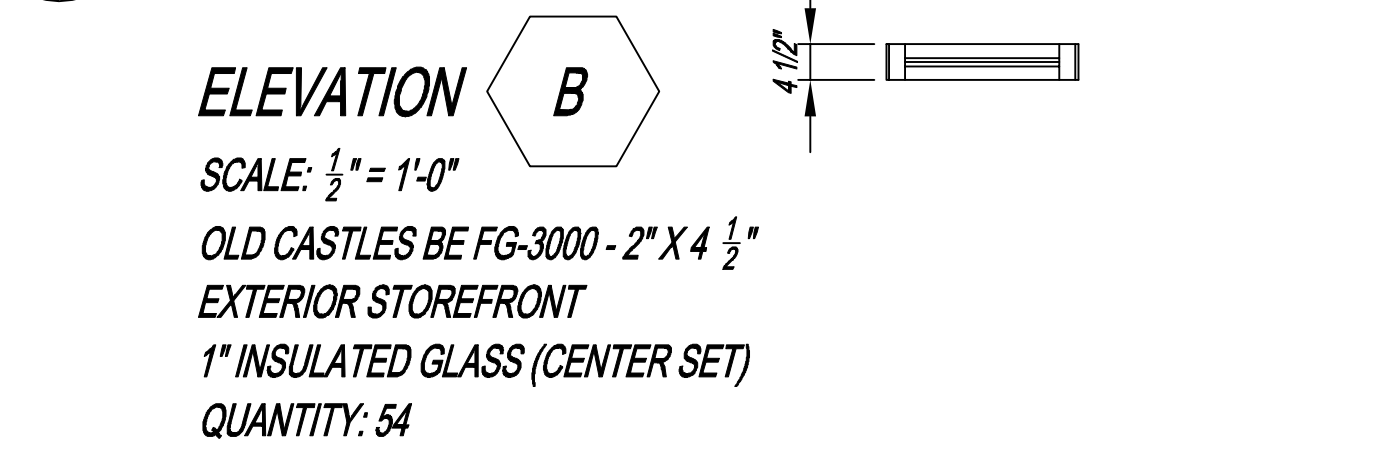


ELEVATION 19
 SCALE: 1/2" = 1'-0"
 OLD CASTLES BE FG-3000 - 2" X 4 1/2"
 EXTERIOR STOREFRONT
 1" INSULATED GLASS (CENTER SET)
 QUANTITY: 1

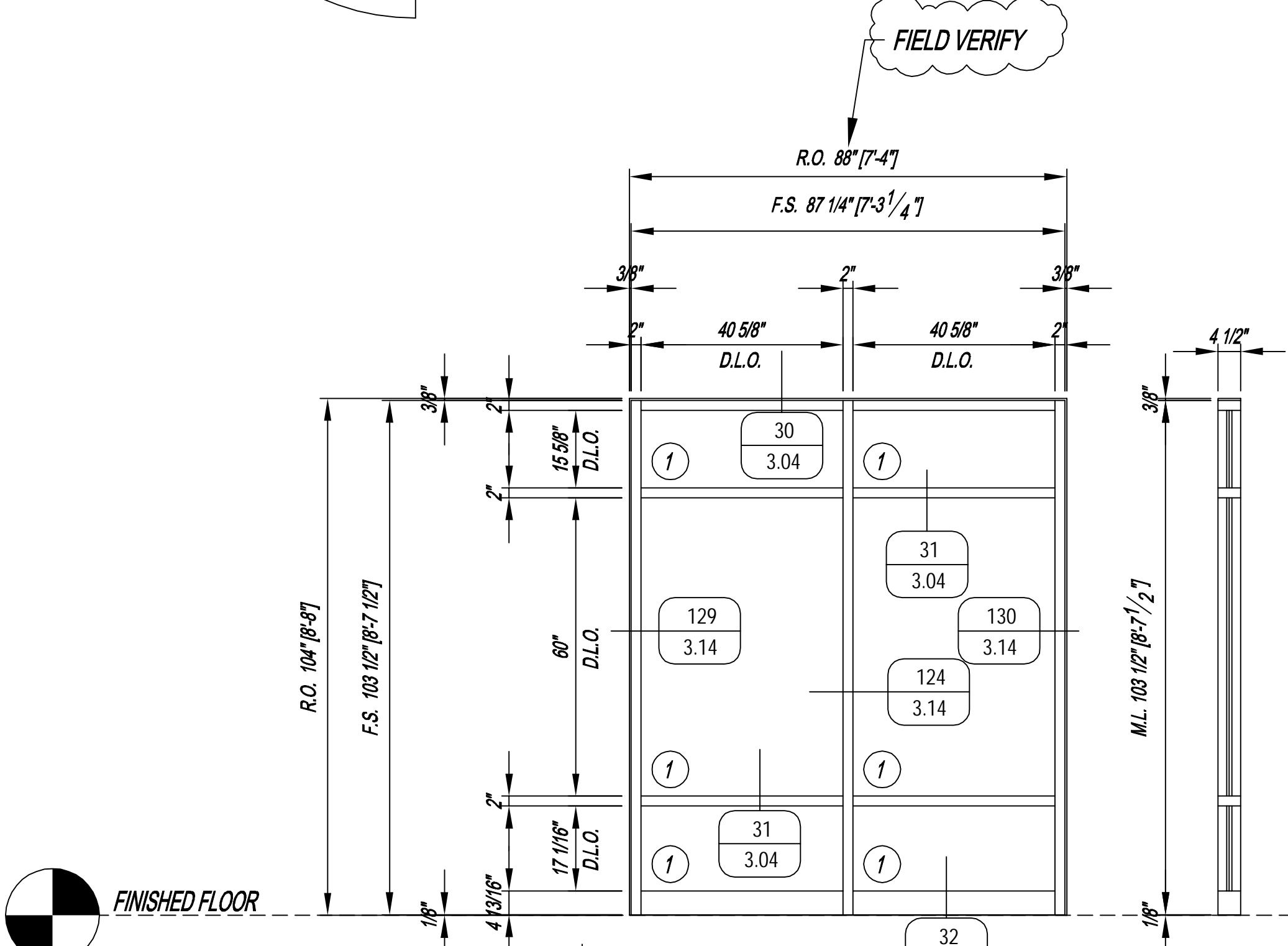
ERECTOR / G.C. NOTE:
 PLEASE FIELD VERIFY ALL DIMENSIONS



ELEVATION 22
 SCALE: 1/2" = 1'-0"
 OLD CASTLES BE FG-3000 - 2" X 4 1/2"
 EXTERIOR STOREFRONT
 1" INSULATED GLASS (CENTER SET)
 QUANTITY: 1



ELEVATION B
 SCALE: 1/2" = 1'-0"
 OLD CASTLES BE FG-3000 - 2" X 4 1/2"
 EXTERIOR STOREFRONT
 1" INSULATED GLASS (CENTER SET)
 QUANTITY: 54



ELEVATION F
 SCALE: 1/2" = 1'-0"
 OLD CASTLES BE FG-3000 - 2" X 4 1/2"
 EXTERIOR STOREFRONT
 1" INSULATED GLASS (CENTER SET)
 QUANTITY: 1

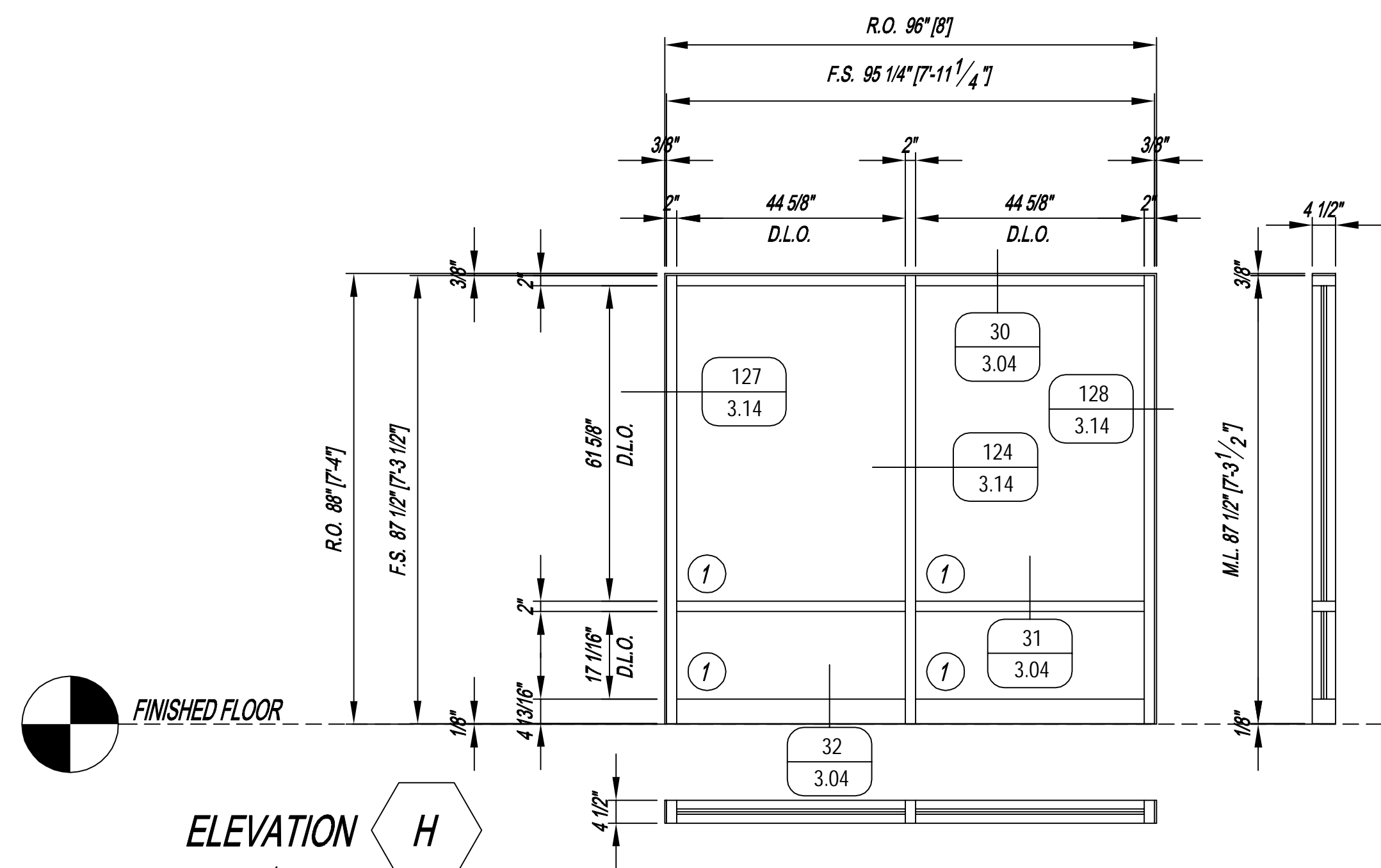
PROJECT NAME AND ADDRESS

PROJECT NAME & ADDRESS

PROJECT:	ARCHITECT:	DATE:
GL	CCW	8/11/11
CHECKED BY:	CUSTOMER:	DATE:
CCW		8/11/11
JOB NAME:		
PINE SHADOWS ELEMENTARY		
SHEET NO:		
2.33		

NO	DESCRIPTION	DATE
10/30/11	1ST. REVISION	
8/11/11	1ST. SUBMISSION	

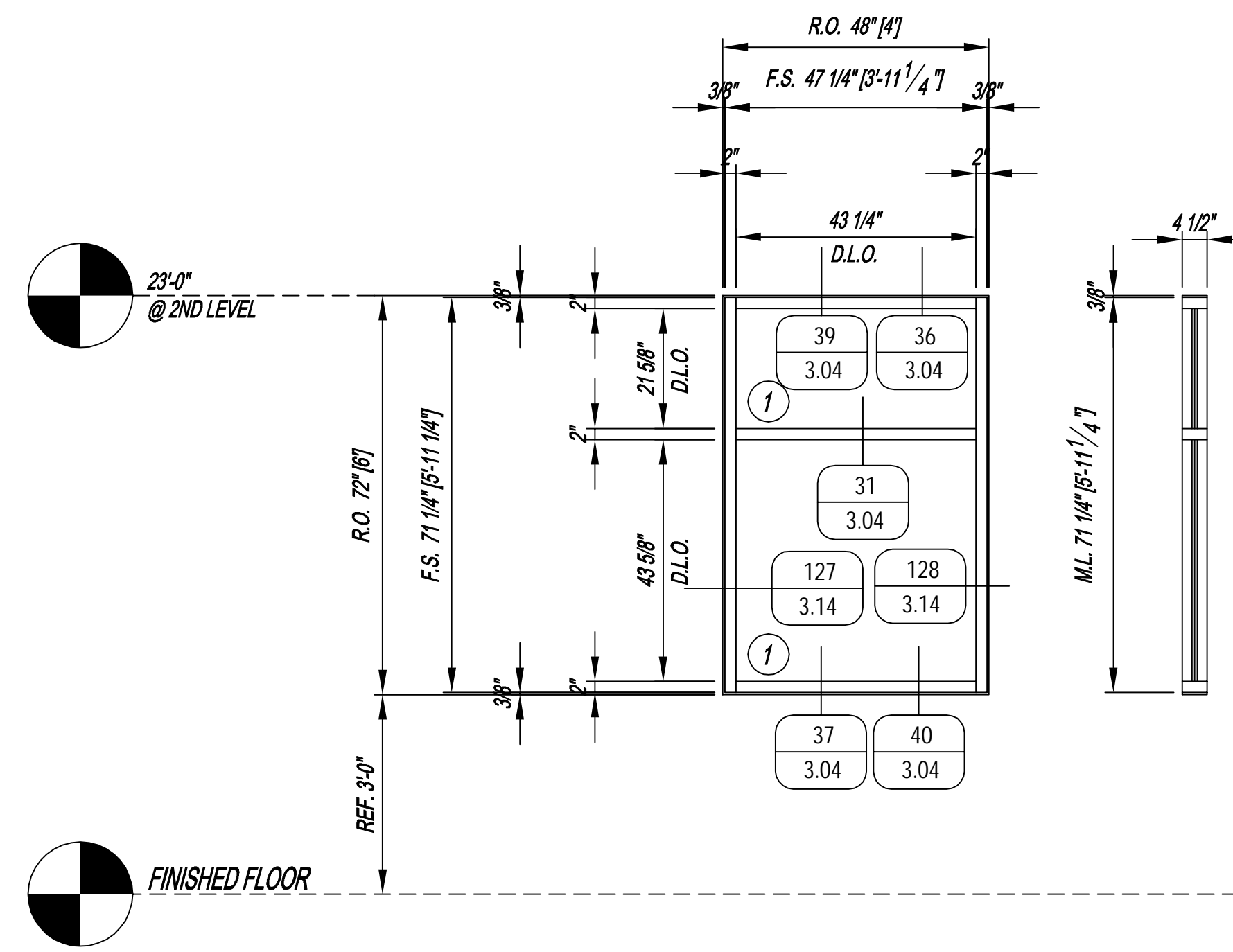
DRAWING SUBMISSION



ELEVATION H

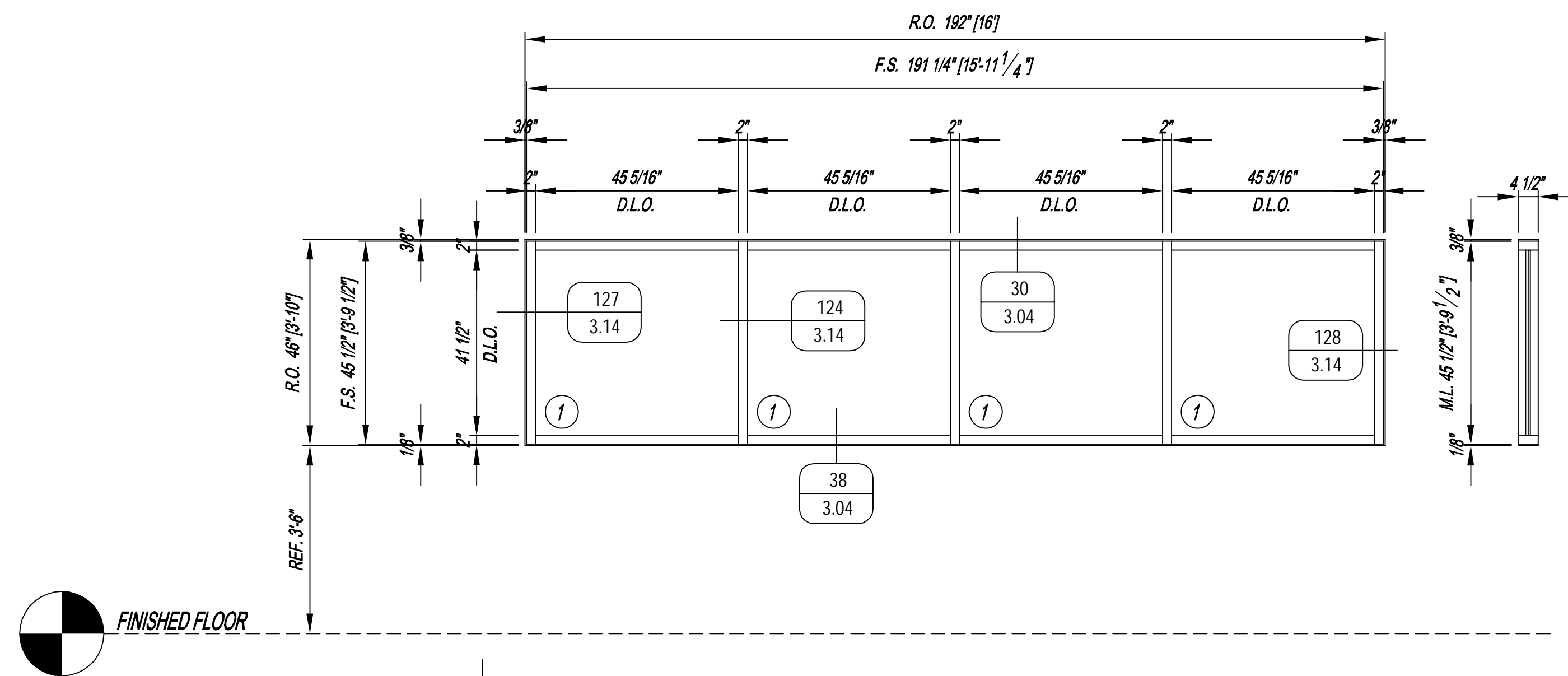
SCALE: $\frac{1}{2}'' = 1'-0''$
 OLD CASTLES BE FG-3000 - 2" X 4 $\frac{1}{2}''$
 EXTERIOR STOREFRONT
 1" INSULATED GLASS (CENTER SET)
 QUANTITY: 1

ERECTOR / G.C. NOTE:
 PLEASE FIELD VERIFY ALL DIMENSIONS



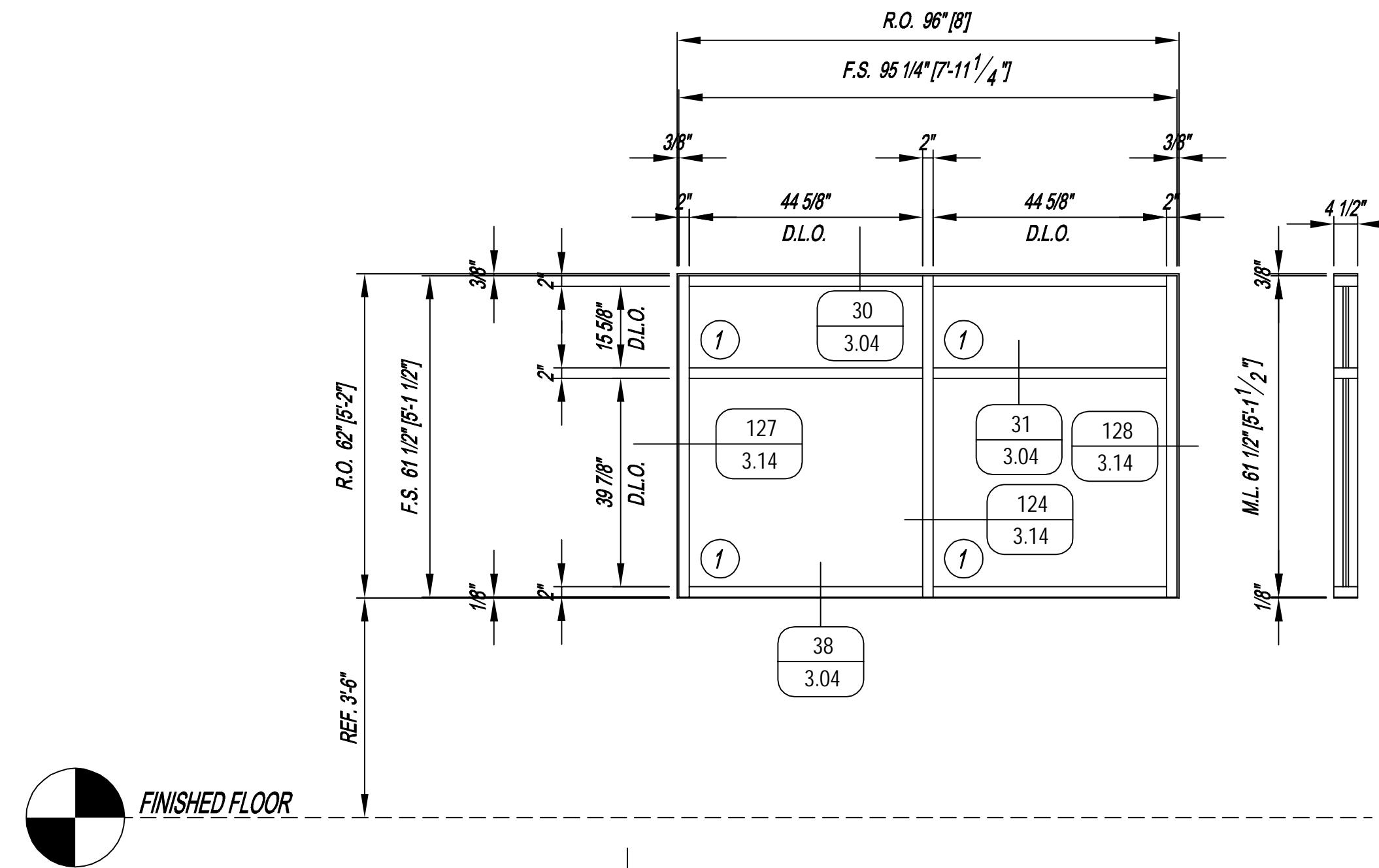
ELEVATION J

SCALE: $\frac{1}{2}'' = 1'-0''$
 OLD CASTLES BE FG-3000 - 2" X 4 $\frac{1}{2}''$
 EXTERIOR STOREFRONT
 1" INSULATED GLASS (CENTER SET)
 QUANTITY: 54



ELEVATION K

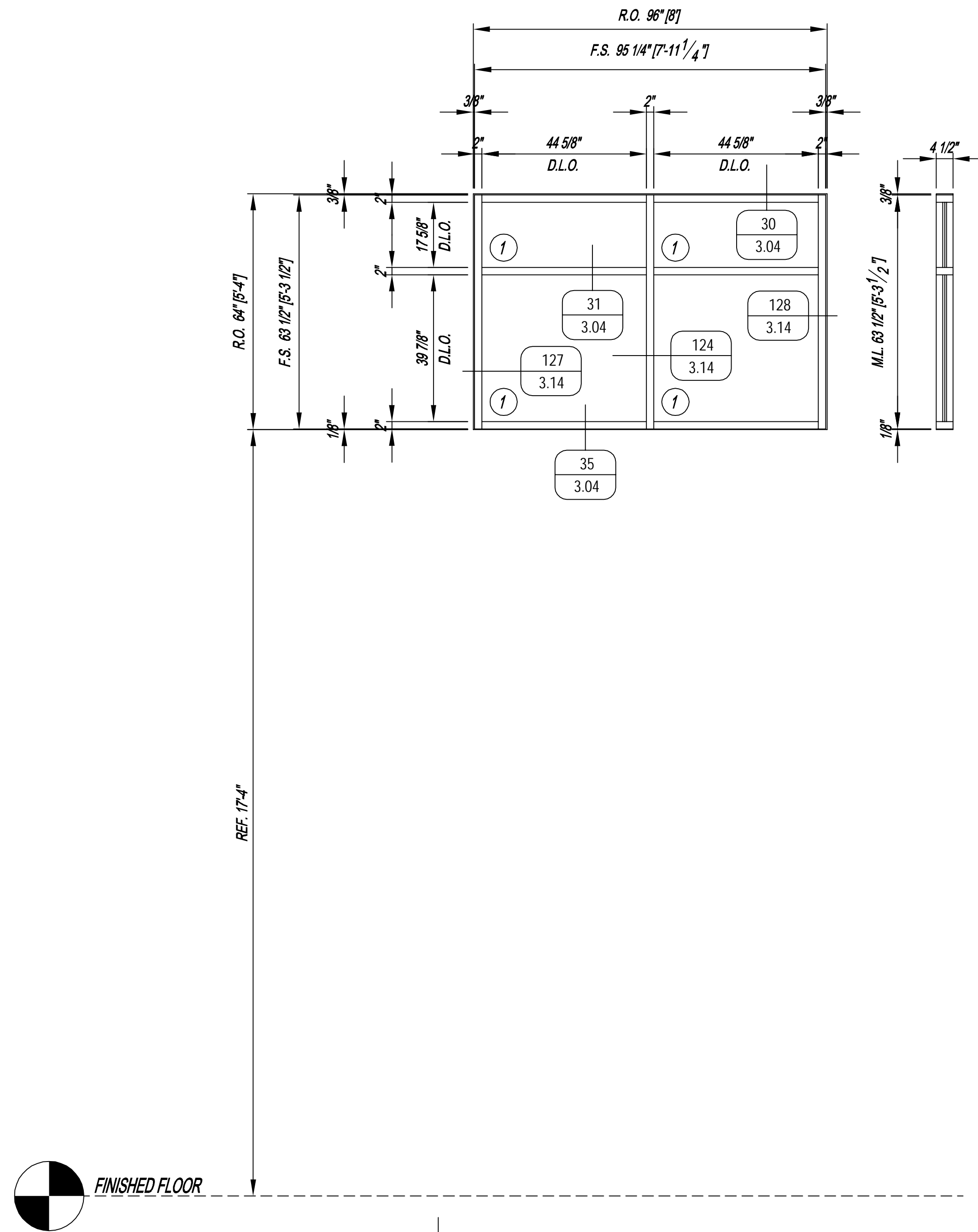
SCALE: $\frac{1}{2}'' = 1'-0''$
 OLD CASTLES BE FG-3000 - 2" X 4 $\frac{1}{2}''$
 EXTERIOR STOREFRONT
 1" INSULATED GLASS (CENTER SET)
 QUANTITY: 2



ELEVATION L

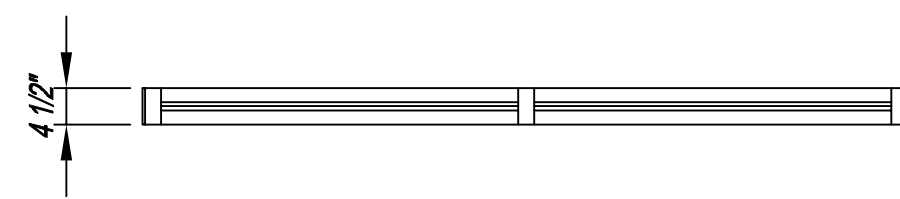
SCALE: $\frac{1}{2}'' = 1'-0''$
 OLD CASTLES BE FG-3000 - 2" X 4 $\frac{1}{2}''$
 EXTERIOR STOREFRONT
 1" INSULATED GLASS (CENTER SET)
 QUANTITY: 2

PROJECT NAME & ADDRESS		DRAWING SUBMISSION	
PROJECT NAME & ADDRESS		NO	DESCRIPTION
PROJECT NAME & ADDRESS		10/30/11	DATE
PROJECT NAME & ADDRESS		8/11/11	DATE
PROJECT NAME & ADDRESS		ARCHITECT	CUSTOMER
PROJECT NAME & ADDRESS		GL	8/11/11
PROJECT NAME & ADDRESS		CCW	8/11/11
PROJECT NAME & ADDRESS		PINE SHADOWS ELEMENTARY	
PROJECT NAME & ADDRESS		SHEET NO: 2.34	

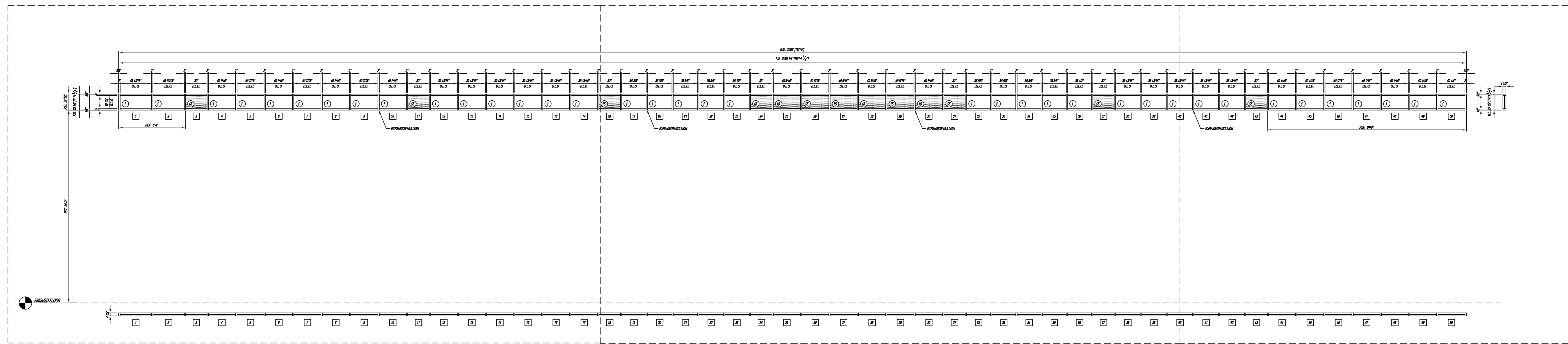


ELEVATION **N**

SCALE: 1/2" = 1'-0"
 OLD CASTLES BE FG-3000 - 2" X 4 1/2"
 EXTERIOR STOREFRONT
 1" INSULATED GLASS (CENTER SET)
 QUANTITY: 4



PROJECT: PROJECT NAME & ADDRESS		DRAWN BY: GL		DATE: 8/11/11	
		CHECKED BY: CCW		DATE: 8/11/11	
JOB NAME: PINE SHADOWS ELEMENTARY		ARCHITECT: GL		CUSTOMER:	
SHEET NO: 2.35		1ST. REVISION: 10/30/11		DATE: 8/11/11	
		1ST. SUBMISSION		DESCRIPTION	
		NO		DRAWING SUBMISSION	



PAGE 2.37

PAGE 2.38

PAGE 2.39

ELEVATION  **RR**

SCALE: N.T.S.

OLD CASTLES BE FG-3000 - 2" X 4 1/2"

EXTERIOR STOREFRONT

1" INSULATED GLASS (CENTER SET)

QUANTITY: 1

PROJECT NAME AND ADDRESS

PROJECT: PROJECT NAME & ADDRESS

DRAWN BY: GL

DATE: 8/11/11

CHECKED BY: CCW

DATE: 8/11/11

JOB NAME:

PINE SHADOWS ELEMENTARY

SHEET NO:

2.36

ARCHITECT

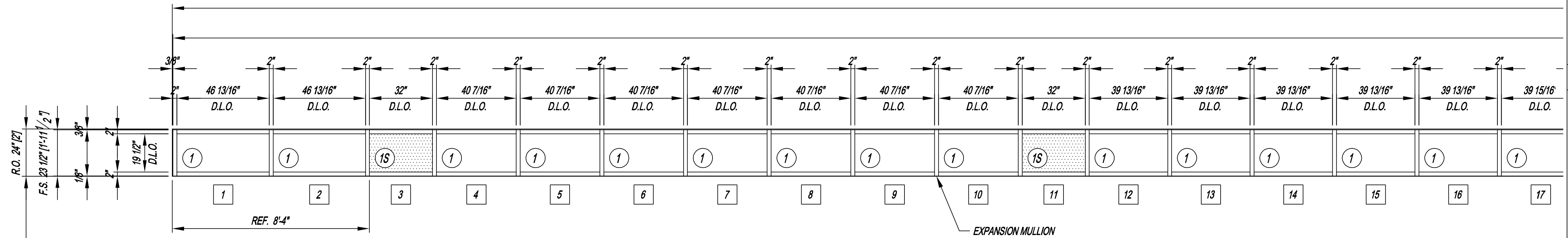
CUSTOMER

1ST. REVISION 10/30/11

1ST. SUBMISSION 8/11/11

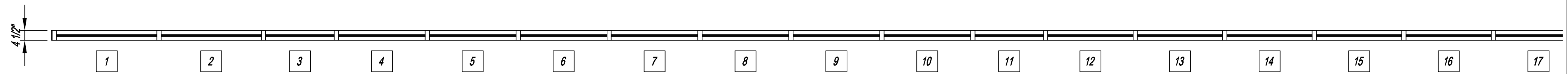
NO DESCRIPTION DATE

DRAWING SUBMISSION



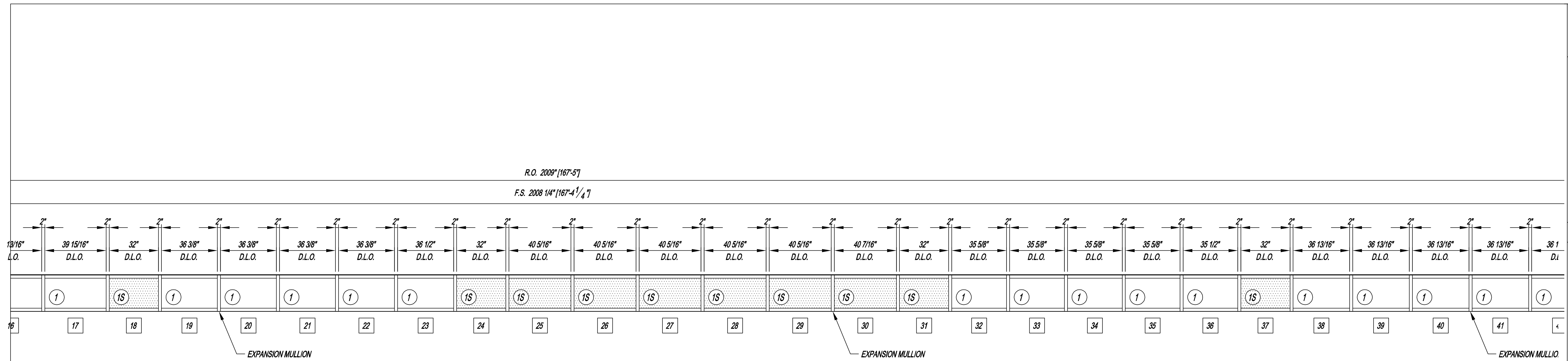
- 33 HEAD DETAIL
3.04
- 34 SILL DETAIL
3.04
- 123 RIGHT JAMB DETAIL
3.14
- 126 LEFT JAMB DETAIL
3.14
- 124 TYPICAL VERTICAL MULLION DETAIL
3.14
- 125 EXPANSION MULLION DETAIL
3.14

ERECTOR / G.C. NOTE:
PLEASE FIELD VERIFY ALL DIMENSIONS



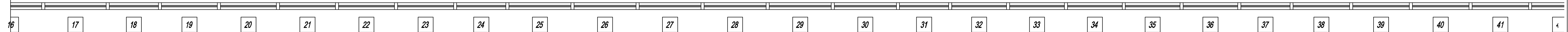
ELEVATION RR
 SCALE: 1/4" = 1'-0"
 OLD CASTLES BE FG-3000 - 2" X 4 1/2"
 EXTERIOR STOREFRONT
 1" INSULATED GLASS (CENTER SET)
 QUANTITY: 1

PROJECT NAME AND ADDRESS	
PROJECT: PROJECT NAME & ADDRESS ARCHITECT: PROJECT NAME & ADDRESS CUSTOMER: PROJECT NAME & ADDRESS	1ST. REVISION: 10/30/11 1ST. SUBMISSION: 8/11/11 NO. DESCRIPTION DATE DRAWING SUBMISSION
DRAWN BY: GL CHECKED BY: CCW JOB NAME: PINE SHADOWS ELEMENTARY SHEET NO.: 2.37	DATE: 8/11/11 DATE: 8/11/11



- 33 HEAD DETAIL
3.04
- 34 SILL DETAIL
3.04
- 123 RIGHT JAMB DETAIL
3.14
- 126 LEFT JAMB DETAIL
3.14
- 124 TYPICAL VERTICAL MULLION DETAIL
3.14
- 125 EXPANSION MULLION DETAIL
3.14

ERECTOR / G.C. NOTE:
PLEASE FIELD VERIFY ALL DIMENSIONS

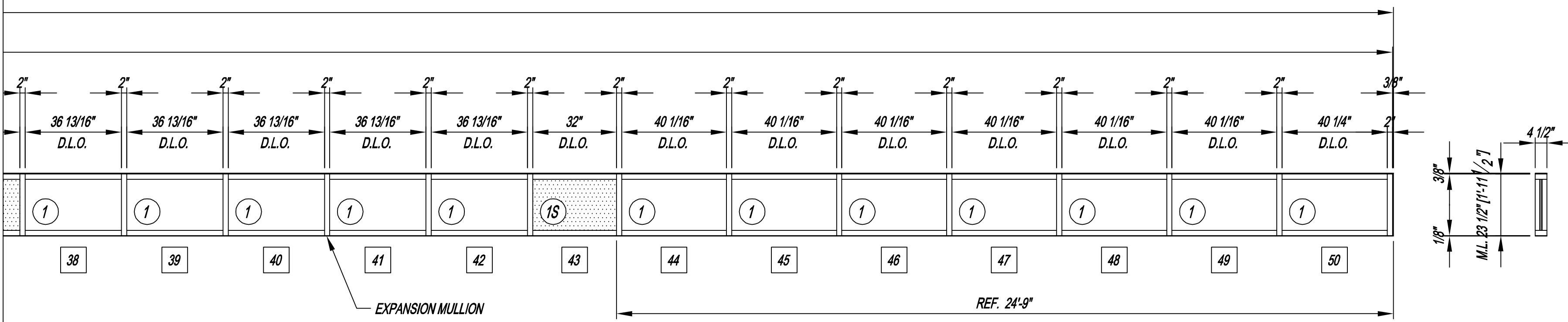


ELEVATION RR
 SCALE: 1/4" = 1'-0"
 OLD CASTLES BE FG-3000 - 2" X 4 1/2"
 EXTERIOR STOREFRONT
 1" INSULATED GLASS (CENTER SET)
 QUANTITY: 1

NO	DESCRIPTION	DATE
10/30/11	1ST. REVISION	
8/11/11	1ST. SUBMISSION	
	DRAWING SUBMISSION	

PROJECT NAME AND ADDRESS

PROJECT: PROJECT NAME & ADDRESS	
ARCHITECT	CUSTOMER
DRAWN BY: GL	DATE: 8/11/11
CHECKED BY: CCW	DATE: 8/11/11
JOB NAME: PINE SHADOWS ELEMENTARY	
SHEET NO: 2.38	



- 33 HEAD DETAIL
3.04
- 34 SILL DETAIL
3.04
- 123 RIGHT JAMB DETAIL
3.14
- 126 LEFT JAMB DETAIL
3.14
- 124 TYPICAL VERTICAL MULLION DETAIL
3.14
- 125 EXPANSION MULLION DETAIL
3.14

ERECTOR / G.C. NOTE:
PLEASE FIELD VERIFY ALL DIMENSIONS

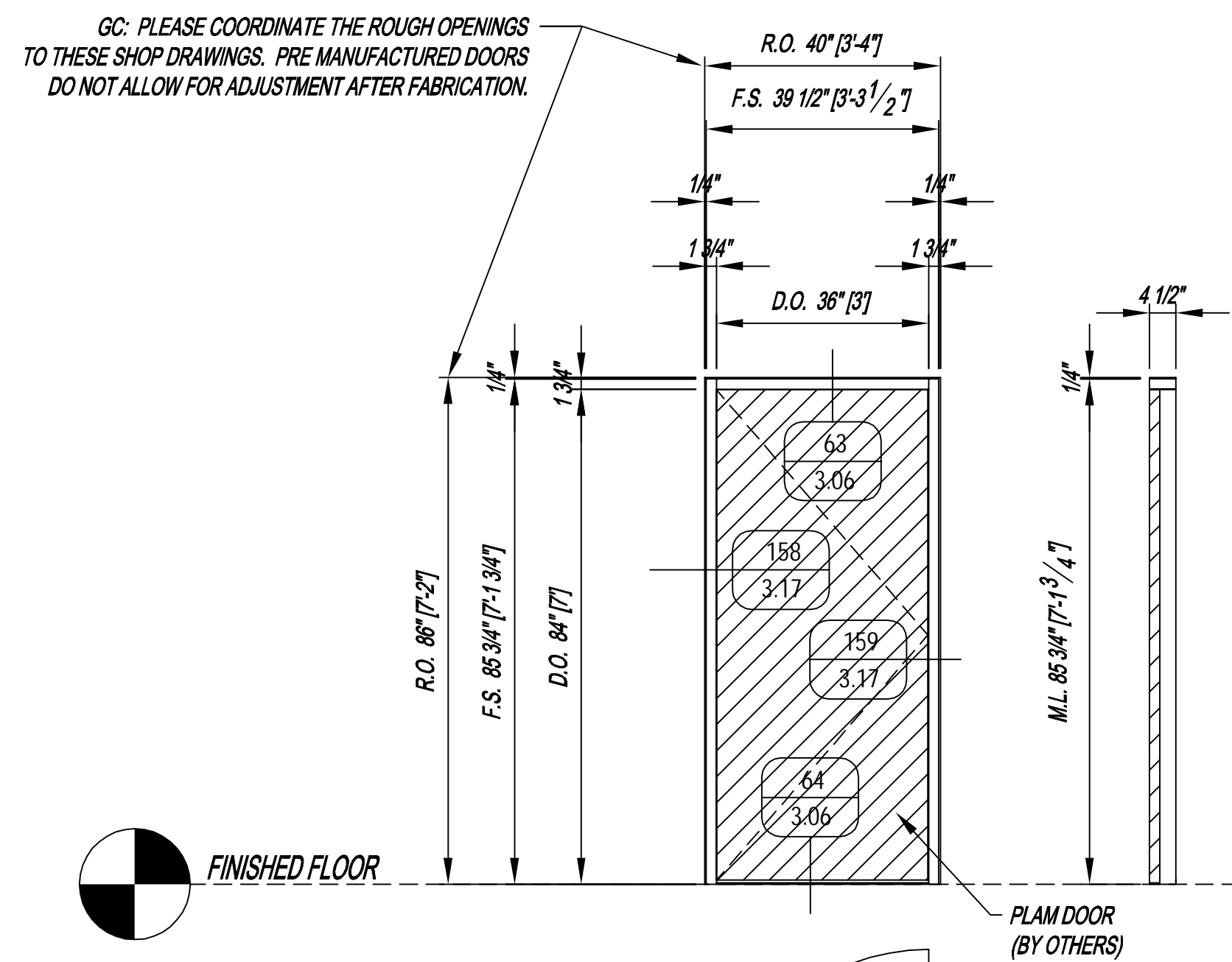


ELEVATION RR
 SCALE: $\frac{1}{4}" = 1'-0"$
 OLD CASTLES BE FG-3000 - 2" X 4 $\frac{1}{2}"$
 EXTERIOR STOREFRONT
 1" INSULATED GLASS (CENTER SET)
 QUANTITY: 1

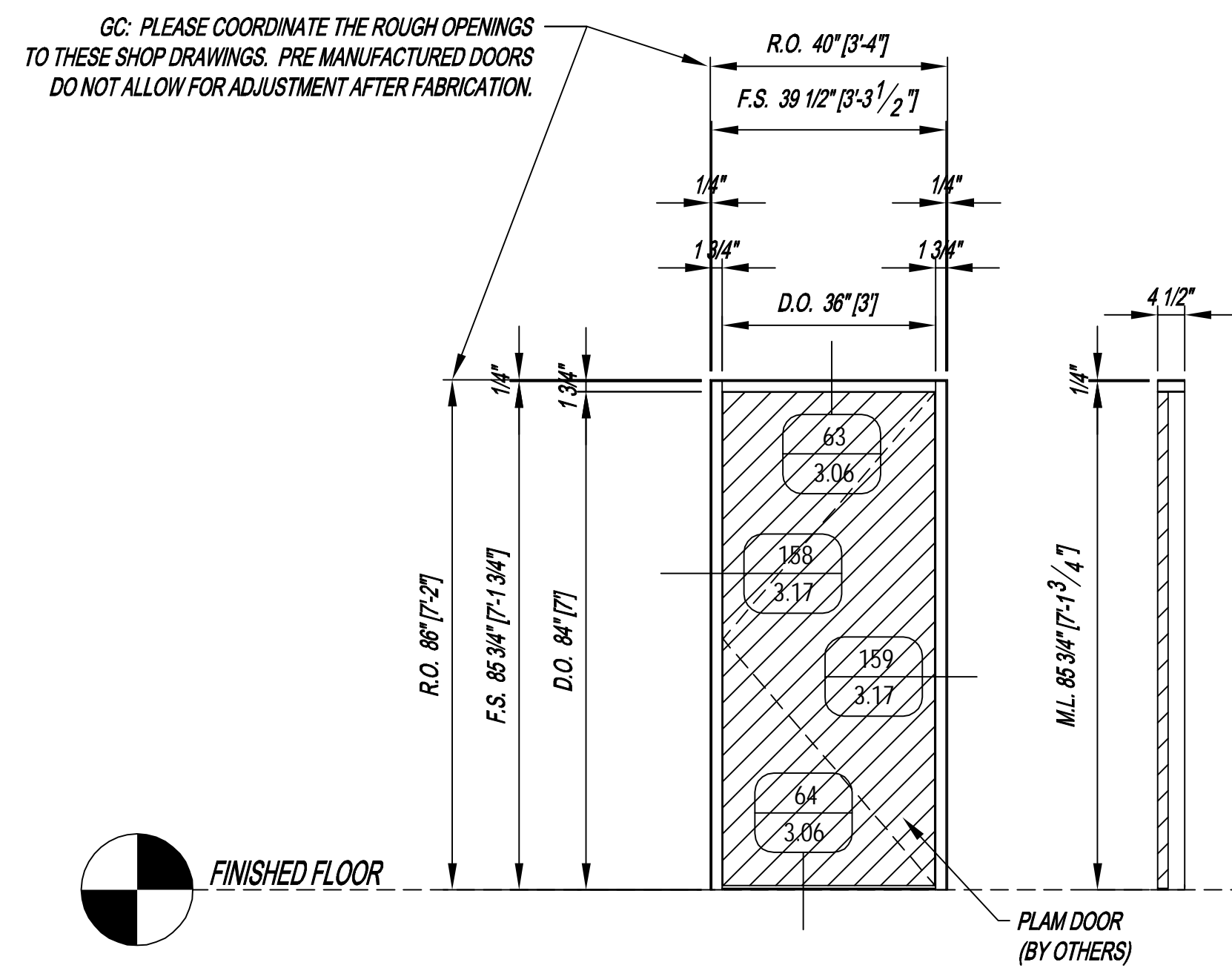
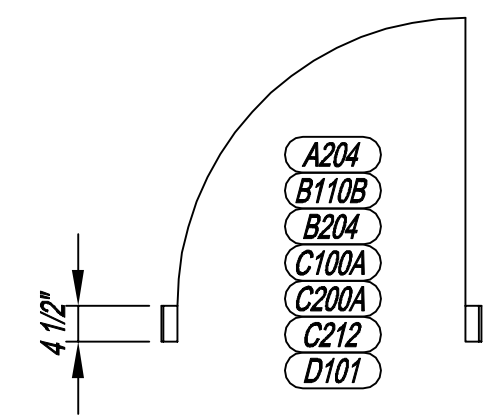
		10/30/11	DATE
		8/11/11	DATE
10/30/11	1ST. REVISION		
8/11/11	1ST. SUBMISSION		
NO		DESCRIPTION	DRAWING SUBMISSION

PROJECT NAME AND ADDRESS

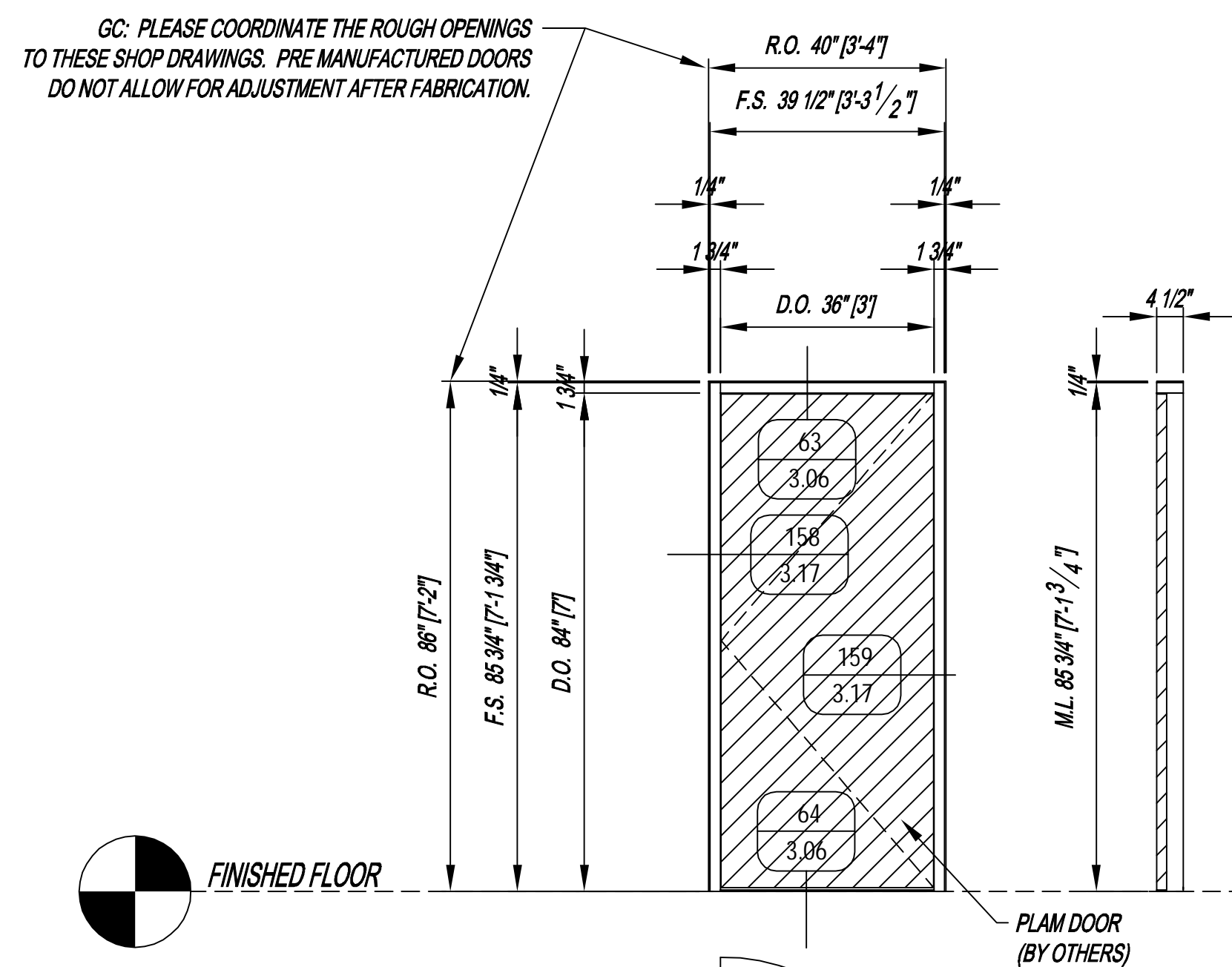
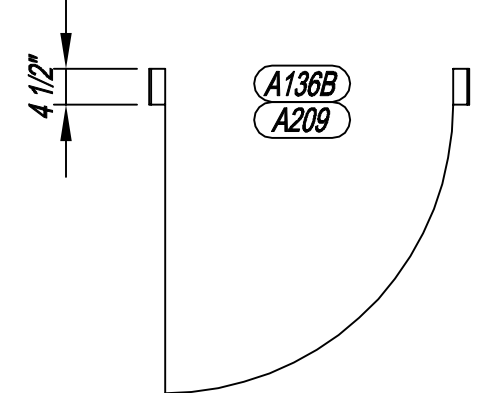
PROJECT: PROJECT NAME & ADDRESS	
ARCHITECT	CUSTOMER
DATE	DATE
8/11/11	8/11/11
JOB NAME: PINE SHADOWS ELEMENTARY	
SHEET NO: 2.39	



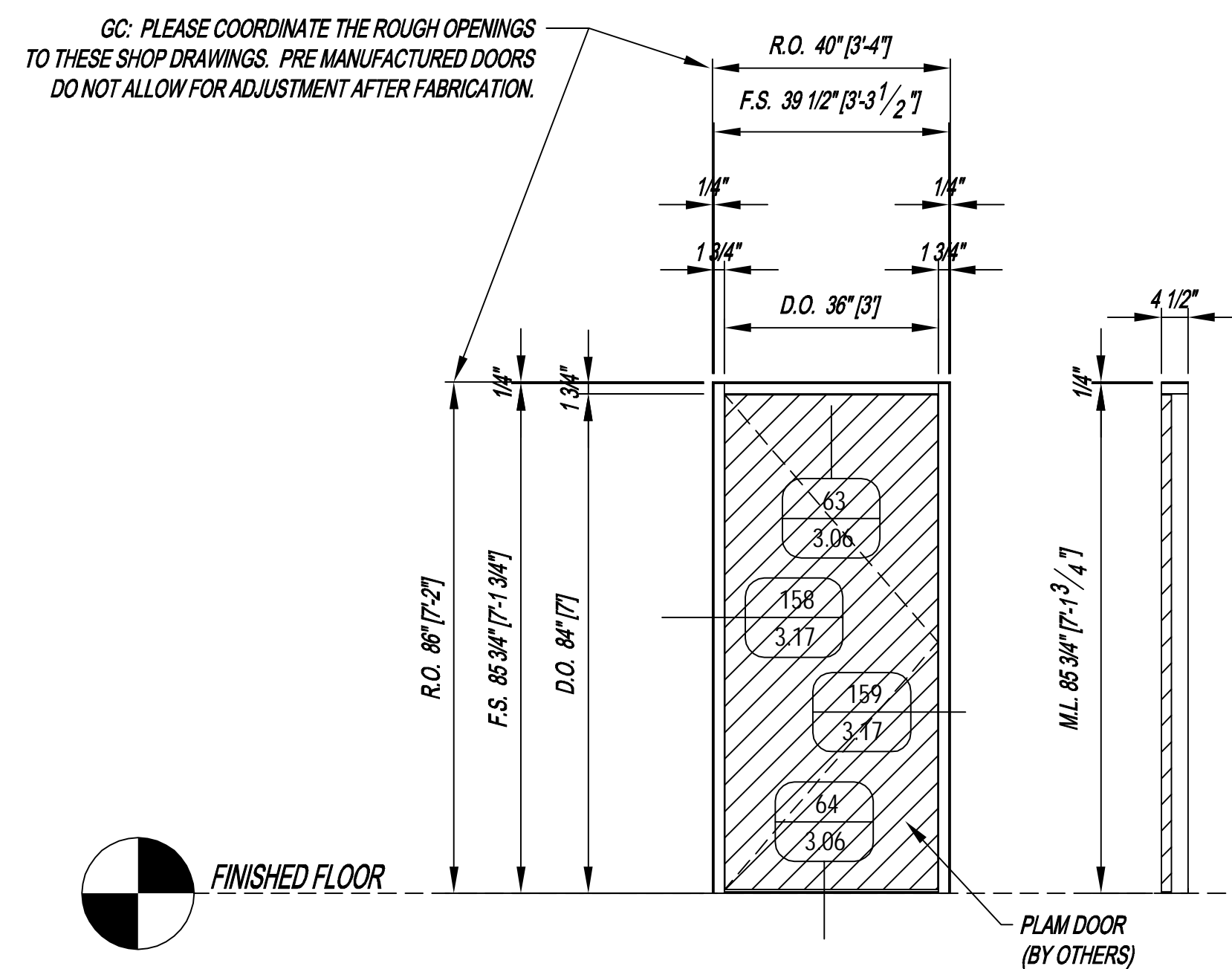
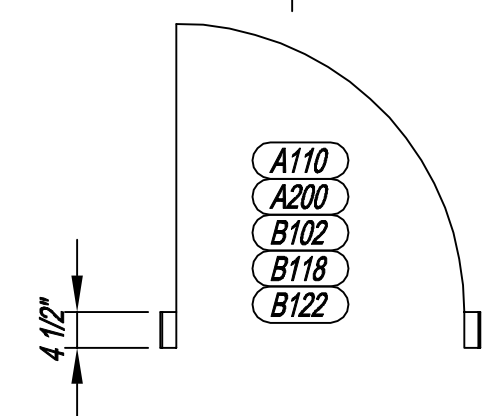
ELEVATION 1 RHSI
 SCALE: 1/2" = 1'-0"
 OLD CASTLES BE FG-2000 - 1 3/4" X 4 1/2"
 INTERIOR STOREFRONT
 QUANTITY: 7



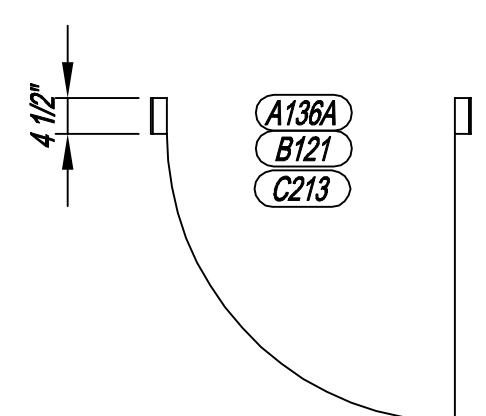
ELEVATION 1 RHSC
 SCALE: 1/2" = 1'-0"
 OLD CASTLES BE FG-2000 - 1 3/4" X 4 1/2"
 INTERIOR STOREFRONT
 QUANTITY: 2



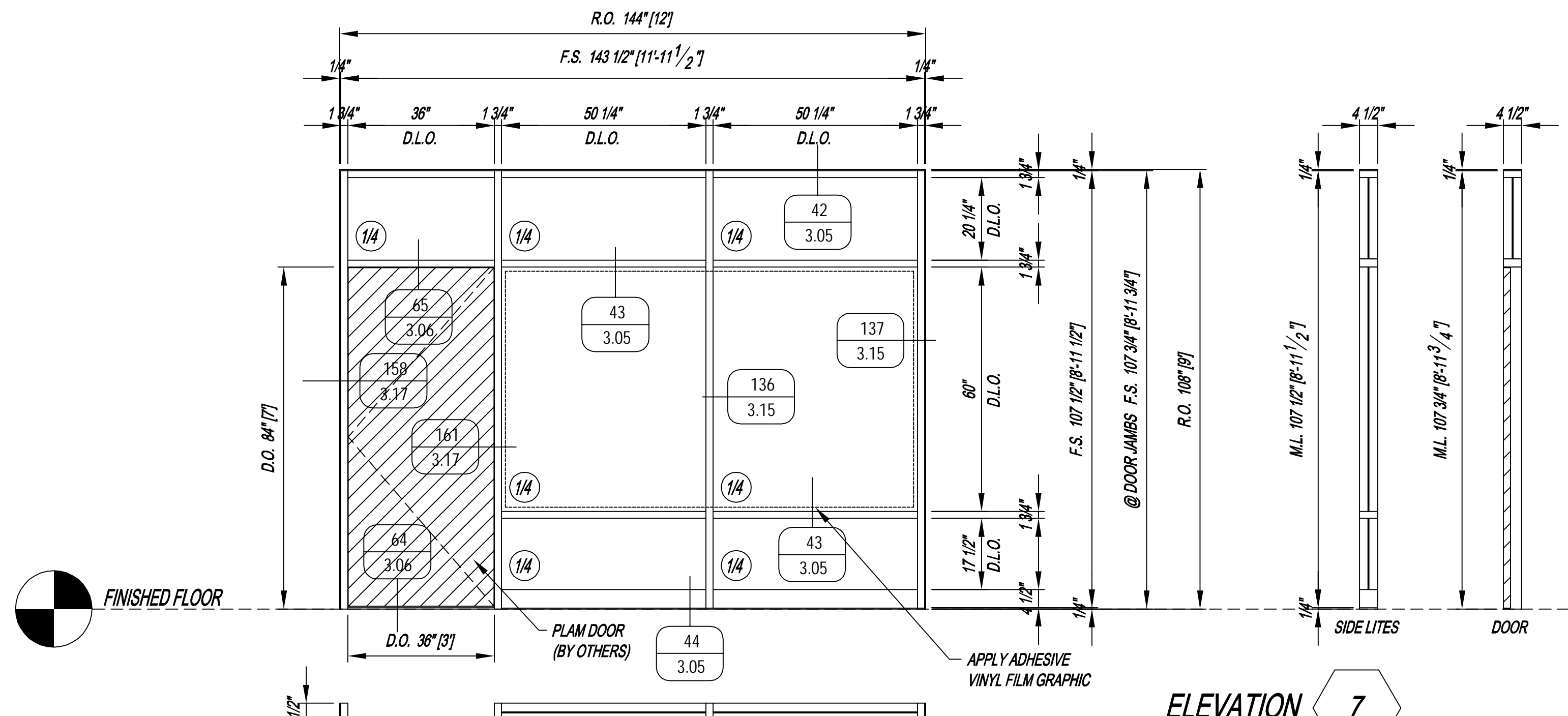
ELEVATION 1 LHSI
 SCALE: 1/2" = 1'-0"
 OLD CASTLES BE FG-2000 - 1 3/4" X 4 1/2"
 INTERIOR STOREFRONT
 QUANTITY: 5



ELEVATION 1 LHSC
 SCALE: 1/2" = 1'-0"
 OLD CASTLES BE FG-2000 - 1 3/4" X 4 1/2"
 INTERIOR STOREFRONT
 QUANTITY: 3



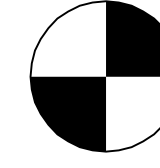
PROJECT: PROJECT NAME & ADDRESS		ARCHITECT: PROJECT NAME & ADDRESS		CUSTOMER: PROJECT NAME & ADDRESS	
DRAWN BY: GL	DATE: 8/11/11	1ST. REVISION	10/30/11	DESCRIPTION	DRAWING SUBMISSION
CHECKED BY: CCW	DATE: 8/11/11	1ST. SUBMISSION	8/11/11	NO	
JOB NAME: PINE SHADOWS ELEMENTARY					
SHEET NO.: 2.40					



ELEVATION 7

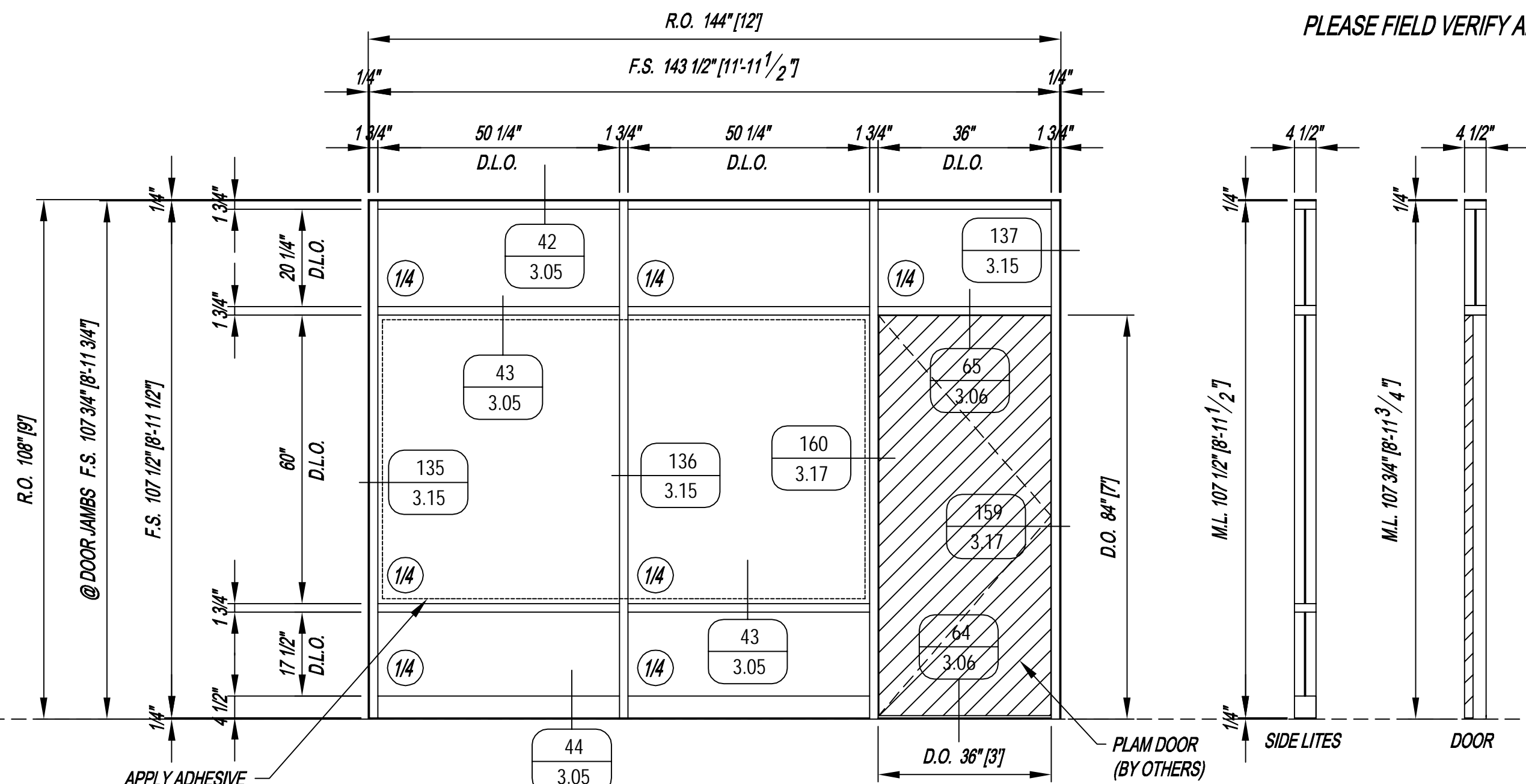
SCALE: 1/2" = 1'-0"
 OLD CASTLES BE FG-2000 - 1 3/4" X 4 1/2"
 INTERIOR STOREFRONT
 1/4" TEMPERED GLASS (CENTER SET)
 QUANTITY: 21

A113	B200	C205
A115	B202	C208
A117	C101	C210
A202	C104	D107
A205	C106	D201
A207	C108	D203
B133A	C201	D207A



FINISHED FLOOR

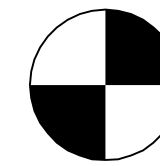
ERECTOR / G.C. NOTE:
 PLEASE FIELD VERIFY ALL DIMENSIONS



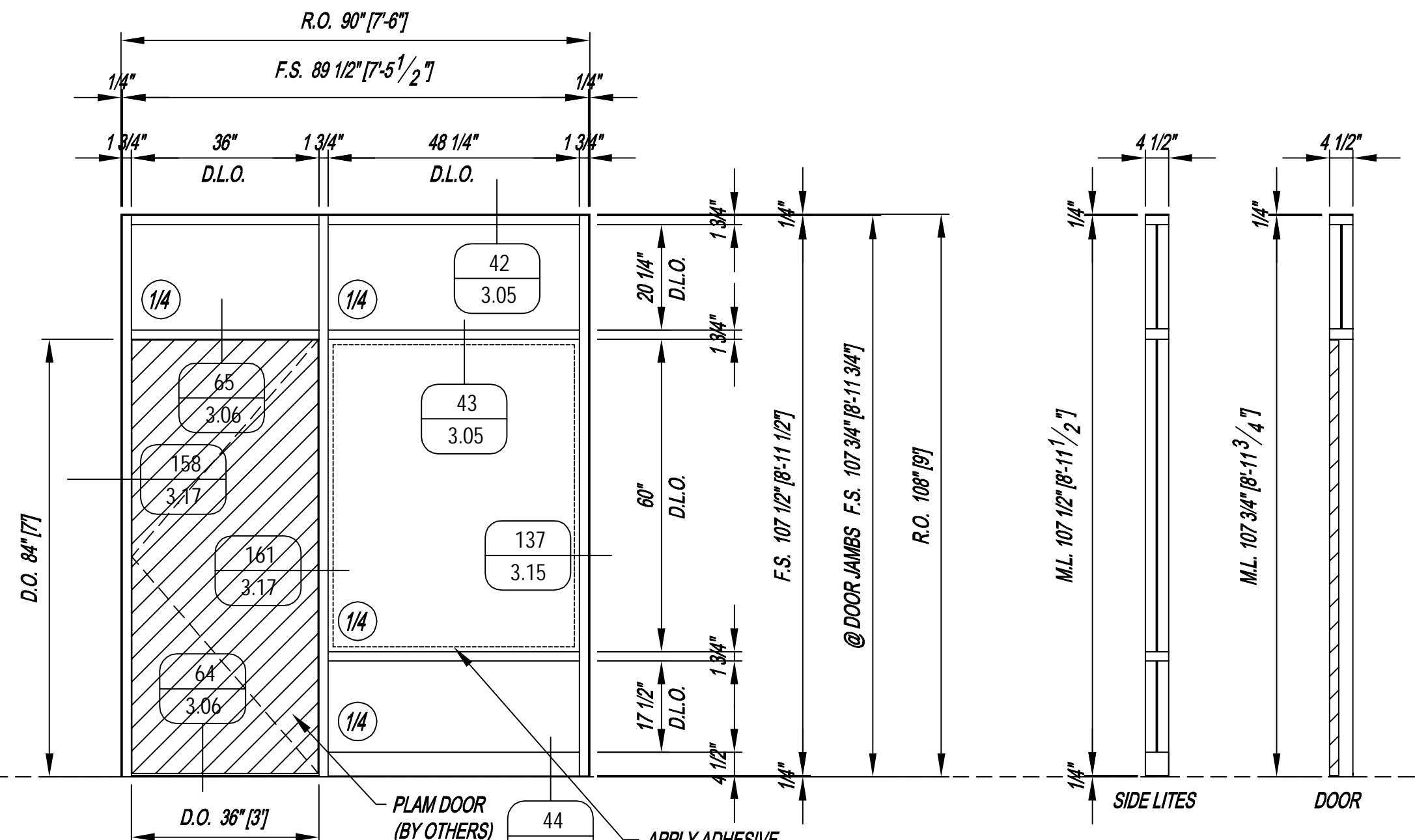
ELEVATION 8

SCALE: 1/2" = 1'-0"
 OLD CASTLES BE FG-2000 - 1 3/4" X 4 1/2"
 INTERIOR STOREFRONT
 1/4" TEMPERED GLASS (CENTER SET)
 QUANTITY: 22

A111	B127	C206
A114	B201	C209
A116	B203A	D114B
A118	B208	D200
A201A	C103	D202
A203	C105	D206
A206	C107	
A208	C204	

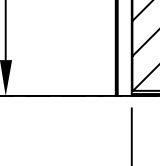


FINISHED FLOOR



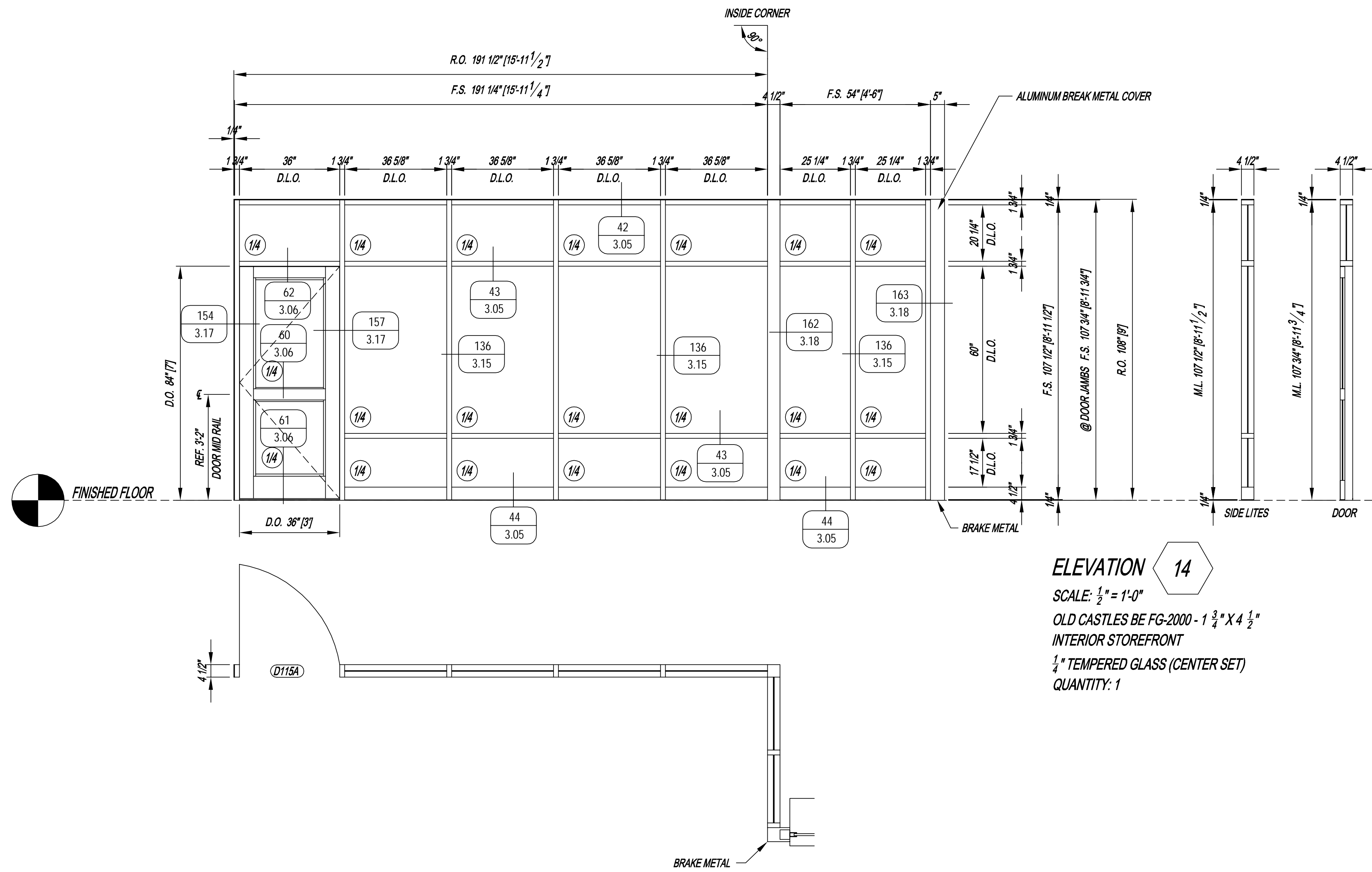
ELEVATION 9

SCALE: 1/2" = 1'-0"
 OLD CASTLES BE FG-2000 - 1 3/4" X 4 1/2"
 INTERIOR STOREFRONT
 1/4" TEMPERED GLASS (CENTER SET)
 QUANTITY: 2



FINISHED FLOOR

PROJECT NAME AND ADDRESS						
PROJECT:	PROJECT NAME & ADDRESS	ARCHITECT:		DATE:		
DRAWN BY:	GL	CUSTOMER:		DATE:	8/11/11	
CHECKED BY:	CCW			DATE:	8/11/11	
JOB NAME:	PINE SHADOWS ELEMENTARY					
SHEET NO.:	2.41					
				1ST. REVISION	10/30/11	
				1ST. SUBMISSION	8/11/11	
				NO	DESCRIPTION	DRAWING SUBMISSION

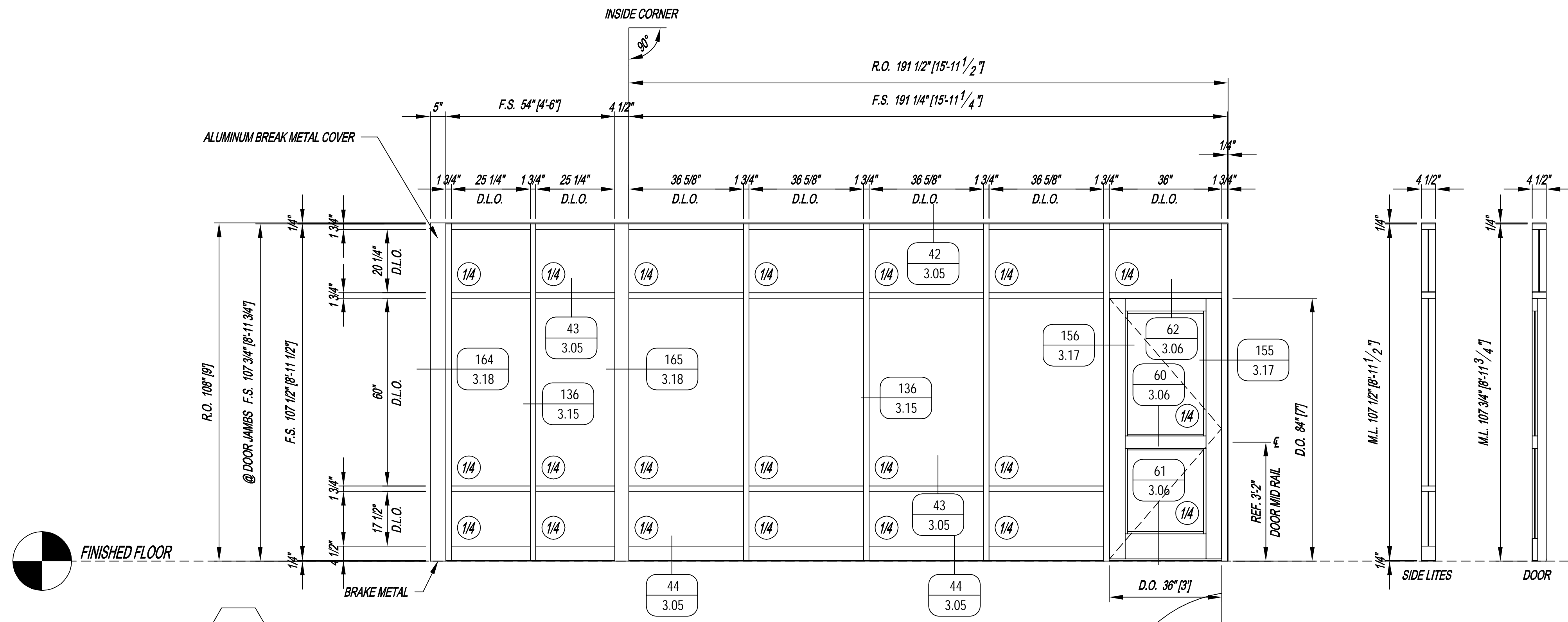


ELEVATION 14
 SCALE: 1/2" = 1'-0"
 OLD CASTLES BE FG-2000 - 1 3/4" X 4 1/2"
 INTERIOR STOREFRONT
 1/4" TEMPERED GLASS (CENTER SET)
 QUANTITY: 1

NO	DESCRIPTION	DATE
10/30/11	1ST. REVISION	
8/11/11	1ST. SUBMISSION	
	DRAWING SUBMISSION	

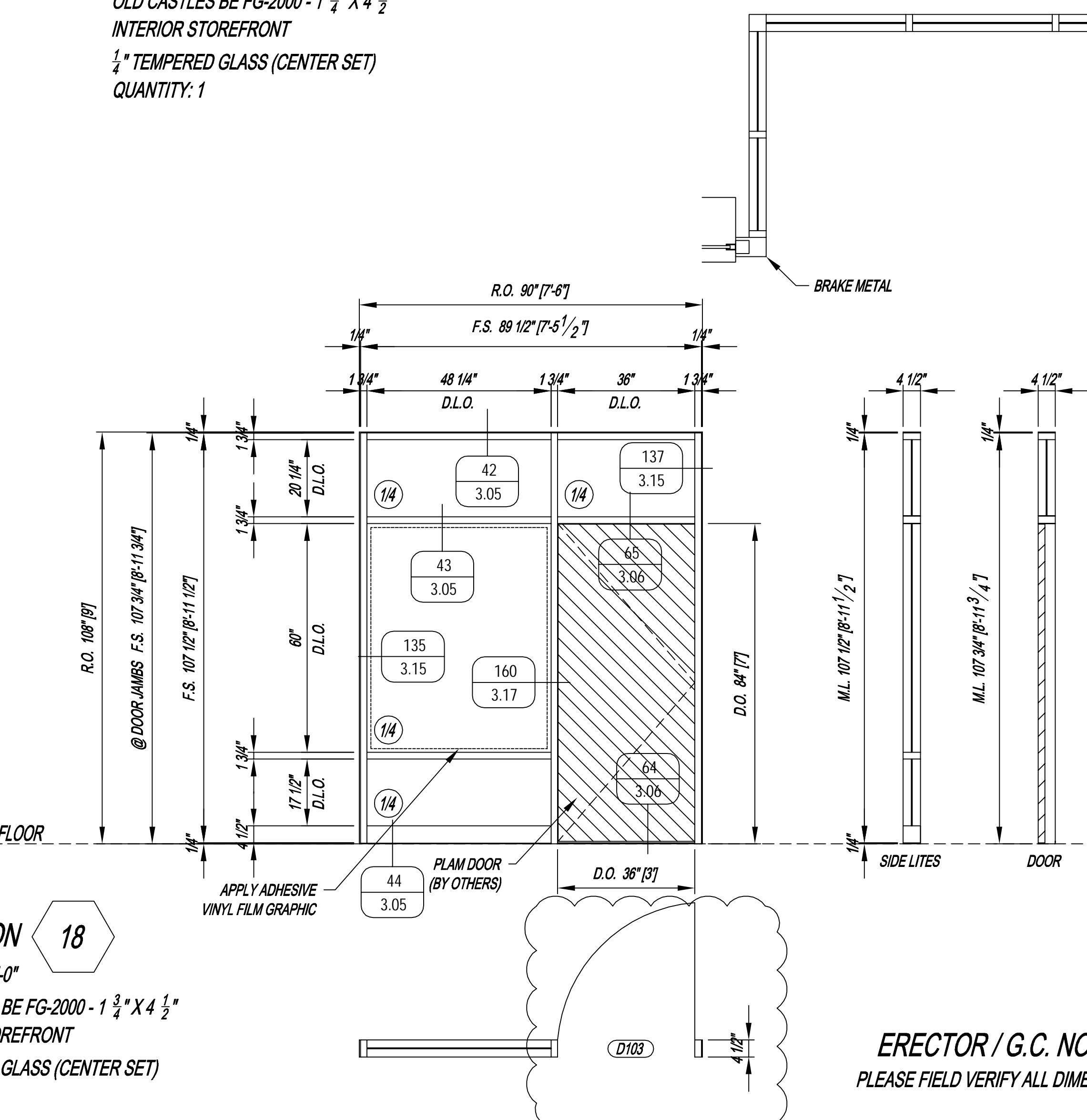
PROJECT NAME AND ADDRESS

PROJECT: PROJECT NAME & ADDRESS	
ARCHITECT:	CUSTOMER:
DATE: 8/11/11	DATE: 8/11/11
JOB NAME: PINE SHADOWS ELEMENTARY	
SHEET NO: 2.42	



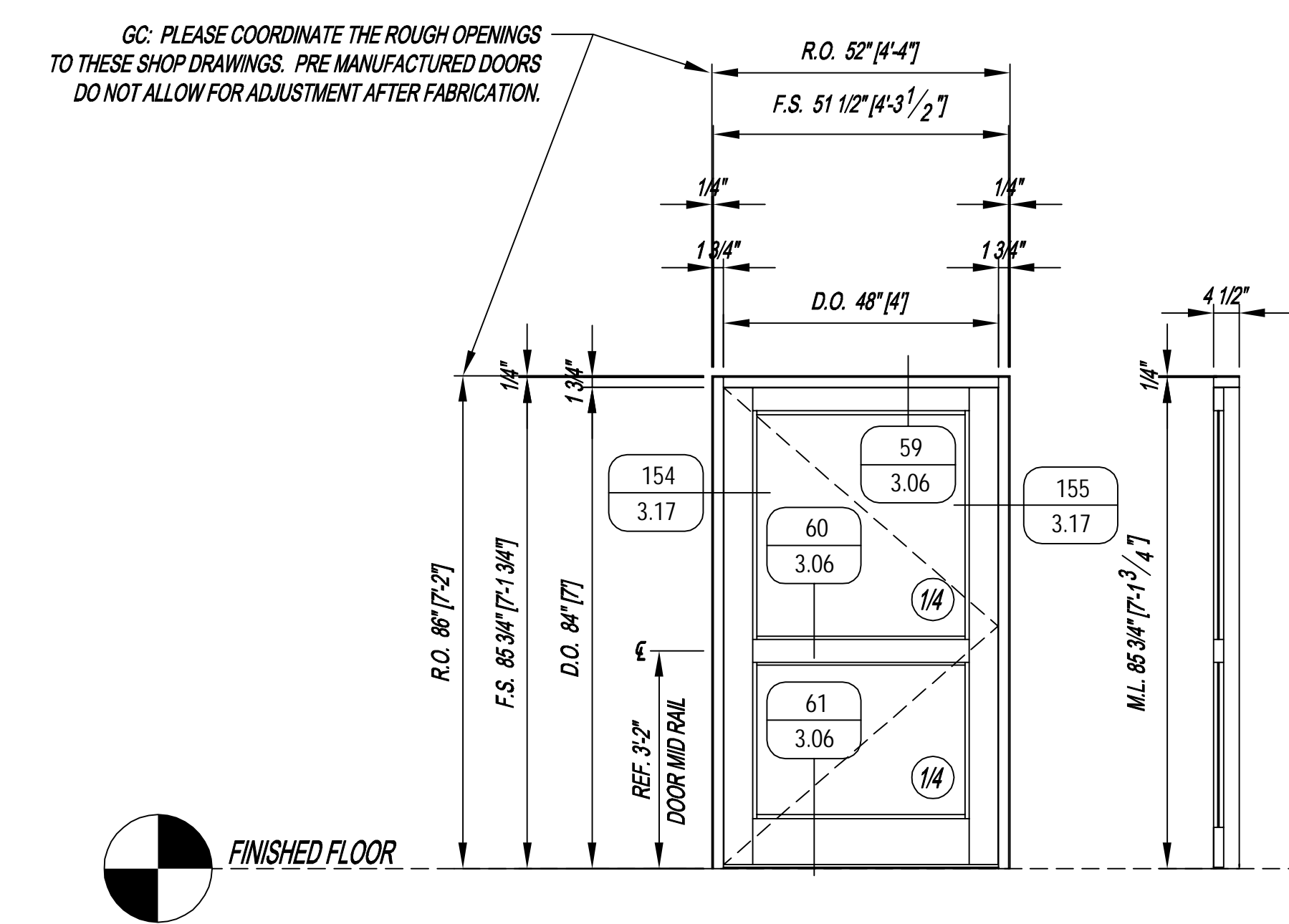
ELEVATION 15

SCALE: $\frac{1}{2}'' = 1'-0''$
 OLD CASTLES BE FG-2000 - $1 \frac{3}{4}'' \times 4 \frac{1}{2}''$
 INTERIOR STOREFRONT
 $\frac{1}{4}''$ TEMPERED GLASS (CENTER SET)
 QUANTITY: 1



ELEVATION 18

SCALE: $\frac{1}{2}'' = 1'-0''$
 OLD CASTLES BE FG-2000 - $1 \frac{3}{4}'' \times 4 \frac{1}{2}''$
 INTERIOR STOREFRONT
 $\frac{1}{4}''$ TEMPERED GLASS (CENTER SET)
 QUANTITY: 1

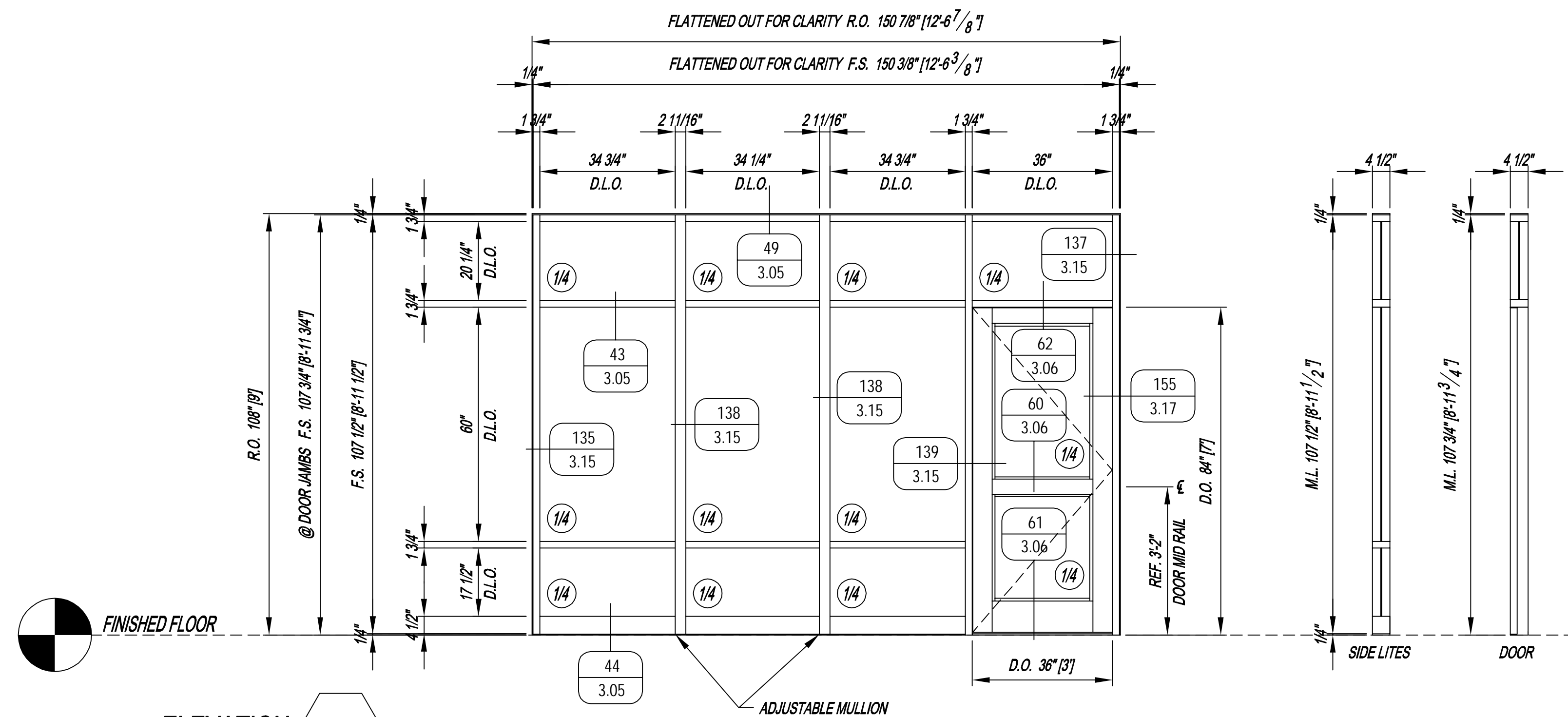


ELEVATION 19A

SCALE: $\frac{1}{2}'' = 1'-0''$
 OLD CASTLES BE FG-2000 - $1 \frac{3}{4}'' \times 4 \frac{1}{2}''$
 INTERIOR STOREFRONT
 $\frac{1}{4}''$ TEMPERED GLASS (CENTER SET)
 QUANTITY: 1

ERECTOR / G.C. NOTE:
 PLEASE FIELD VERIFY ALL DIMENSIONS

PROJECT NAME AND ADDRESS		PROJECT NAME & ADDRESS	
NO	DESCRIPTION	PROJECT	PROJECT NAME & ADDRESS
10/30/11	1ST. REVISION	DRAWN BY:	GL
8/11/11	1ST. SUBMISSION	CHECKED BY:	CCW
DATE	DRAWING SUBMISSION	JOB NAME:	PINE SHADOWS ELEMENTARY
		SHEET NO.:	2.43



ELEVATION 23

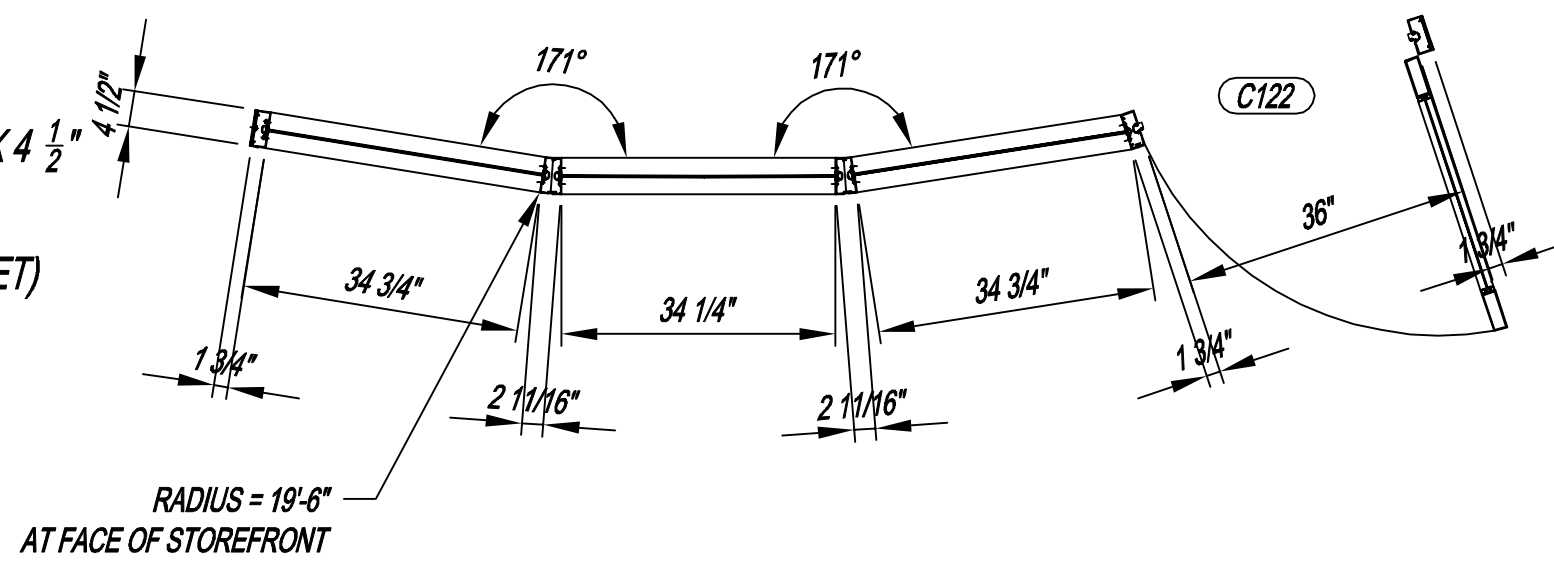
SCALE: $\frac{1}{2}'' = 1'-0''$

OLD CASTLES BE FG-2000 - $1 \frac{3}{4}'' \times 4 \frac{1}{2}''$

INTERIOR STOREFRONT

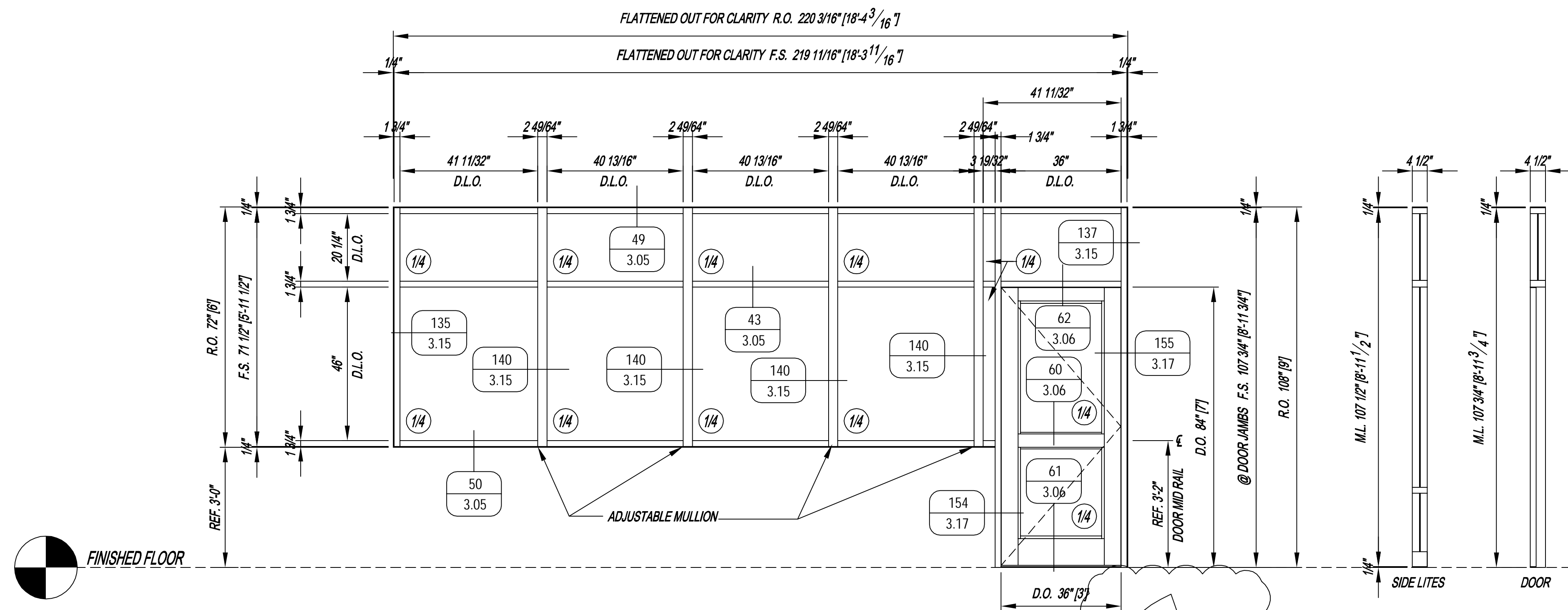
$\frac{1}{4}''$ TEMPERED GLASS (CENTER SET)

QUANTITY: 1



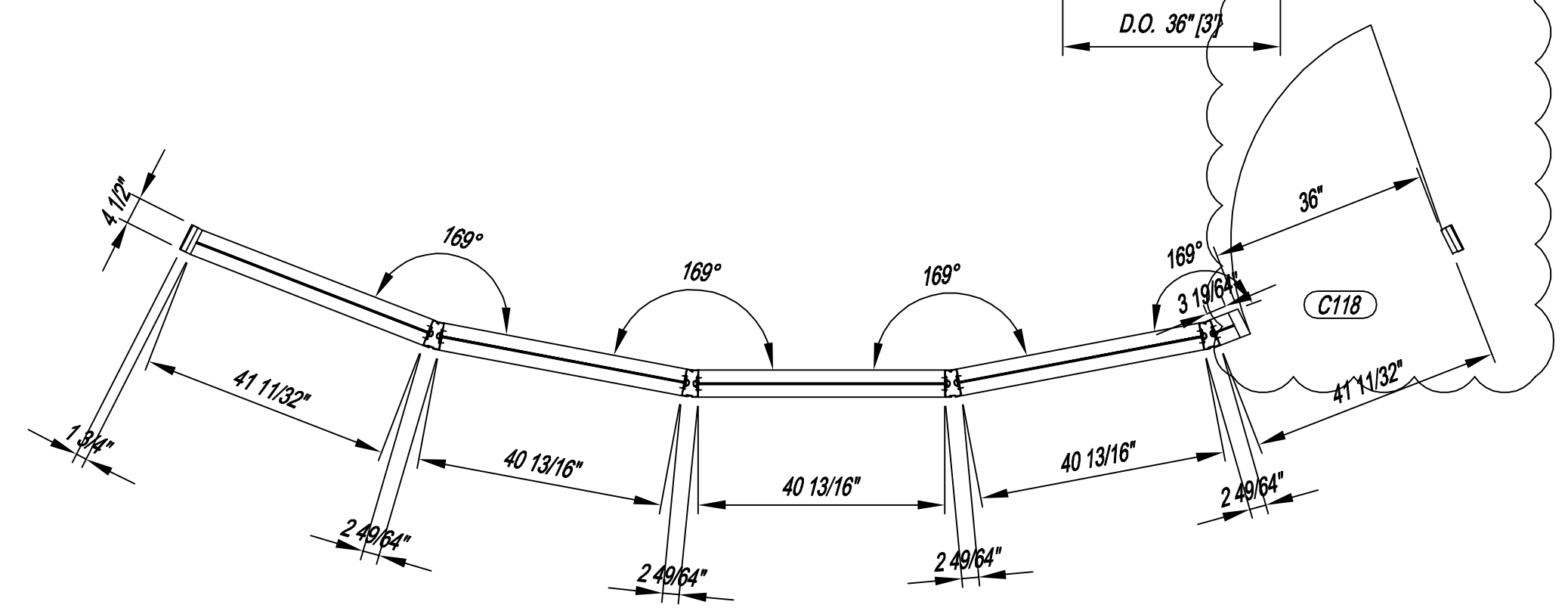
ERECTOR / G.C. NOTE:
PLEASE FIELD VERIFY ALL DIMENSIONS

PROJECT NAME AND ADDRESS				
PROJECT: PROJECT NAME & ADDRESS ARCHITECT: PROJECT NAME & ADDRESS CUSTOMER: PROJECT NAME & ADDRESS	PROJECT NAME & ADDRESS	PROJECT NAME & ADDRESS	PROJECT NAME & ADDRESS	PROJECT NAME & ADDRESS
DRAWN BY: GL CHECKED BY: CCW	DATE: 8/11/11 DATE: 8/11/11	ARCHITECT: PROJECT NAME & ADDRESS CUSTOMER: PROJECT NAME & ADDRESS	ARCHITECT: PROJECT NAME & ADDRESS CUSTOMER: PROJECT NAME & ADDRESS	10/30/11 8/11/11 DATE DATE
JOB NAME: PINE SHADOWS ELEMENTARY				DRAWING SUBMISSION
SHEET NO.: 2.44				NO DESCRIPTION DATE



ELEVATION 24

SCALE: 1/2" = 1'-0"
 OLD CASTLES BE FG-2000 - 1 3/4" X 4 1/2"
 INTERIOR STOREFRONT
 1/4" TEMPERED GLASS (CENTER SET)
 QUANTITY: 1

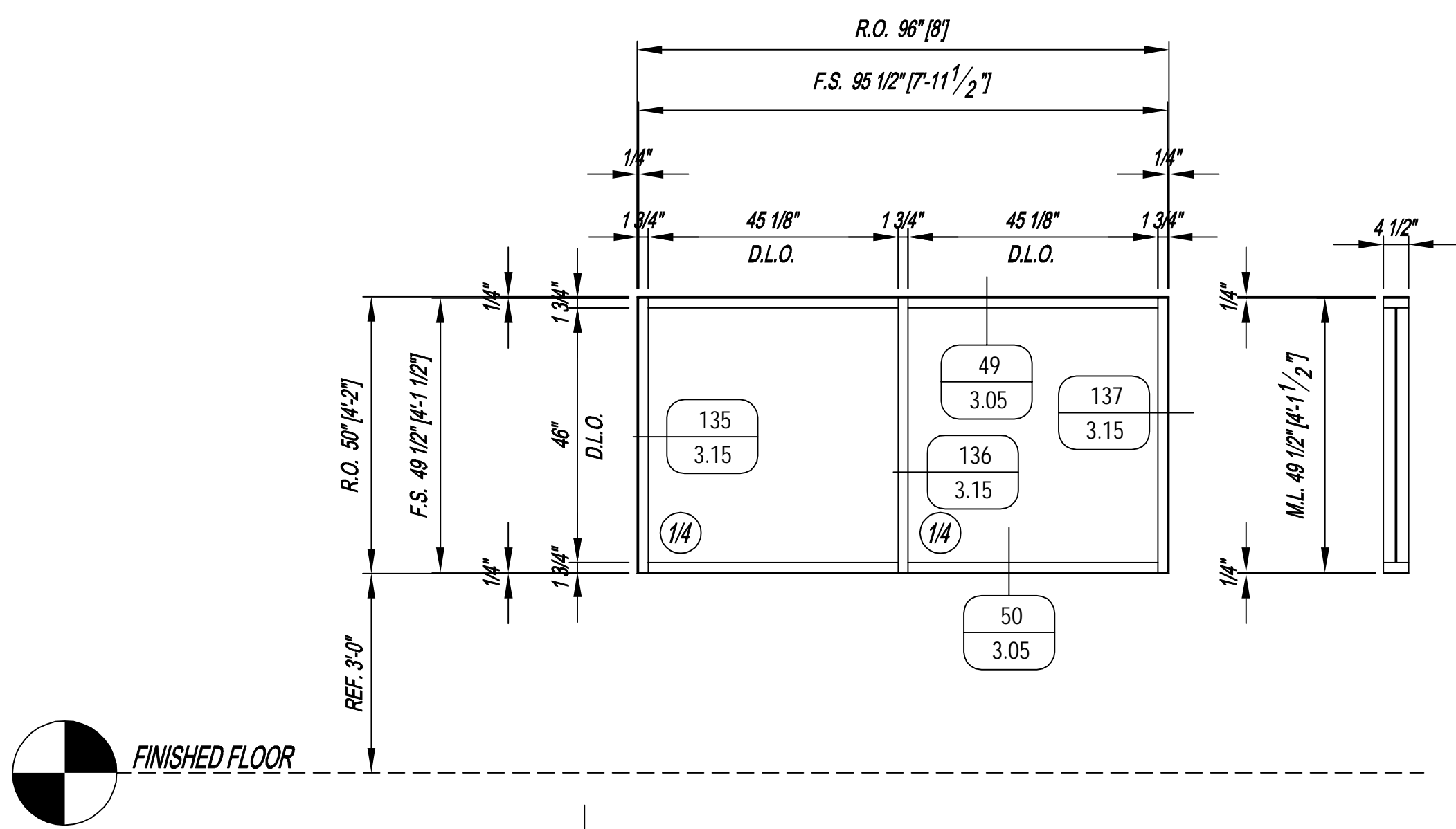


ERECTOR / G.C. NOTE:
 PLEASE FIELD VERIFY ALL DIMENSIONS

NO	DESCRIPTION	DATE
10/30/11	1ST. REVISION	8/11/11
8/11/11	1ST. SUBMISSION	
	DRAWING SUBMISSION	

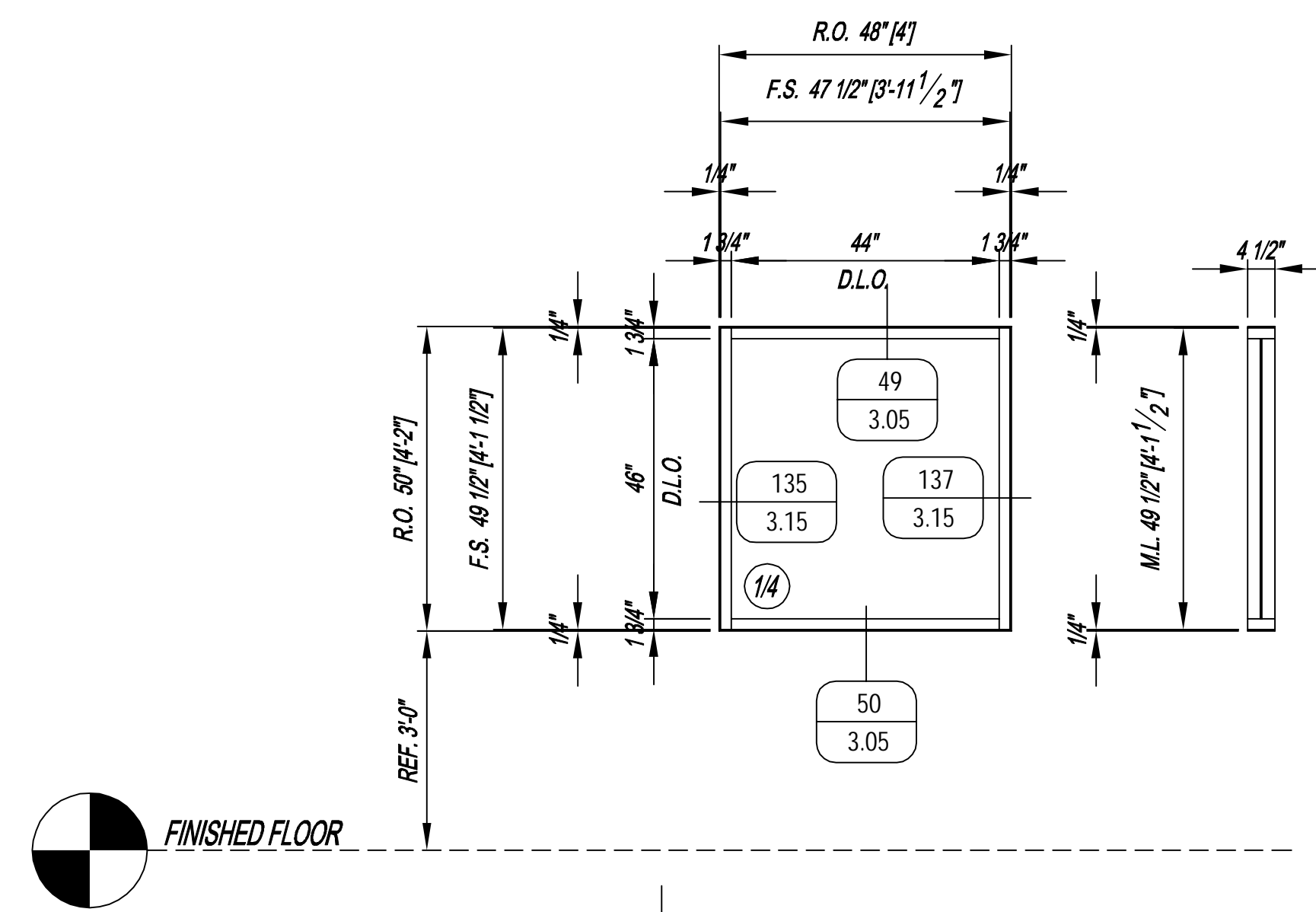
PROJECT NAME AND ADDRESS

PROJECT: PROJECT NAME & ADDRESS	
DRAWN BY: GL	DATE: 8/11/11
CHECKED BY: CCW	DATE: 8/11/11
JOB NAME: PINE SHADOWS ELEMENTARY	
SHEET NO: 2.45	



ELEVATION AA

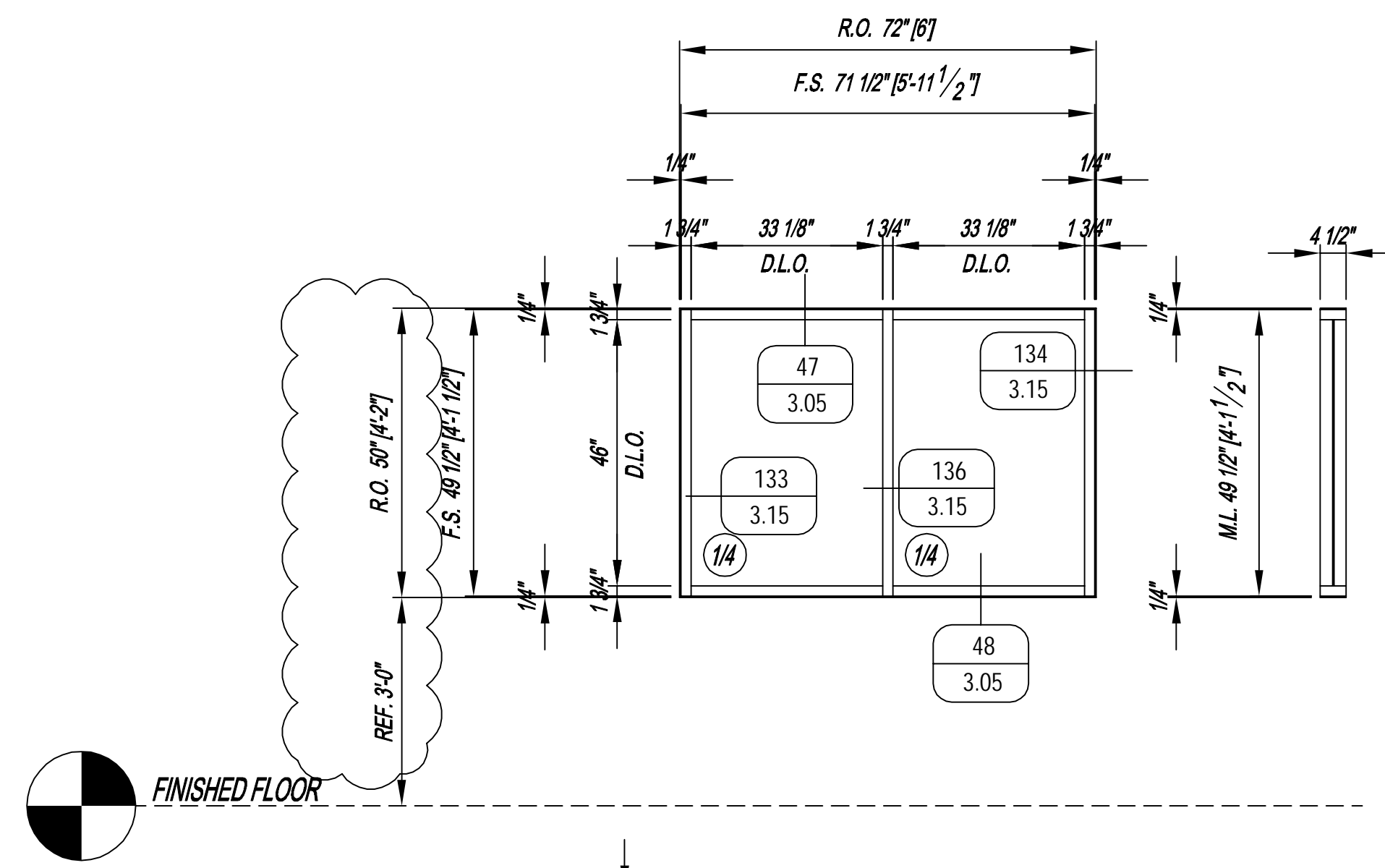
SCALE: 1/2" = 1'-0"
 OLD CASTLES BE FG-2000 - 1 3/4" X 4 1/2"
 INTERIOR STOREFRONT
 1/4" TEMPERED GLASS (CENTER SET)
 QUANTITY: 1



ELEVATION BB

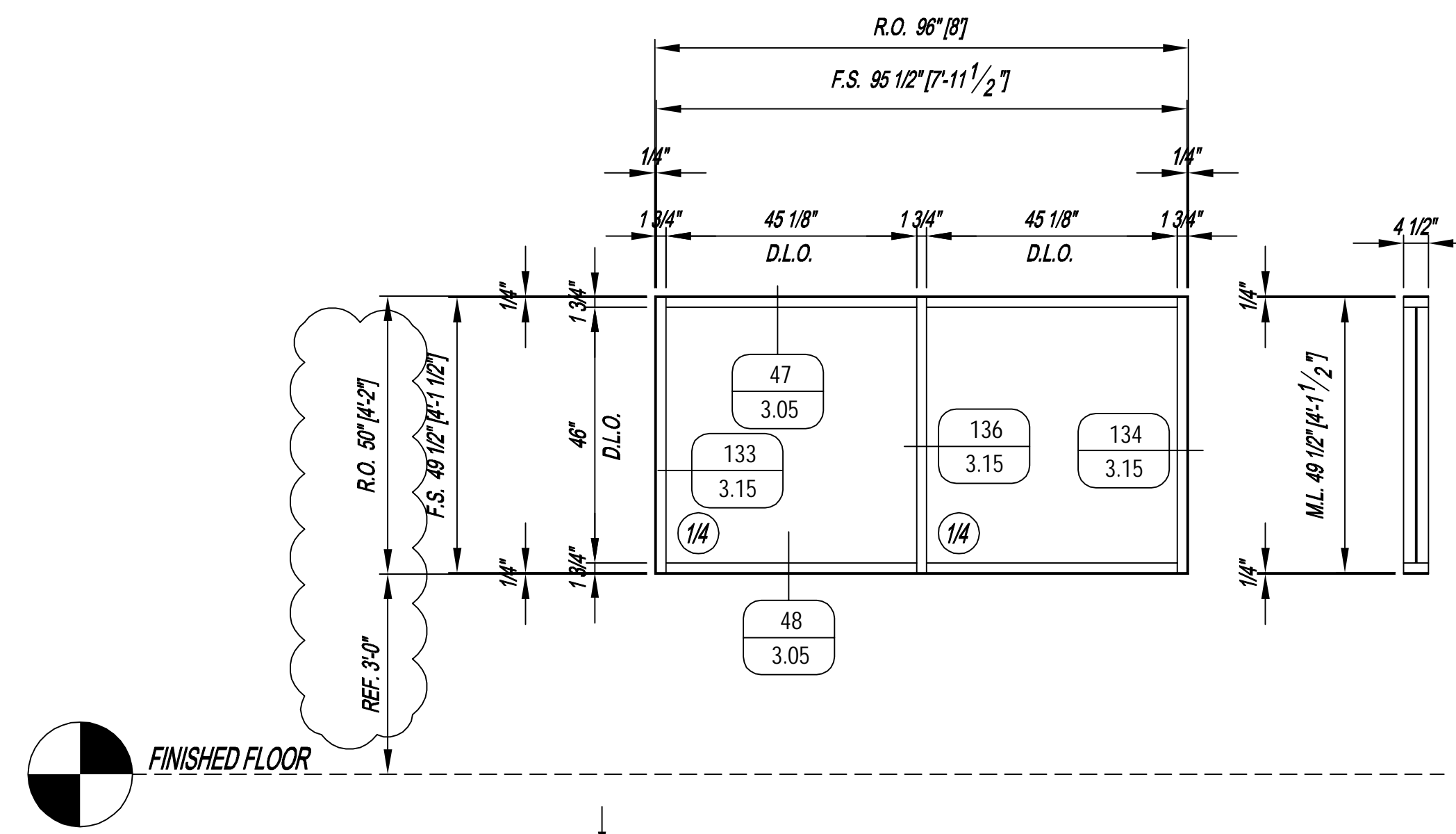
SCALE: 1/2" = 1'-0"
 OLD CASTLES BE FG-2000 - 1 3/4" X 4 1/2"
 INTERIOR STOREFRONT
 1/4" TEMPERED GLASS (CENTER SET)
 QUANTITY: 3

ERECTOR / G.C. NOTE:
 PLEASE FIELD VERIFY ALL DIMENSIONS



ELEVATION CC

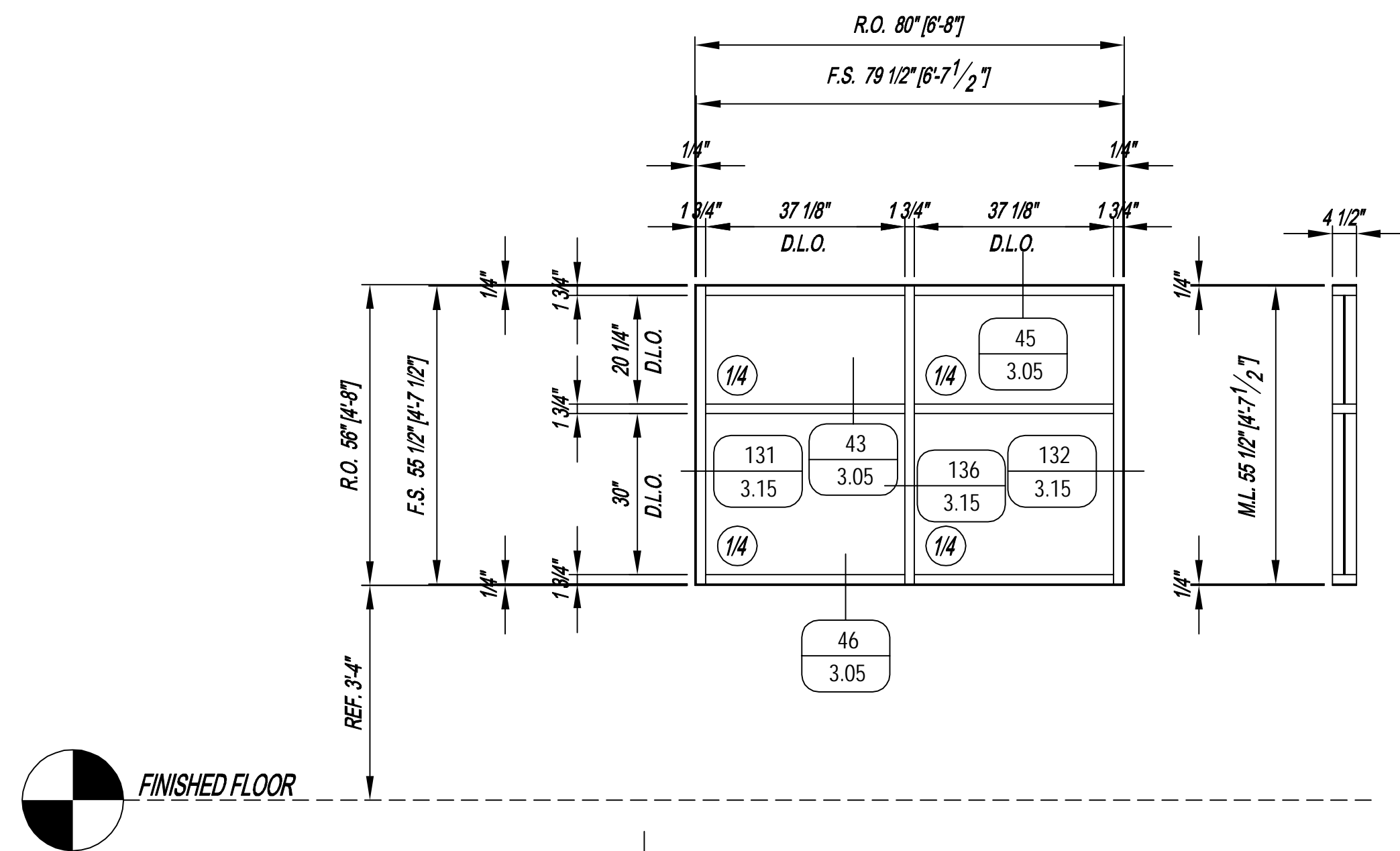
SCALE: 1/2" = 1'-0"
 OLD CASTLES BE FG-2000 - 1 3/4" X 4 1/2"
 INTERIOR STOREFRONT
 1/4" TEMPERED GLASS (CENTER SET)
 QUANTITY: 3



ELEVATION DD

SCALE: 1/2" = 1'-0"
 OLD CASTLES BE FG-2000 - 1 3/4" X 4 1/2"
 INTERIOR STOREFRONT
 1/4" TEMPERED GLASS (CENTER SET)
 QUANTITY: 1

PROJECT NAME AND ADDRESS		DRAWING SUBMISSION	
PROJECT NAME & ADDRESS		1ST. REVISION	10/30/11
		1ST. SUBMISSION	8/11/11
		NO	DATE
PROJECT NAME & ADDRESS		DRAWING SUBMISSION	
PROJECT NAME & ADDRESS		ARCHITECT	CUSTOMER
PROJECT NAME & ADDRESS		DATE	DATE
PROJECT NAME & ADDRESS		8/11/11	8/11/11
PROJECT NAME & ADDRESS		JOB NAME:	
PROJECT NAME & ADDRESS		PINE SHADOWS ELEMENTARY	
PROJECT NAME & ADDRESS		SHEET NO:	
PROJECT NAME & ADDRESS		2.46	

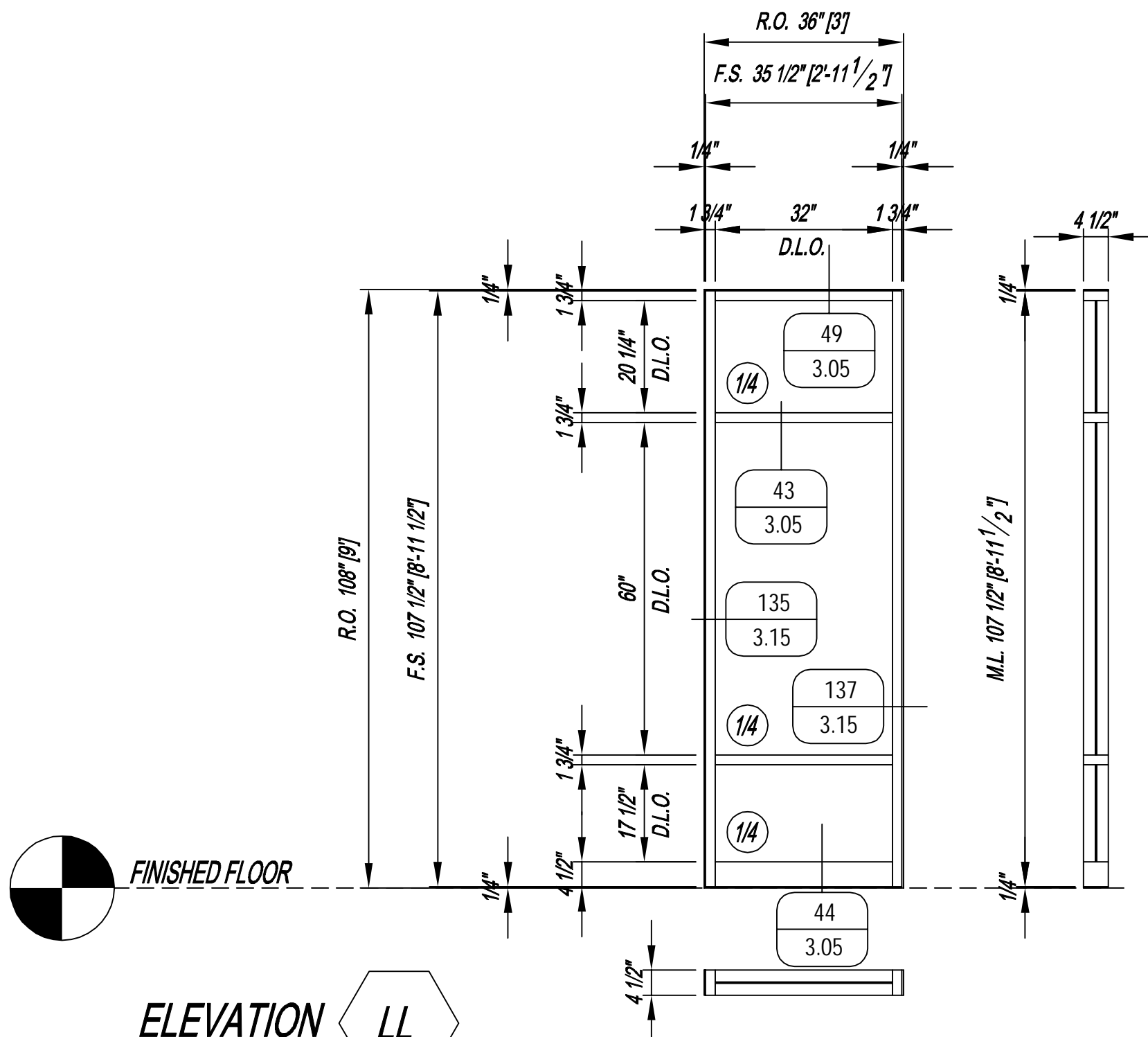


ELEVATION **HH**

SCALE: 1/2" = 1'-0"

OLD CASTLES BE FG-2000 - 1 3/4" X 4 1/2"
INTERIOR STOREFRONT

1/4" TEMPERED GLASS (CENTER SET)
QUANTITY: 4



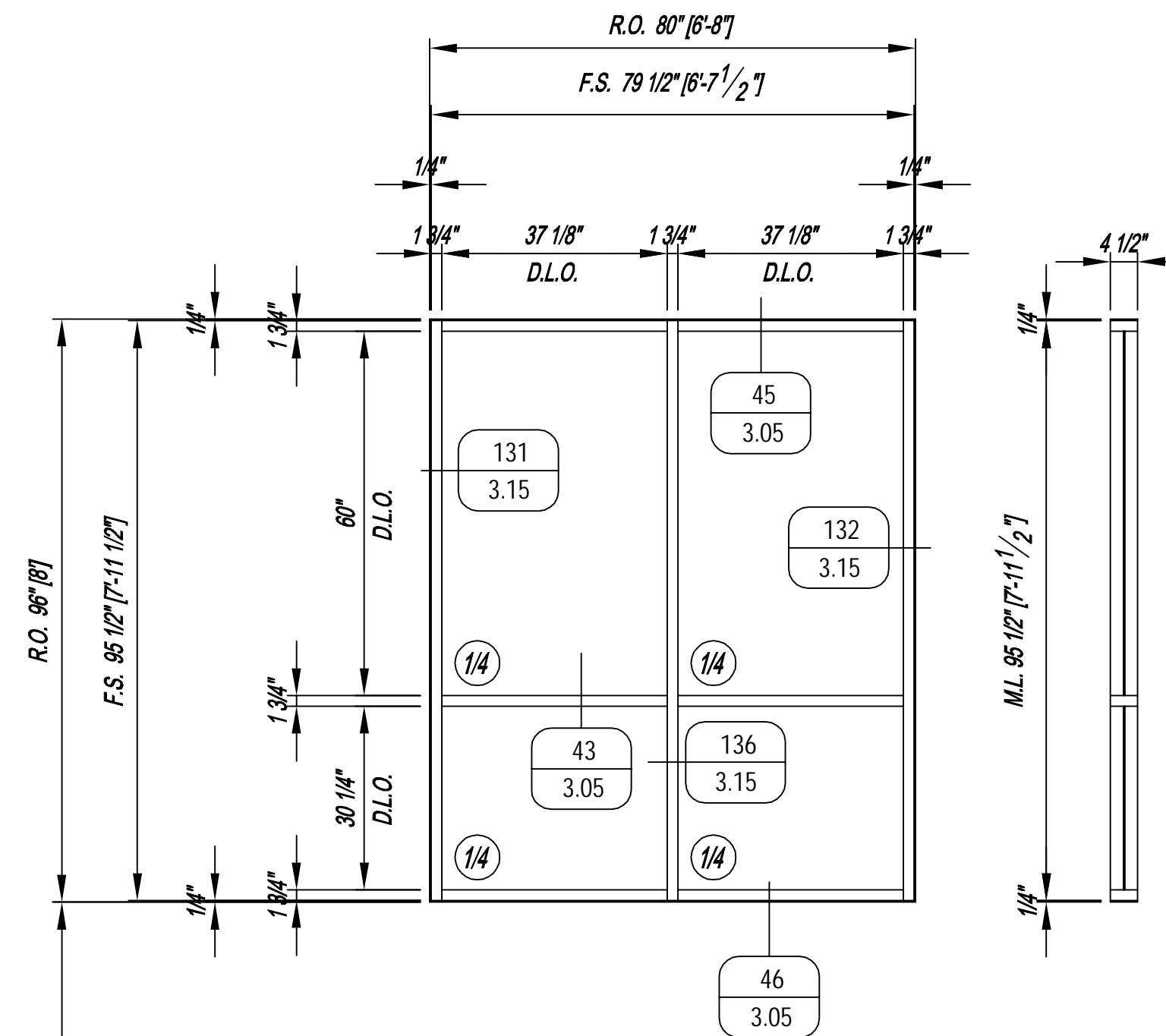
ELEVATION **LL**

SCALE: 1/2" = 1'-0"

OLD CASTLES BE FG-2000 - 1 3/4" X 4 1/2"
INTERIOR STOREFRONT

1/4" TEMPERED GLASS (CENTER SET)
QUANTITY: 1

ERECTOR / G.C. NOTE:
PLEASE FIELD VERIFY ALL DIMENSIONS



ELEVATION **MM**

SCALE: 1/2" = 1'-0"

OLD CASTLES BE FG-2000 - 1 3/4" X 4 1/2"
INTERIOR STOREFRONT

1/4" TEMPERED GLASS (CENTER SET)
QUANTITY: 4

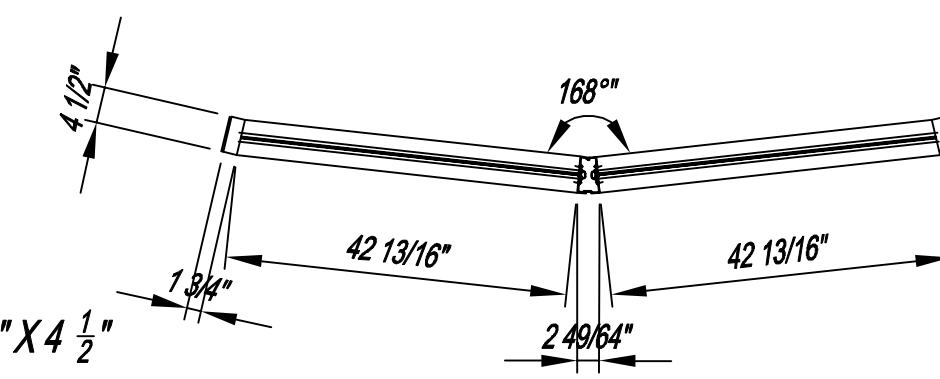
PROJECT:	PROJECT NAME & ADDRESS
ARCHITECT:	PROJECT NAME & ADDRESS
CUSTOMER:	PROJECT NAME & ADDRESS
DATE:	8/11/11
NO.	NO
DESCRIPTION	DESCRIPTION
DRAWING SUBMISSION	DRAWING SUBMISSION

PROJECT NAME AND ADDRESS

PROJECT:	PROJECT NAME & ADDRESS
ARCHITECT:	PROJECT NAME & ADDRESS
CUSTOMER:	PROJECT NAME & ADDRESS
DATE:	8/11/11
CHECKED BY:	CCW
DATE:	8/11/11
JOB NAME:	PINE SHADOWS ELEMENTARY
SHEET NO.:	2.47



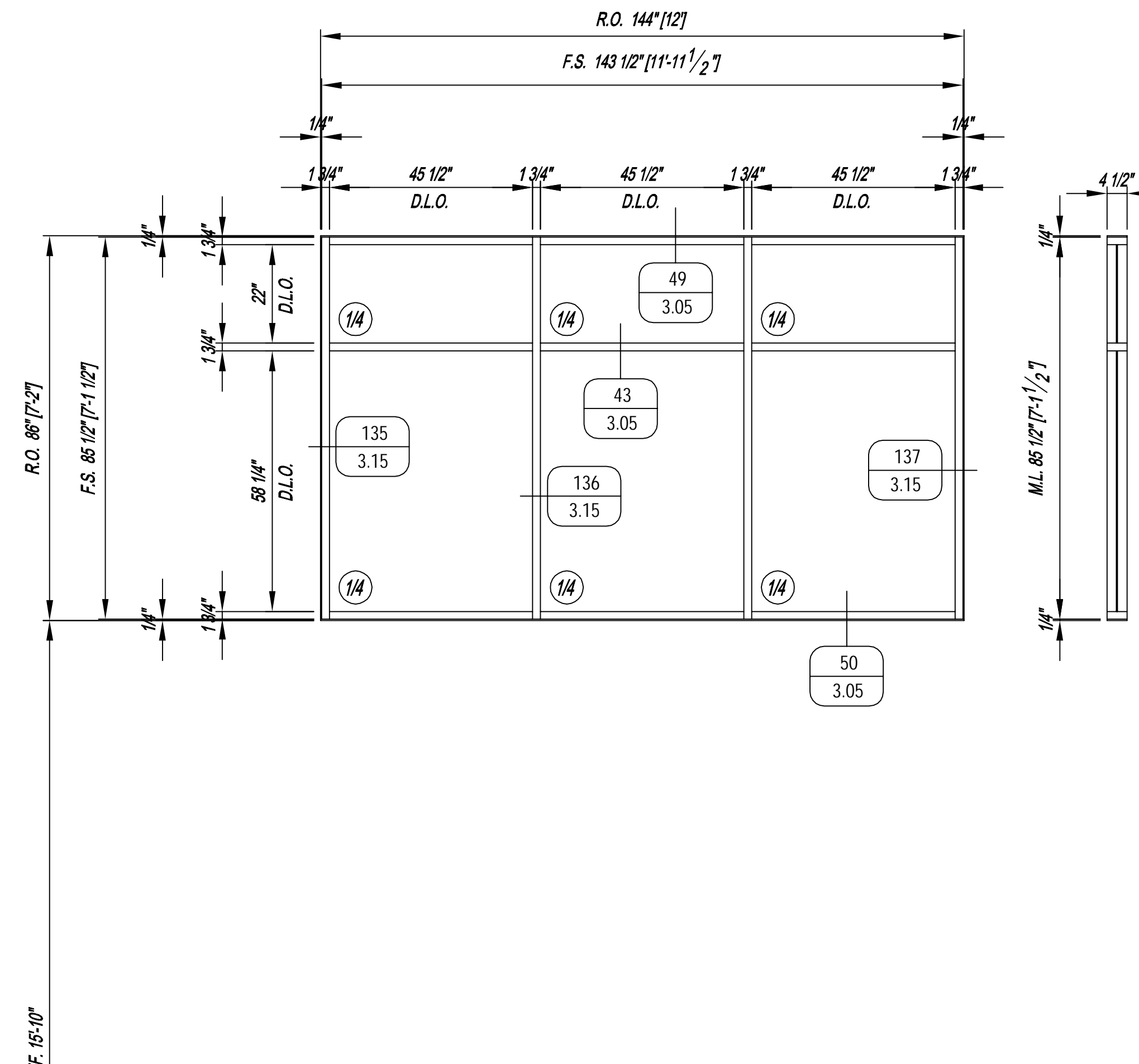
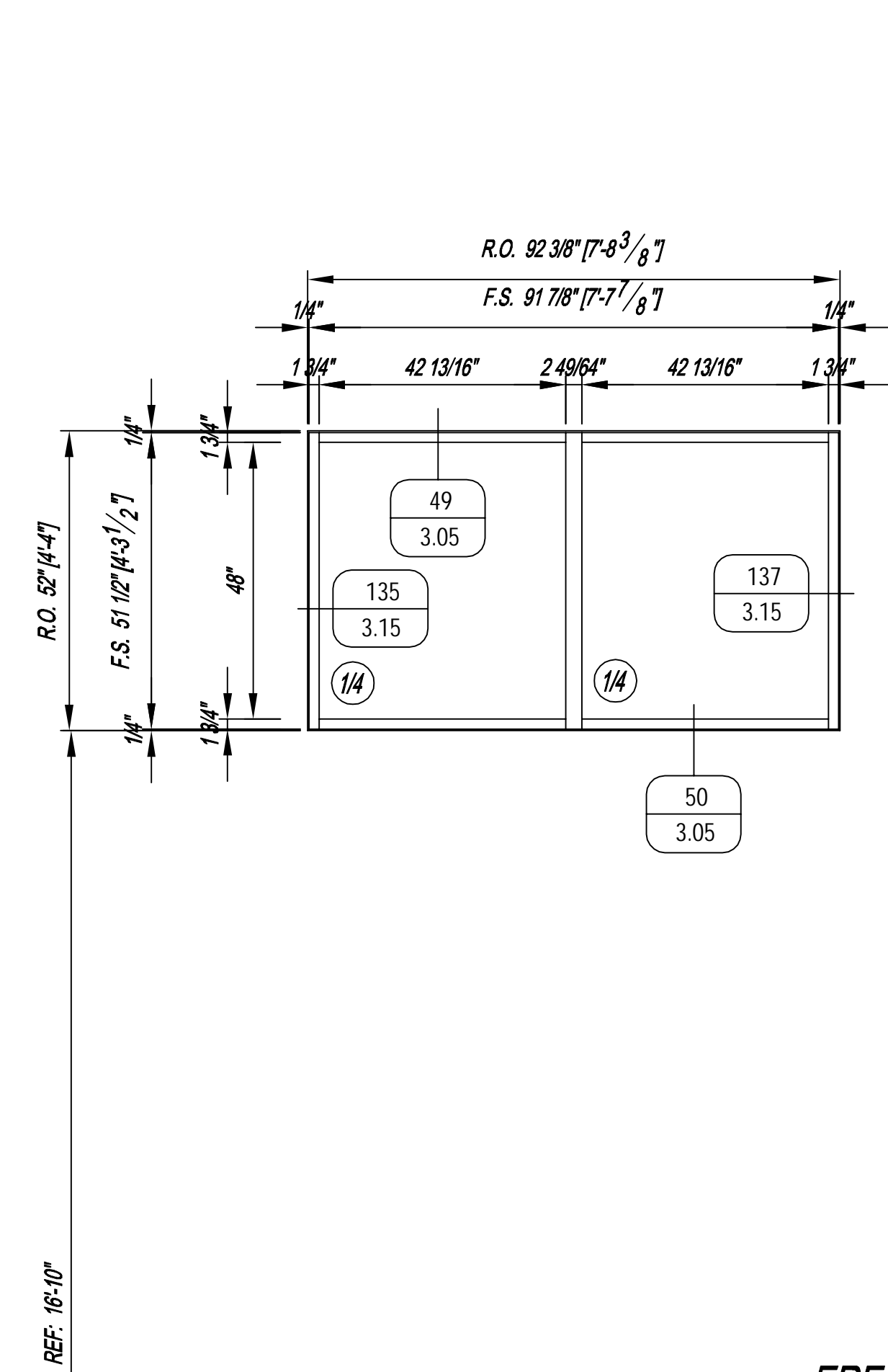
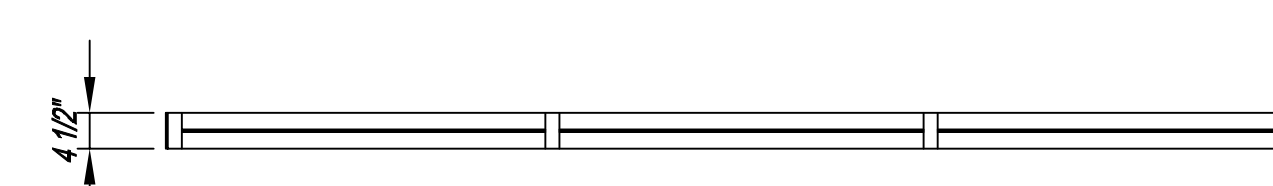
ELEVATION NN
 SCALE: $\frac{1}{2}'' = 1'-0''$
 OLD CASTLES BE FG-2000 - $1 \frac{3}{4}'' \times 4 \frac{1}{2}''$
 INTERIOR STOREFRONT
 $\frac{1}{4}''$ TEMPERED GLASS (CENTER SET)
 QUANTITY: 7



ERECTOR / G.C. NOTE:
 PLEASE FIELD VERIFY ALL DIMENSIONS

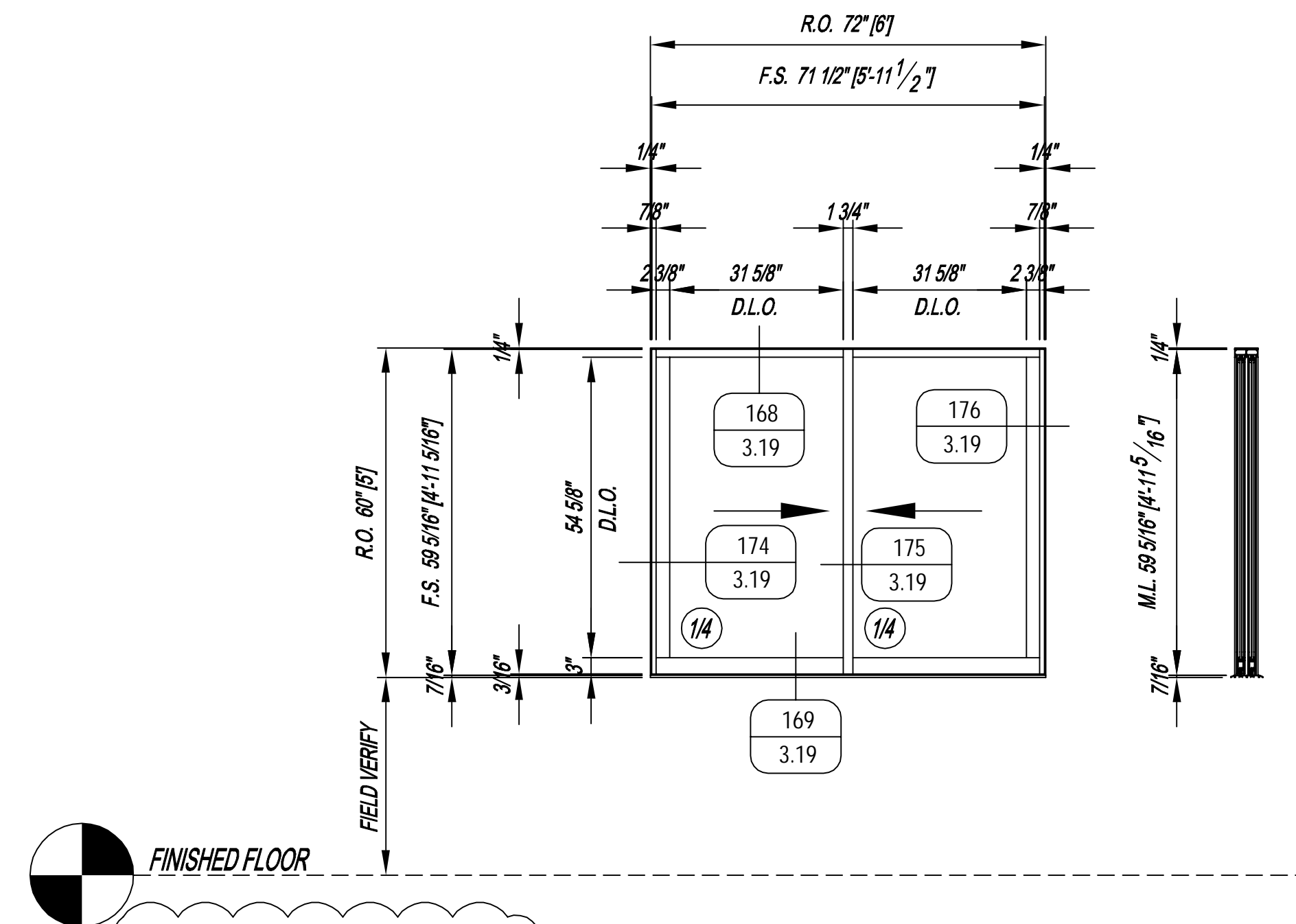


ELEVATION QQ
 SCALE: $\frac{1}{2}'' = 1'-0''$
 OLD CASTLES BE FG-2000 - $1 \frac{3}{4}'' \times 4 \frac{1}{2}''$
 INTERIOR STOREFRONT
 $\frac{1}{4}''$ TEMPERED GLASS (CENTER SET)
 QUANTITY: 3

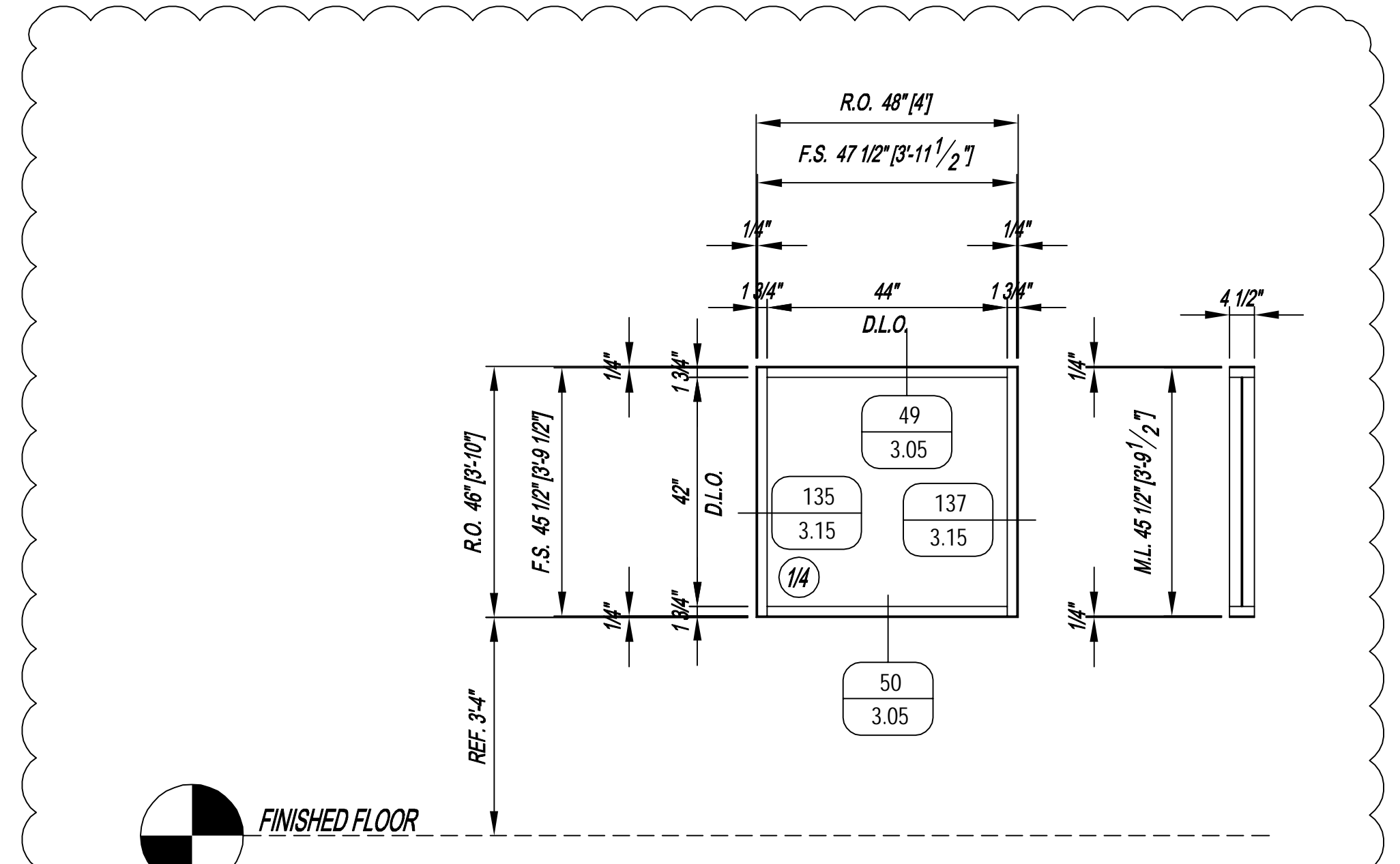


NO	DESCRIPTION	DATE
10/30/11	1ST. REVISION	8/11/11
	1ST. SUBMISSION	
	DRAWING SUBMISSION	

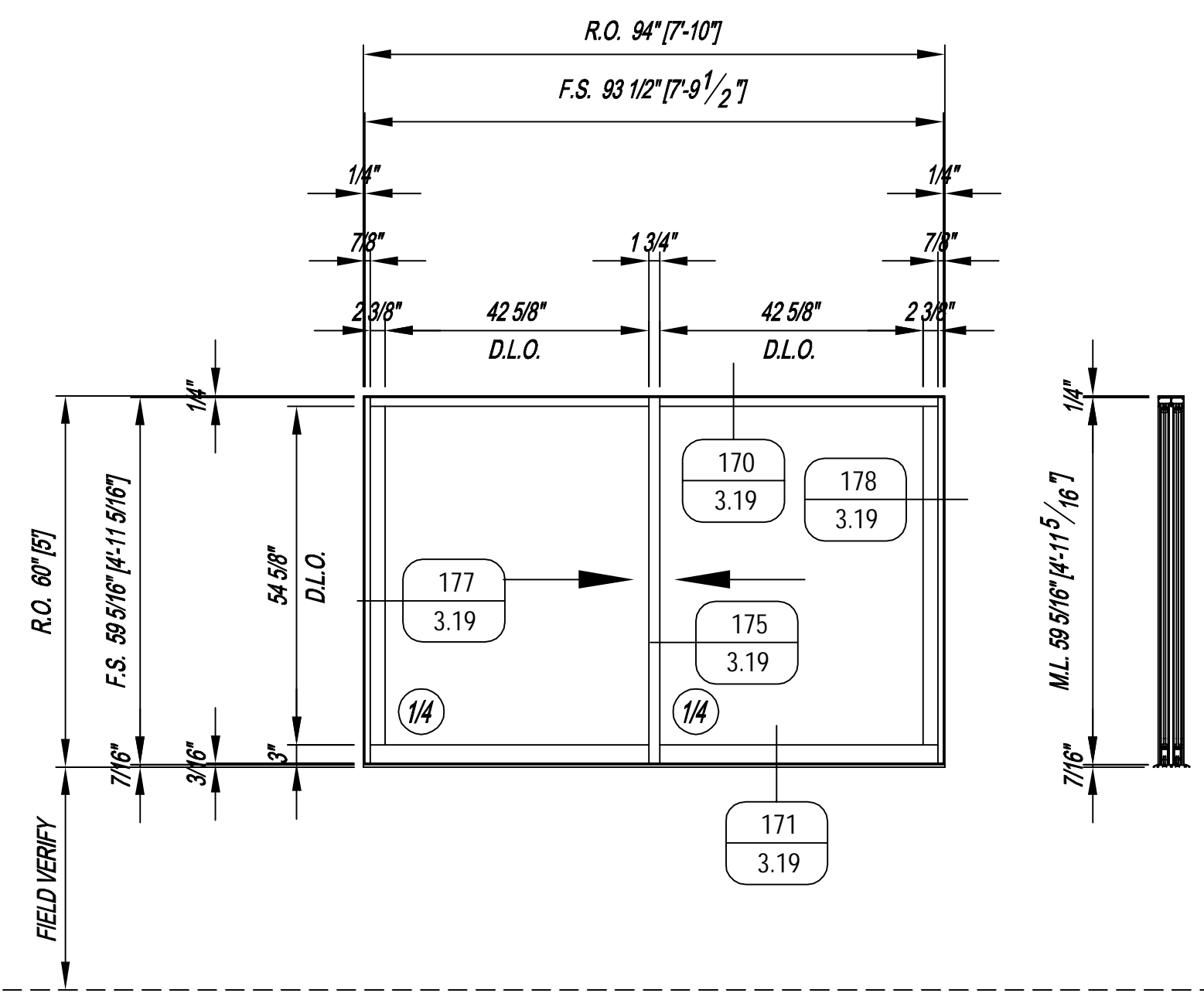
PROJECT: PROJECT NAME & ADDRESS		ARCHITECT:	
		CUSTOMER:	
DRAWN BY: GL		DATE: 8/11/11	
CHECKED BY: CCW		DATE: 8/11/11	
JOB NAME: PINE SHADOWS ELEMENTARY			
SHEET NO.: 2.48			



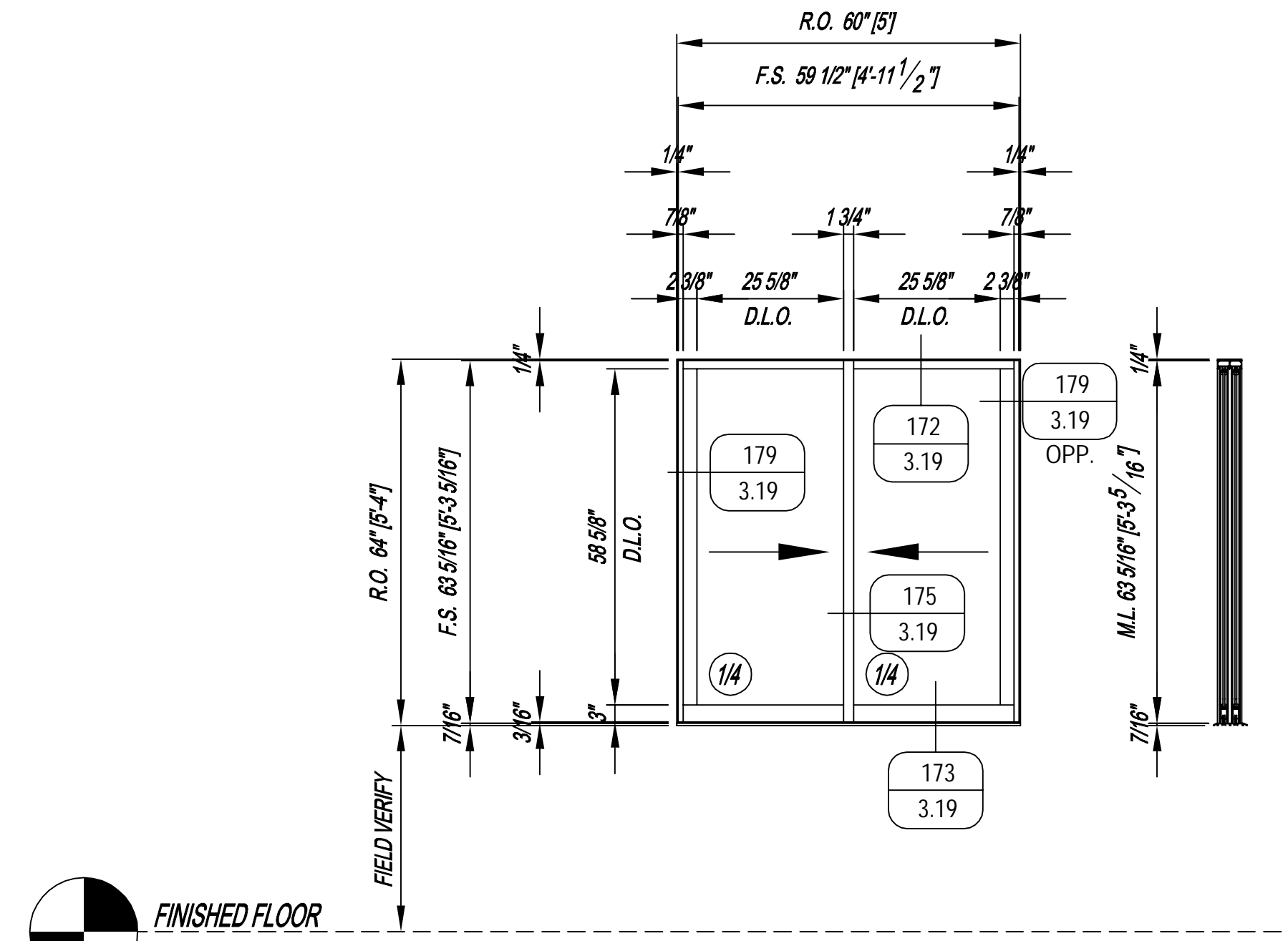
ELEVATION SG1
 SCALE: 1/2" = 1'-0"
 METAL CRAFT SERVICE SLIDERS
 1/4" TEMPERED GLASS
 QUANTITY: 1



ELEVATION EE
 SCALE: 1/2" = 1'-0"
 OLD CASTLES BE FG-2000 - 1 3/4" X 4 1/2"
 INTERIOR STOREFRONT
 1/4" TEMPERED GLASS (CENTER SET)
 QUANTITY: 1



ELEVATION SG2
 SCALE: 1/2" = 1'-0"
 METAL CRAFT SERVICE SLIDERS
 1/4" TEMPERED GLASS
 QUANTITY: 1



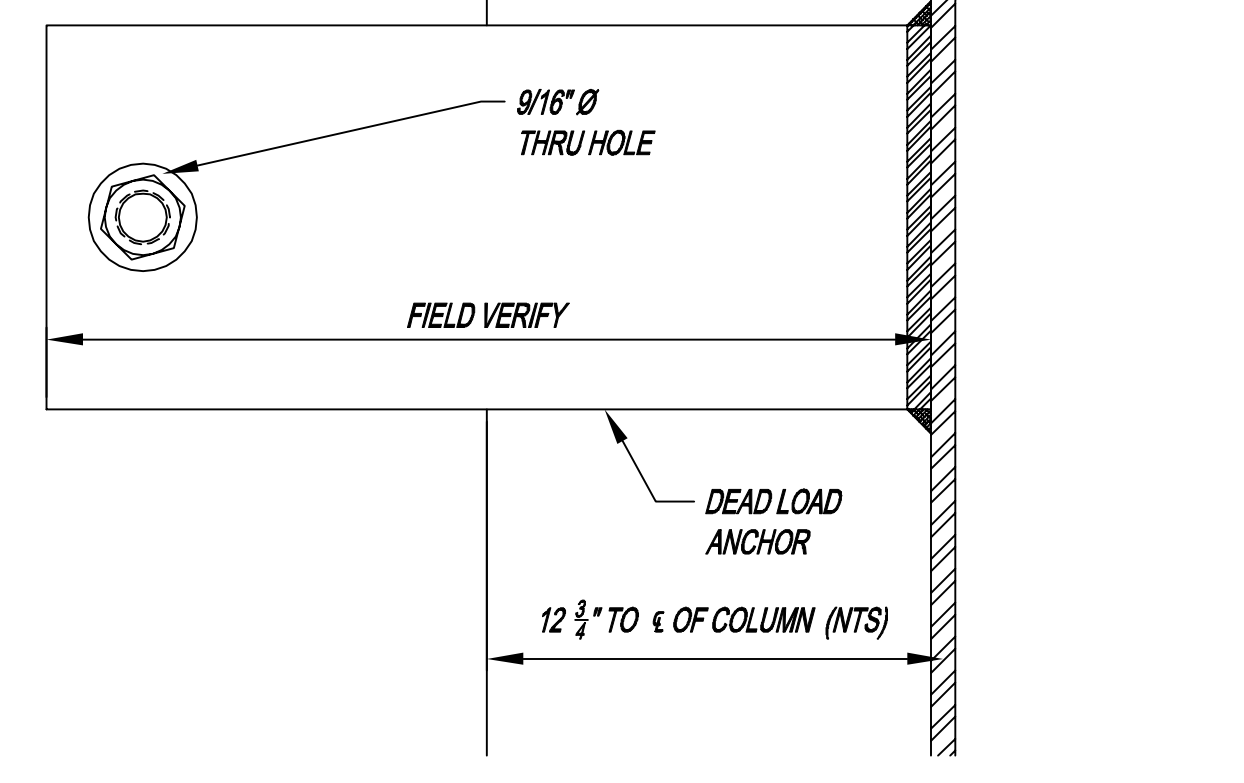
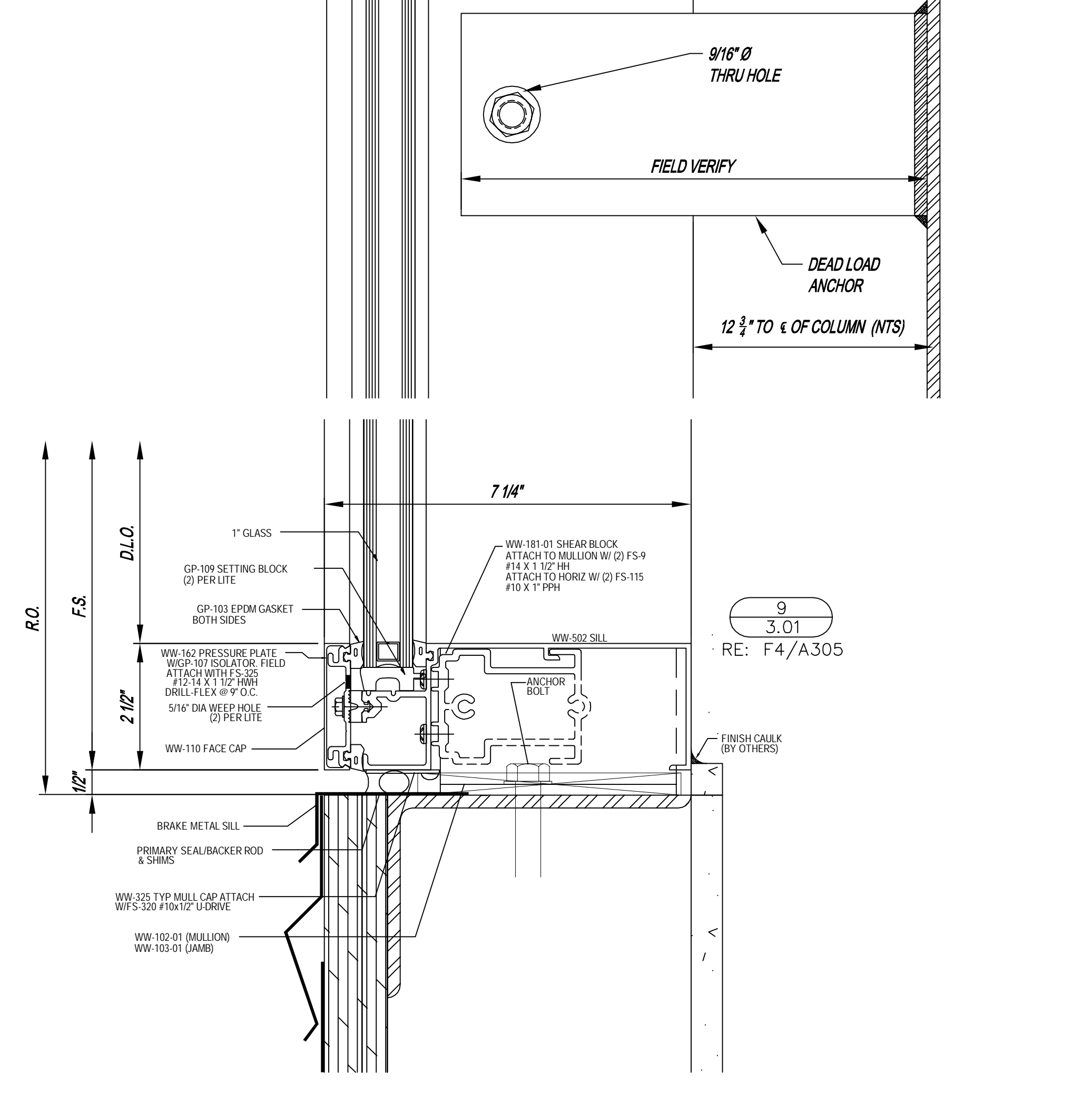
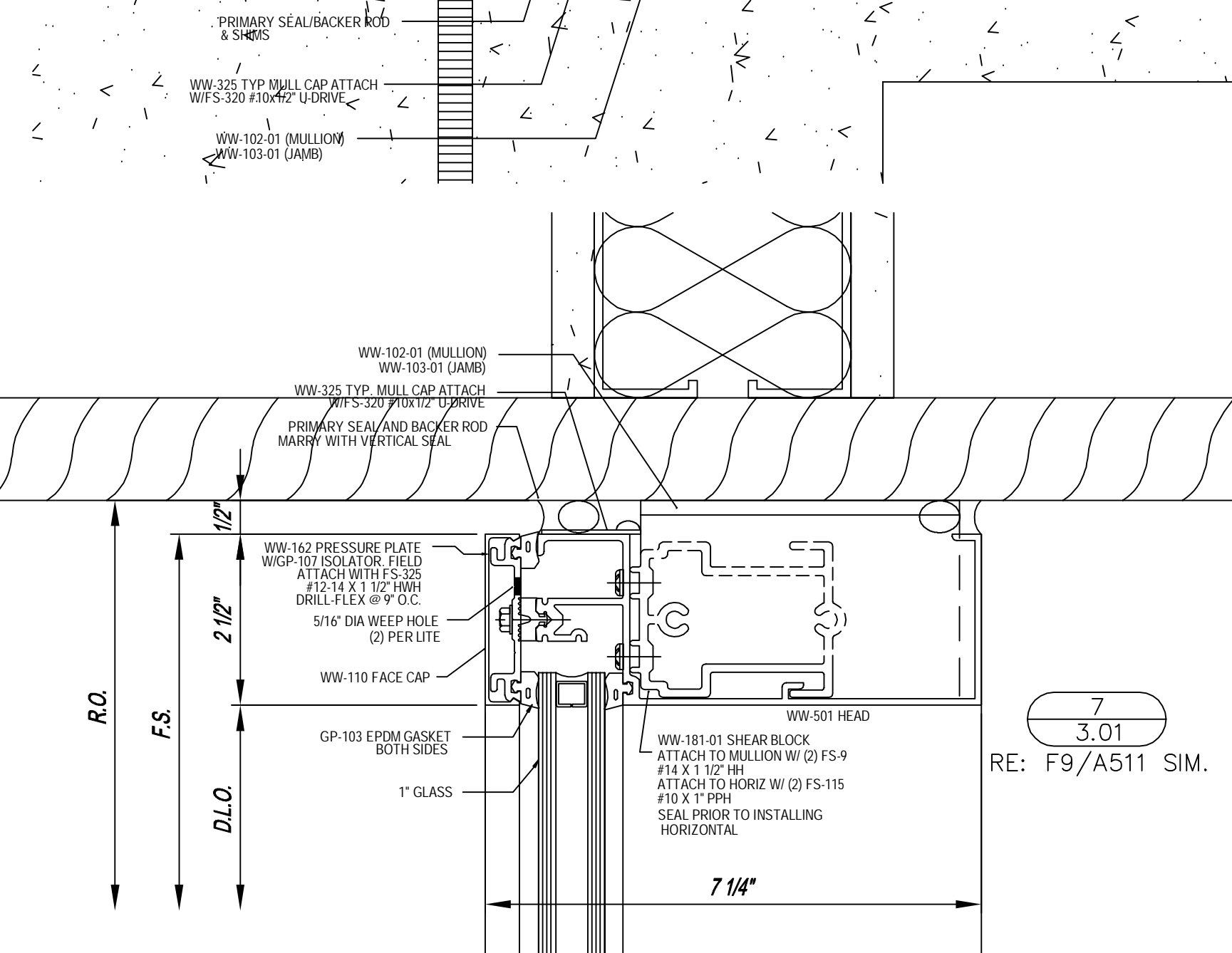
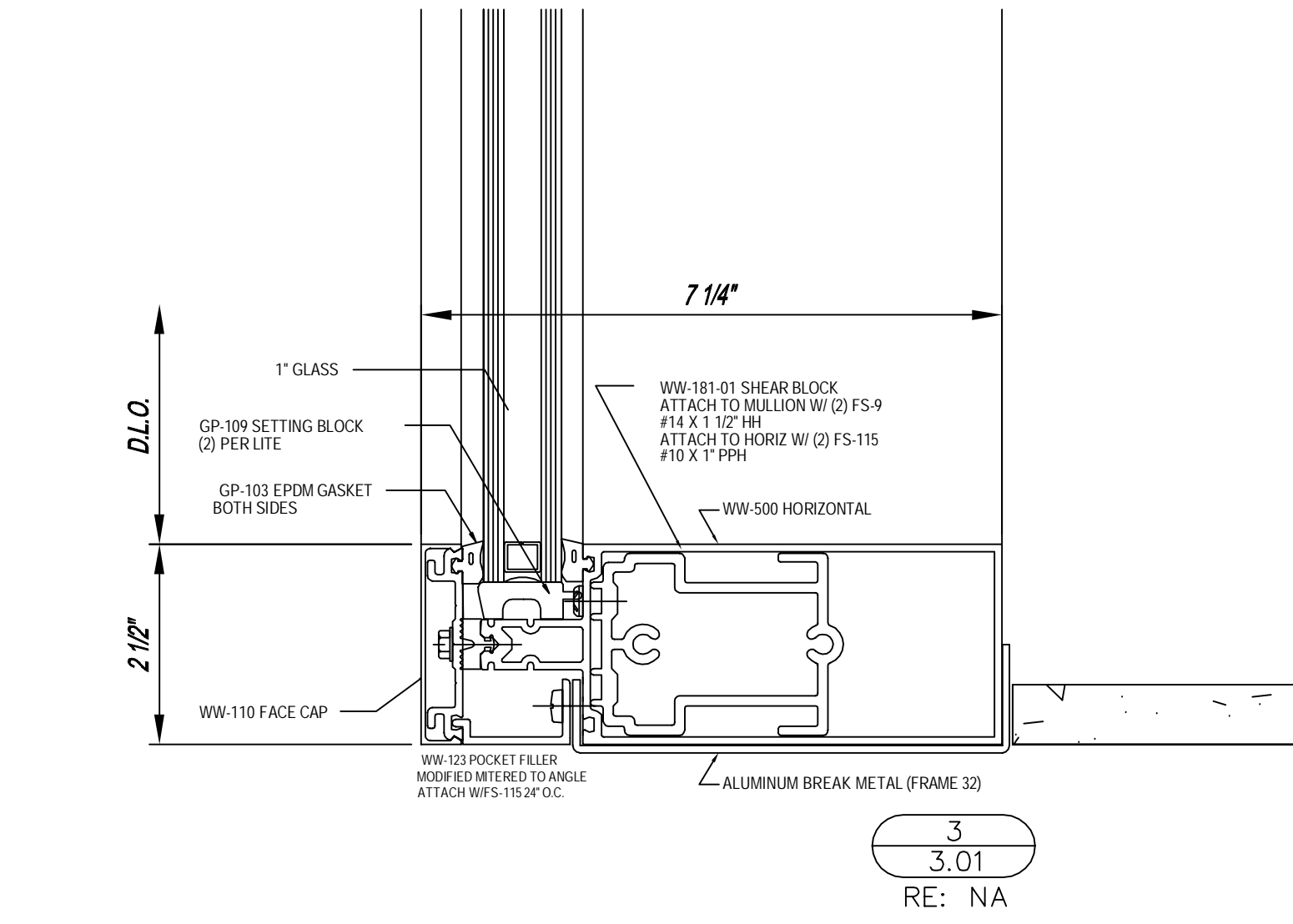
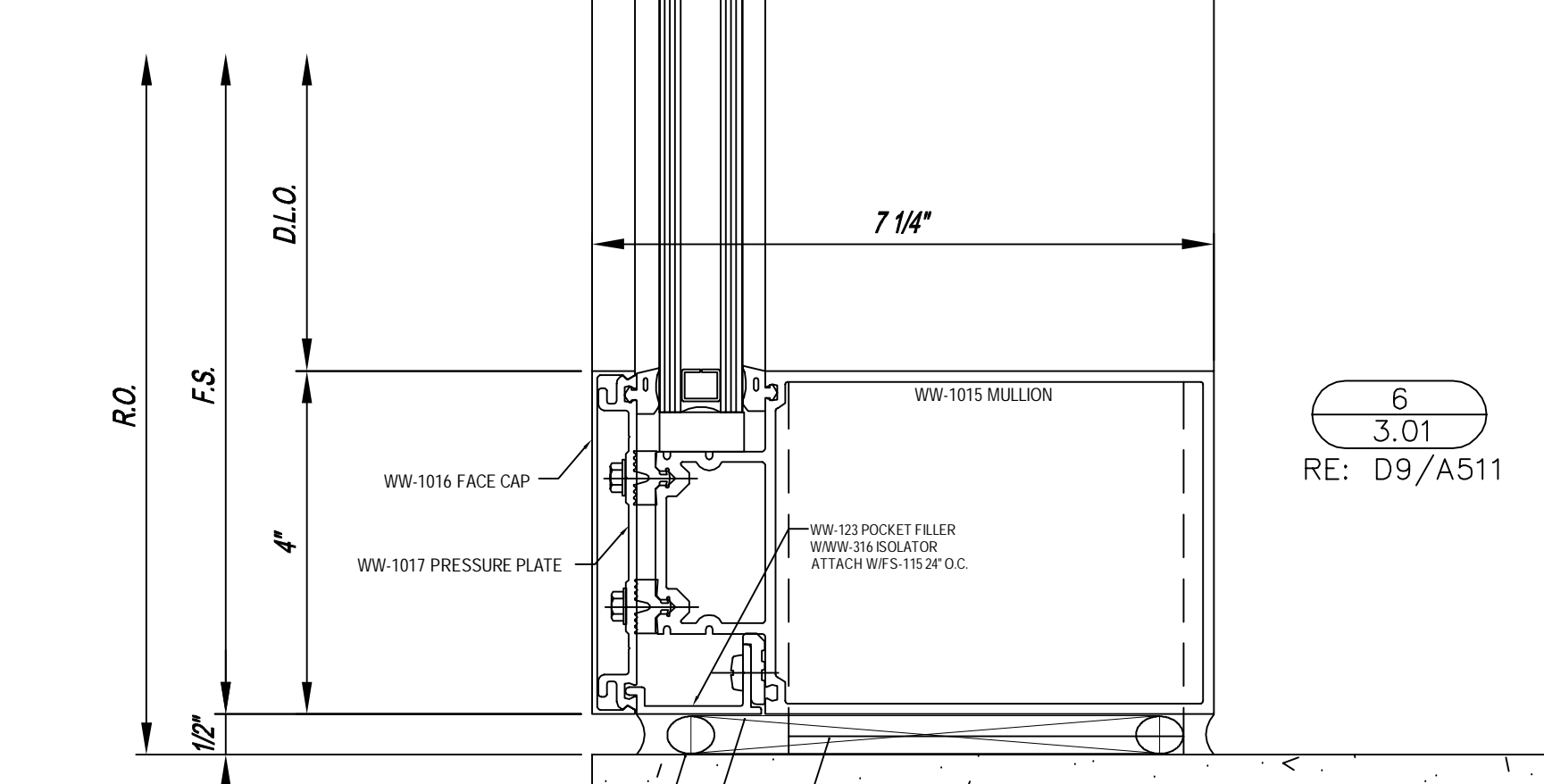
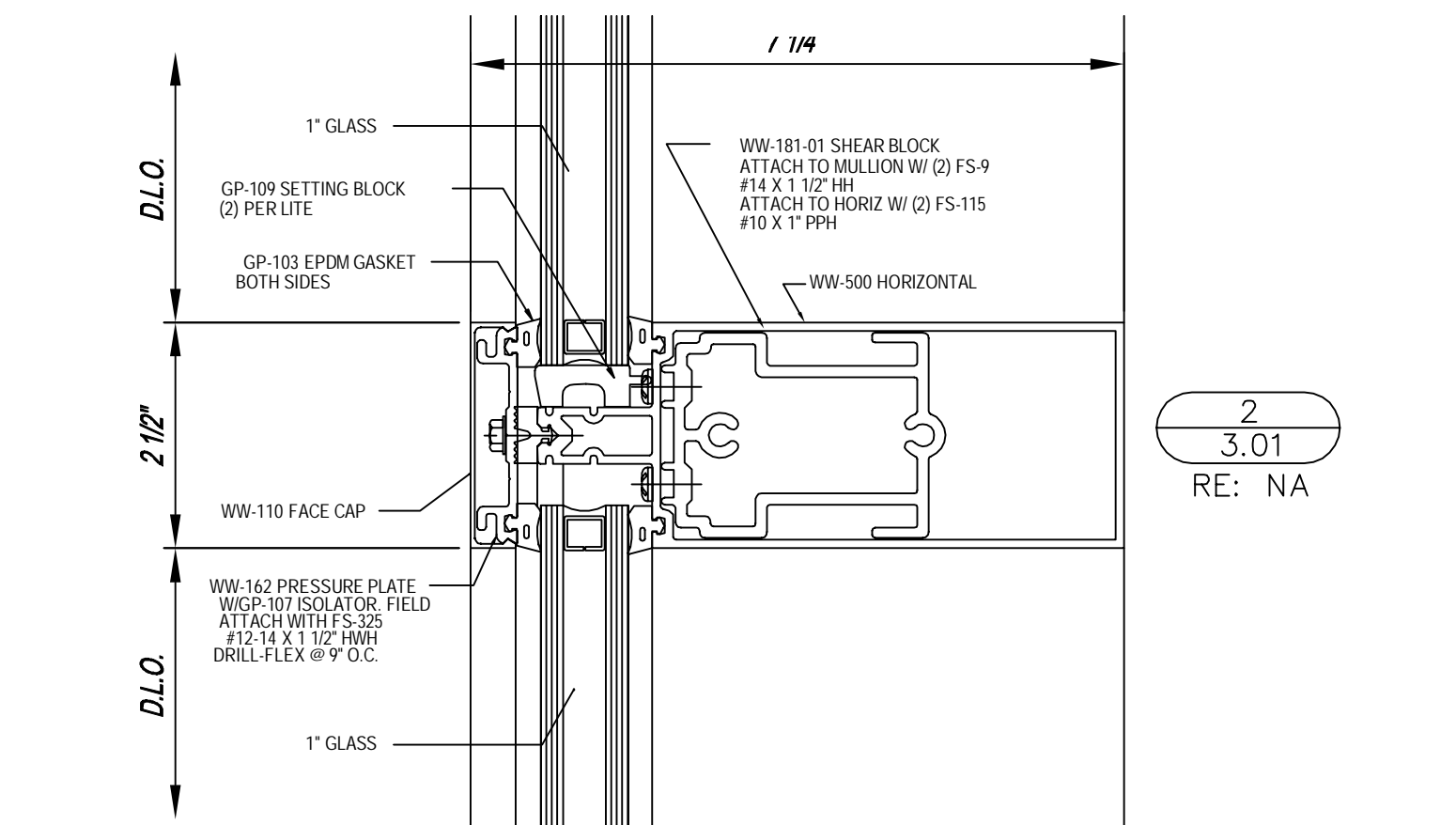
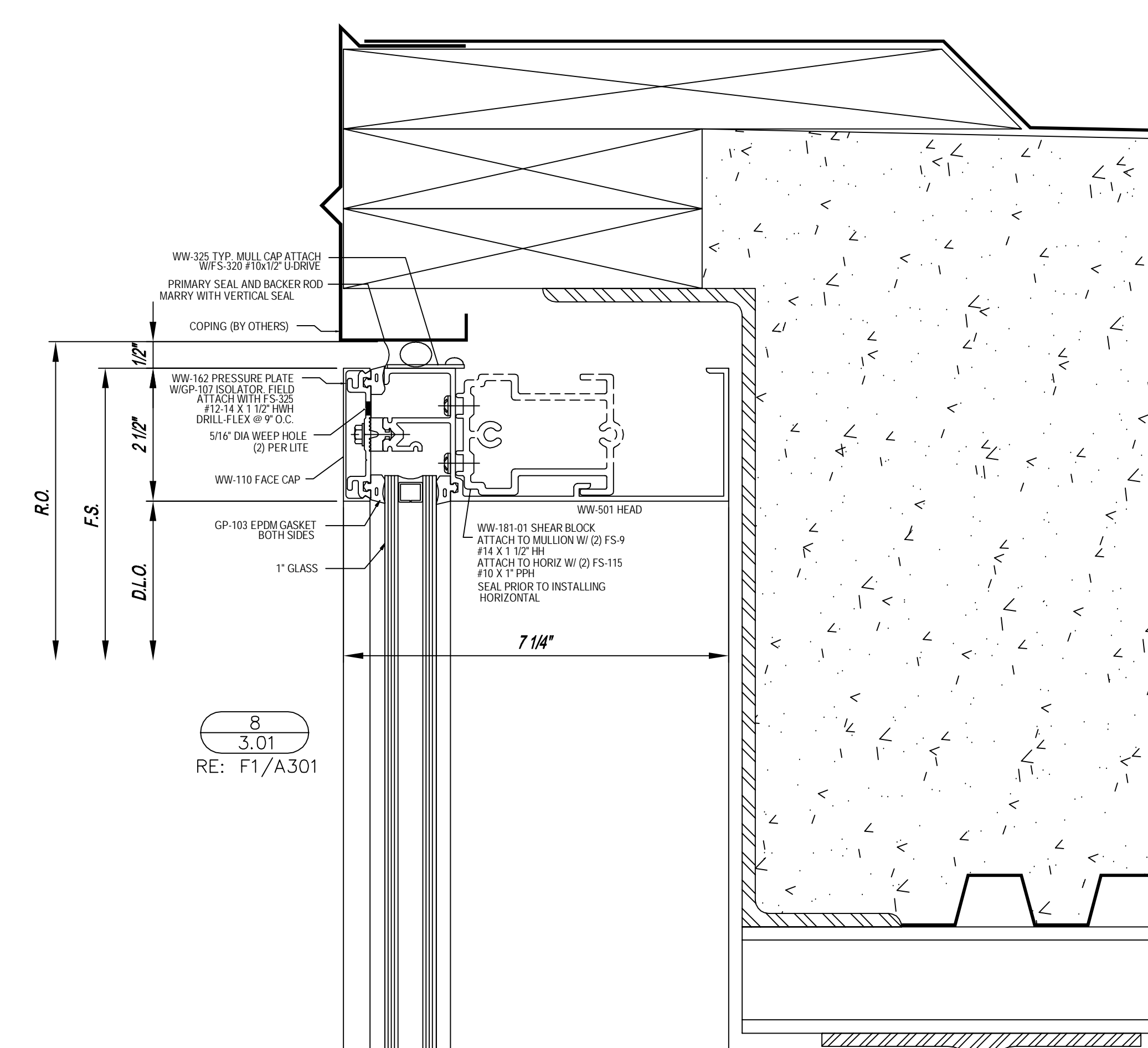
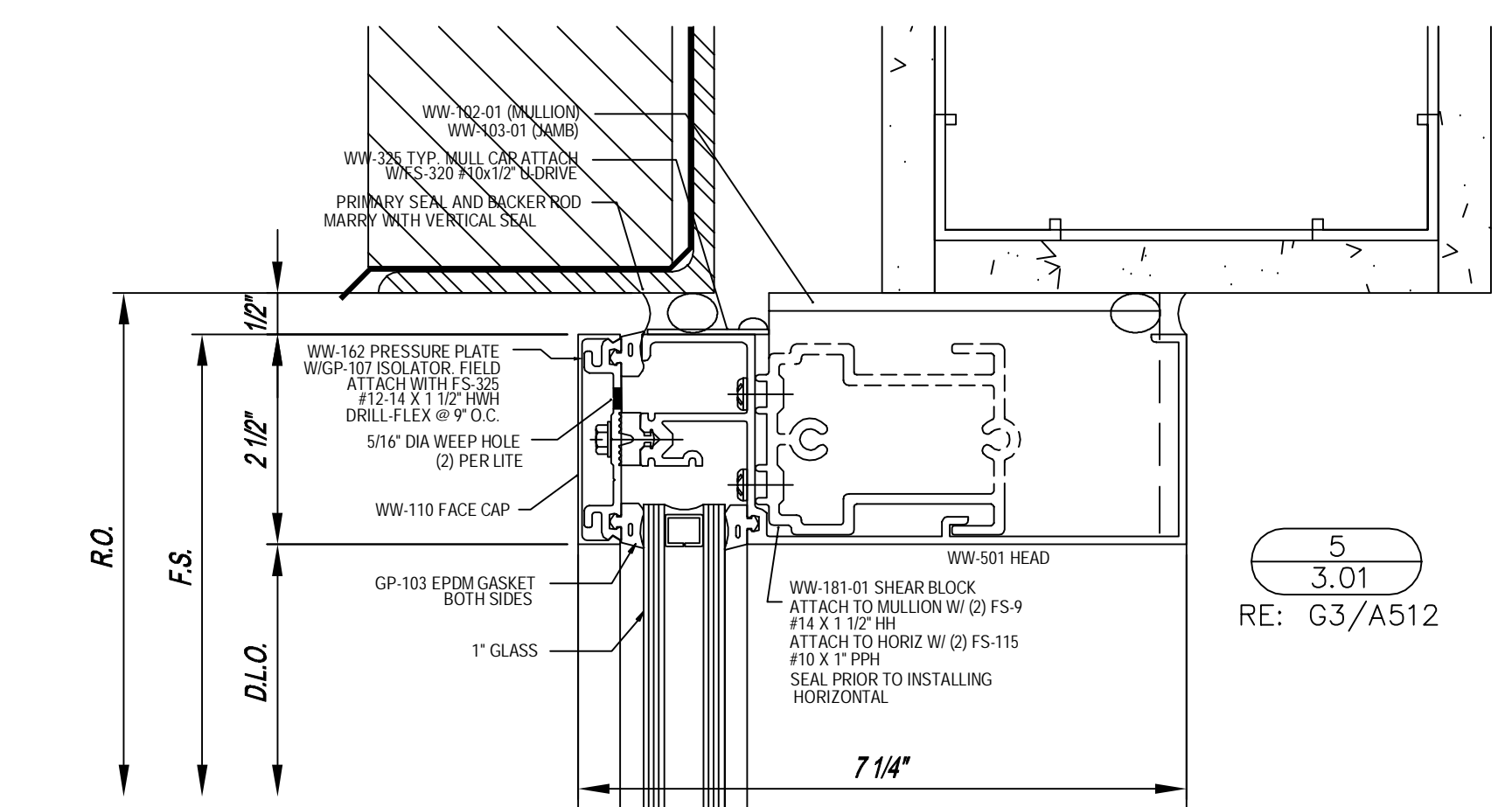
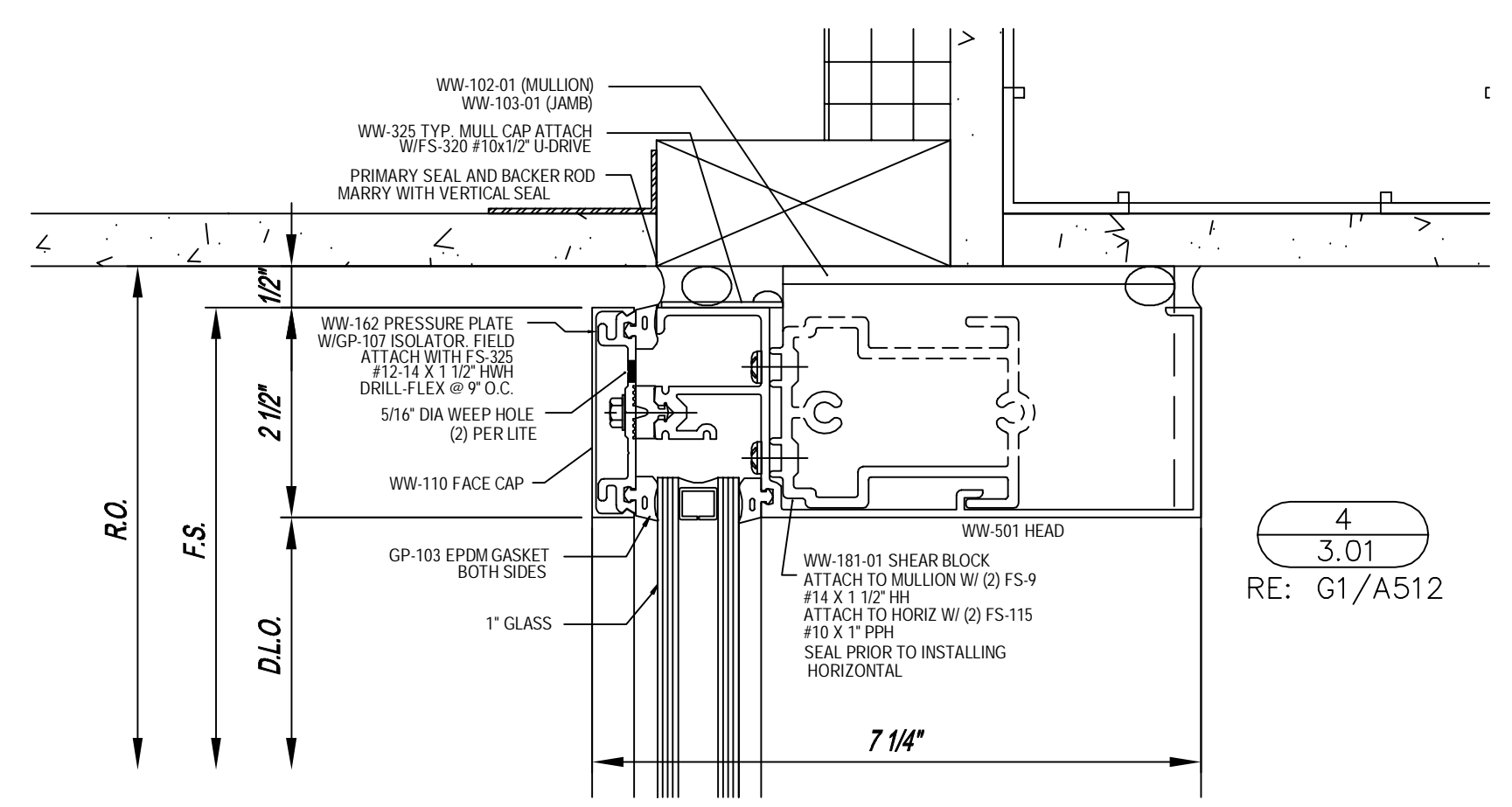
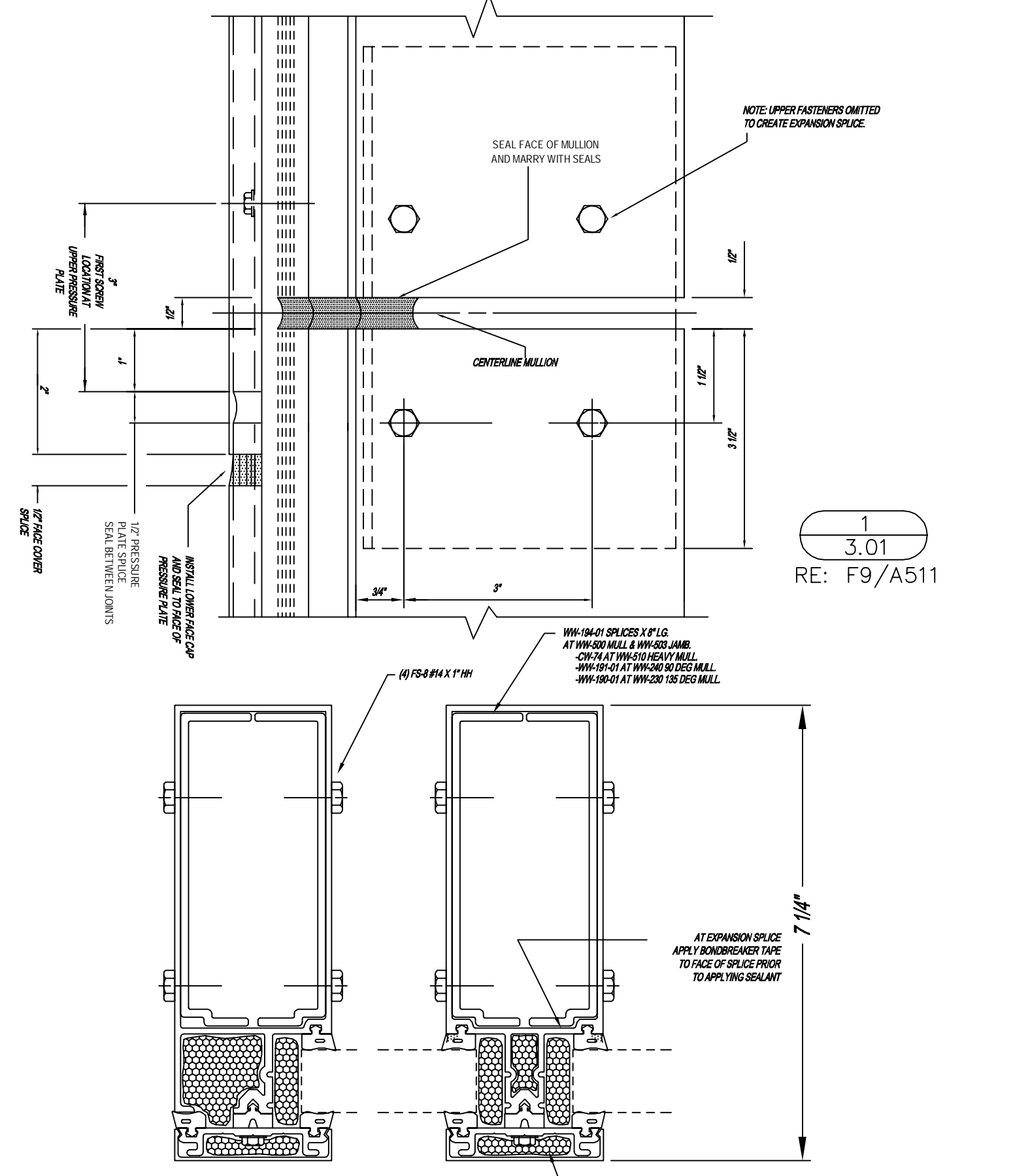
ELEVATION SG3
 SCALE: 1/2" = 1'-0"
 METAL CRAFT SERVICE SLIDERS
 1/4" TEMPERED GLASS
 QUANTITY: 1

PROJECT NAME AND ADDRESS

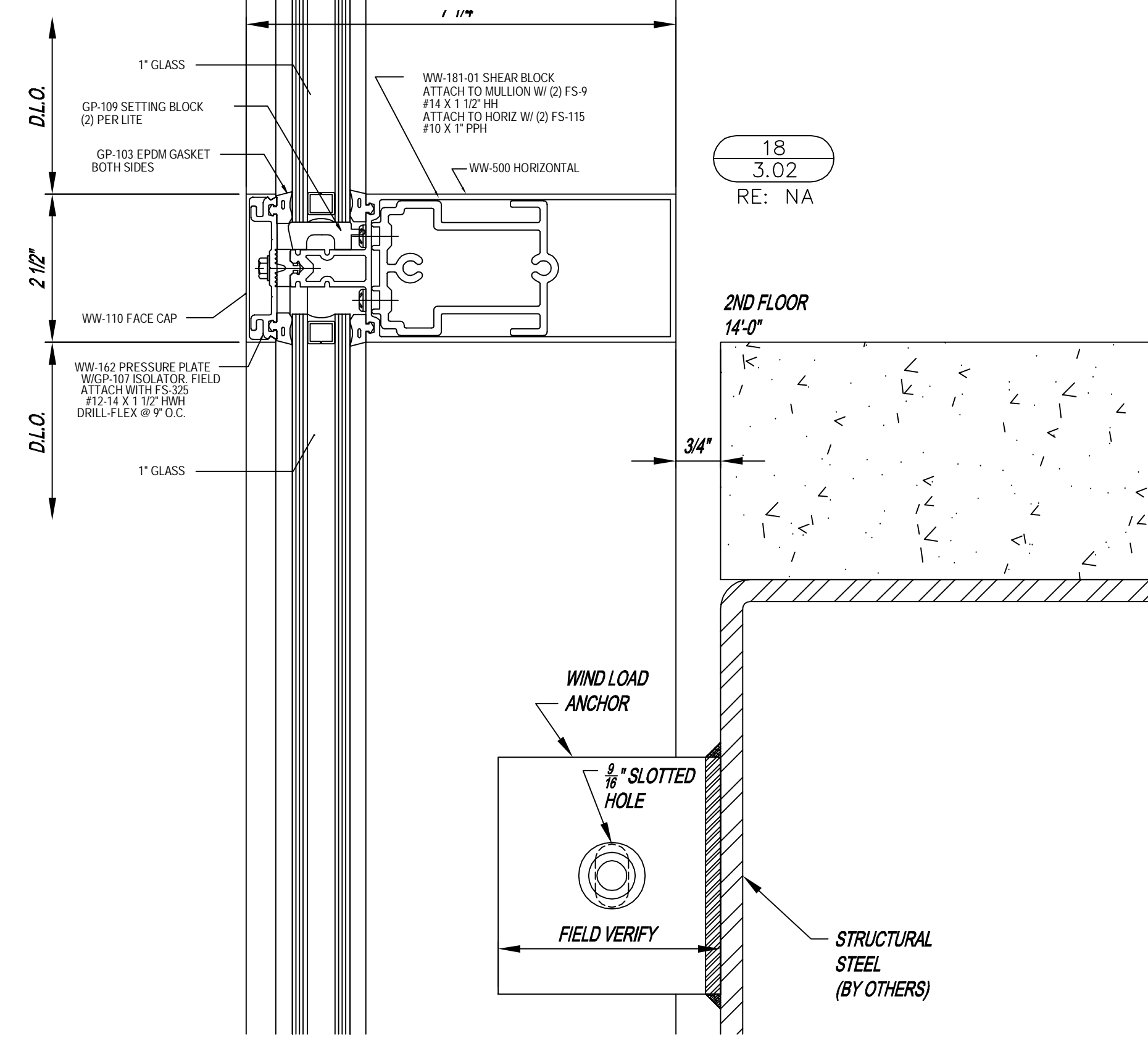
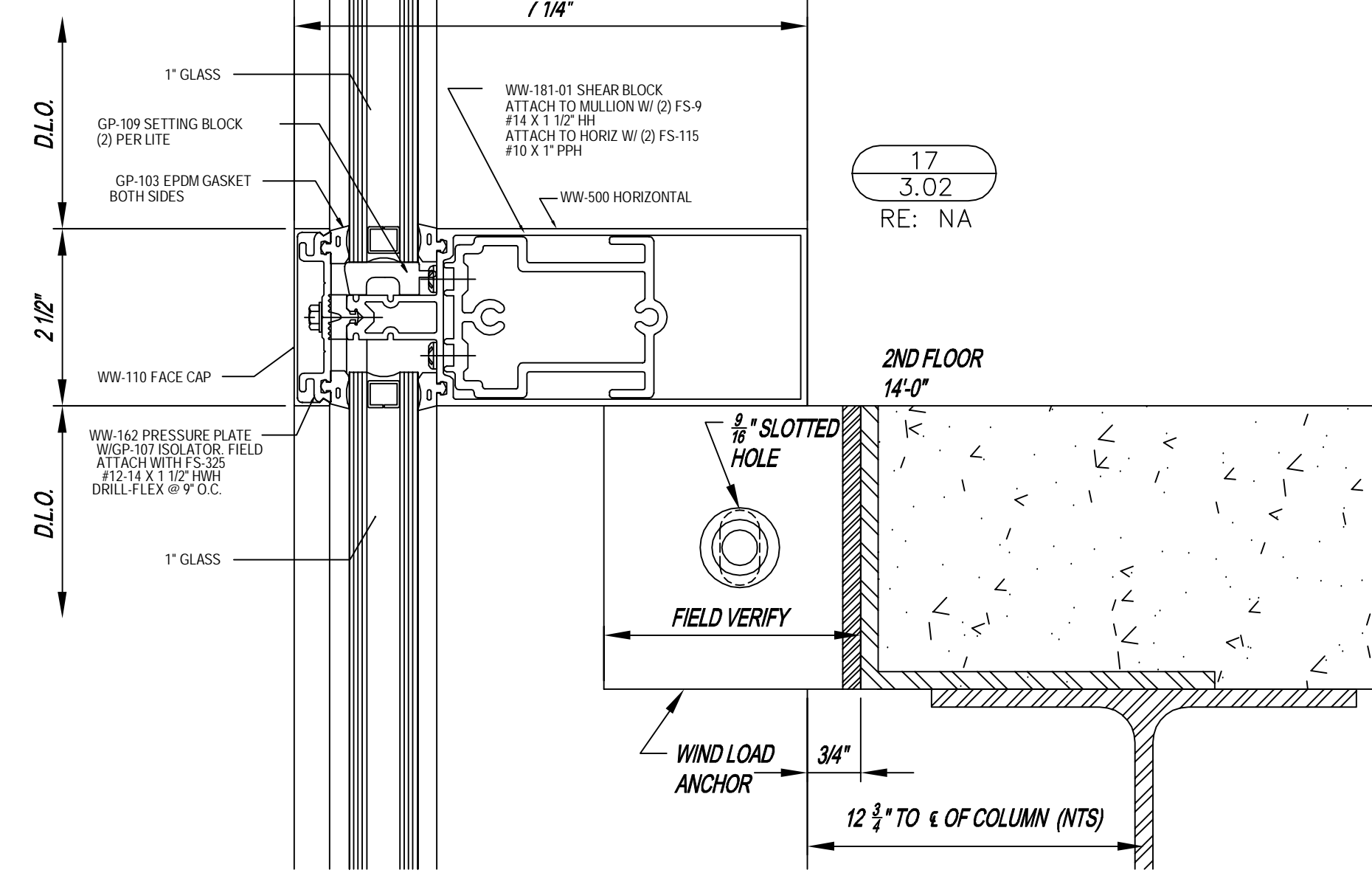
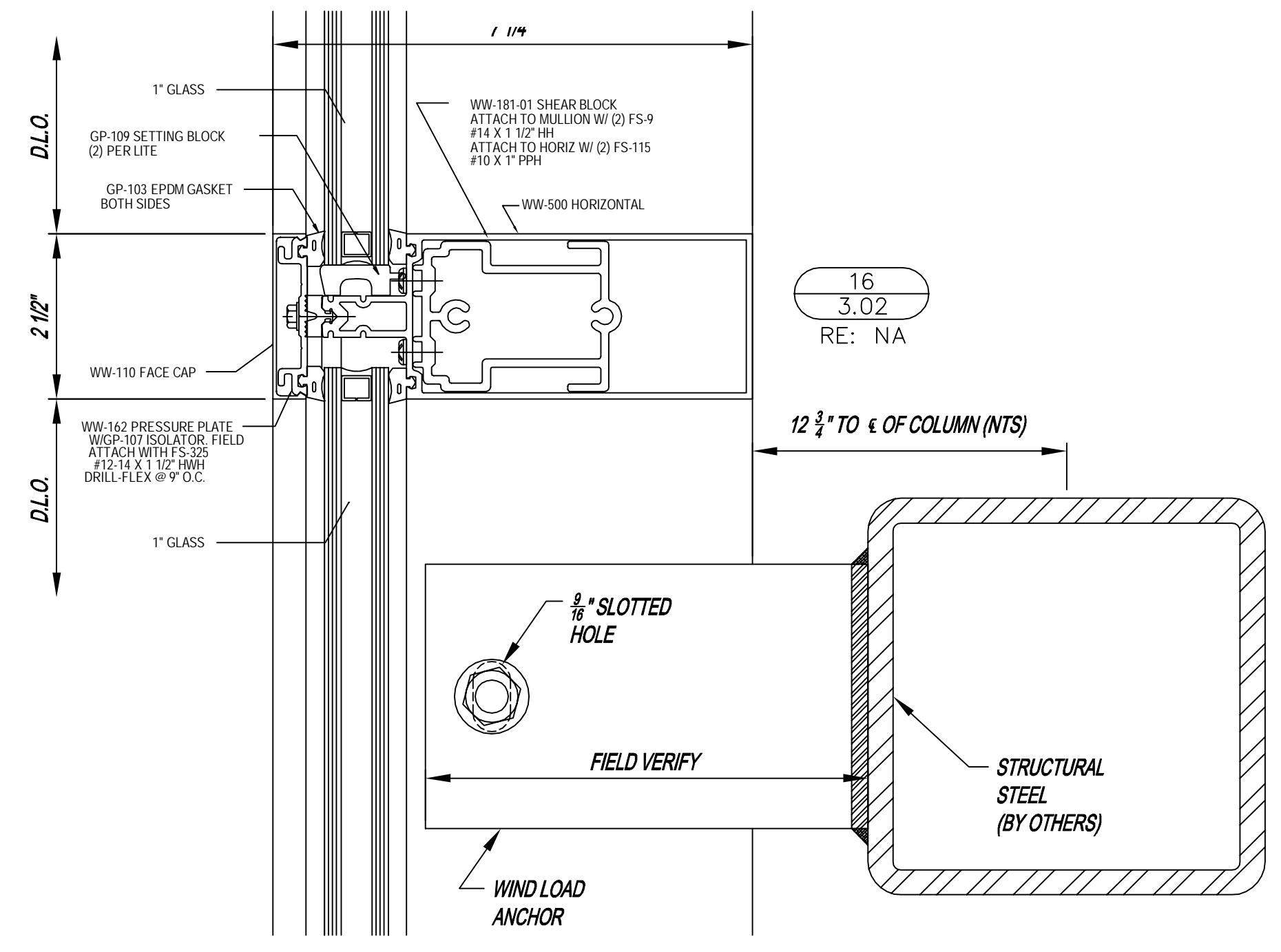
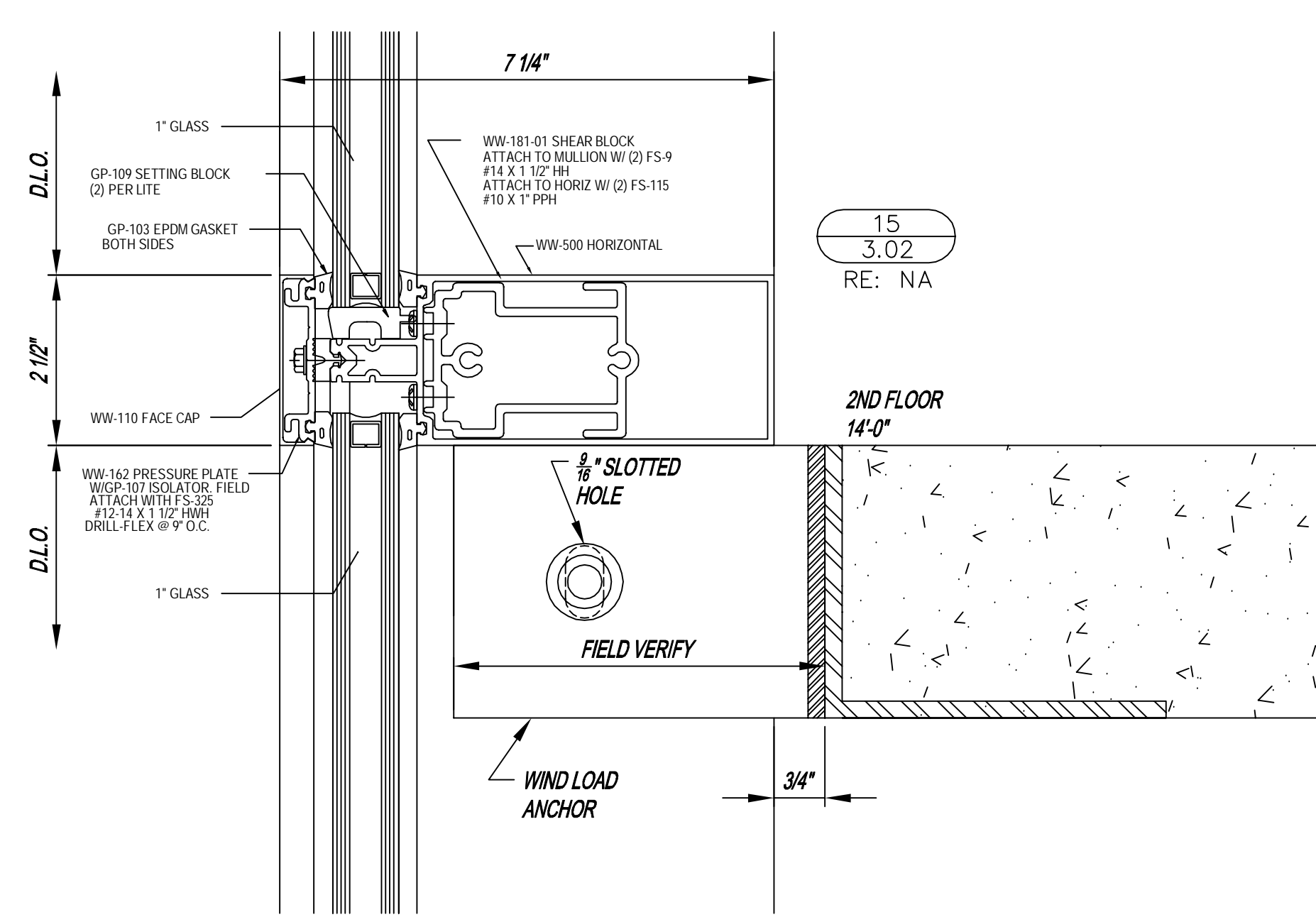
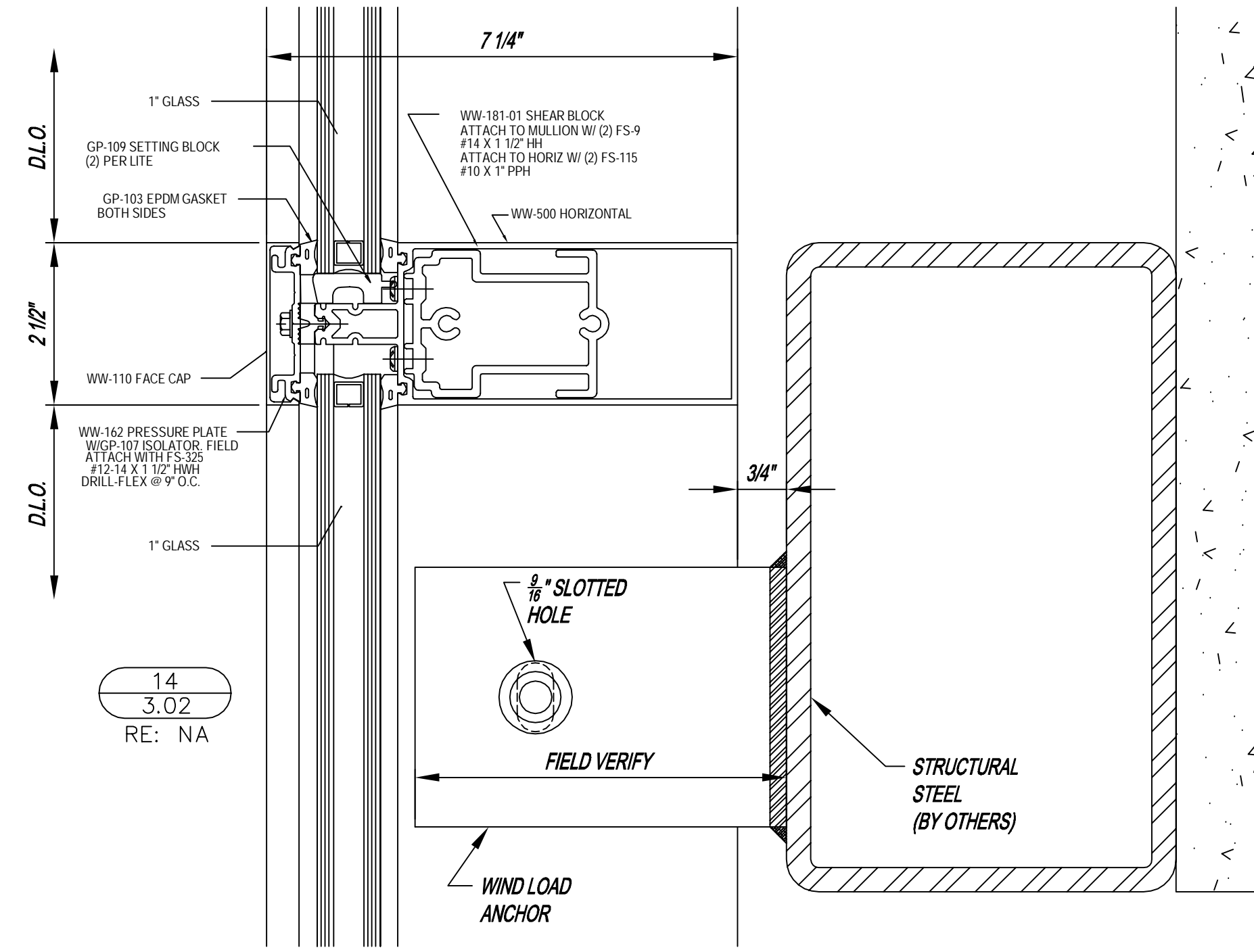
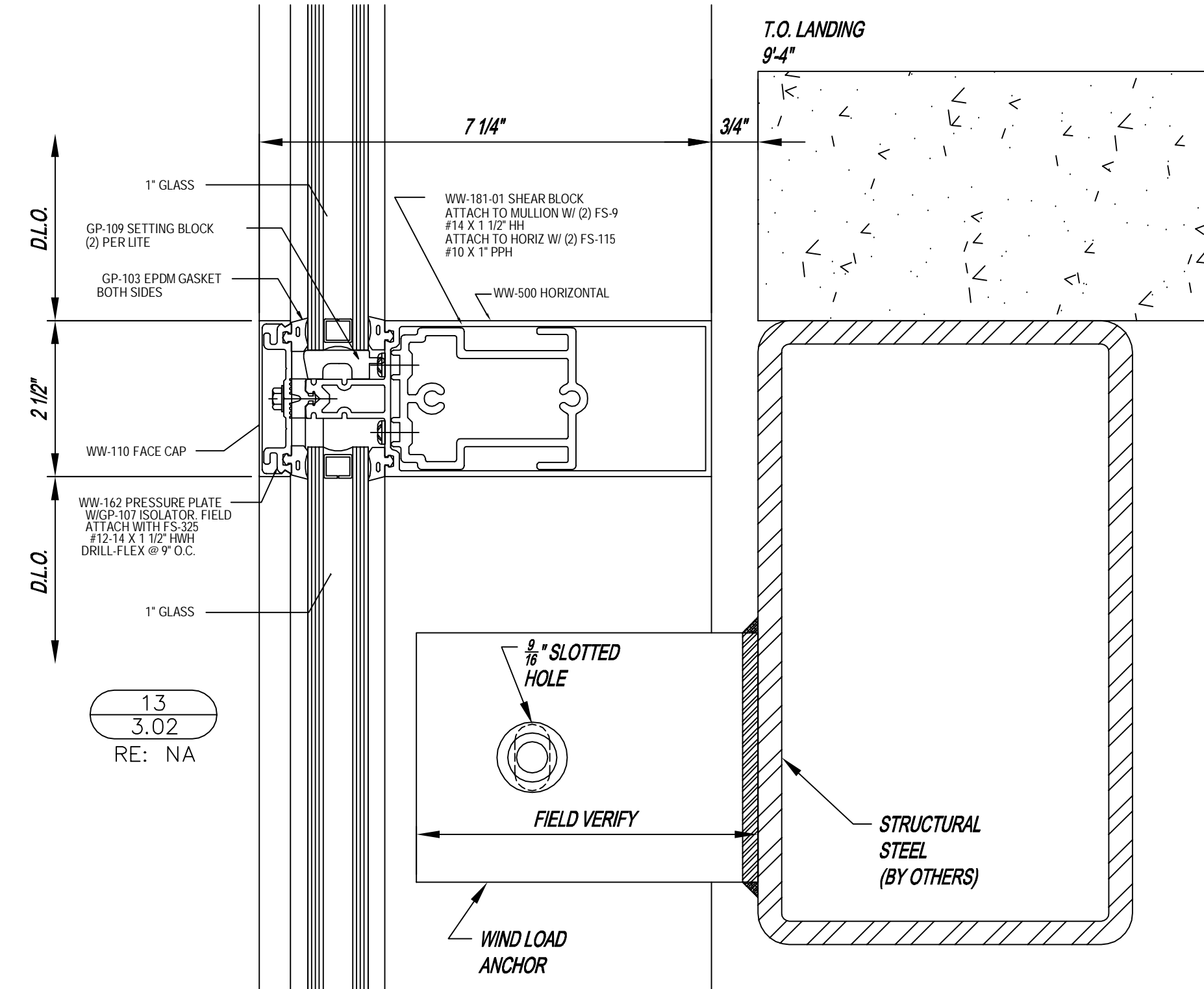
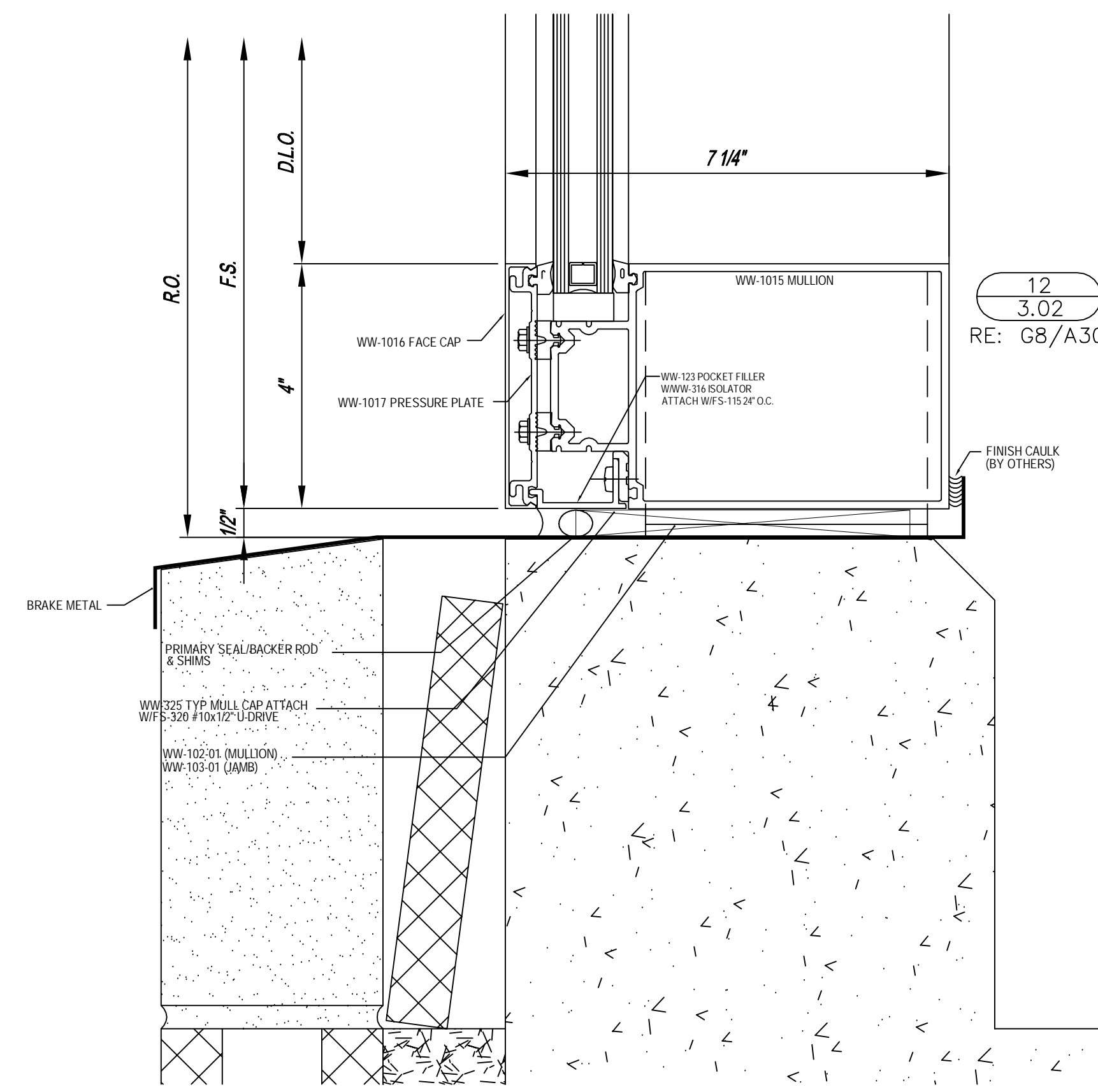
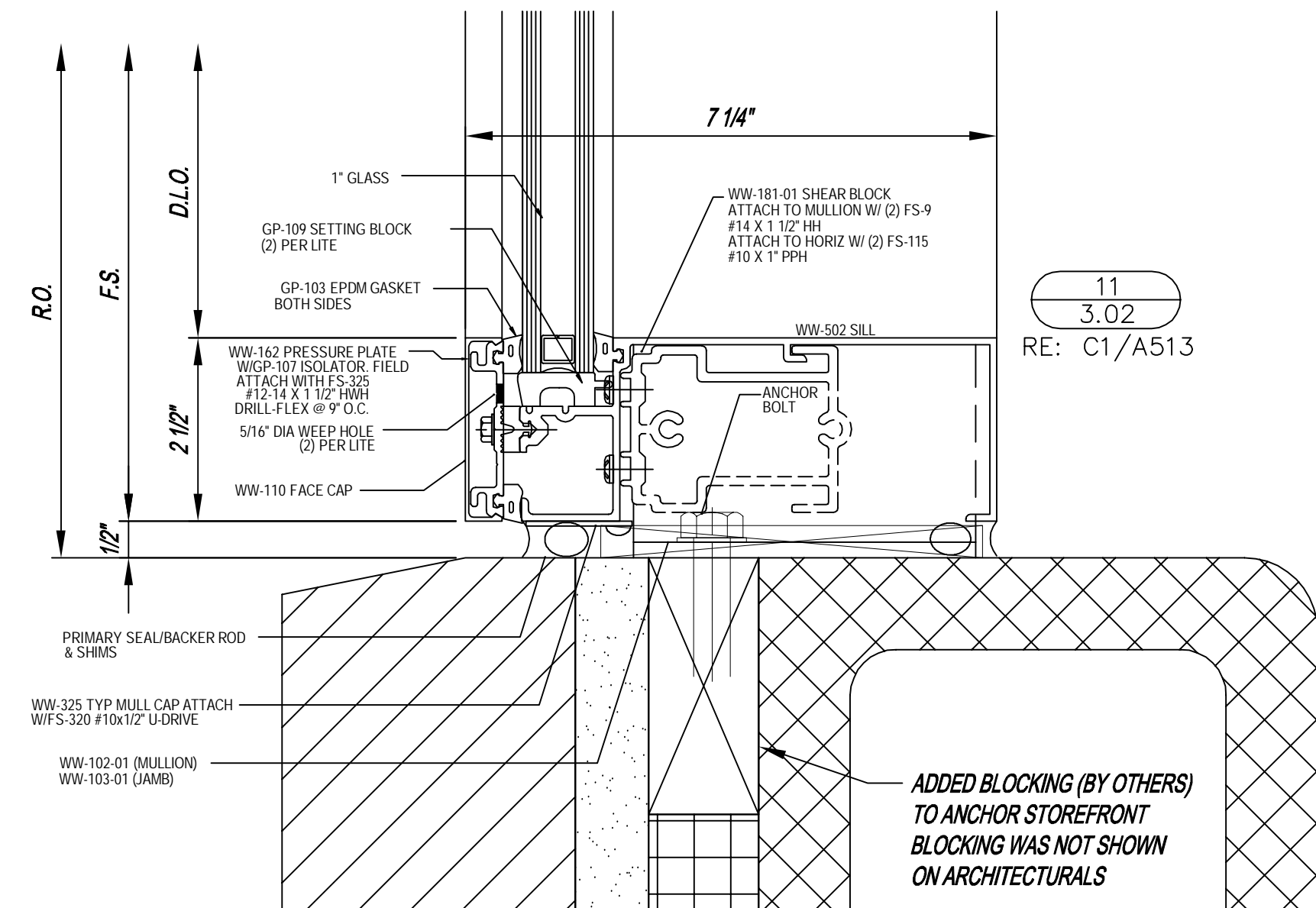
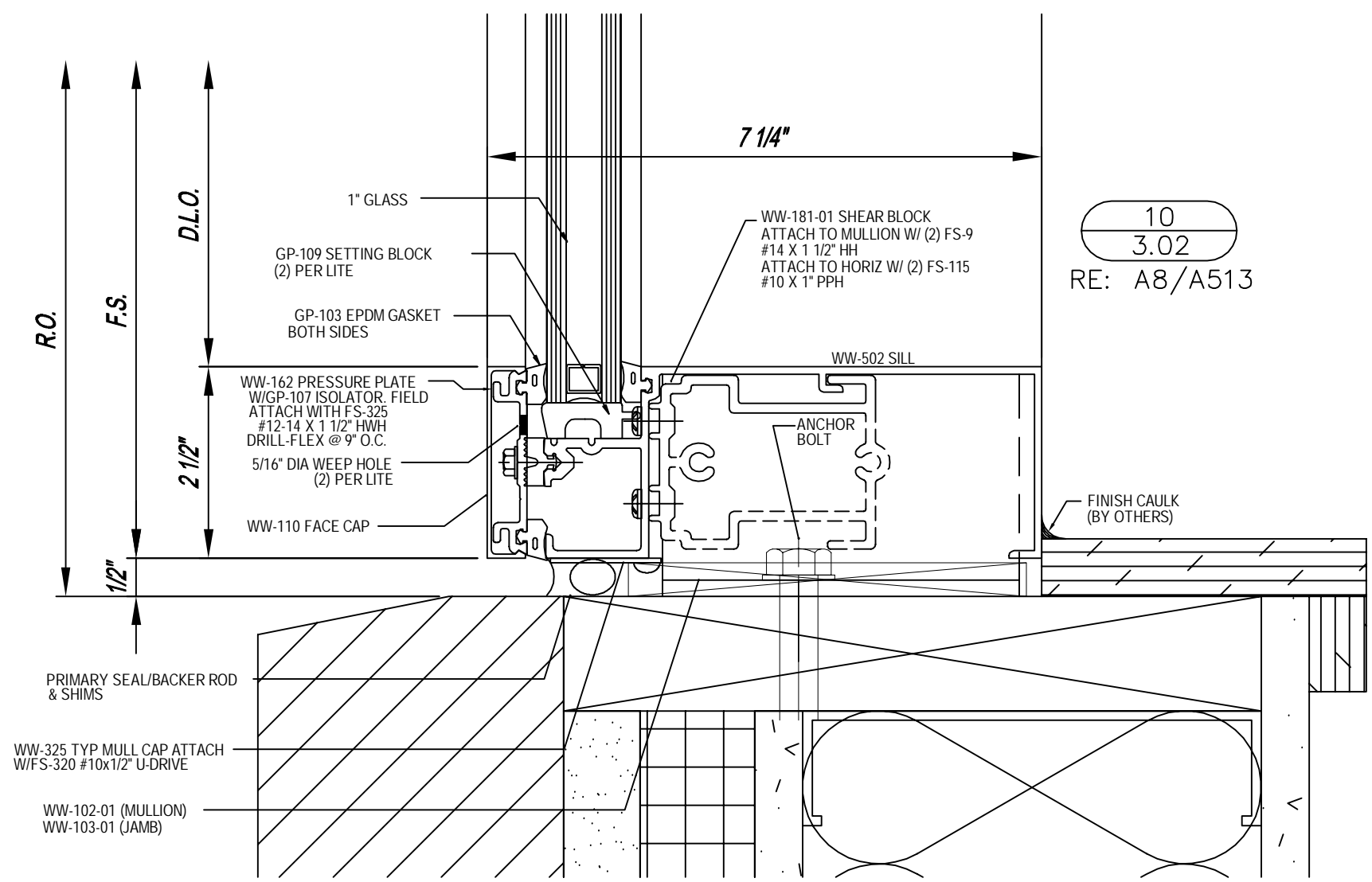
PROJECT NAME & ADDRESS

NO	DESCRIPTION	DATE
10/30/11	1ST. REVISION	
8/11/11	1ST. SUBMISSION	

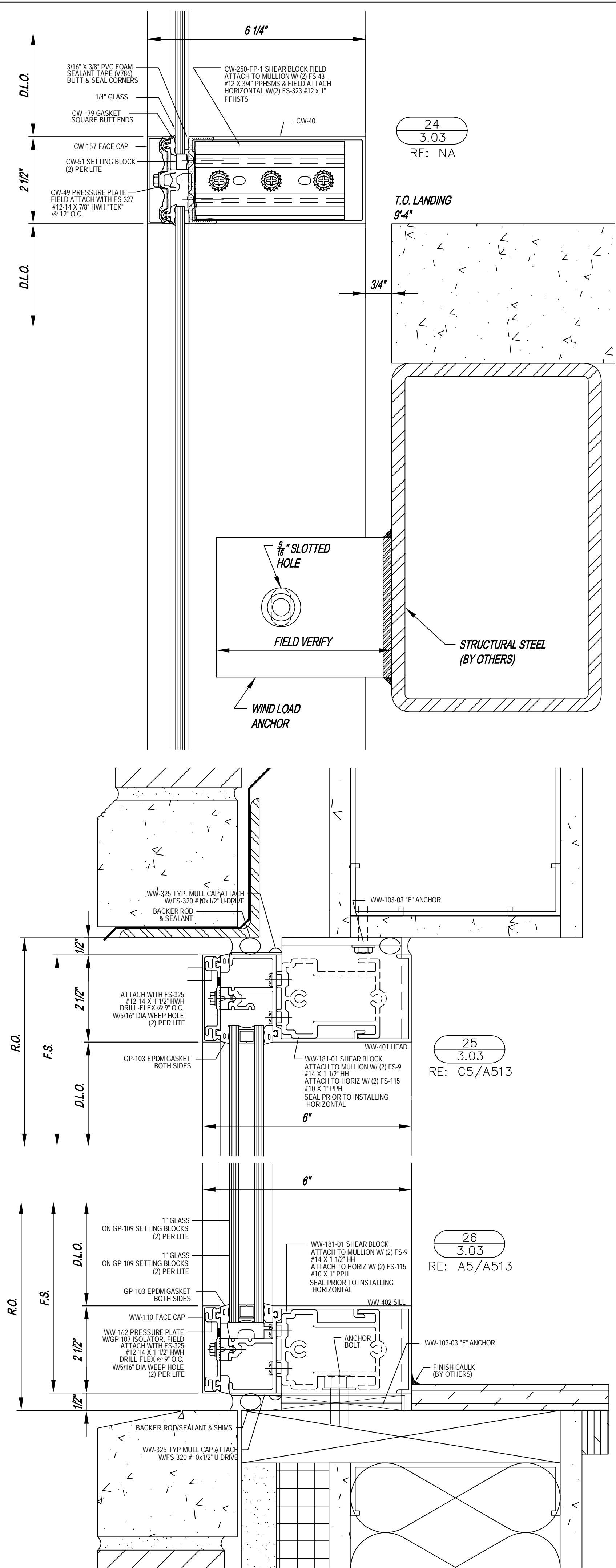
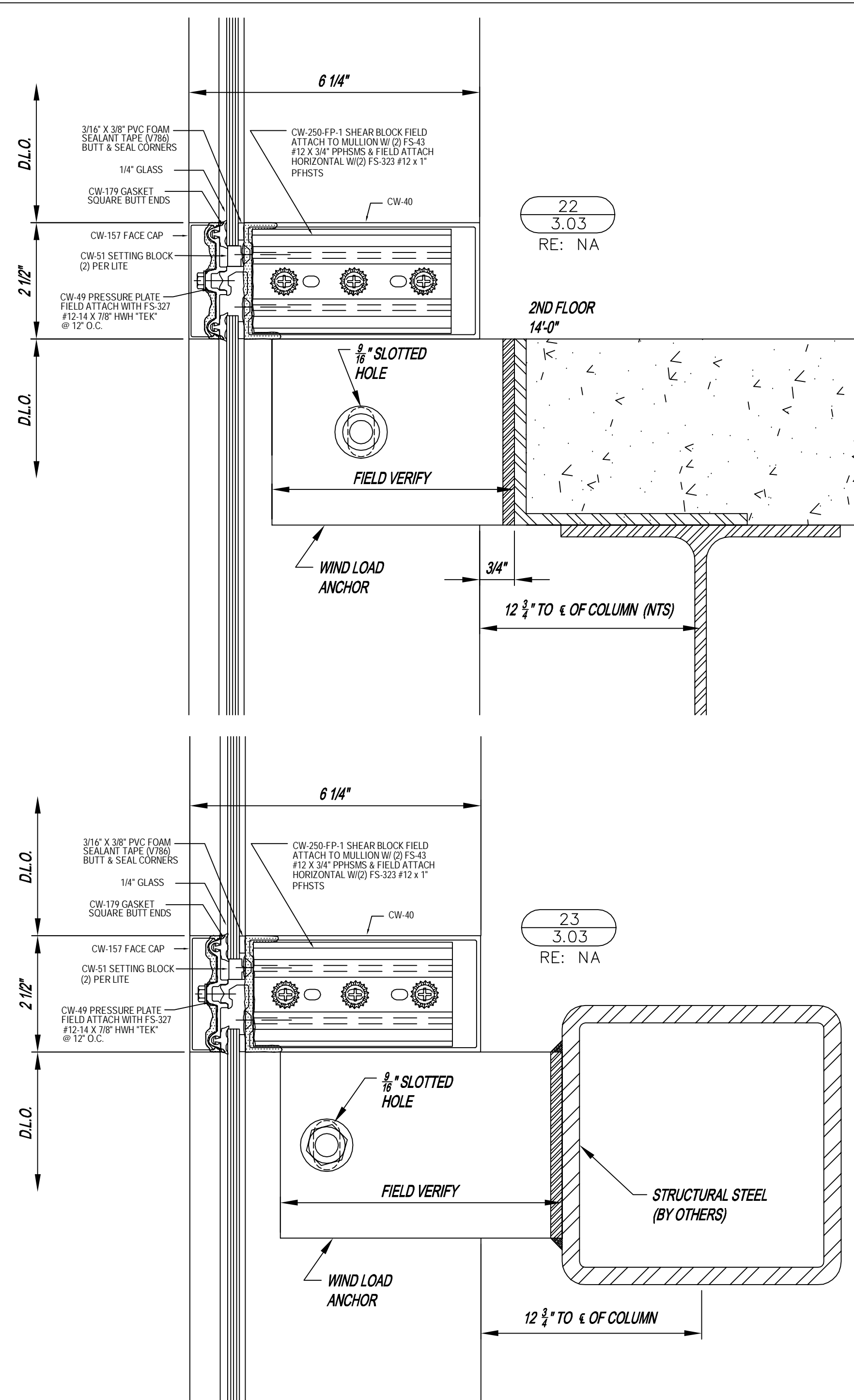
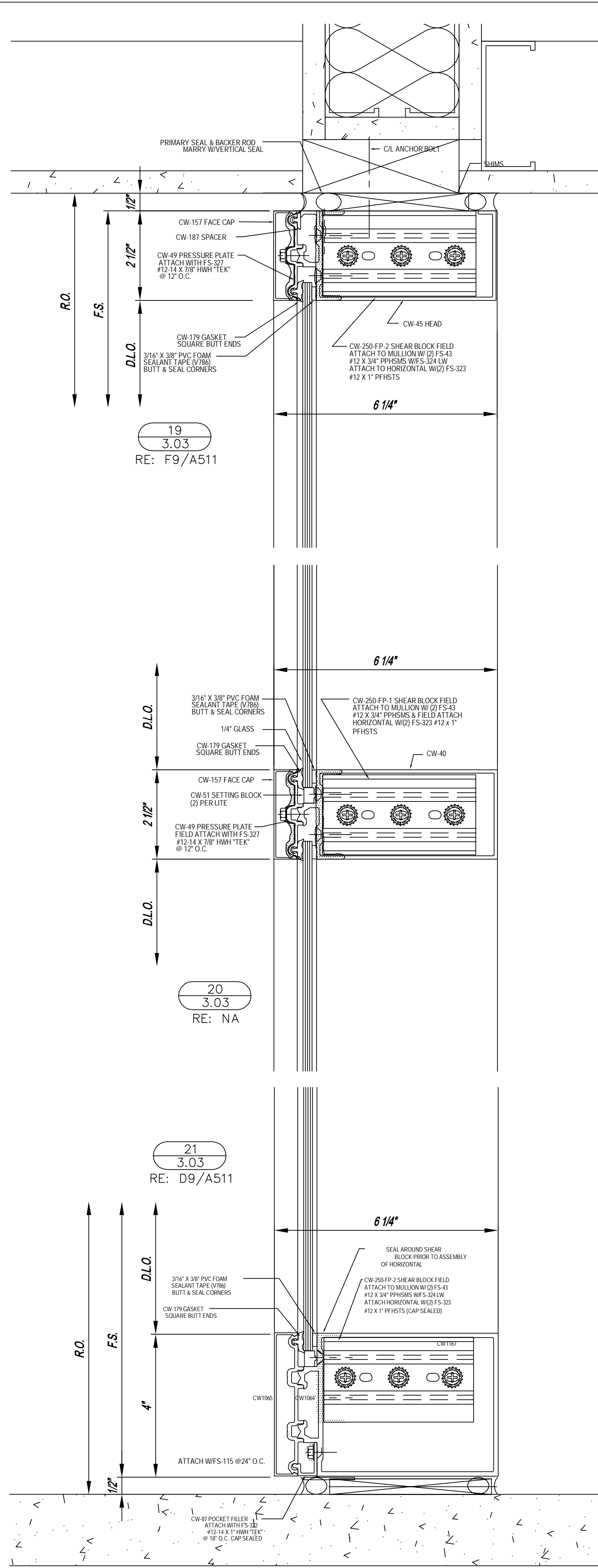
PROJECT:	ARCHITECT:	DATE:
PROJECT NAME & ADDRESS	CCW	8/11/11
CUSTOMER:		
JOB NAME:	PINE SHADOWS ELEMENTARY	
SHEET NO.:	2.49	



PROJECT: PROJECT NAME AND ADDRESS		DRAWING SUBMISSION	
DATE: 8/11/11	ARCHITECT: CCW	DESCRIPTION: PROJECT NAME AND ADDRESS	DATE: 8/11/11
DATE: 8/11/11	CUSTOMER:	NO	DATE
JOB NAME: PINE SHADOWS ELEMENTARY		DRAWING SUBMISSION	
SHEET NO: 3.01		DATE	

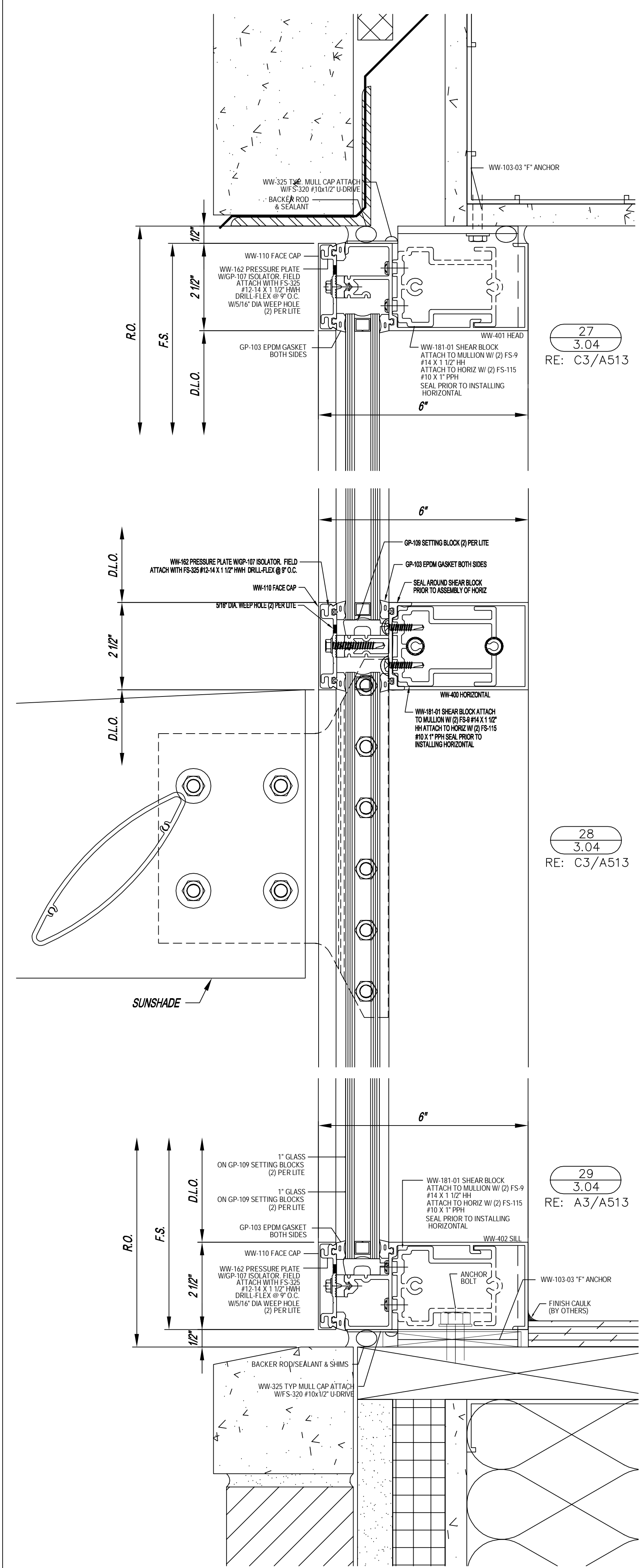


PROJECT: PROJECT NAME AND ADDRESS		DATE: 8/11/11	
DRAWN BY: GL		ARCHITECT: PINE SHADOWS ELEMENTARY	
CHECKED BY: CCW		CUSTOMER: PINE SHADOWS ELEMENTARY	
JOB NAME: PINE SHADOWS ELEMENTARY		SHEET NO.: 3.02	
PROJECT NAME AND ADDRESS		DRAWING SUBMISSION	
PROJECT NAME AND ADDRESS		DESCRIPTION	
PROJECT NAME AND ADDRESS		NO	
PROJECT NAME AND ADDRESS		1ST. REVISION	
PROJECT NAME AND ADDRESS		1ST. SUBMISSION	
PROJECT NAME AND ADDRESS		DATE	
PROJECT NAME AND ADDRESS		8/11/11	
PROJECT NAME AND ADDRESS		10/30/11	



PROJECT NAME AND ADDRESS

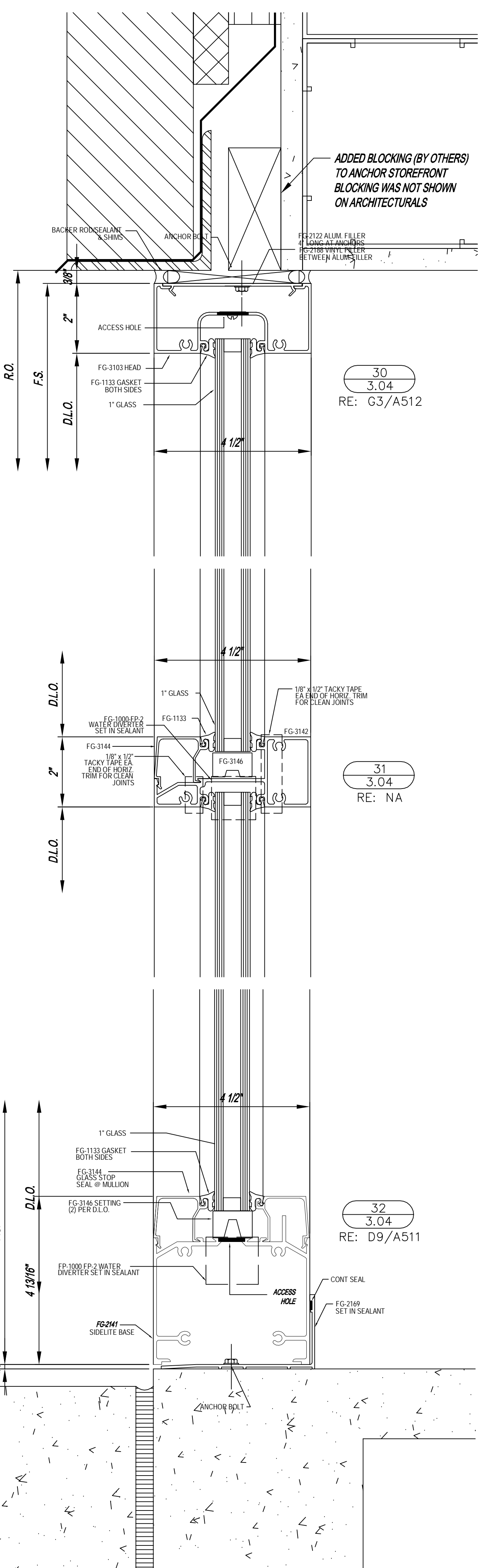
PROJECT:	PROJECT NAME AND ADDRESS	NO	DESCRIPTION	DATE
DRAWN BY:	GL	10/30/11	1ST. REVISION	
CHECKED BY:	CCW	8/11/11	1ST. SUBMISSION	
JOB NAME:	PINE SHADOWS ELEMENTARY			
SHEET NO.:	3.03			
ARCHITECT:				
CUSTOMER:				
DRAWING SUBMISSION				



27
3.04
RE: C3/A513

28
3.04
RE: C3/A513

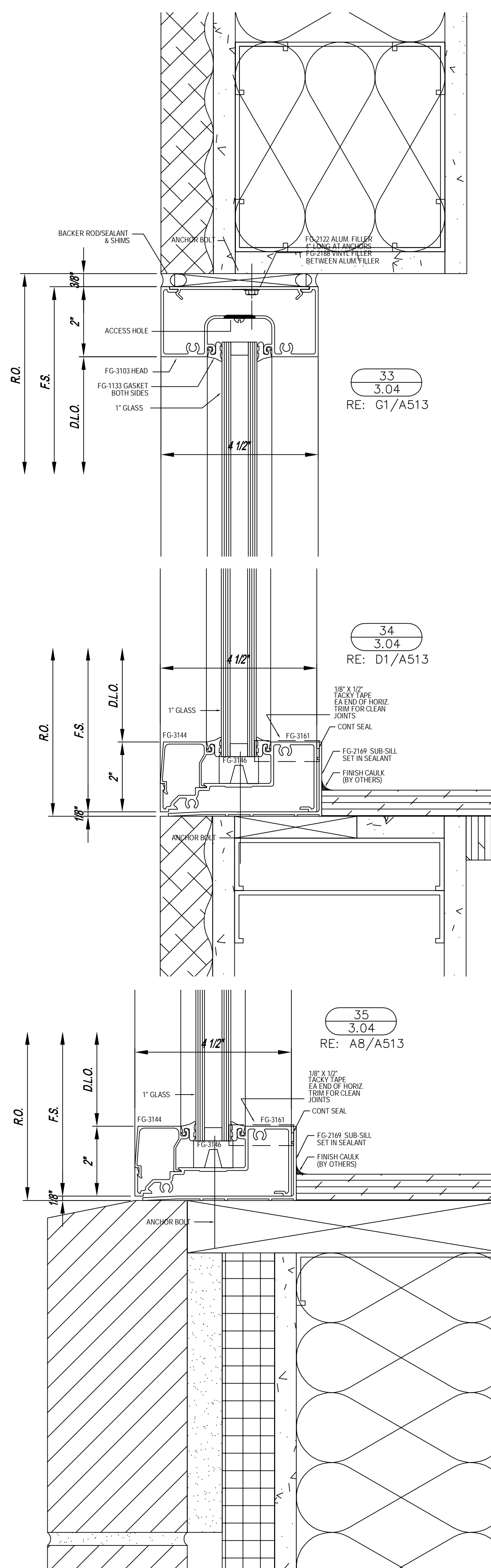
29
3.04
RE: A3/A513



30
3.04
RE: G3/A512

31
3.04
RE: NA

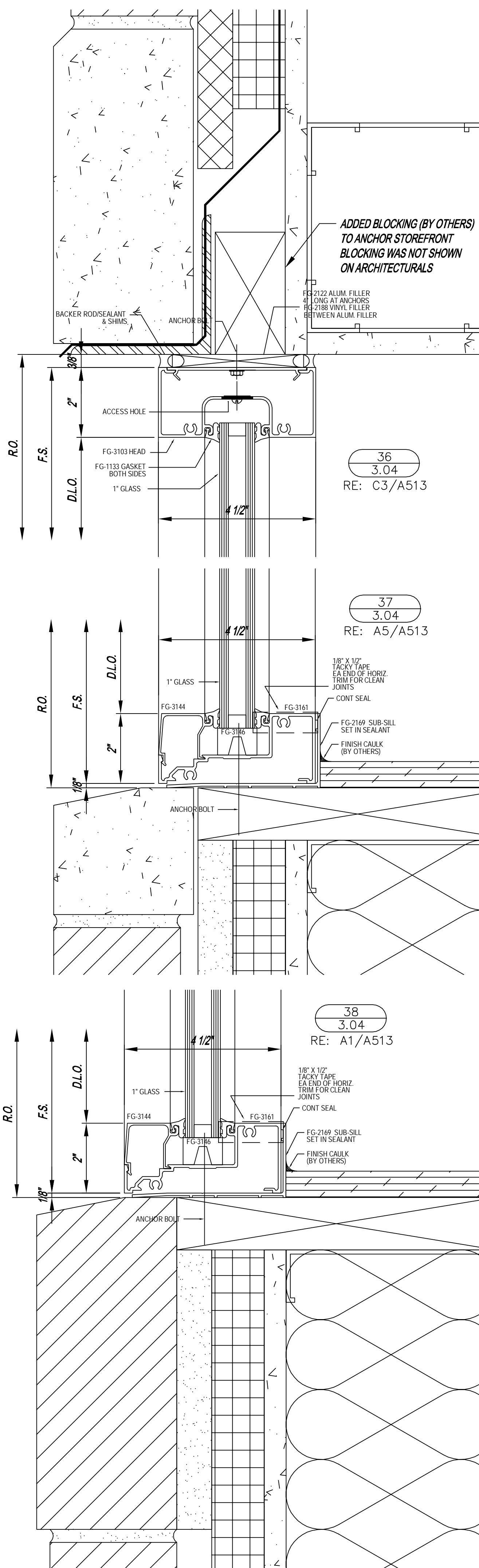
32
3.04
RE: D9/A511



33
3.04
RE: G1/A513

34
3.04
RE: D1/A513

35
3.04
RE: A8/A513



36
3.04
RE: C3/A513

37
3.04
RE: A5/A513

38
3.04
RE: A1/A513

NO	DESCRIPTION	DATE
1ST. SUBMISSION		8/11/11
1ST. REVISION		10/30/11

PROJECT NAME AND ADDRESS

PROJECT: PROJECT NAME AND ADDRESS

DRAWN BY: GL	DATE: 8/11/11
CHECKED BY: CCW	DATE: 8/11/11
JOB NAME: PINE SHADOWS ELEMENTARY	
SHEET NO.: 3.04	

ARCHITECT: 10/30/11

CUSTOMER: 8/11/11

DATE

DESCRIPTION

NO

DESCRIPTION

DATE

NO

DESCRIPTION

DATE

NO

DESCRIPTION

DATE

NO

DESCRIPTION

DATE

NO

DESCRIPTION

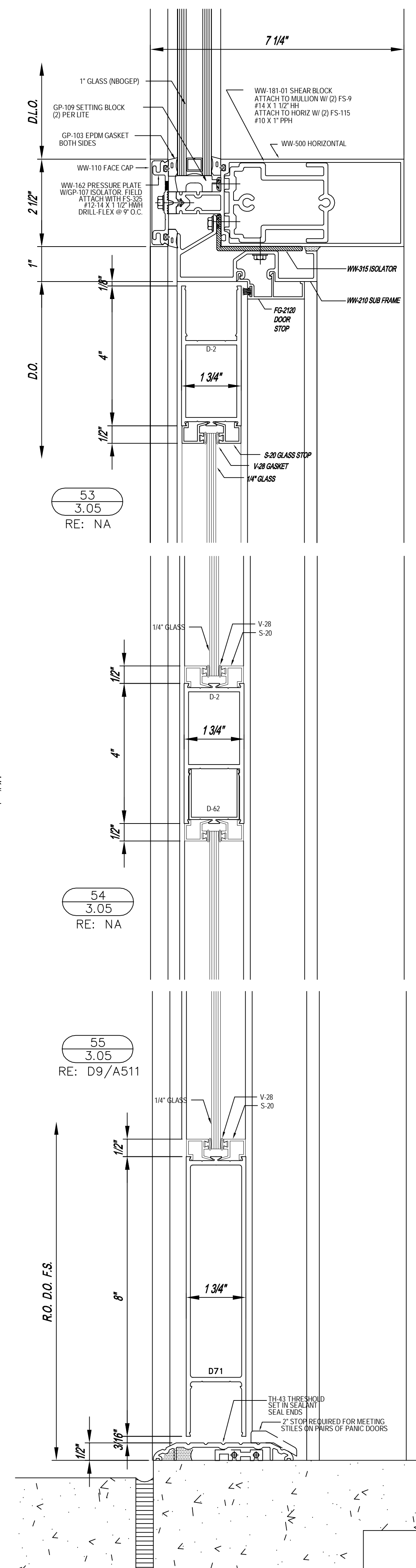
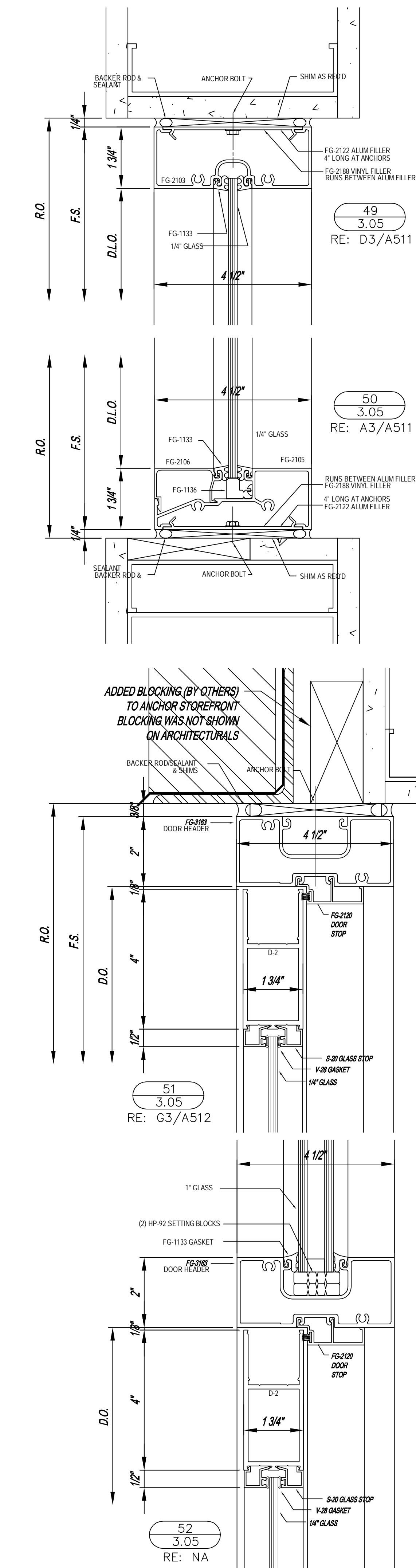
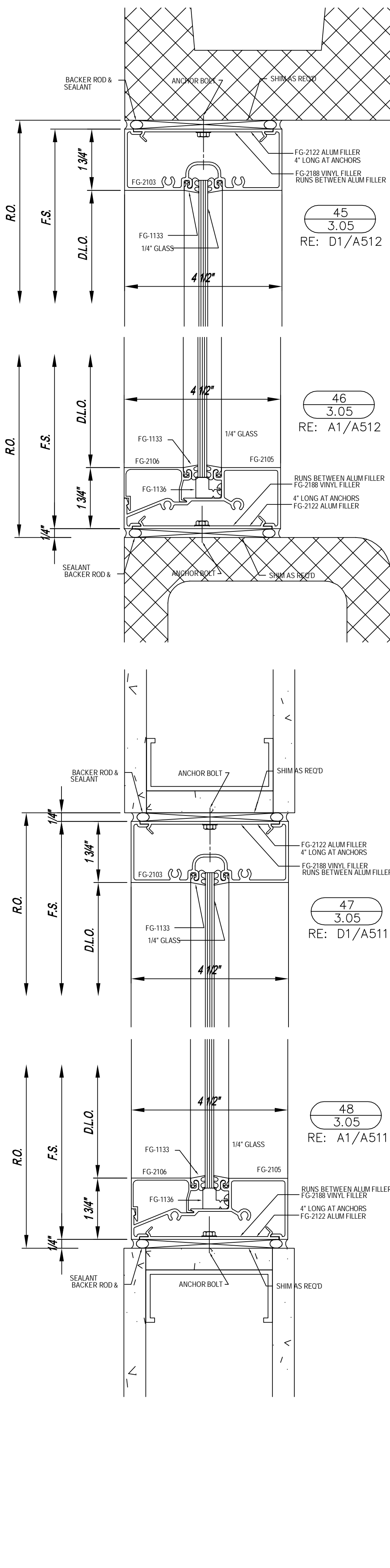
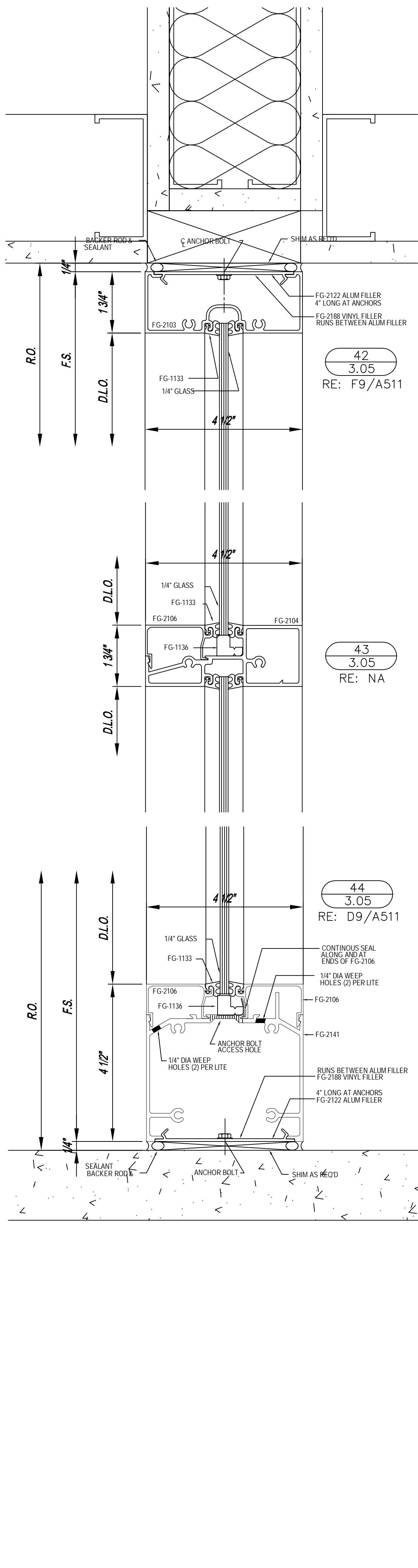
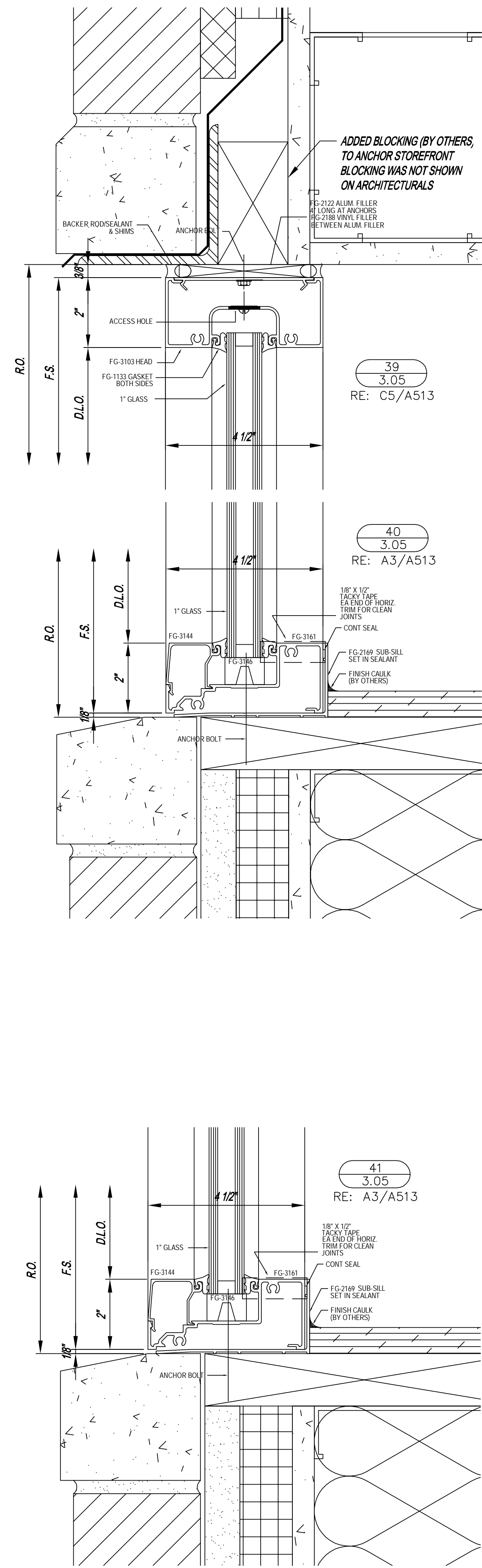
DATE

NO

DESCRIPTION

DATE

NO



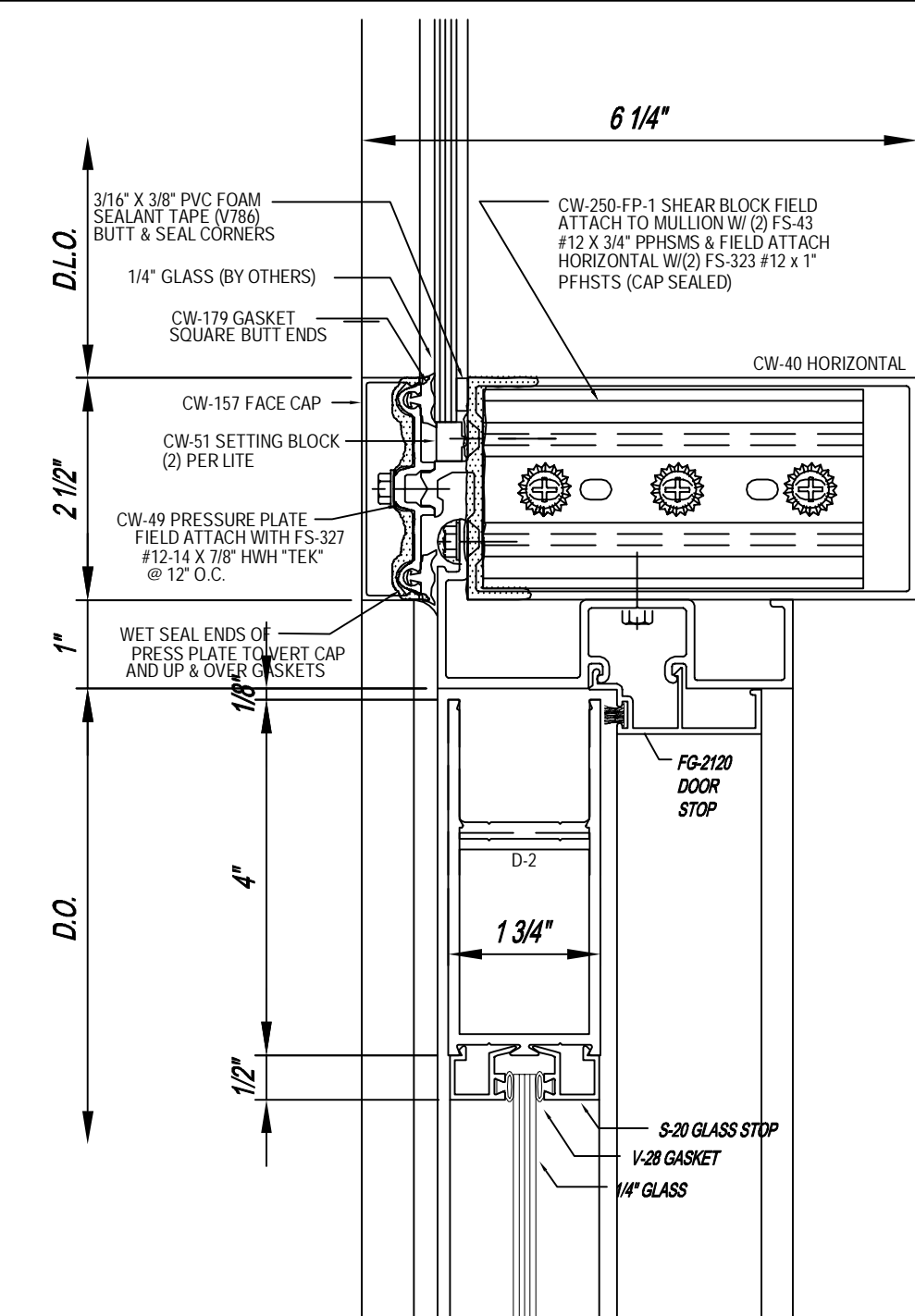
PROJECT NAME AND ADDRESS

PROJECT NAME AND ADDRESS

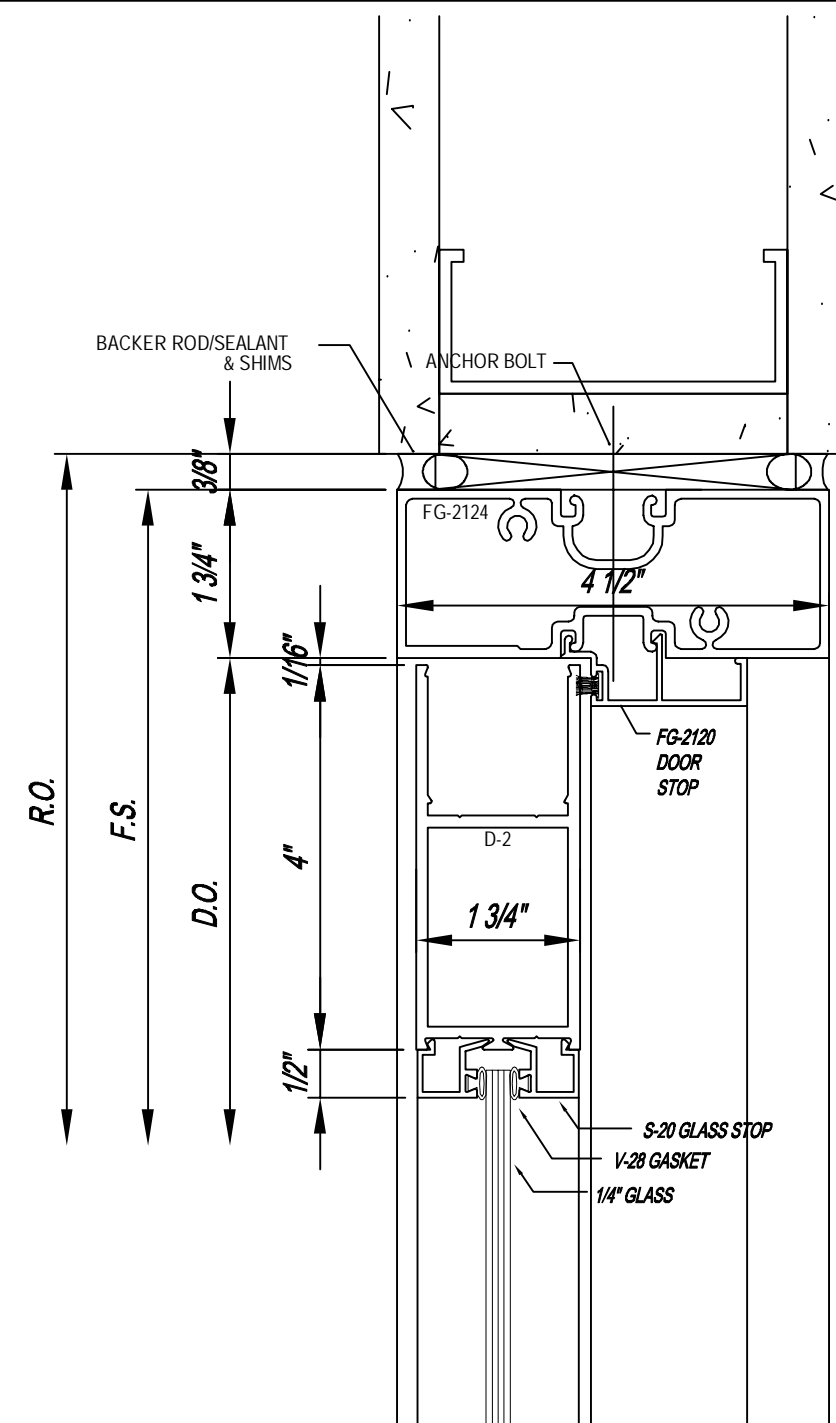
DRAWN BY: GL	DATE: 8/11/11
CHECKED BY: CCW	DATE: 8/11/11
JOB NAME: PINE SHADOWS ELEMENTARY	
SHEET NO: 3.05	

10/30/11	DATE
8/11/11	DATE
1ST. REVISION	DESCRIPTION
1ST. SUBMISSION	DESCRIPTION
NO	NO

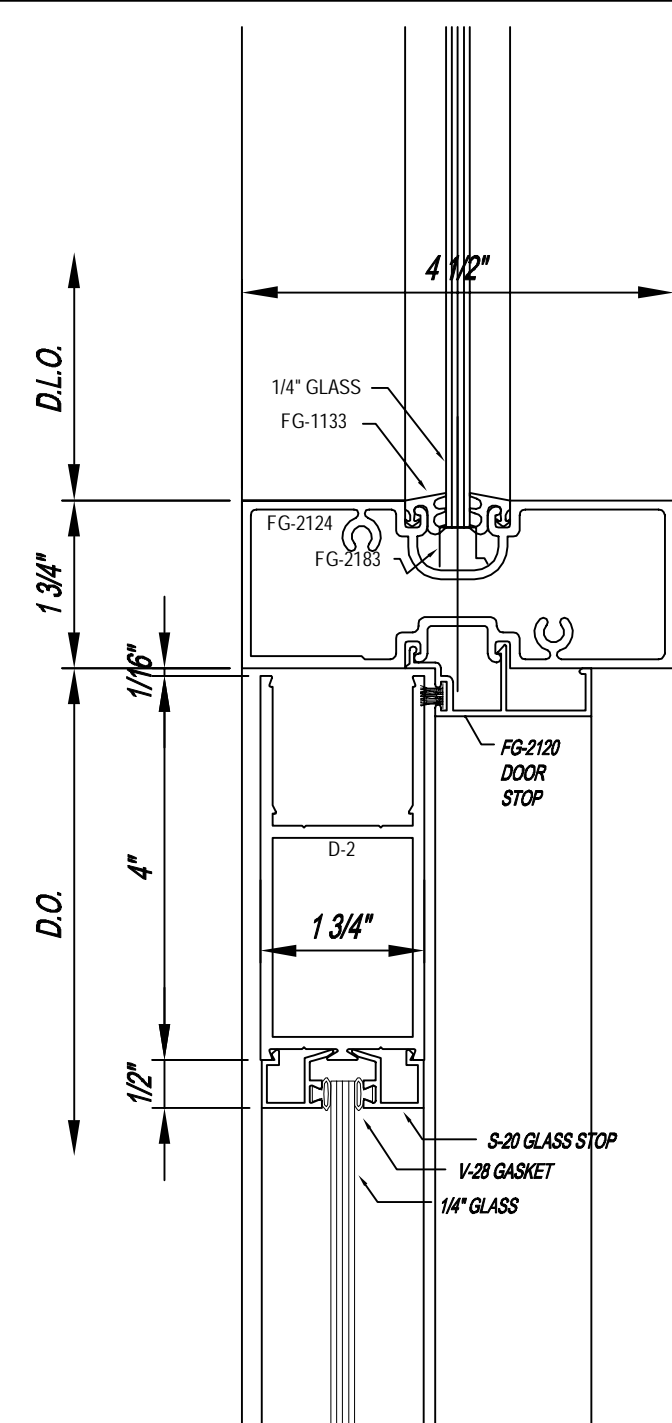
DRAWING SUBMISSION



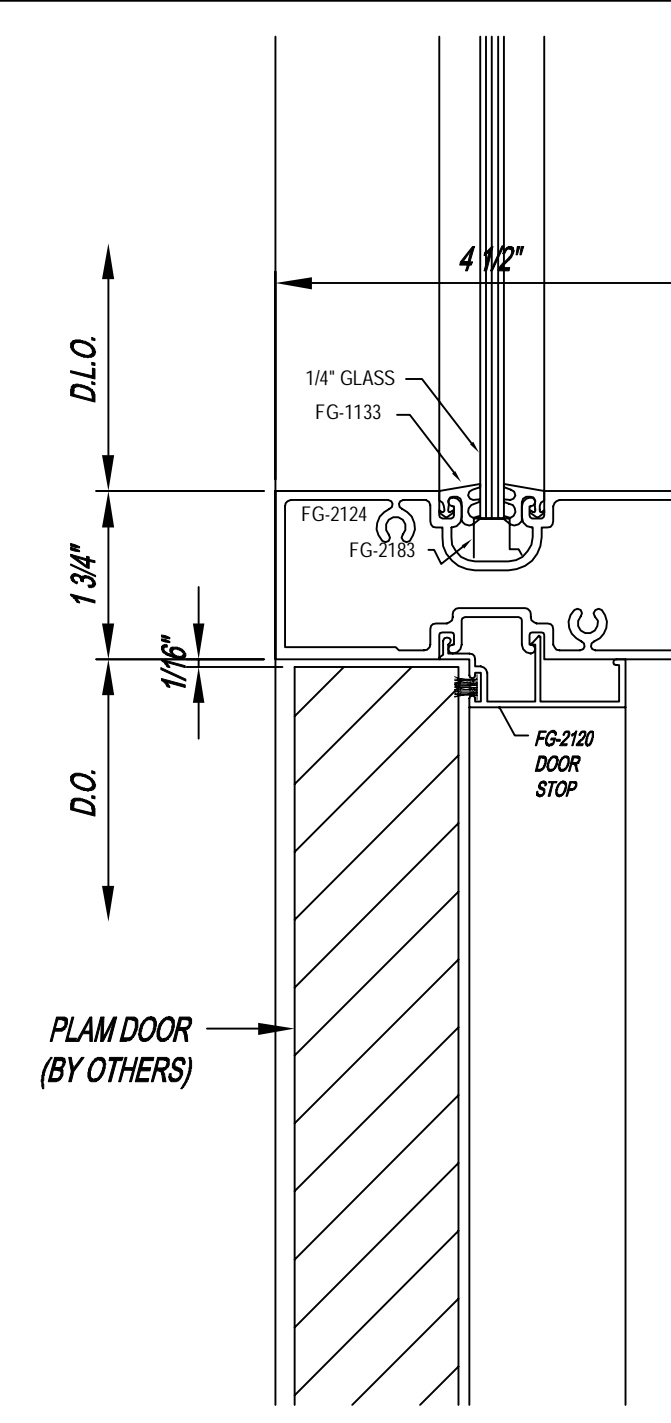
56
3.06
RE: NA



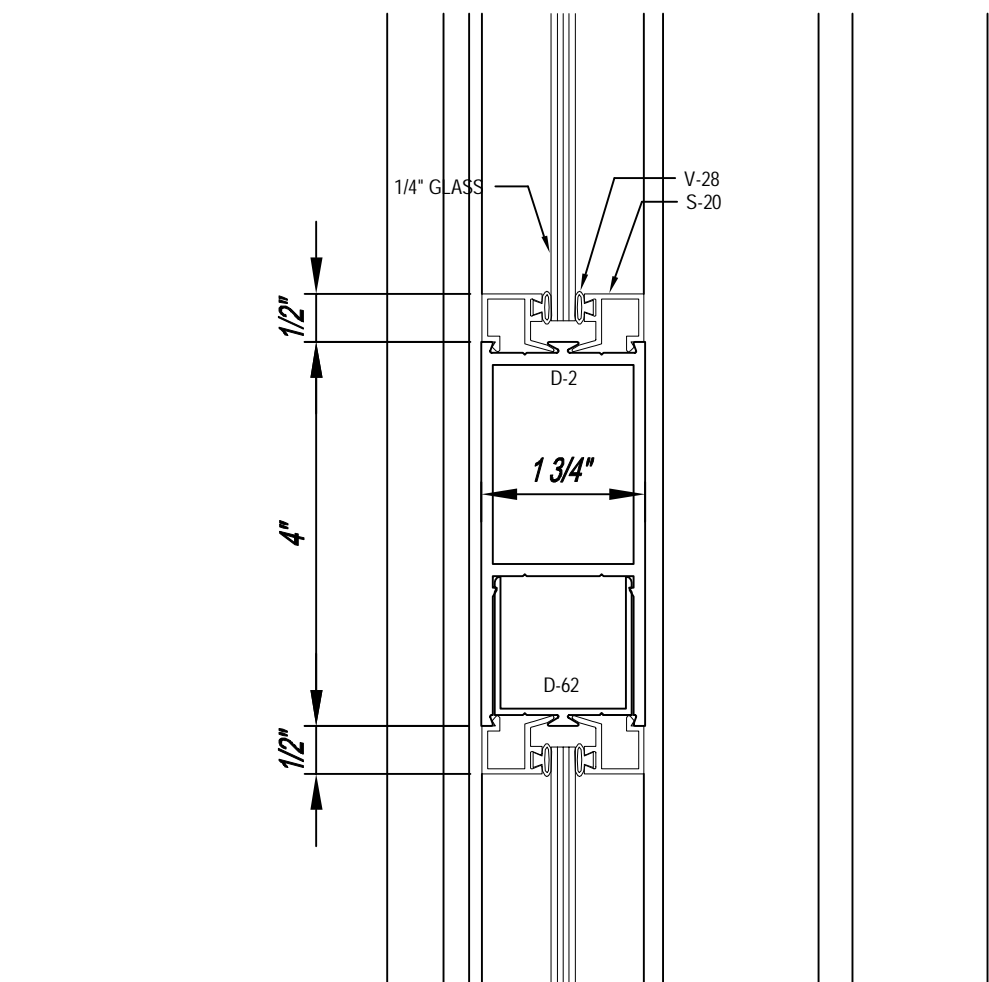
59
3.06
RE: D1/A511



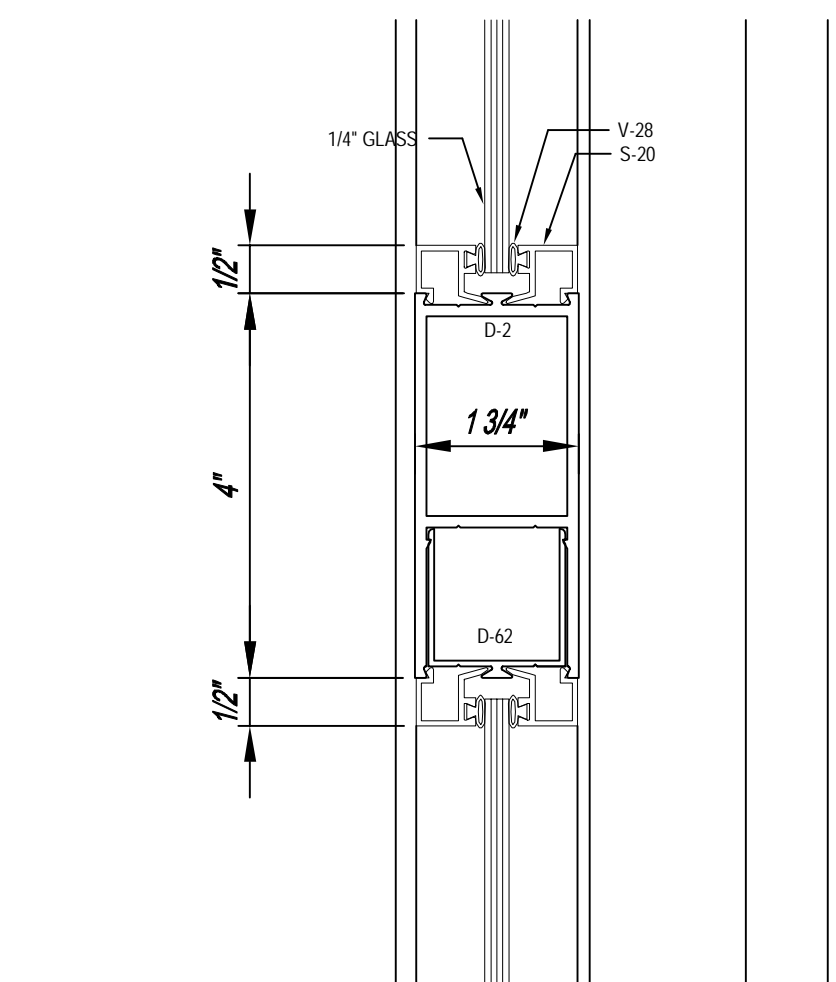
62
3.06
RE: NA



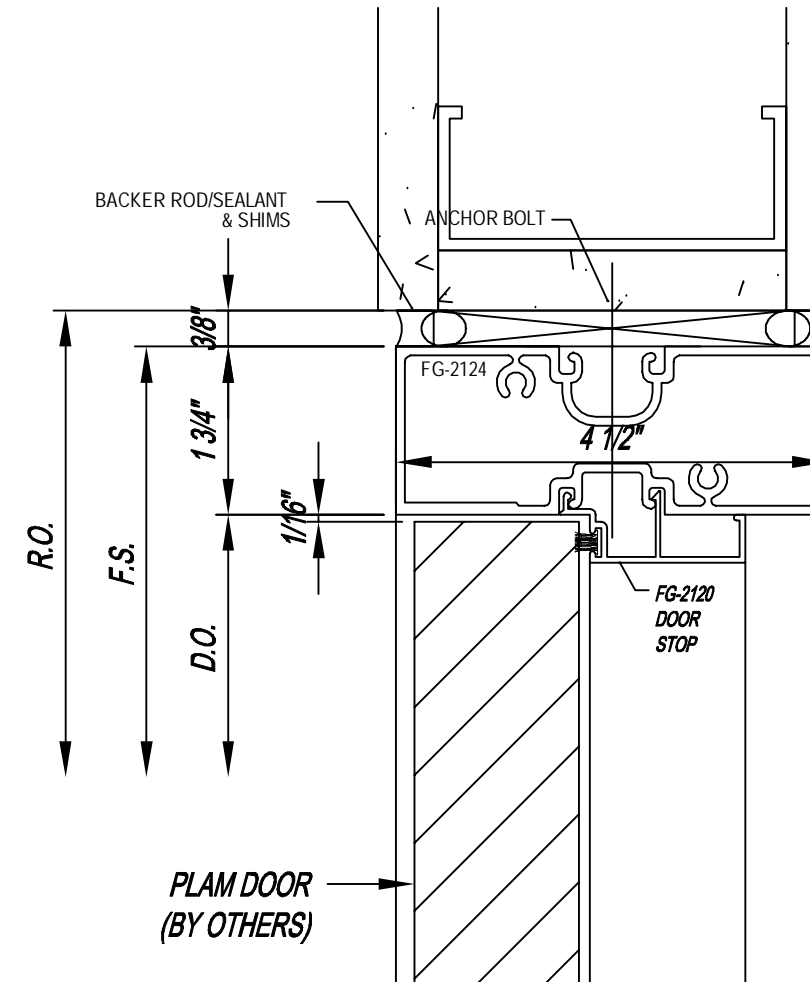
65
3.06
RE: NA



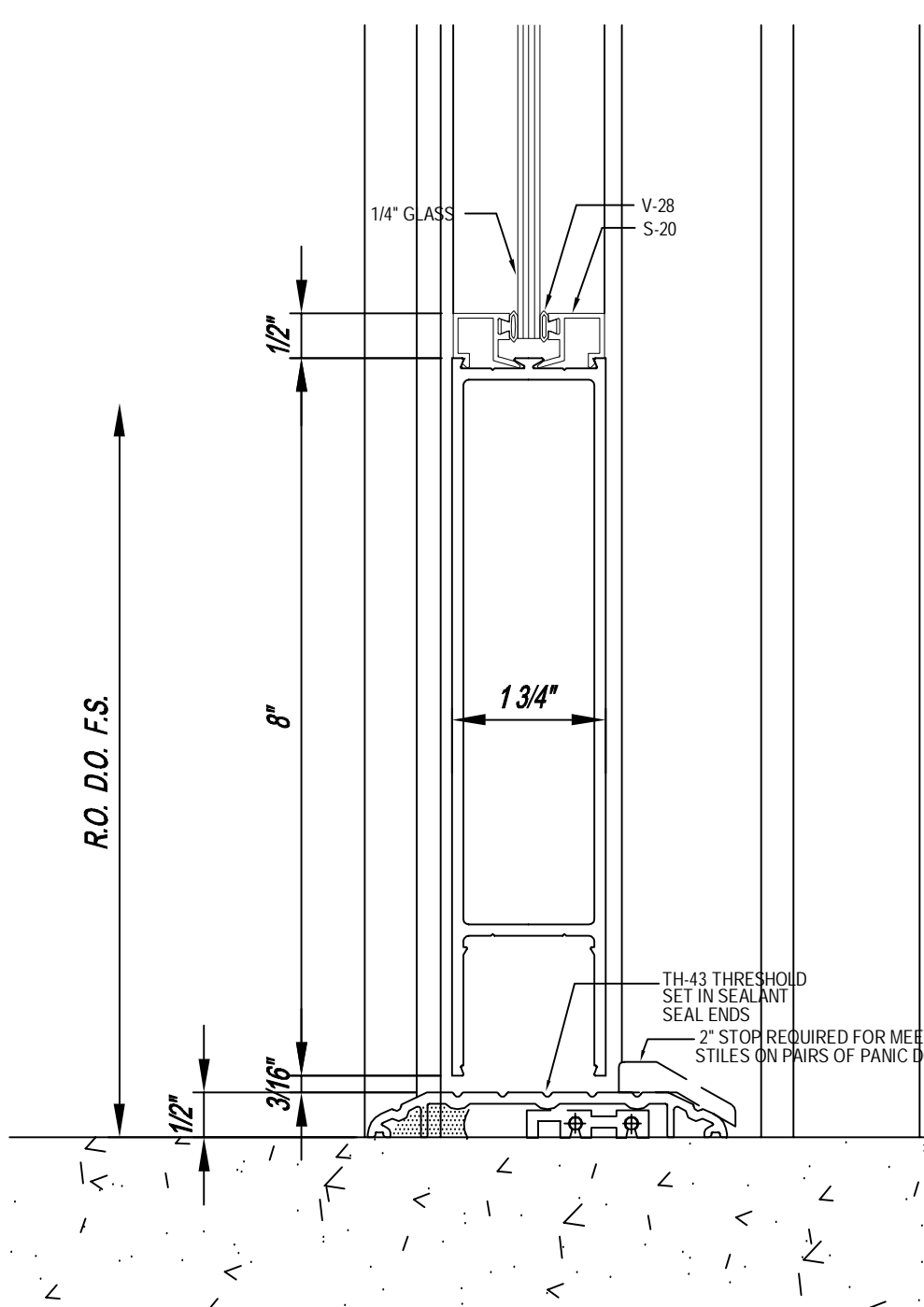
57
3.06
RE: NA



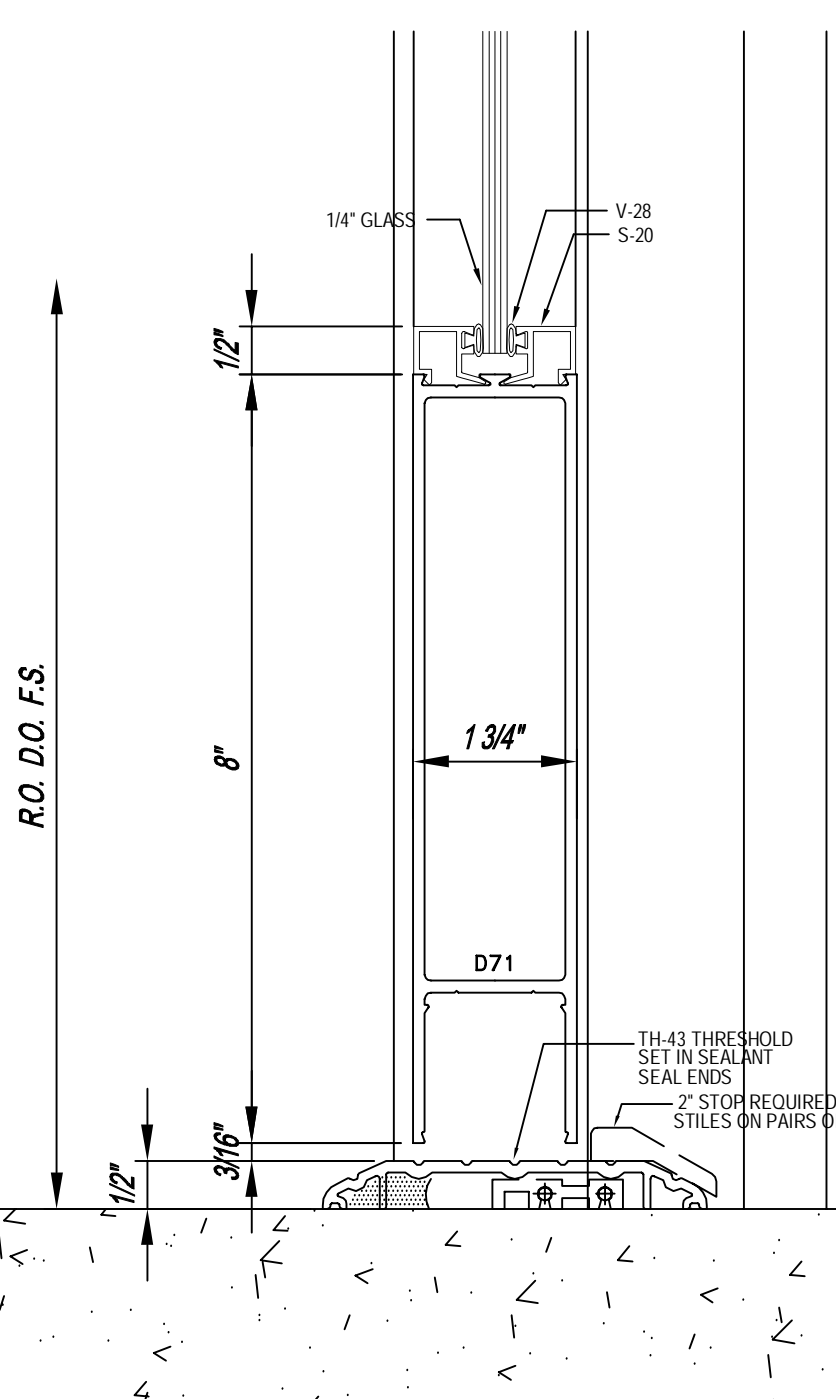
60
3.06
RE: NA



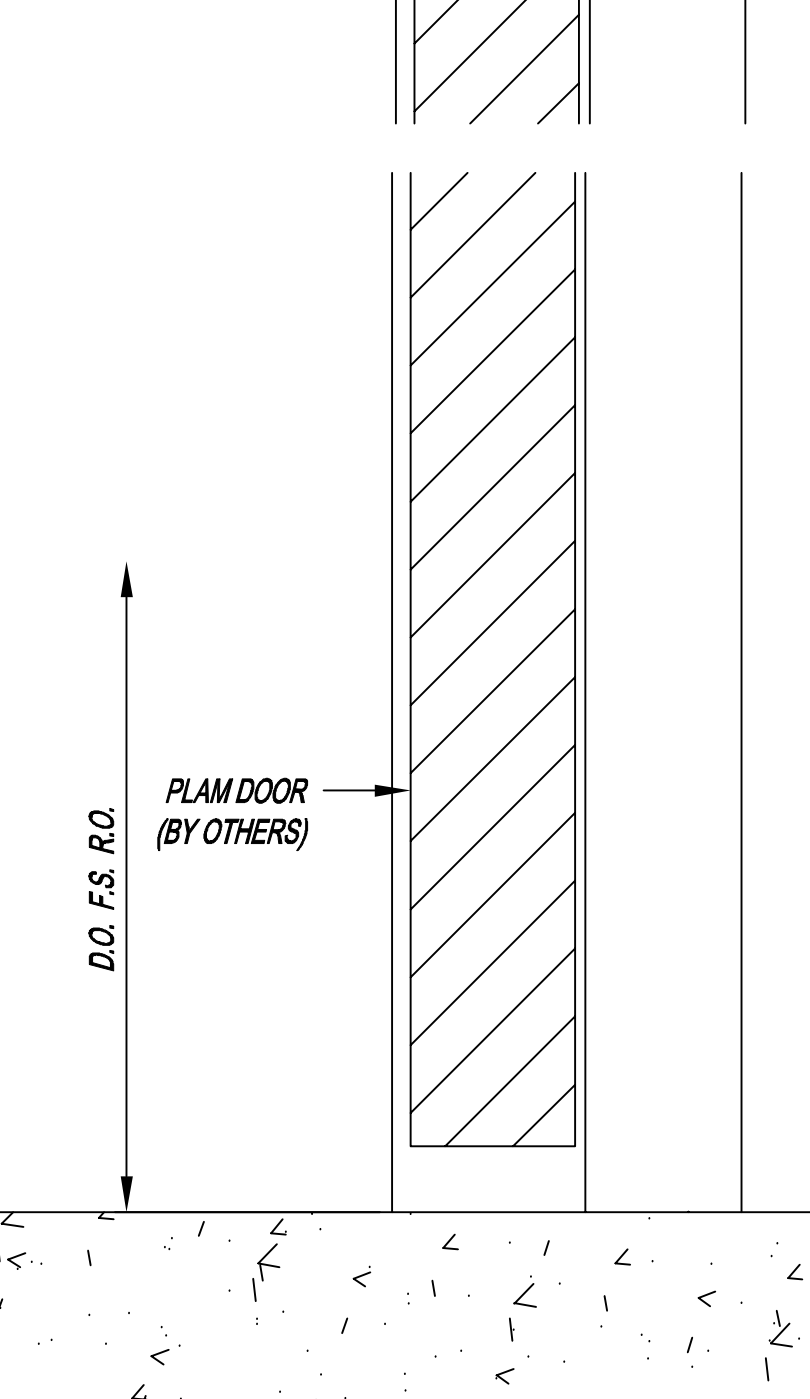
63
3.06
RE: D1/A511



58
3.06
RE: D9/A511



61
3.06
RE: D9/A511

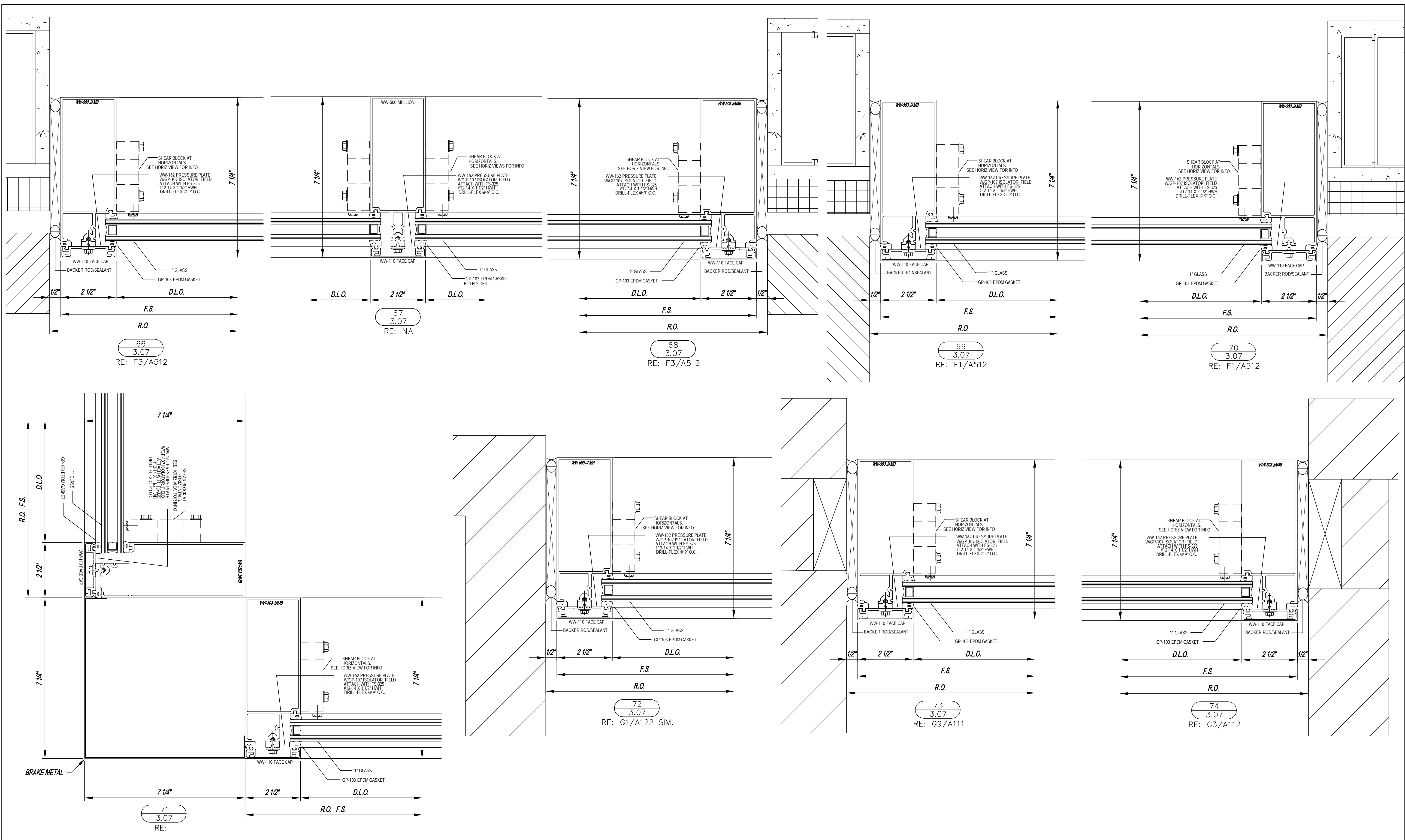


64
3.06
RE: D9/A511

PROJECT:	PROJECT NAME AND ADDRESS
DRAWN BY:	GL
CHECKED BY:	CCW
JOB NAME:	PINE SHADOWS ELEMENTARY
SHEET NO.:	3.06
DATE:	8/11/11
ARCHITECT:	CCW
CUSTOMER:	PINE SHADOWS ELEMENTARY
NO.	NO
DESCRIPTION	DESCRIPTION
DATE	DATE
10/30/11	10/30/11
8/11/11	8/11/11
1ST. SUBMISSION	1ST. SUBMISSION
1ST. REVISION	1ST. REVISION
DRAWING SUBMISSION	DRAWING SUBMISSION

PROJECT NAME AND ADDRESS

PROJECT:	PROJECT NAME AND ADDRESS
DRAWN BY:	GL
CHECKED BY:	CCW
JOB NAME:	PINE SHADOWS ELEMENTARY
SHEET NO.:	3.06
DATE:	8/11/11
ARCHITECT:	CCW
CUSTOMER:	PINE SHADOWS ELEMENTARY
NO.	NO
DESCRIPTION	DESCRIPTION
DATE	DATE
10/30/11	10/30/11
8/11/11	8/11/11
1ST. SUBMISSION	1ST. SUBMISSION
1ST. REVISION	1ST. REVISION
DRAWING SUBMISSION	DRAWING SUBMISSION



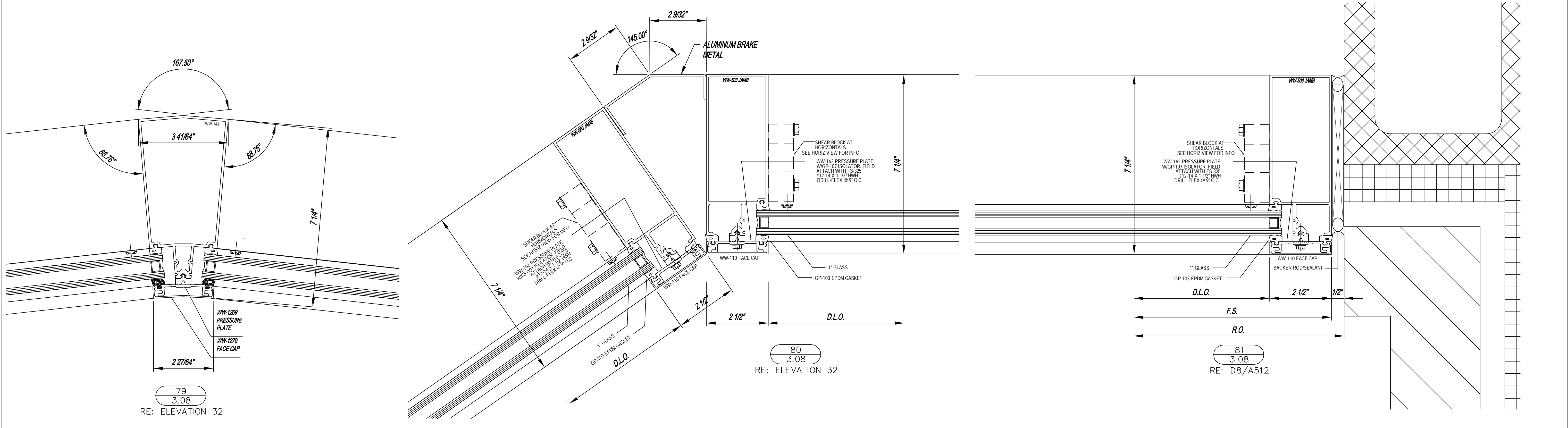
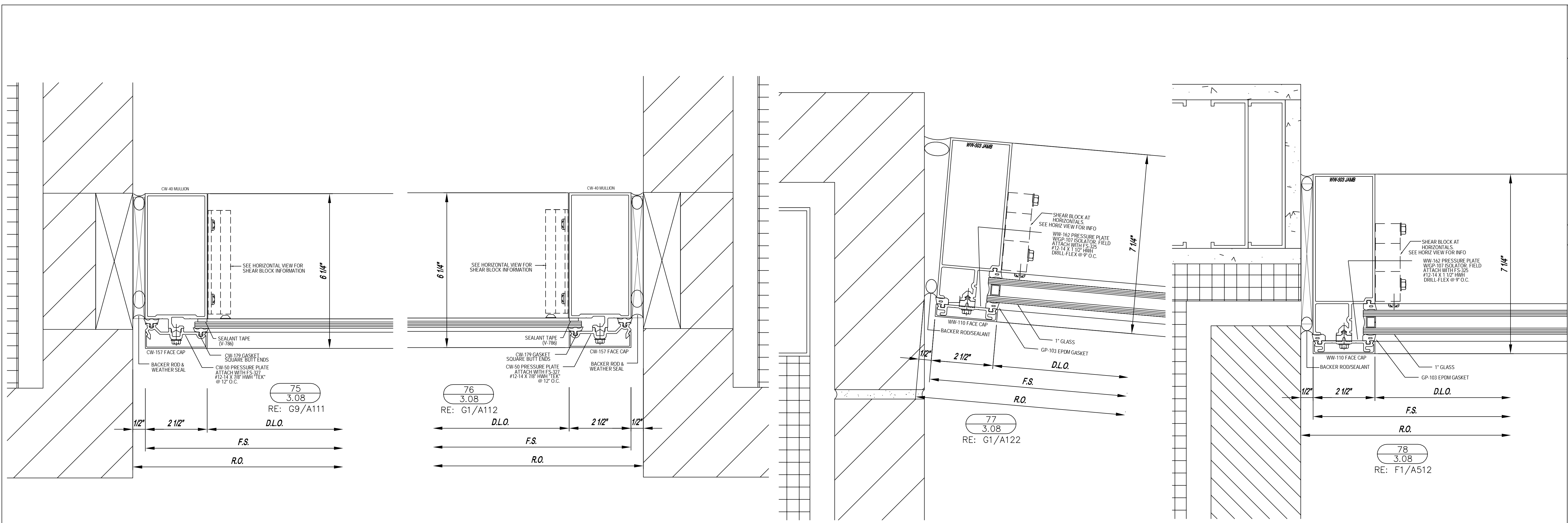
NO	DESCRIPTION	DATE
10/30/11	1ST. REVISION	8/11/11
	1ST. SUBMISSION	

PROJECT NAME AND ADDRESS

PROJECT NAME AND ADDRESS

DRAWN BY: GL	DATE: 8/11/11
CHECKED BY: CCW	DATE: 8/11/11
JOB NAME: PINE SHADOWS ELEMENTARY	
SHEET NO.: 3.07	

DRAWING SUBMISSION



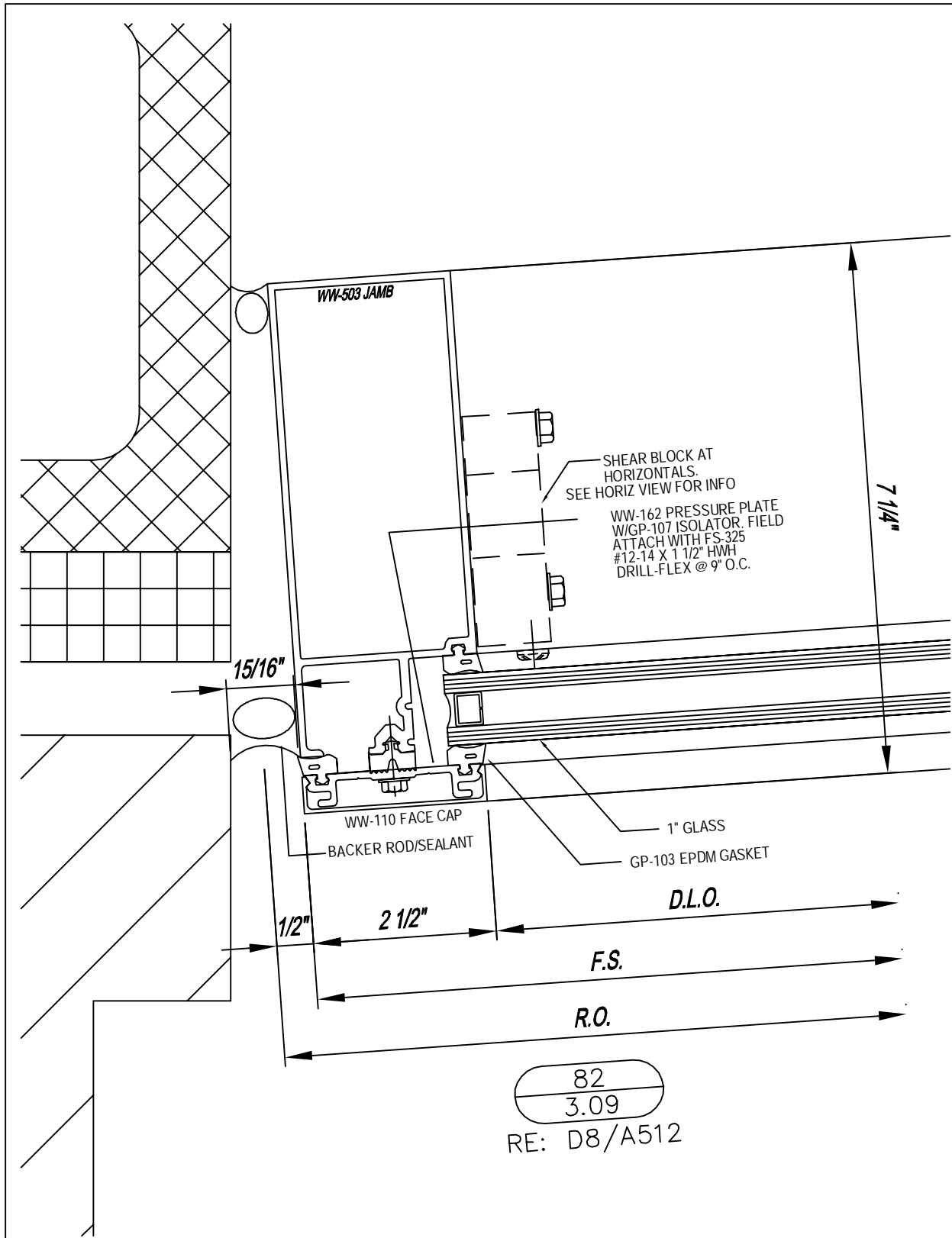
NO.	DESCRIPTION	DATE
10/30/11	1ST. REVISION	8/11/11
8/11/11	1ST. SUBMISSION	

PROJECT NAME AND ADDRESS

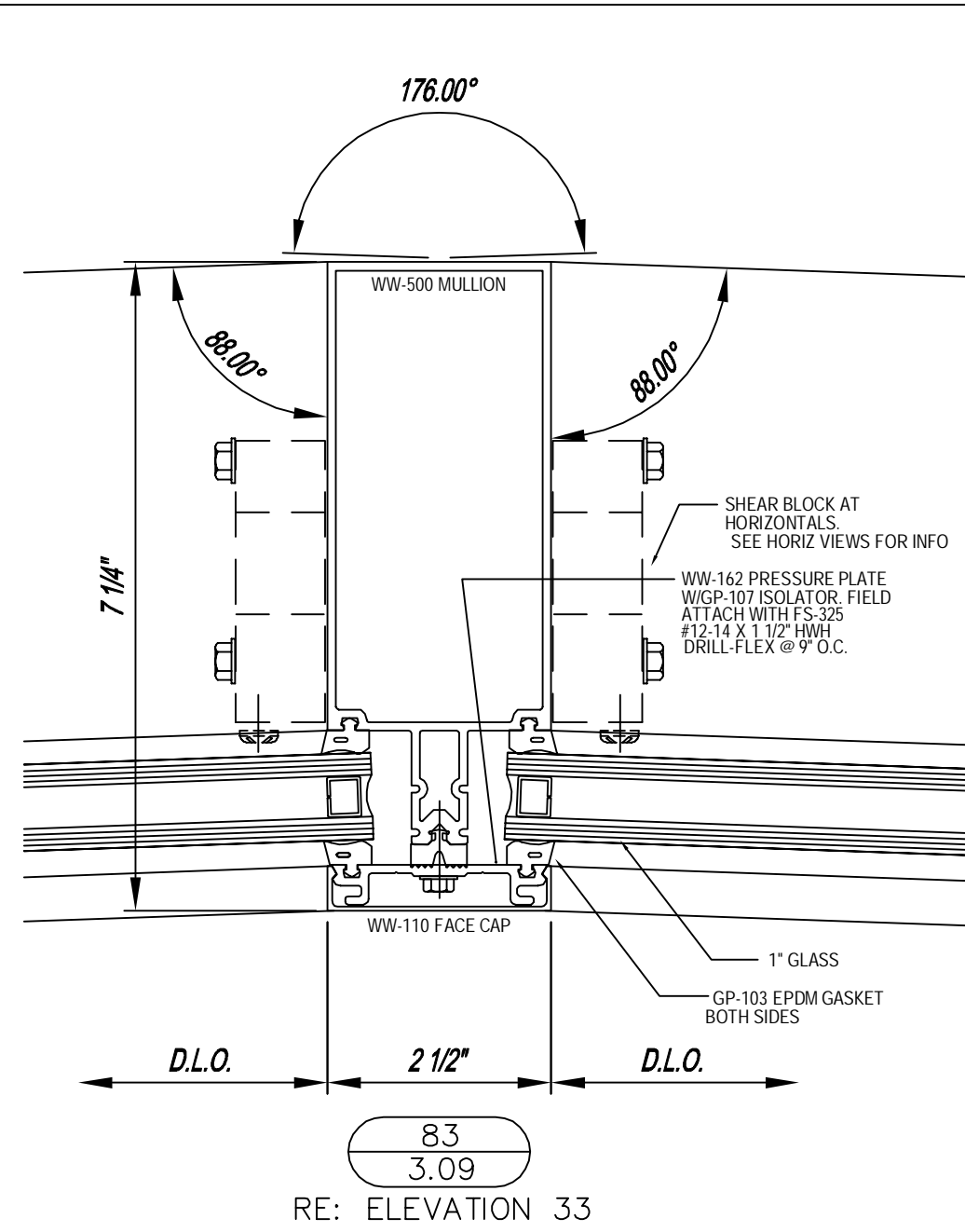
PROJECT: PROJECT NAME AND ADDRESS

DRAWN BY:	GL	DATE:	8/11/11
CHECKED BY:	CCW	DATE:	8/11/11
JOB NAME:	PINE SHADOWS ELEMENTARY		
SHEET NO.:	3.08		

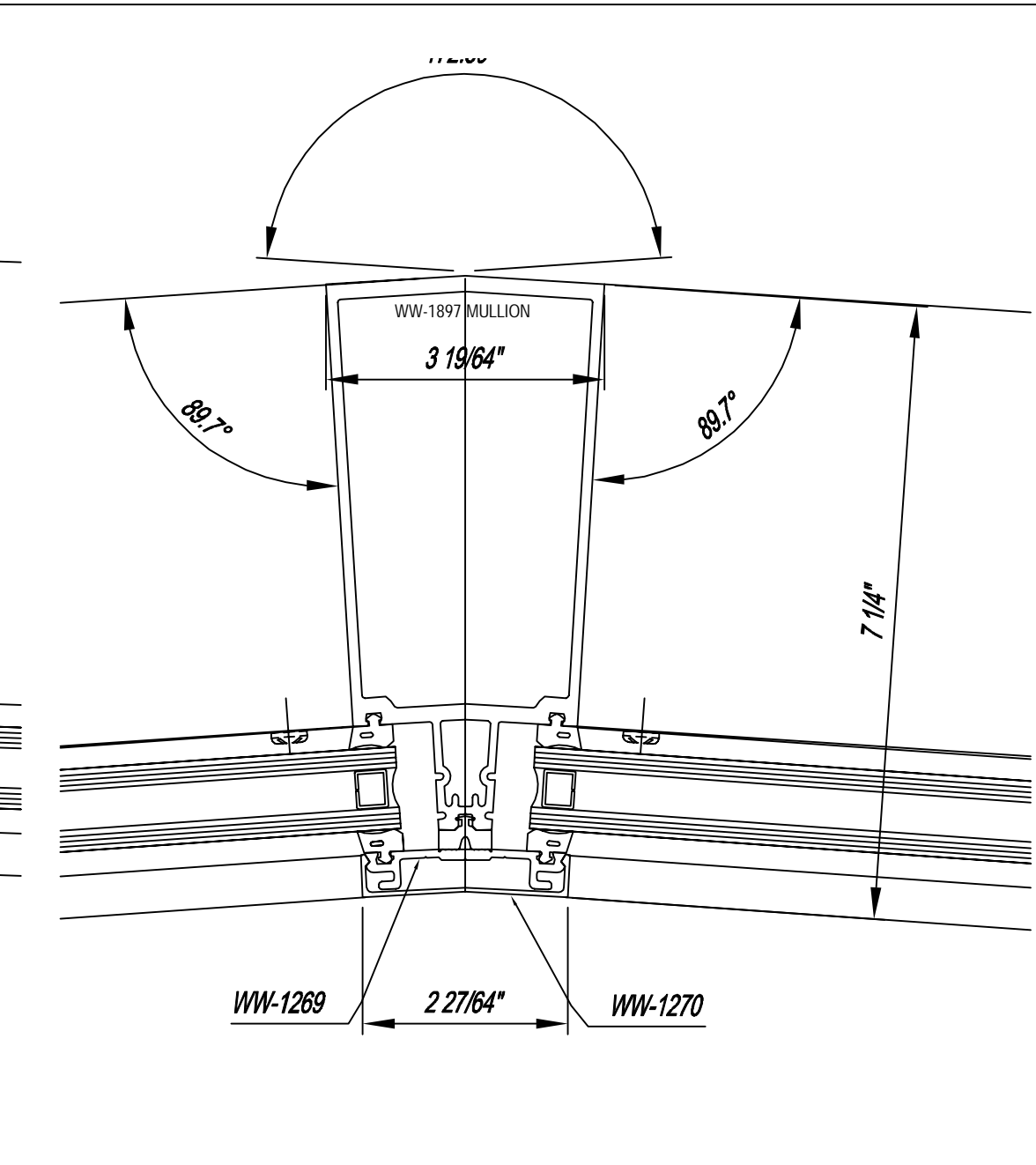
DRAWING SUBMISSION



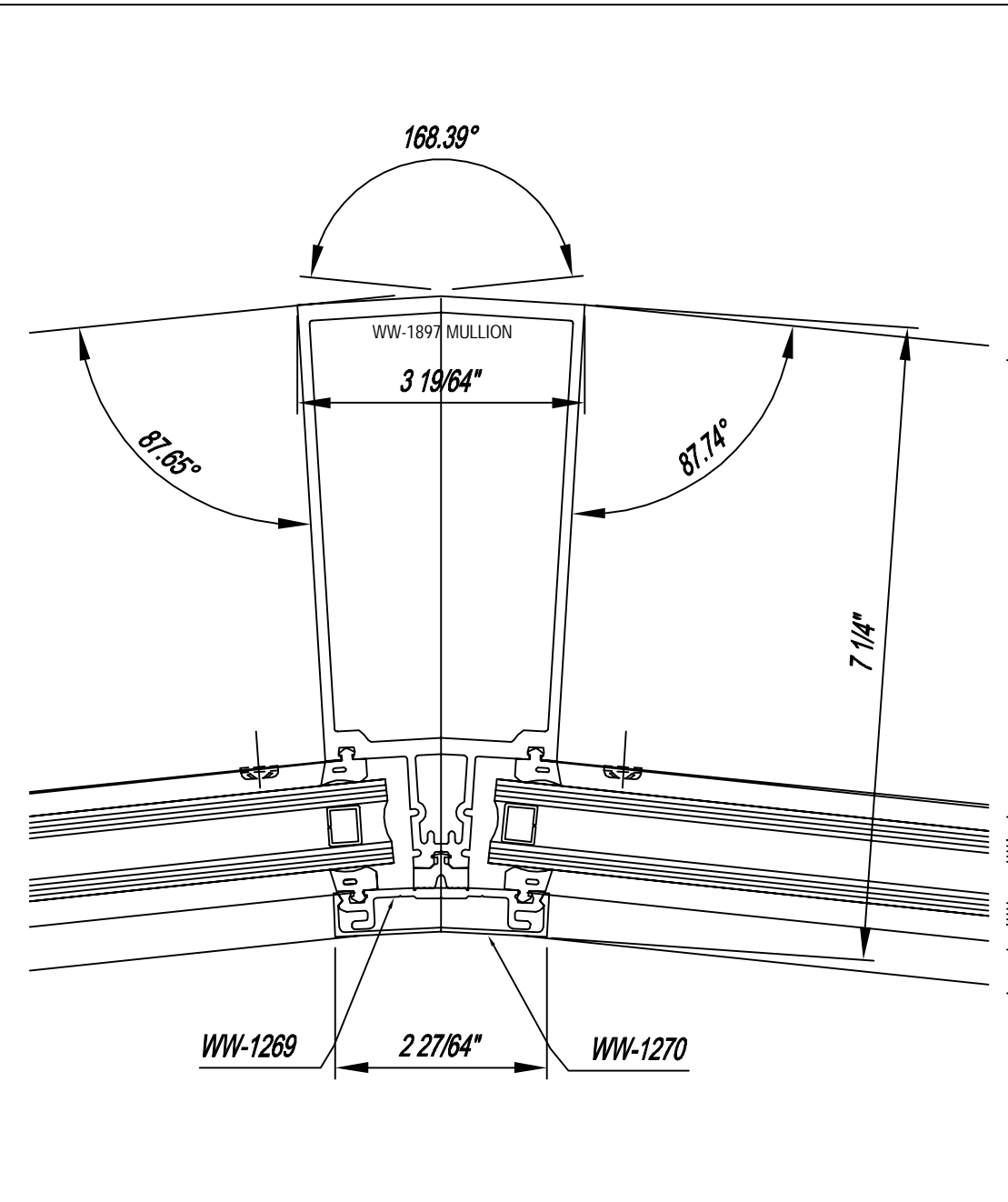
82
3.09
RE: D8/A512



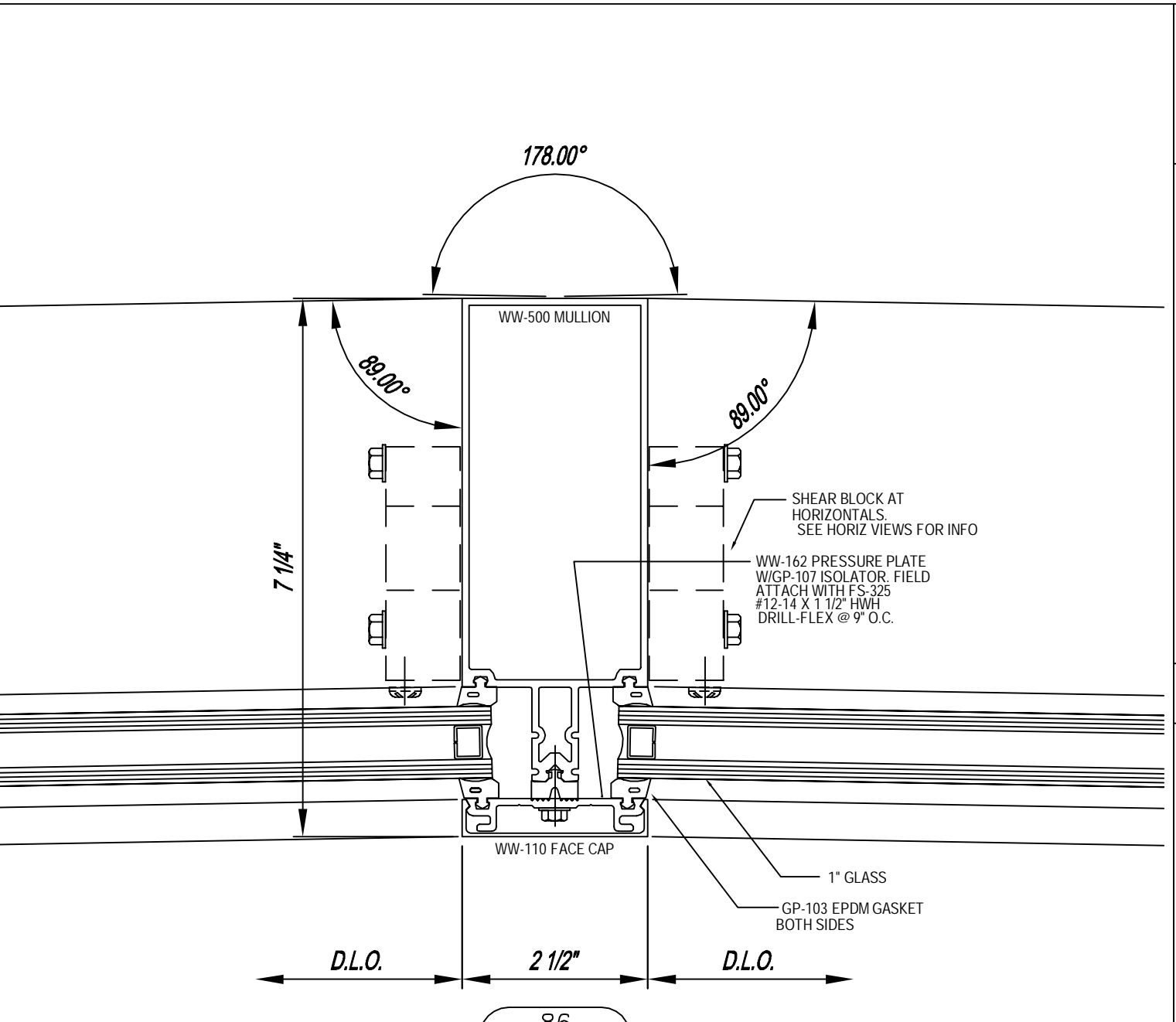
83
3.09
RE: ELEVATION 33



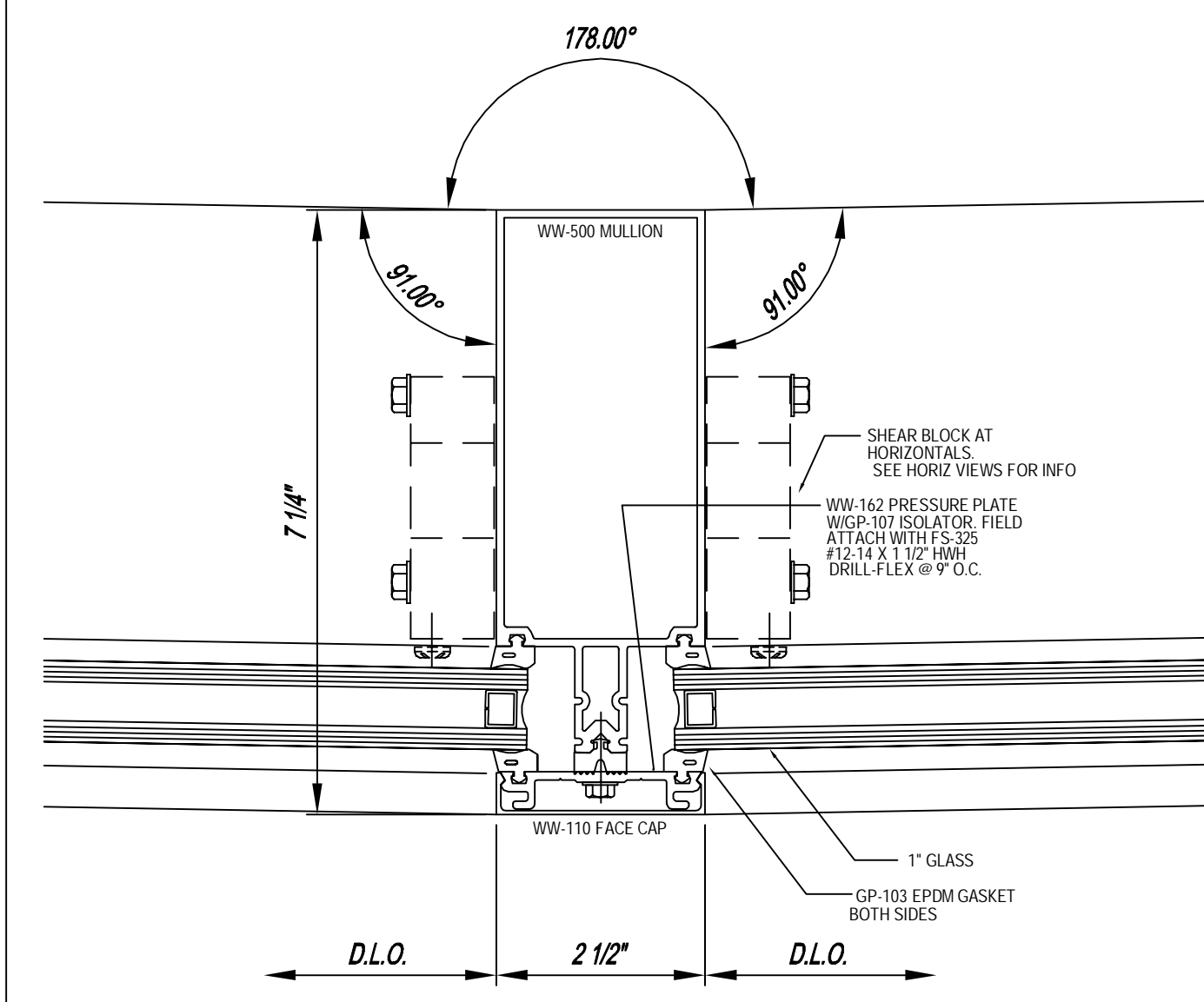
84
3.09
RE: ELEVATION 33



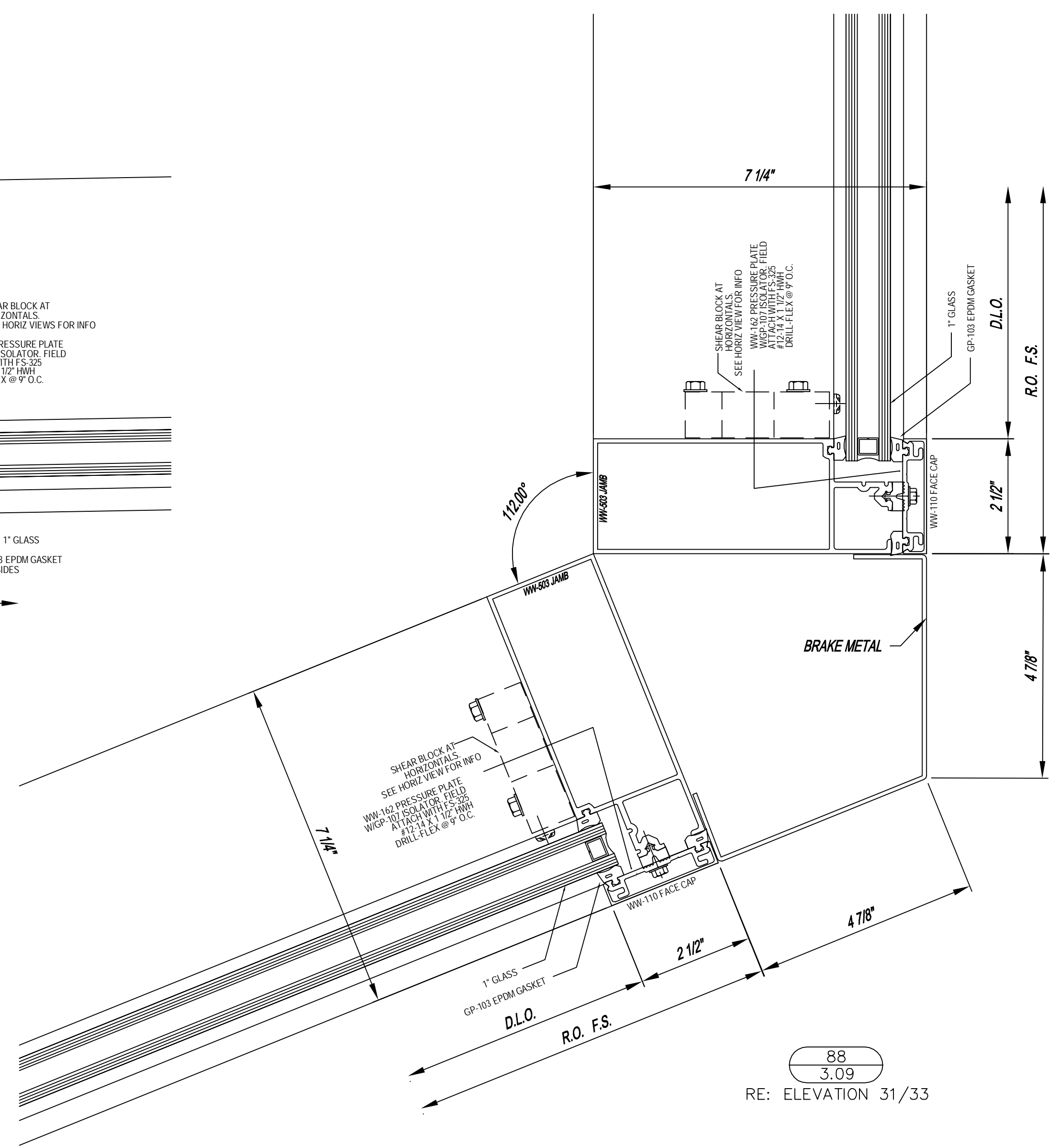
85
3.09
RE: ELEVATION 33



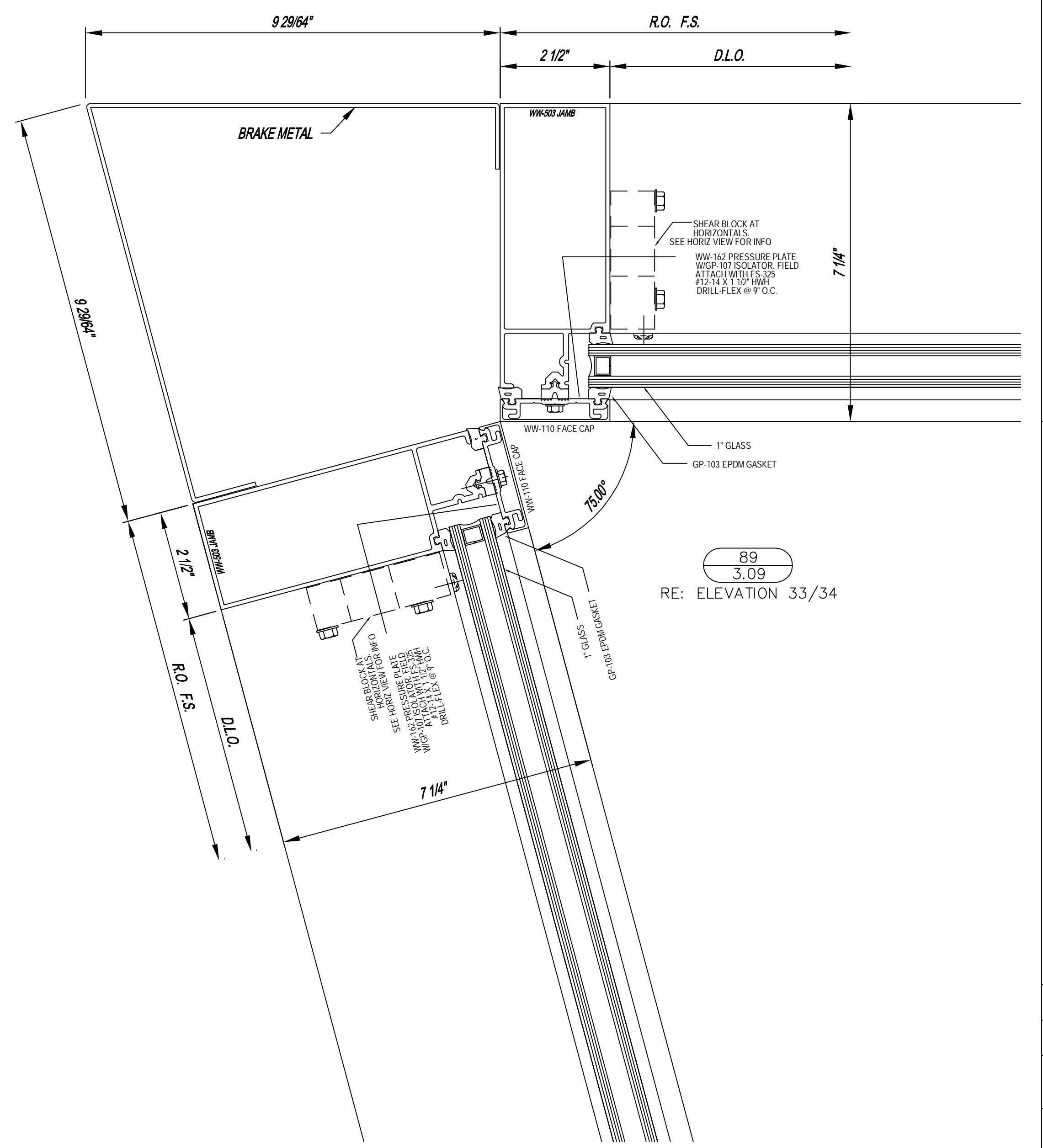
86
3.09
RE: ELEVATION 33



87
3.09
RE: ELEVATION 33



88
3.09
RE: ELEVATION 31/34



89
3.09
RE: ELEVATION 33/34

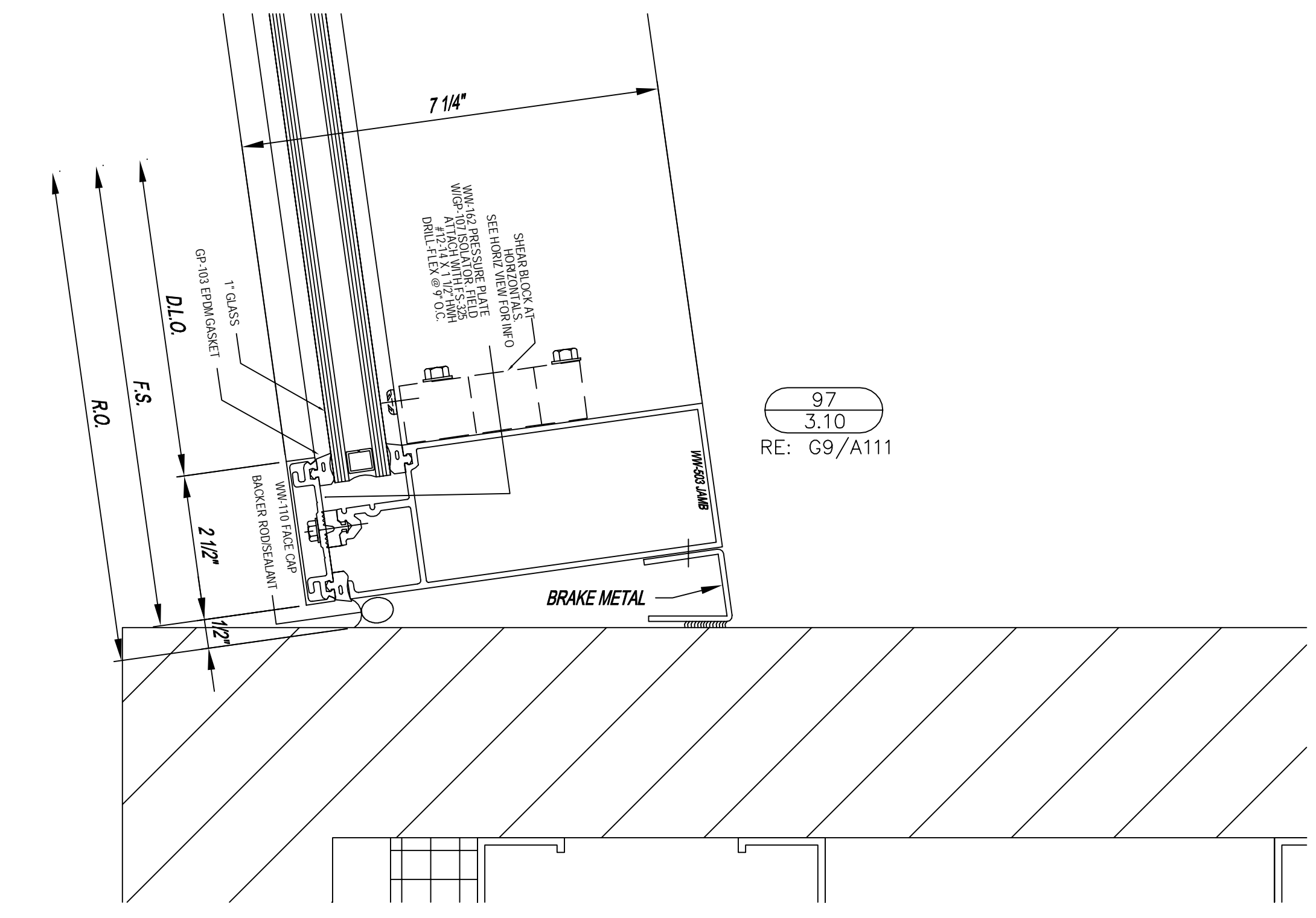
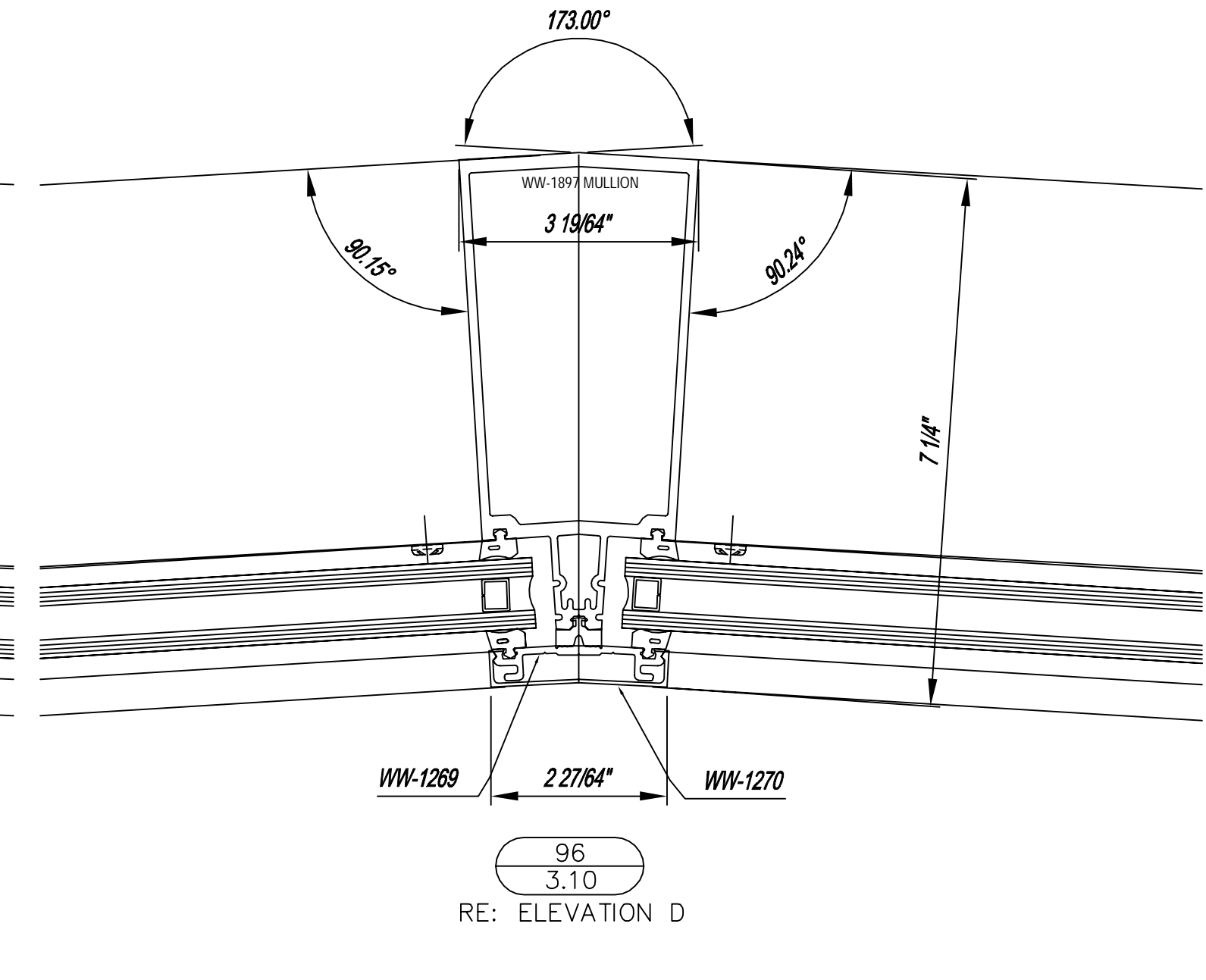
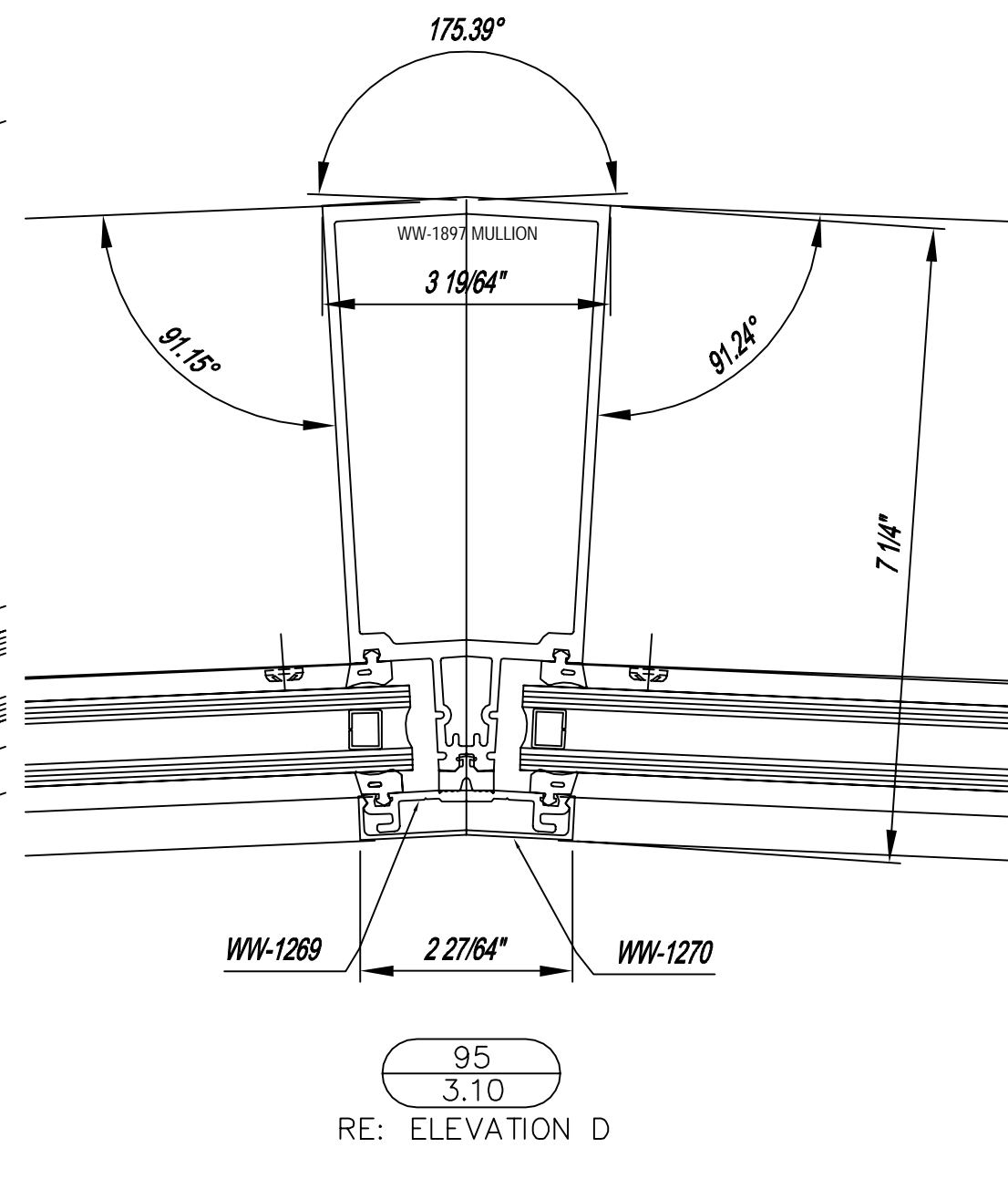
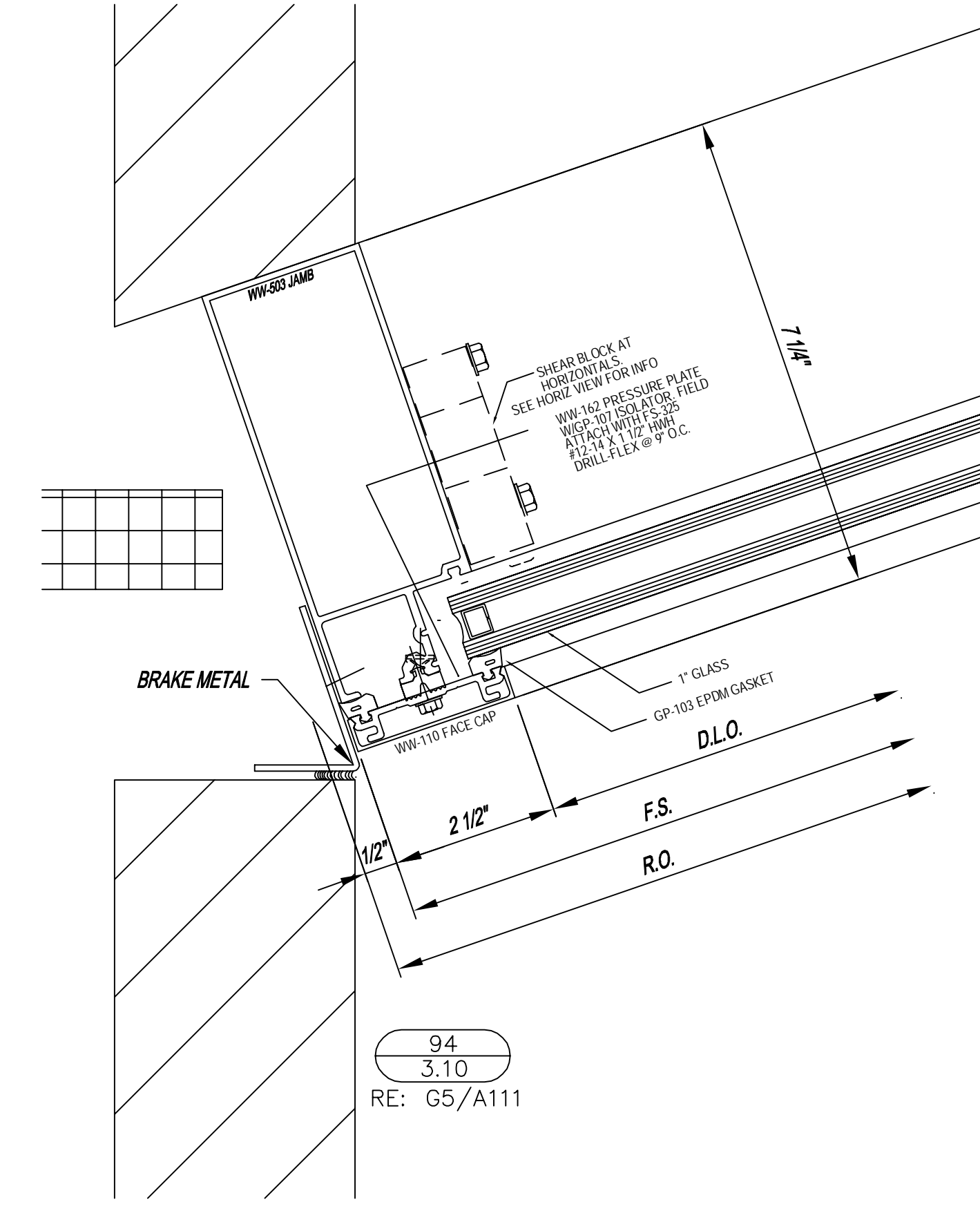
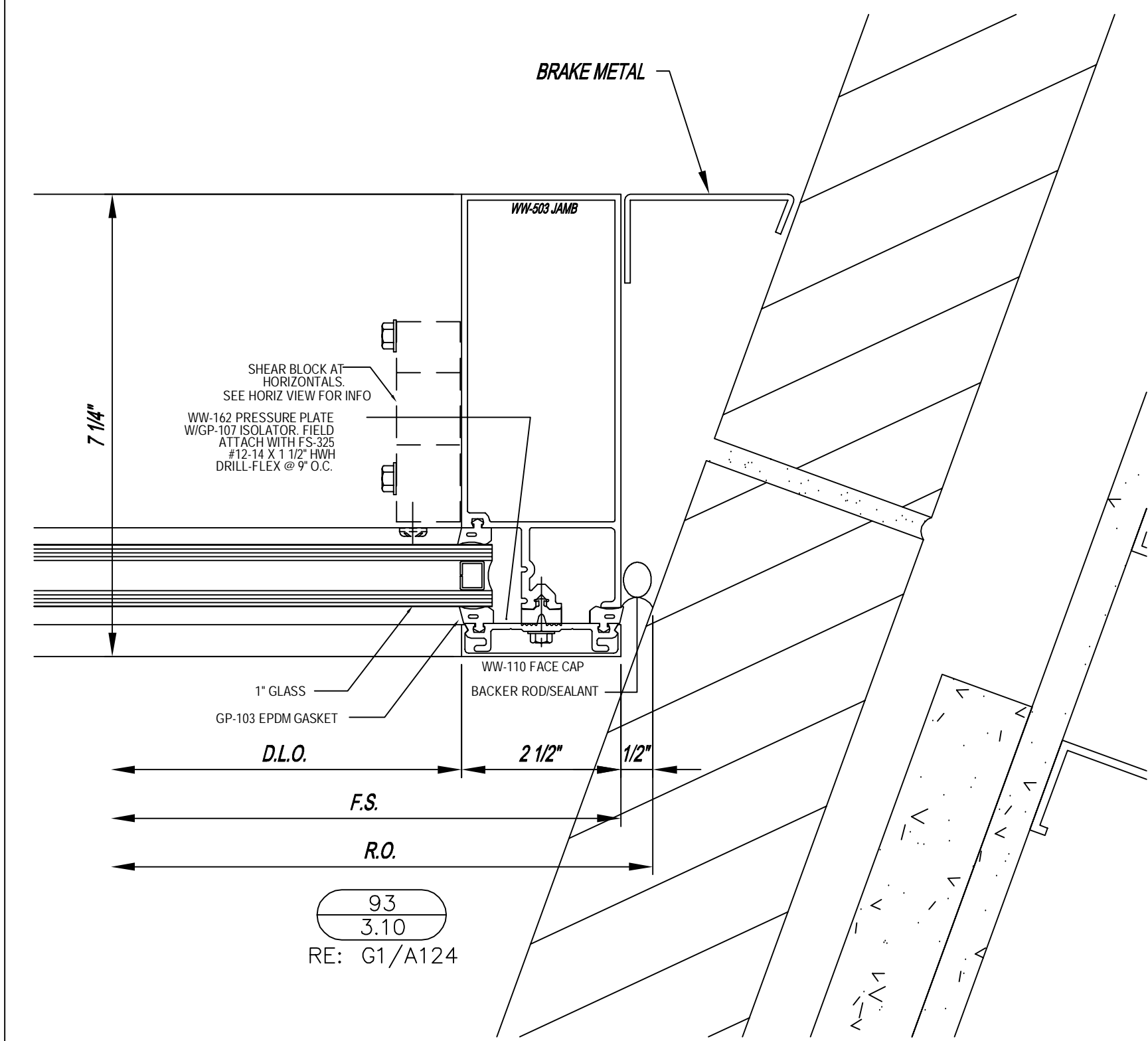
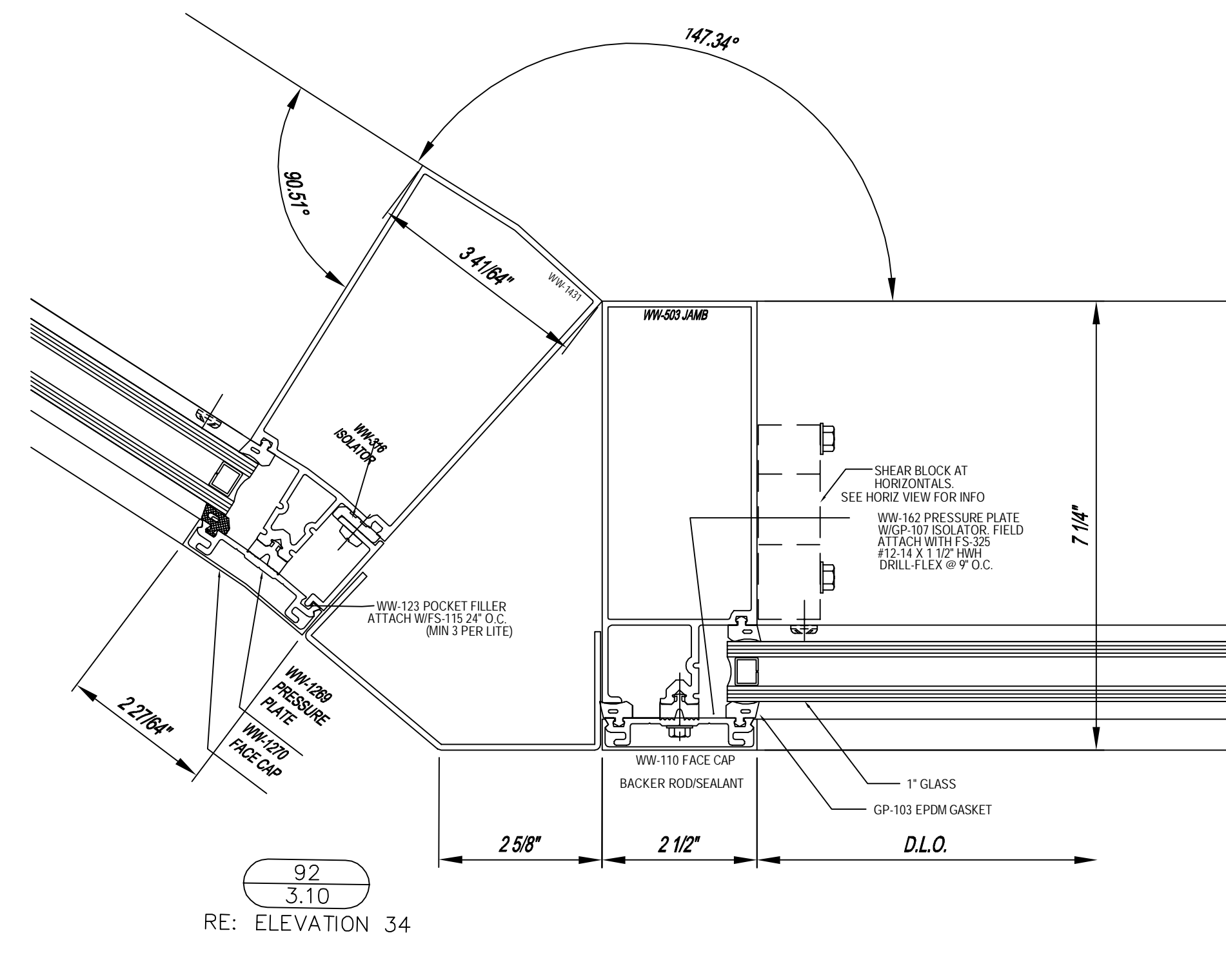
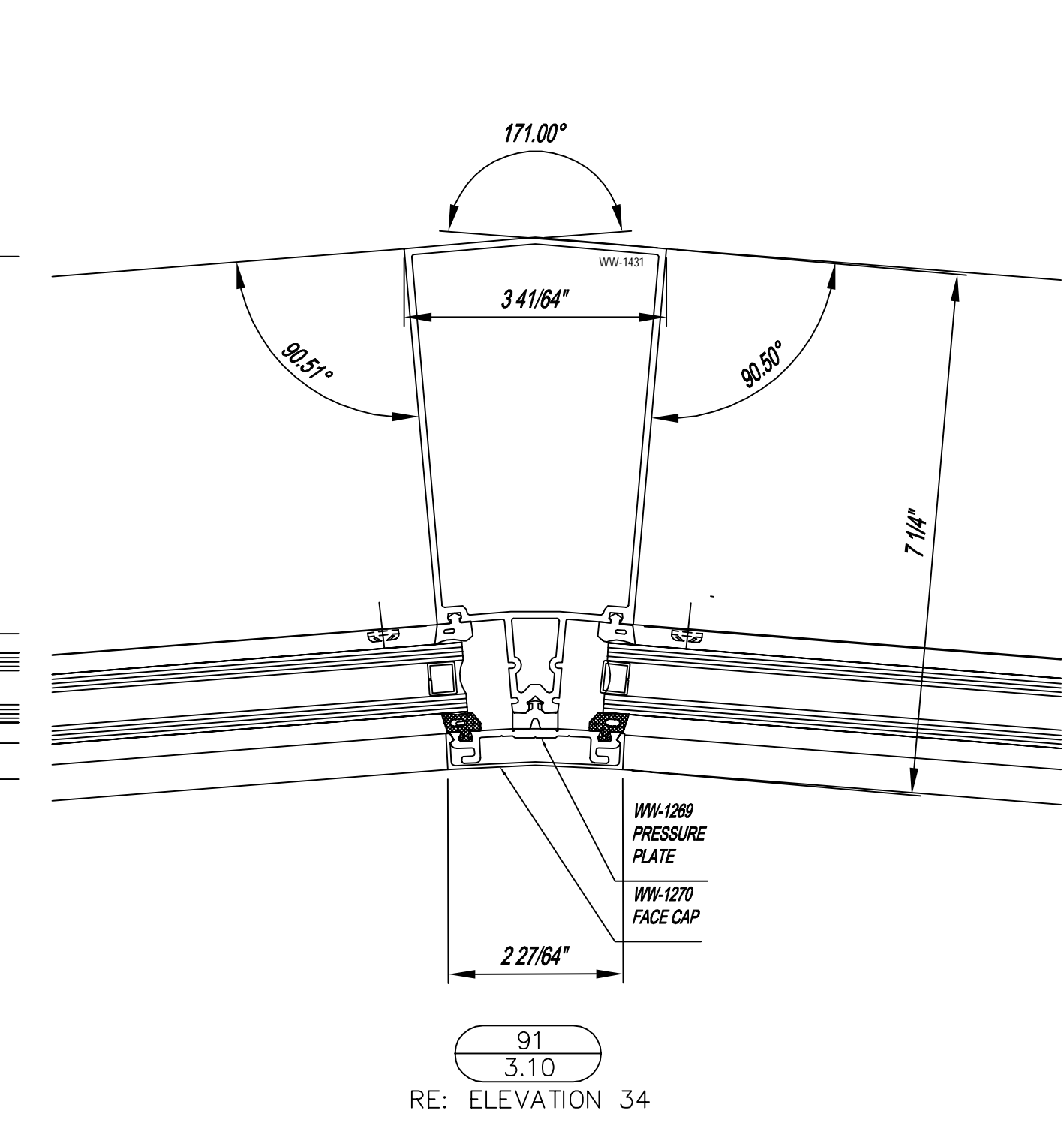
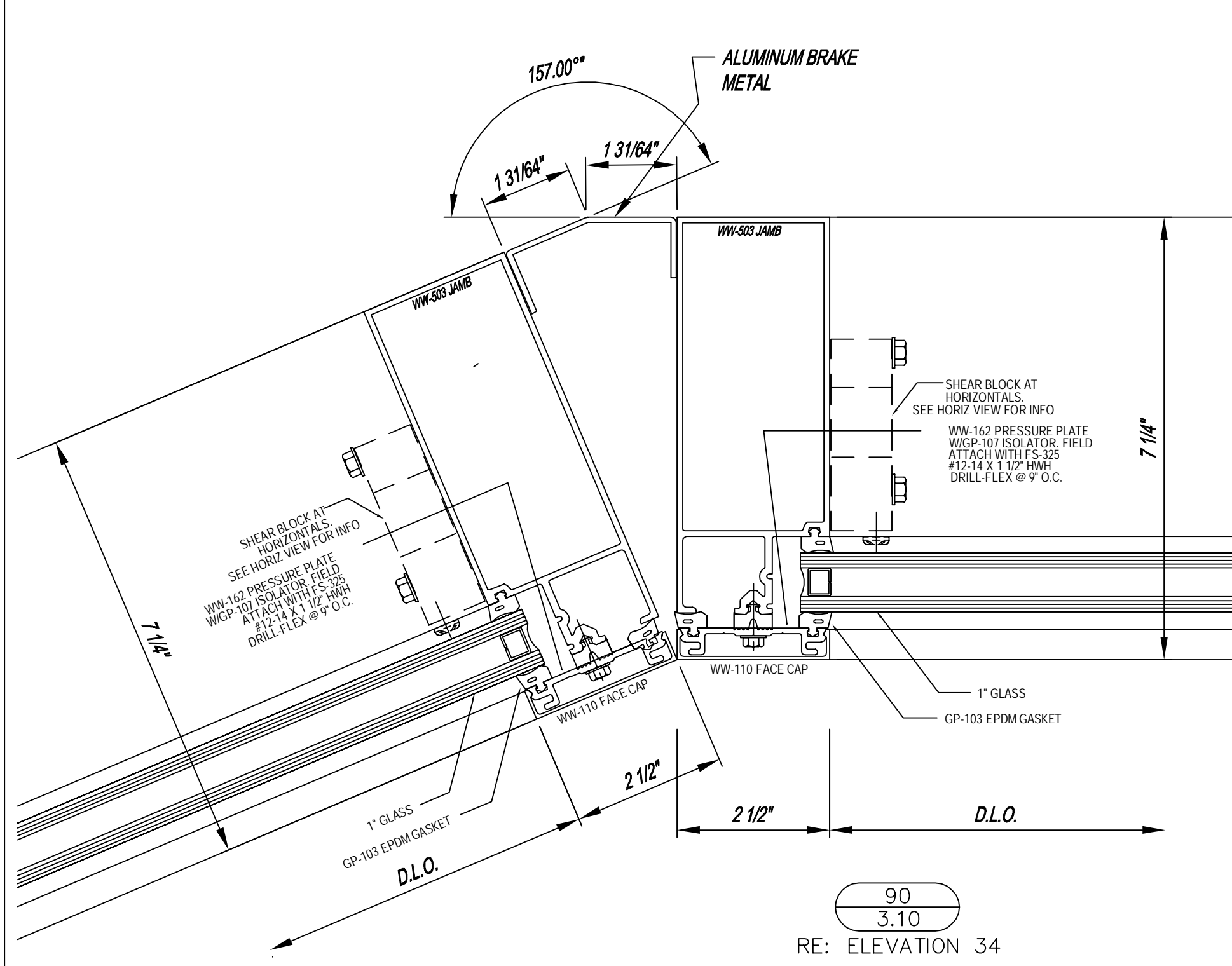
PROJECT NAME AND ADDRESS

PROJECT: PROJECT NAME AND ADDRESS

DRAWN BY: GL	DATE: 8/11/11
CHECKED BY: CCW	DATE: 8/11/11
JOB NAME: PINE SHADOWS ELEMENTARY	
SHEET NO.: 3.09	

10/30/11	DATE
8/11/11	DATE
1ST. SUBMISSION	DESCRIPTION
NO	NO

DRAWING SUBMISSION



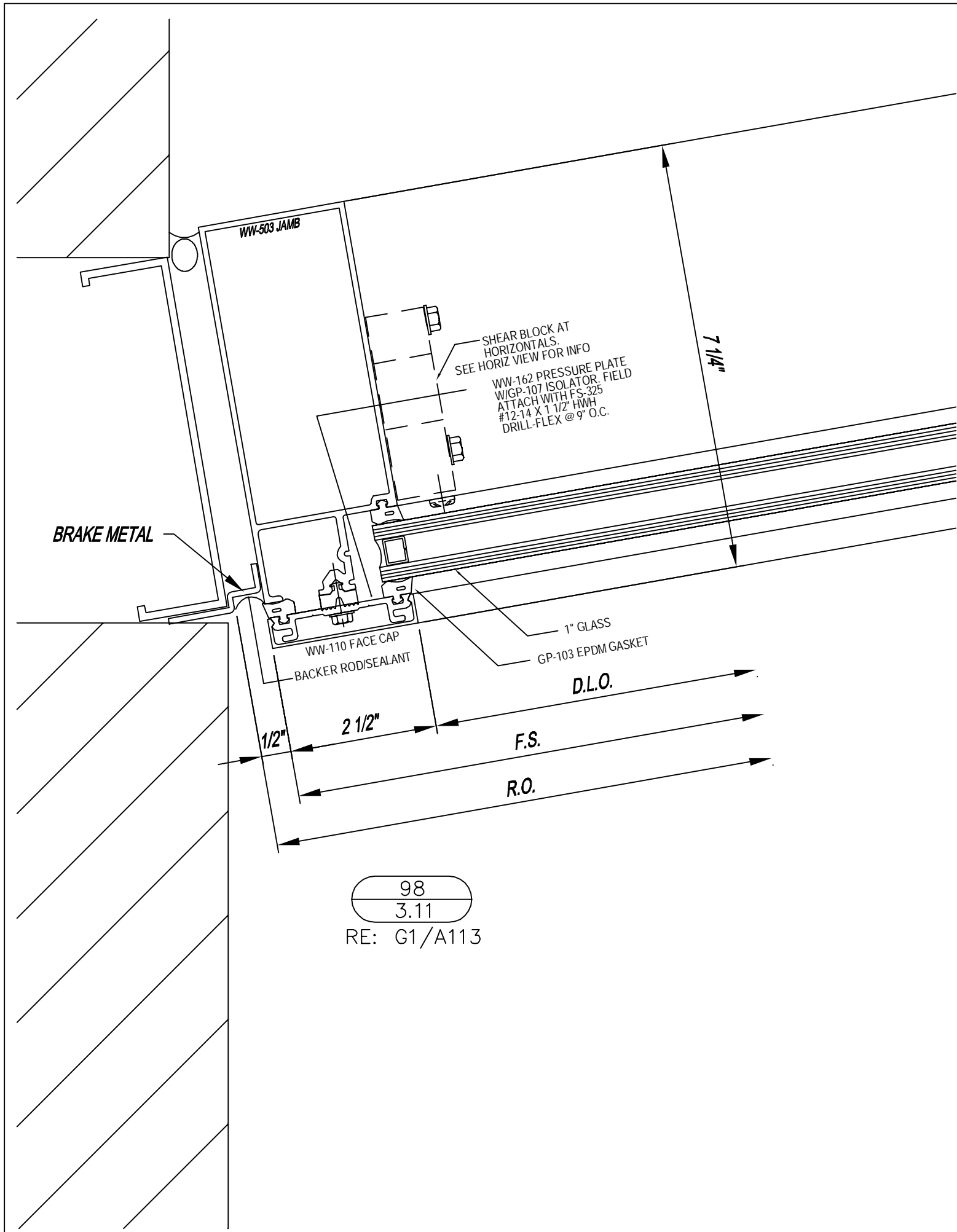
PROJECT NAME AND ADDRESS

PROJECT: PROJECT NAME AND ADDRESS

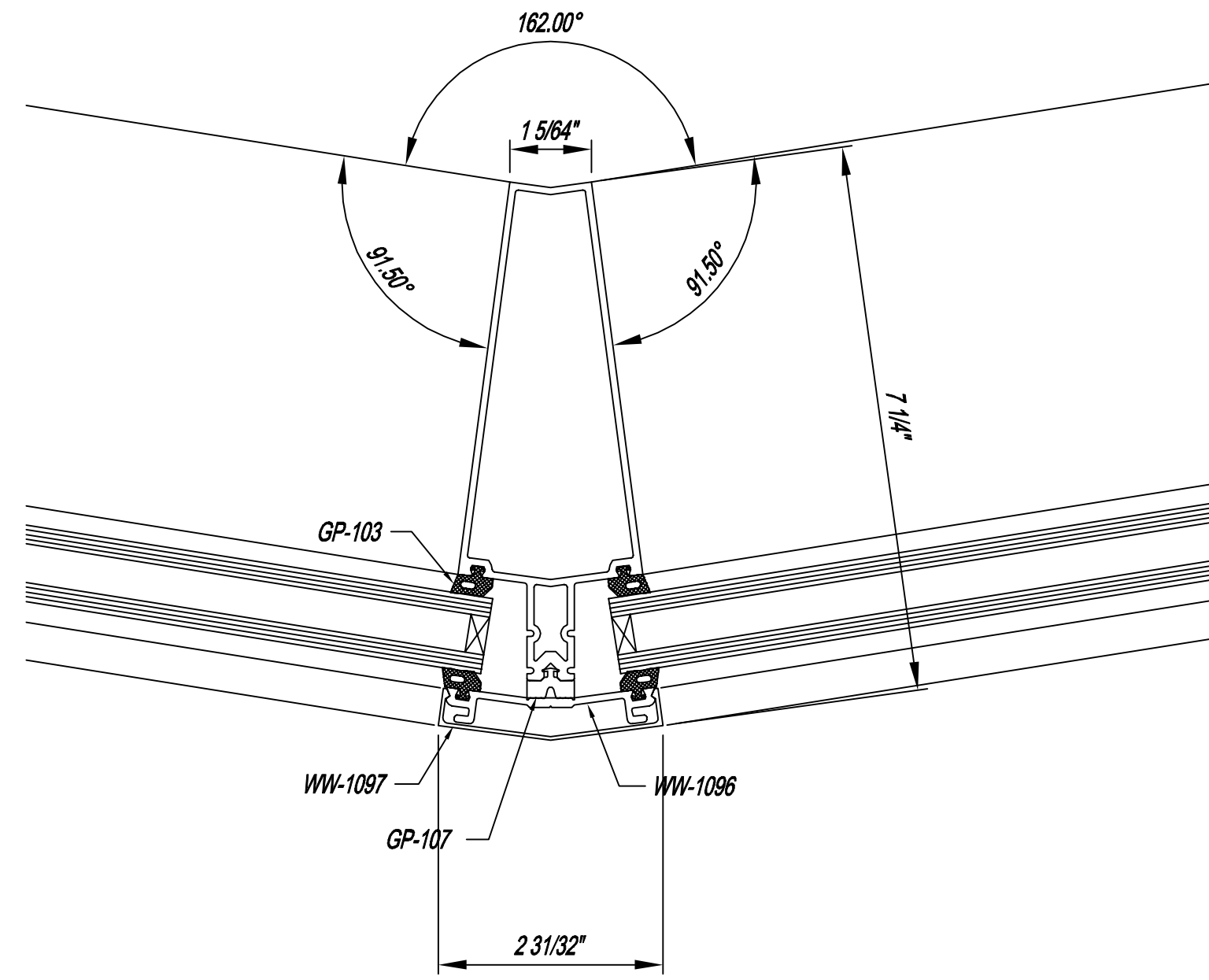
DRAWN BY: GL	DATE: 8/11/11
CHECKED BY: CCW	DATE: 8/11/11
JOB NAME: PINE SHADOWS ELEMENTARY	
SHEET NO.: 3.10	

NO.	DESCRIPTION	DATE
10/30/11	1ST. REVISION	10/30/11
8/11/11	1ST. SUBMISSION	8/11/11

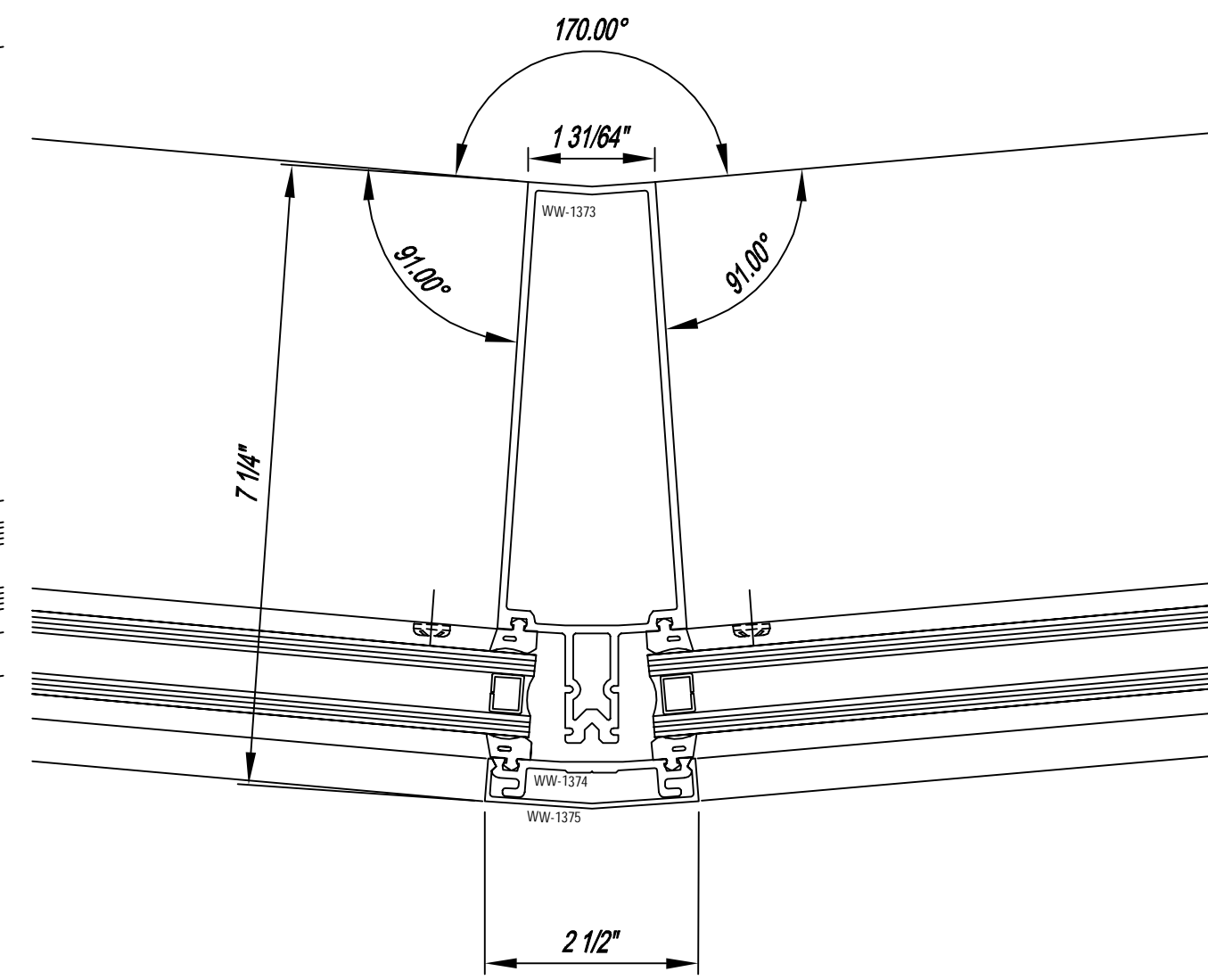
DRAWING SUBMISSION



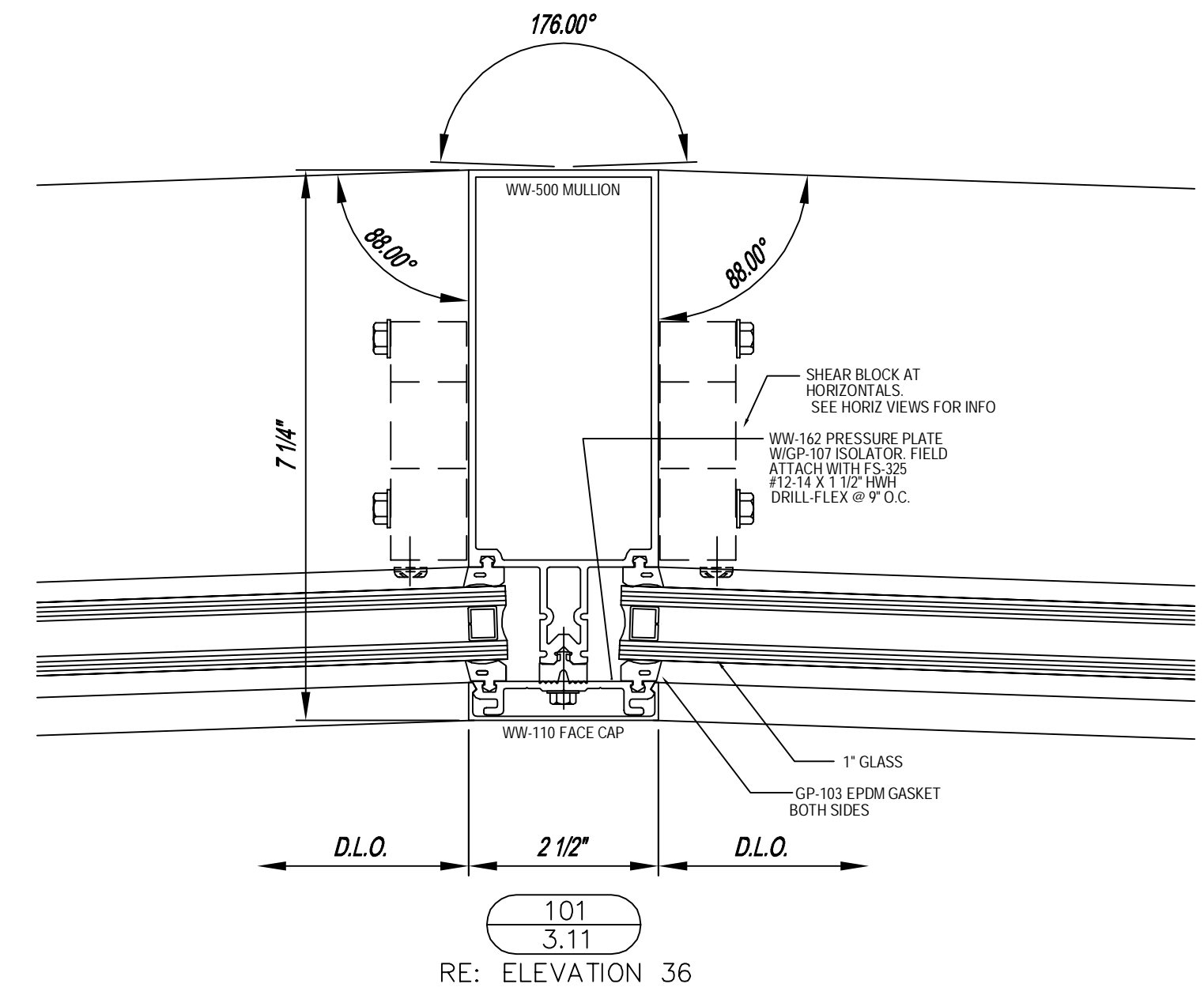
98
3.11
RE: G1/A113



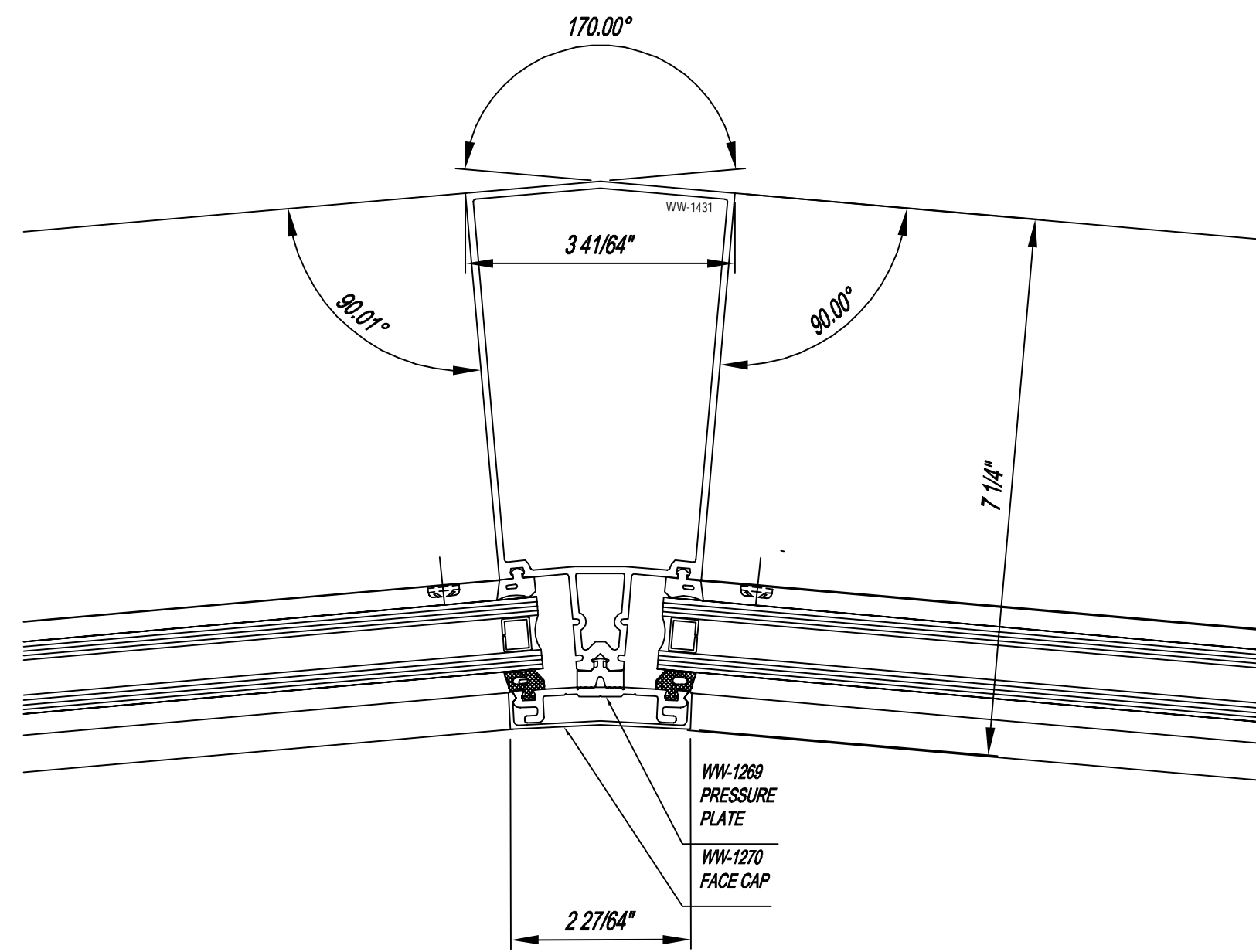
99
3.11
RE: ELEVATION 36



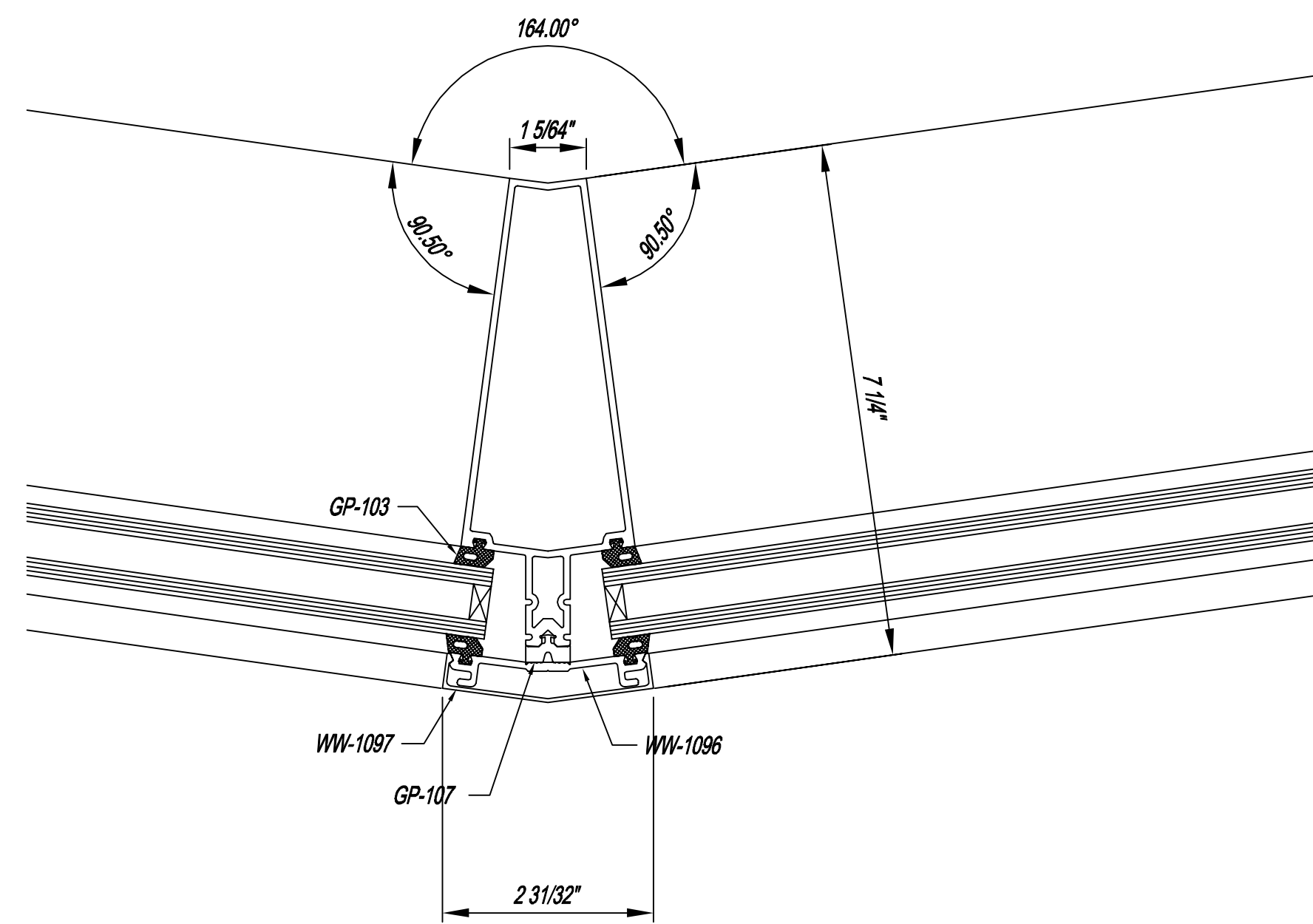
100
3.11
RE: ELEVATION 36



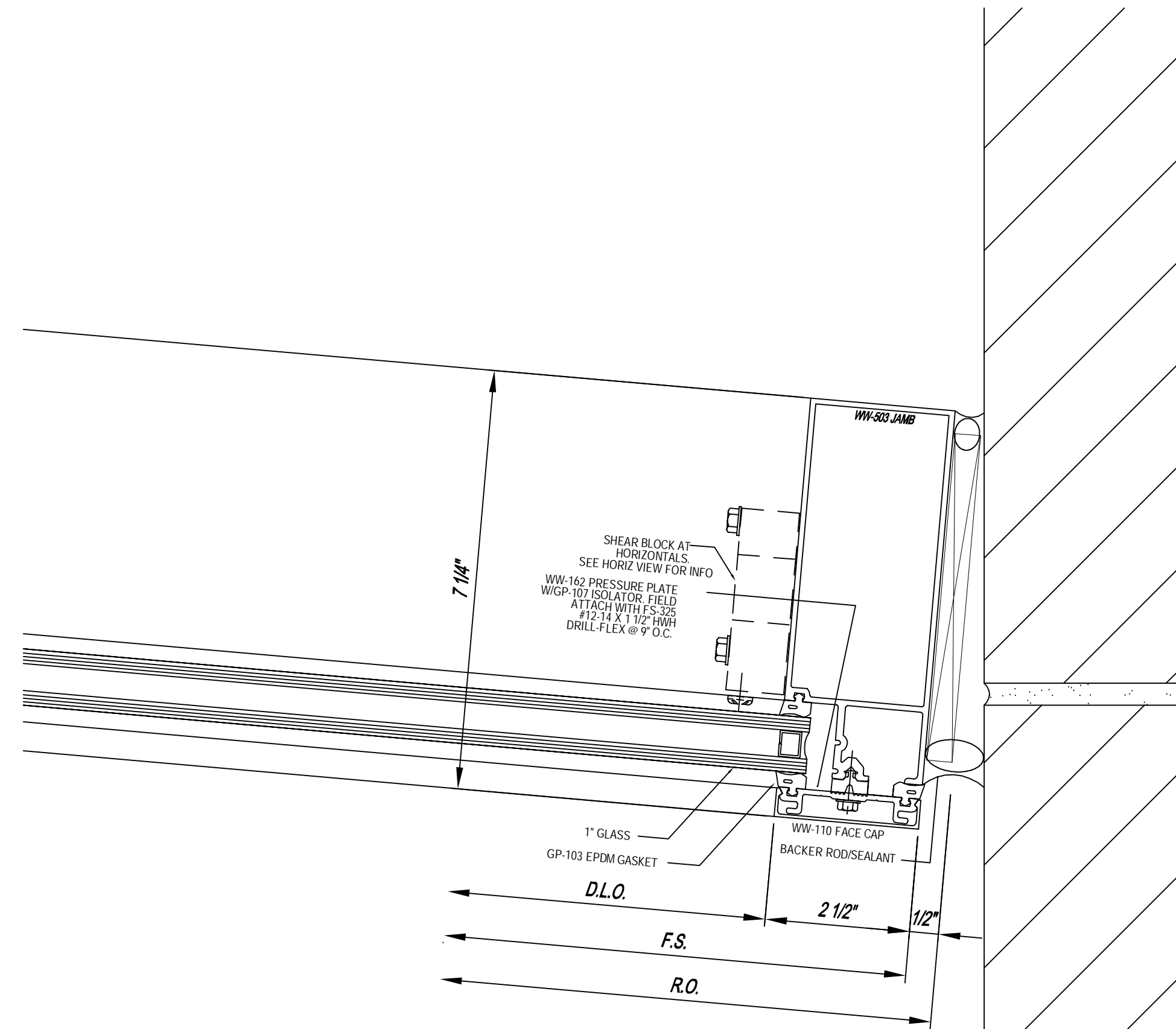
101
3.11
RE: ELEVATION 36



102
3.11
RE: ELEVATION 36



103
3.11
RE: ELEVATION 36



104
3.11
RE: G1/A111

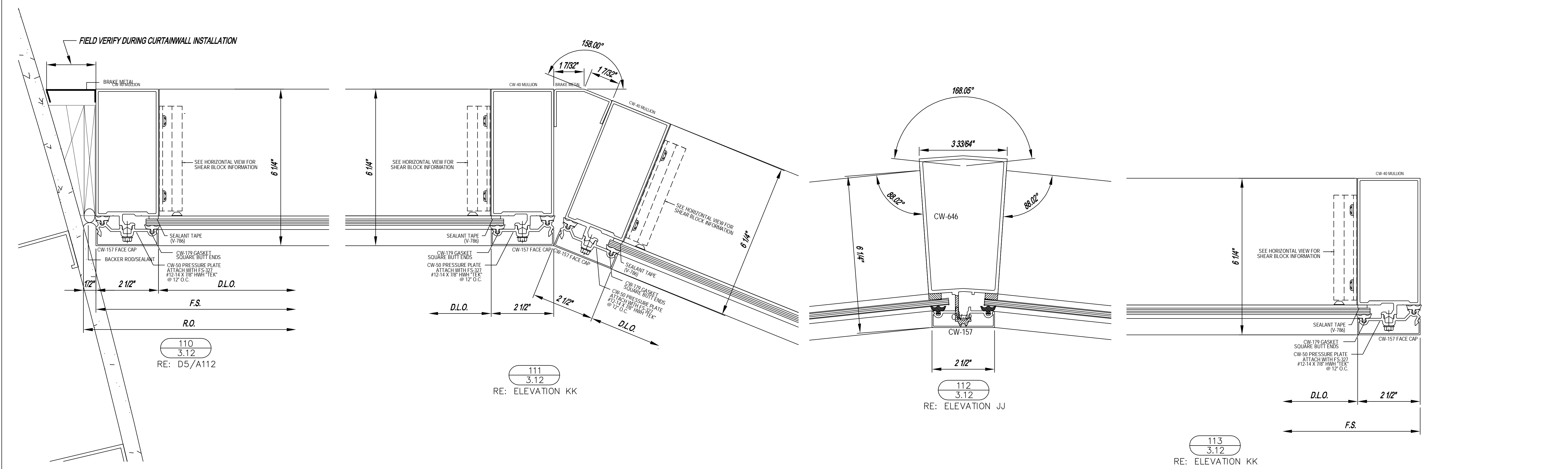
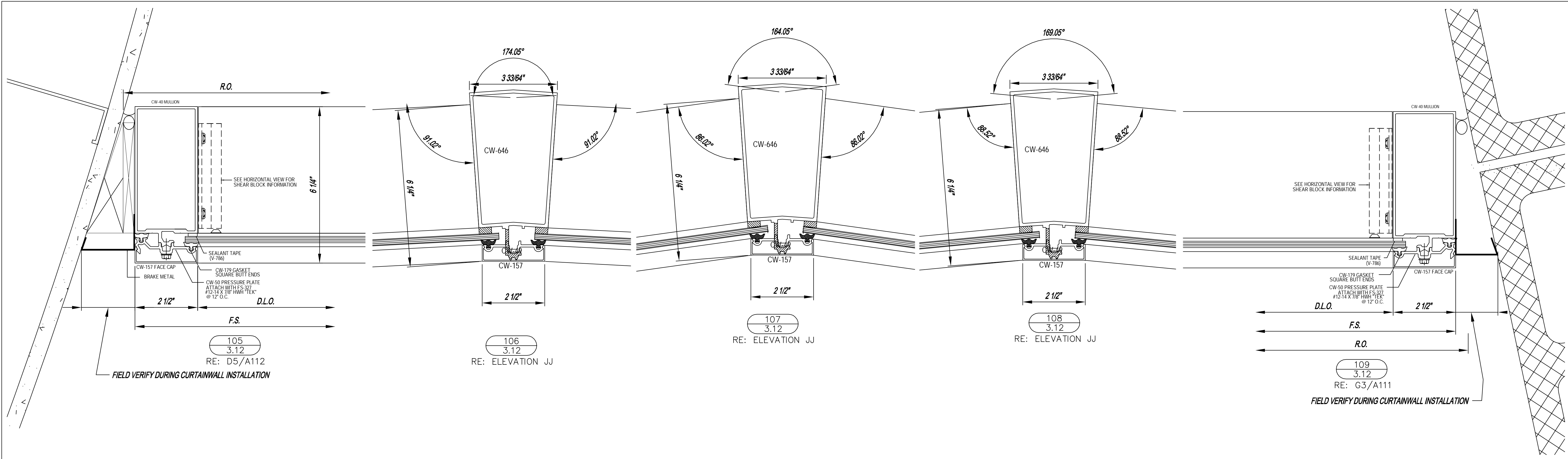
1	2	3	4	5	6	7	8	9	10	11	12	13	14	15	16	17	18	19	20	21	22	23	24	25	26	27	28	29	30	31	32	33	34	35	36	37	38	39	40	41	42	43	44	45	46	47	48	49	50	51	52	53	54	55	56	57	58	59	60	61	62	63	64	65	66	67	68	69	70	71	72	73	74	75	76	77	78	79	80	81	82	83	84	85	86	87	88	89	90	91	92	93	94	95	96	97	98	99	100
---	---	---	---	---	---	---	---	---	----	----	----	----	----	----	----	----	----	----	----	----	----	----	----	----	----	----	----	----	----	----	----	----	----	----	----	----	----	----	----	----	----	----	----	----	----	----	----	----	----	----	----	----	----	----	----	----	----	----	----	----	----	----	----	----	----	----	----	----	----	----	----	----	----	----	----	----	----	----	----	----	----	----	----	----	----	----	----	----	----	----	----	----	----	----	----	----	----	----	-----

NO.	DESCRIPTION	DATE
10/30/11	1ST. REVISION	8/11/11
8/11/11	1ST. SUBMISSION	

PROJECT NAME AND ADDRESS

PROJECT: PROJECT NAME AND ADDRESS

DRAWN BY:	GL	DATE:	8/11/11
CHECKED BY:	CCW	DATE:	8/11/11
JOB NAME:	PINE SHADOWS ELEMENTARY		
SHEET NO.:	3.11		



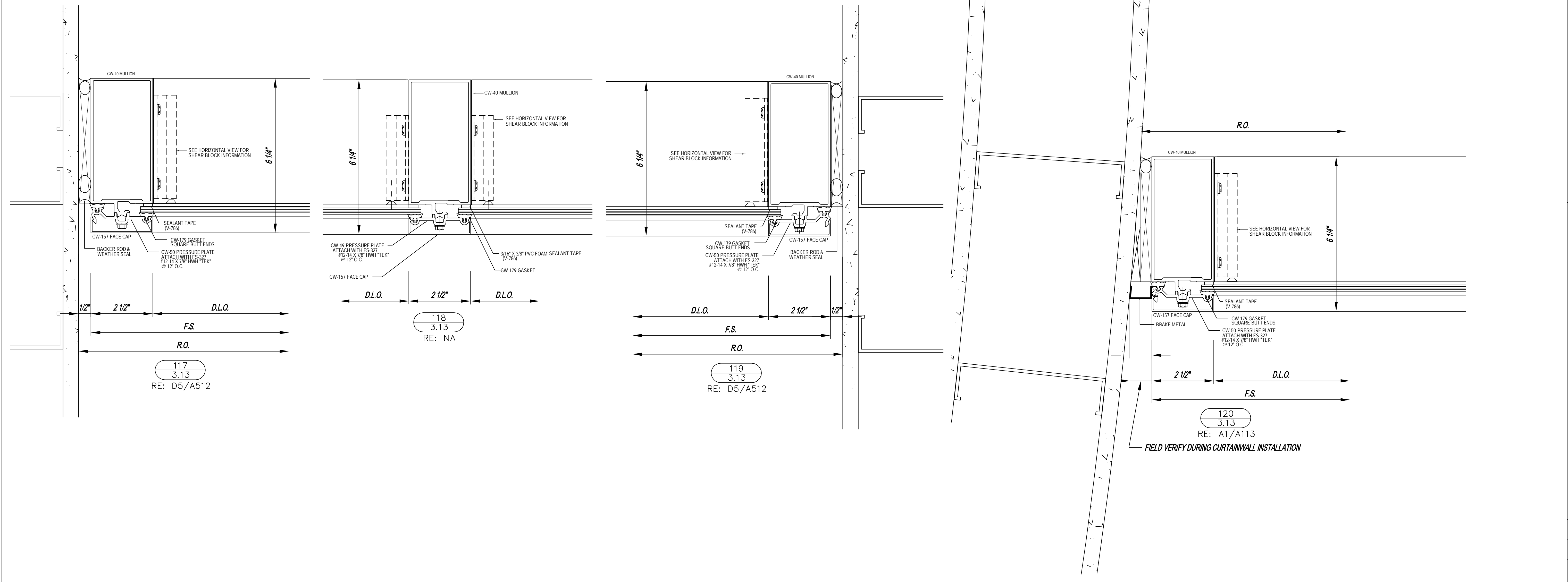
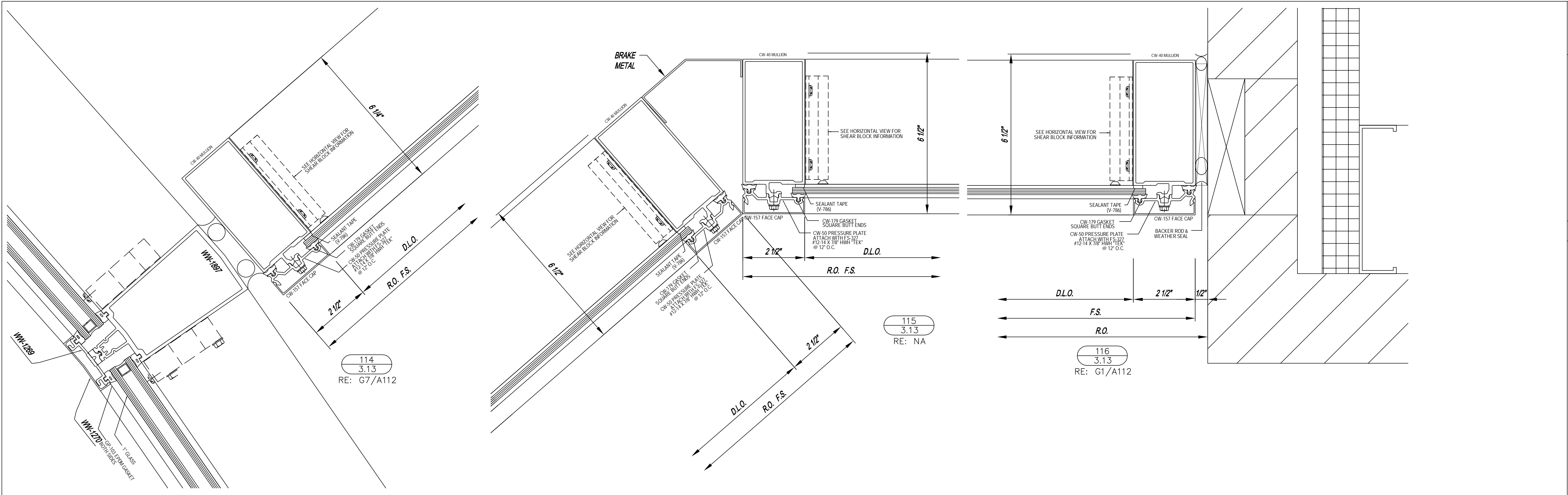
NO.	DESCRIPTION	DATE
103/00/11	1ST. REVISION	8/11/11
104/00/11	1ST. SUBMISSION	8/11/11

PROJECT NAME AND ADDRESS

PROJECT: PROJECT NAME AND ADDRESS

ARCHITECT:	CUSTOMER:
GL	8/11/11
CCW	8/11/11
JOB NAME:	
PINE SHADOWS ELEMENTARY	
SHEET NO.:	
3.12	

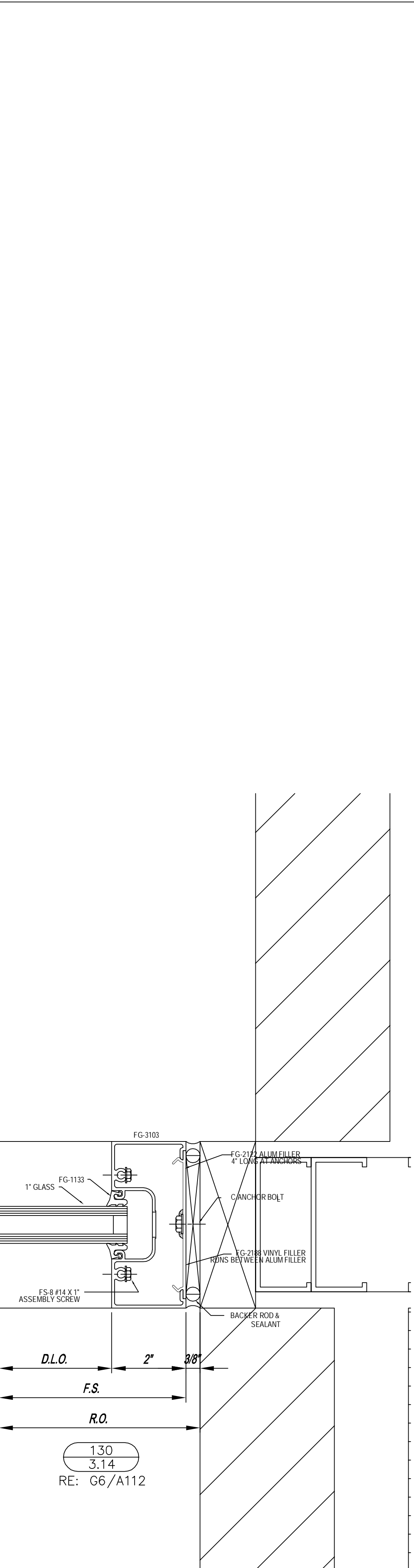
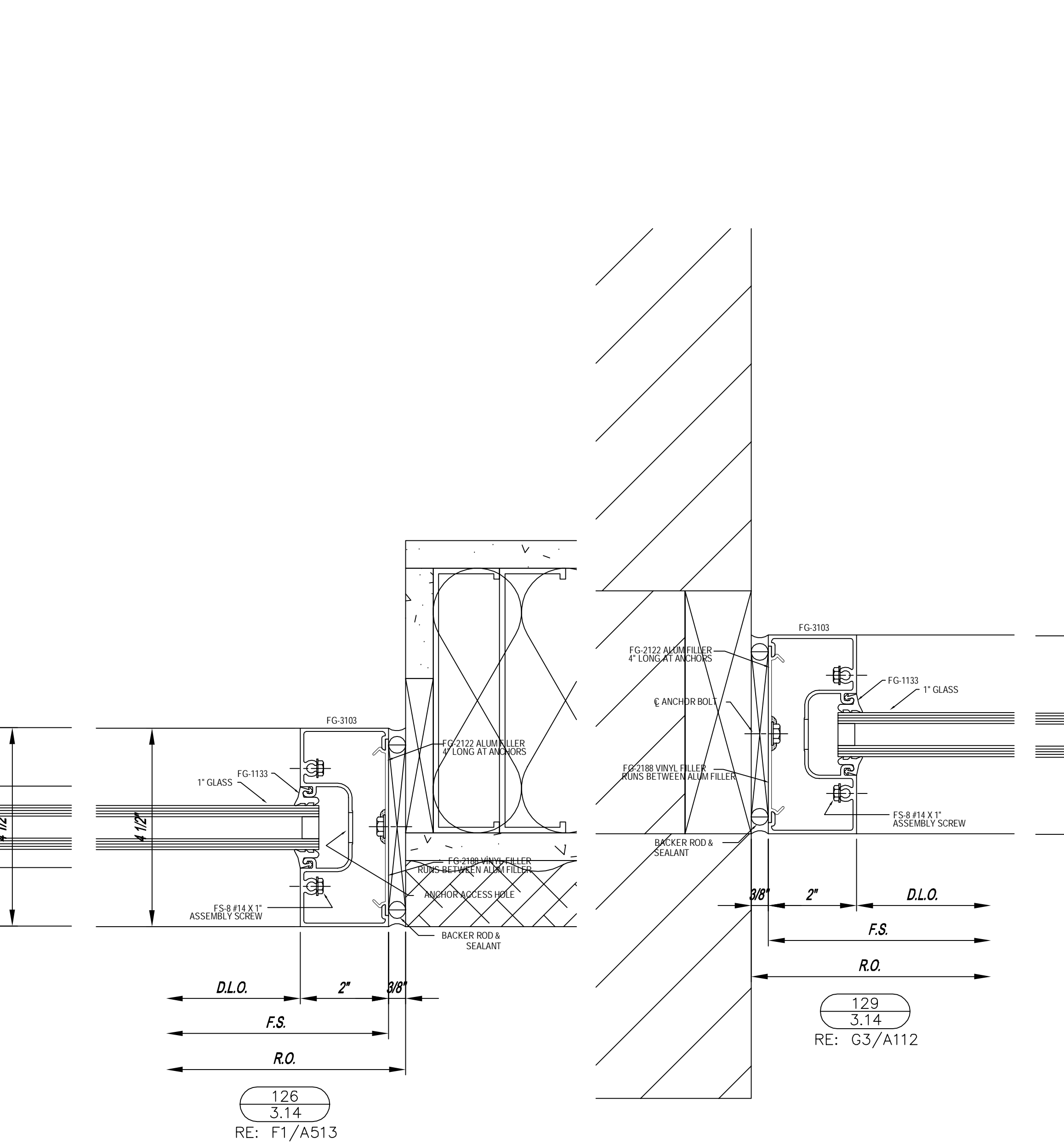
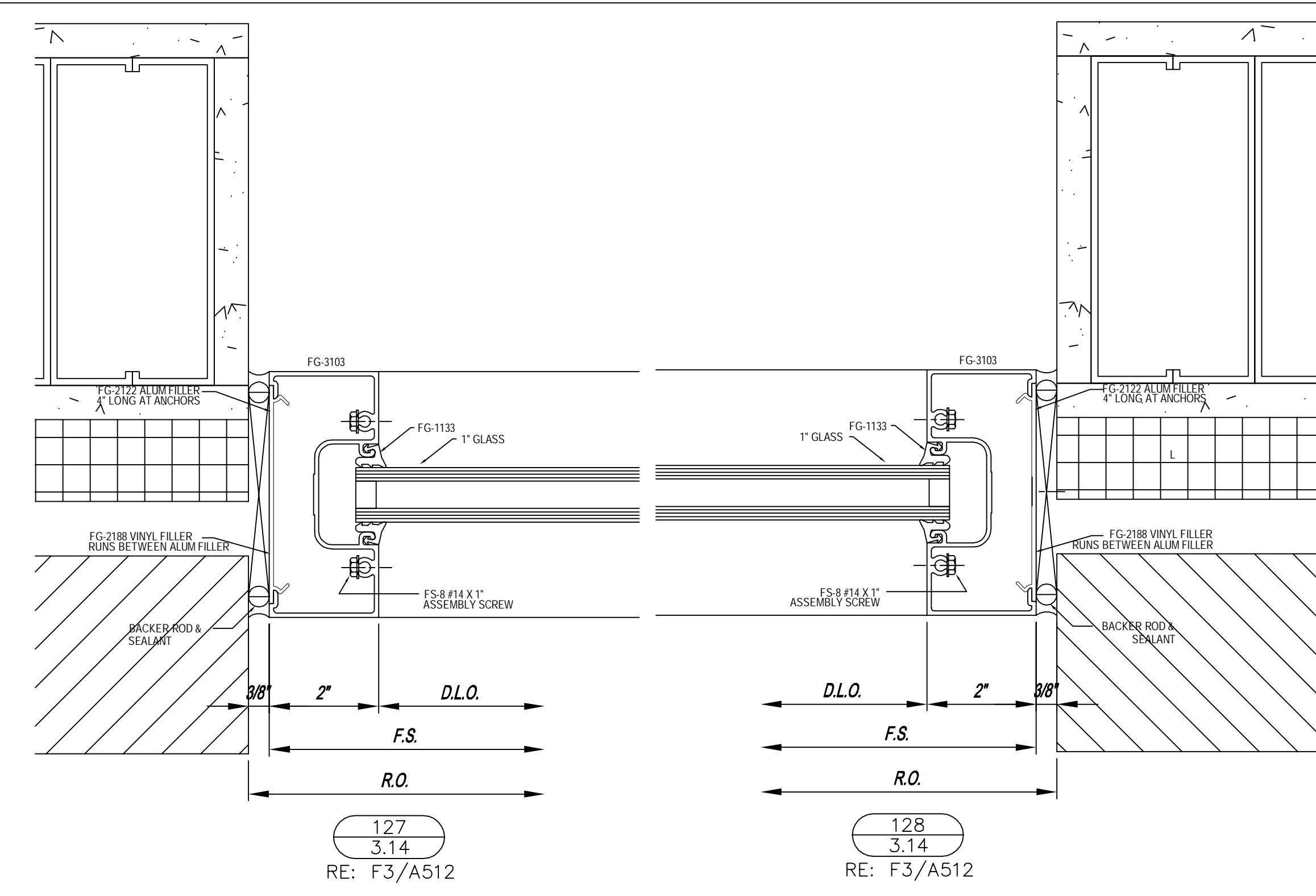
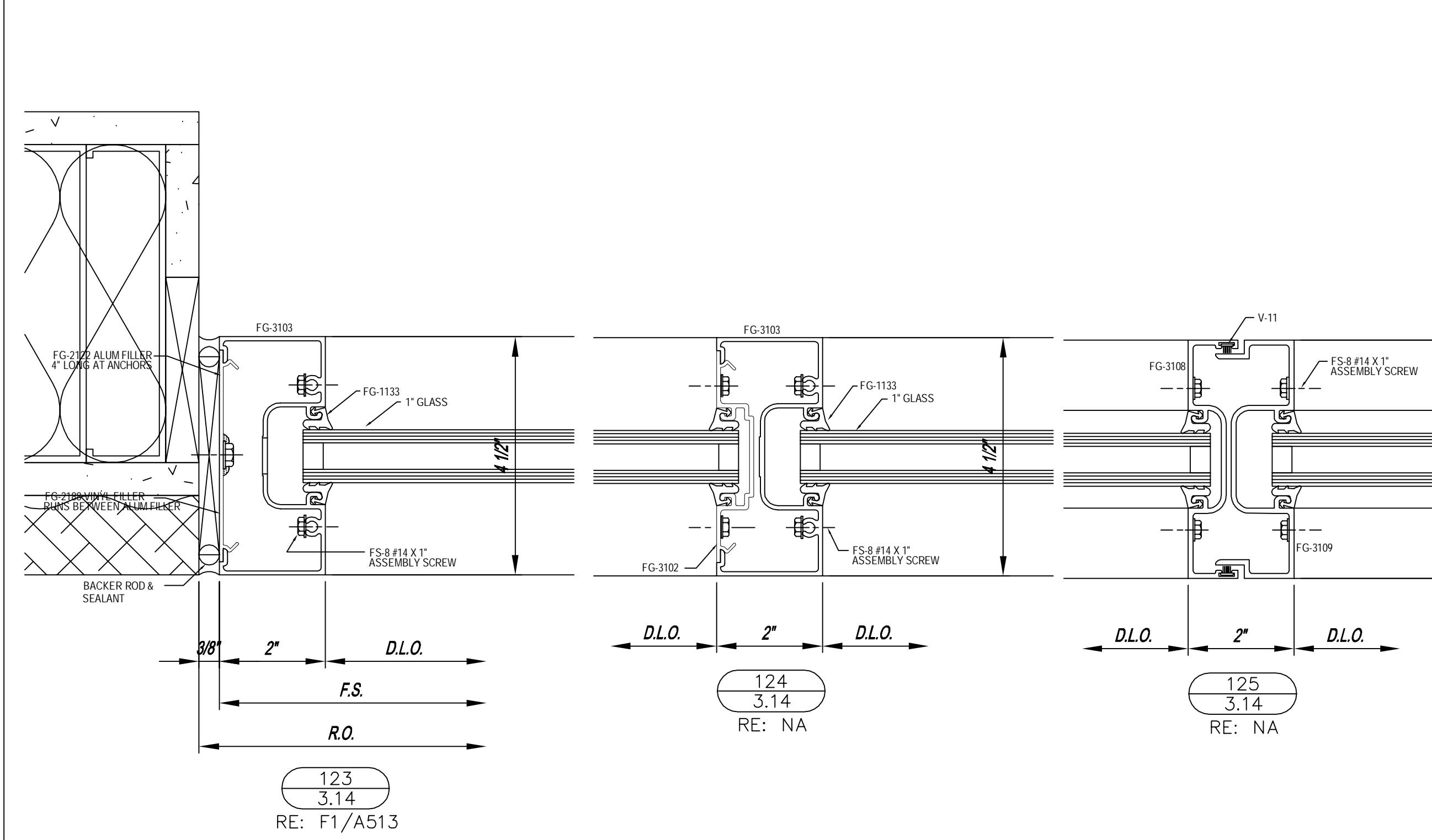
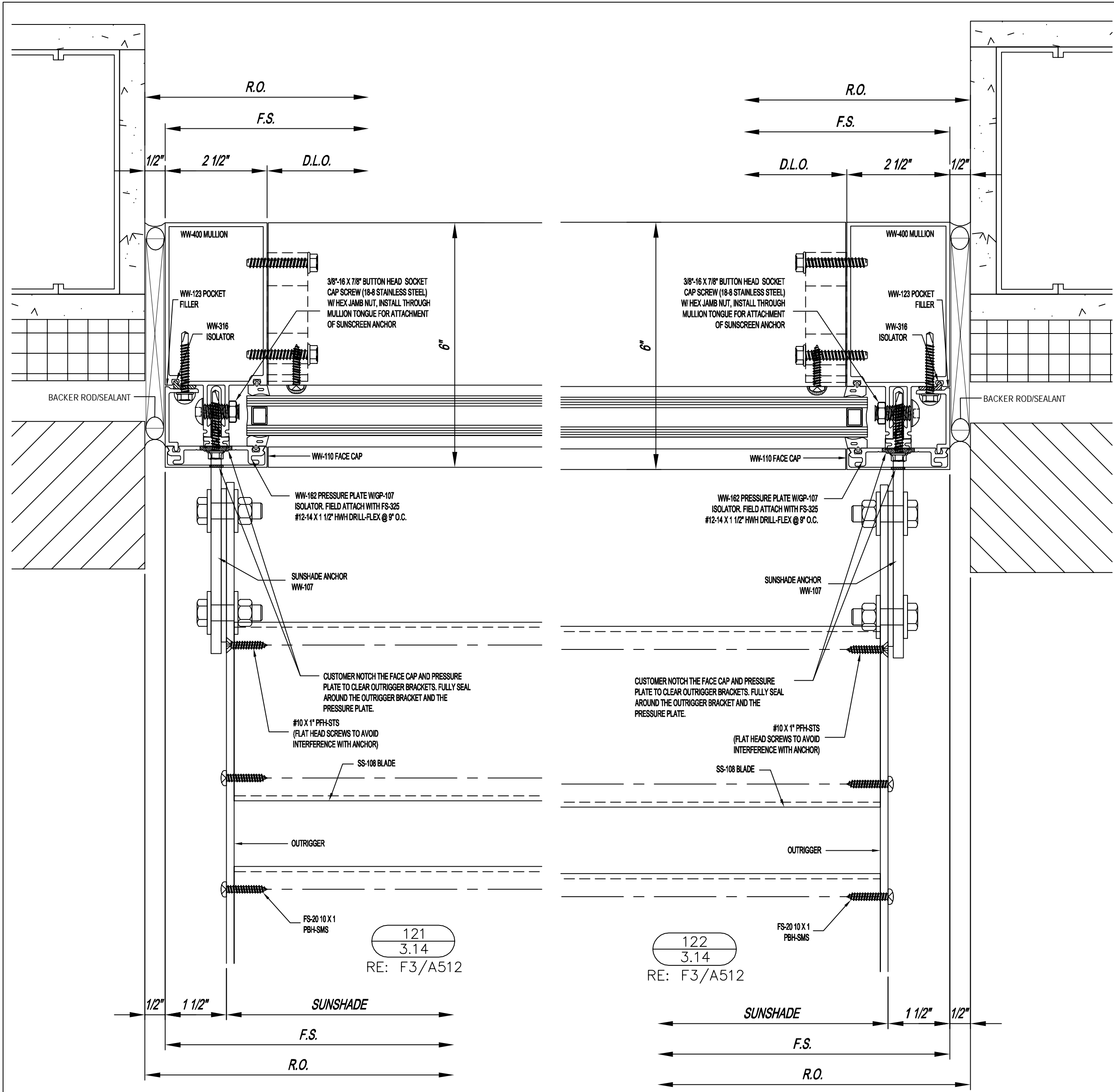
DRAWING SUBMISSION



NO	DESCRIPTION	DATE
10/30/11	1ST. REVISION	10/30/11
8/11/11	1ST. SUBMISSION	8/11/11

PROJECT NAME AND ADDRESS

PROJECT:	PROJECT NAME AND ADDRESS
DRAWN BY:	GL
CHECKED BY:	CCW
JOB NAME:	PINE SHADOWS ELEMENTARY
SHEET NO.:	3.13
ARCHITECT:	
CUSTOMER:	
DATE:	8/11/11
DATE:	8/11/11

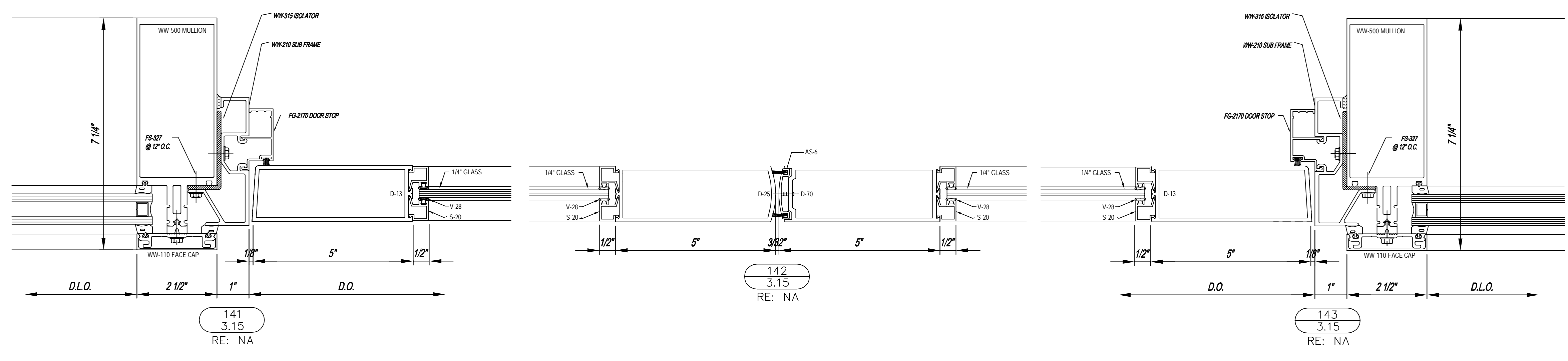
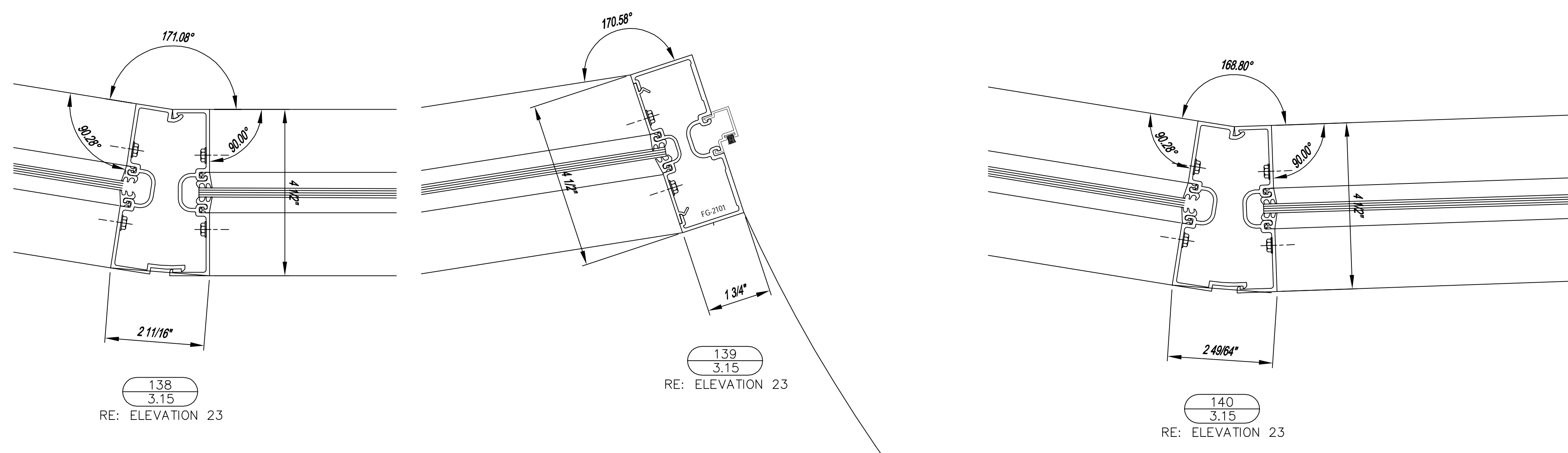
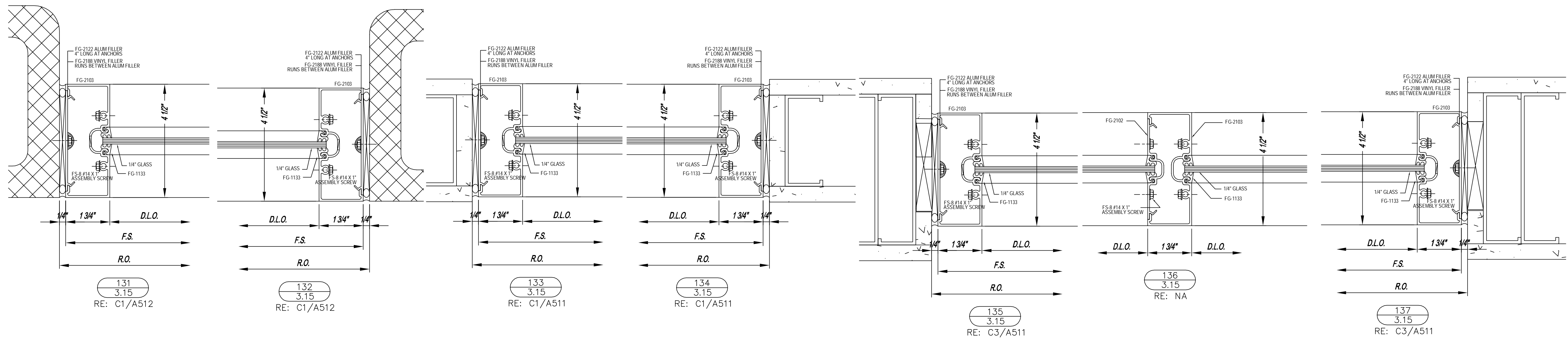


NO	DESCRIPTION	DATE
10/30/11	1ST. REVISION	
8/11/11	1ST. SUBMISSION	

PROJECT NAME AND ADDRESS

PROJECT:	PROJECT NAME AND ADDRESS
DRAWN BY:	GL
CHECKED BY:	CCW
JOB NAME:	PINE SHADOWS ELEMENTARY
SHEET NO.:	3.14
ARCHITECT:	CUSTOMER
DATE:	8/11/11
DATE:	8/11/11

DRAWING SUBMISSION



PROJECT NAME AND ADDRESS

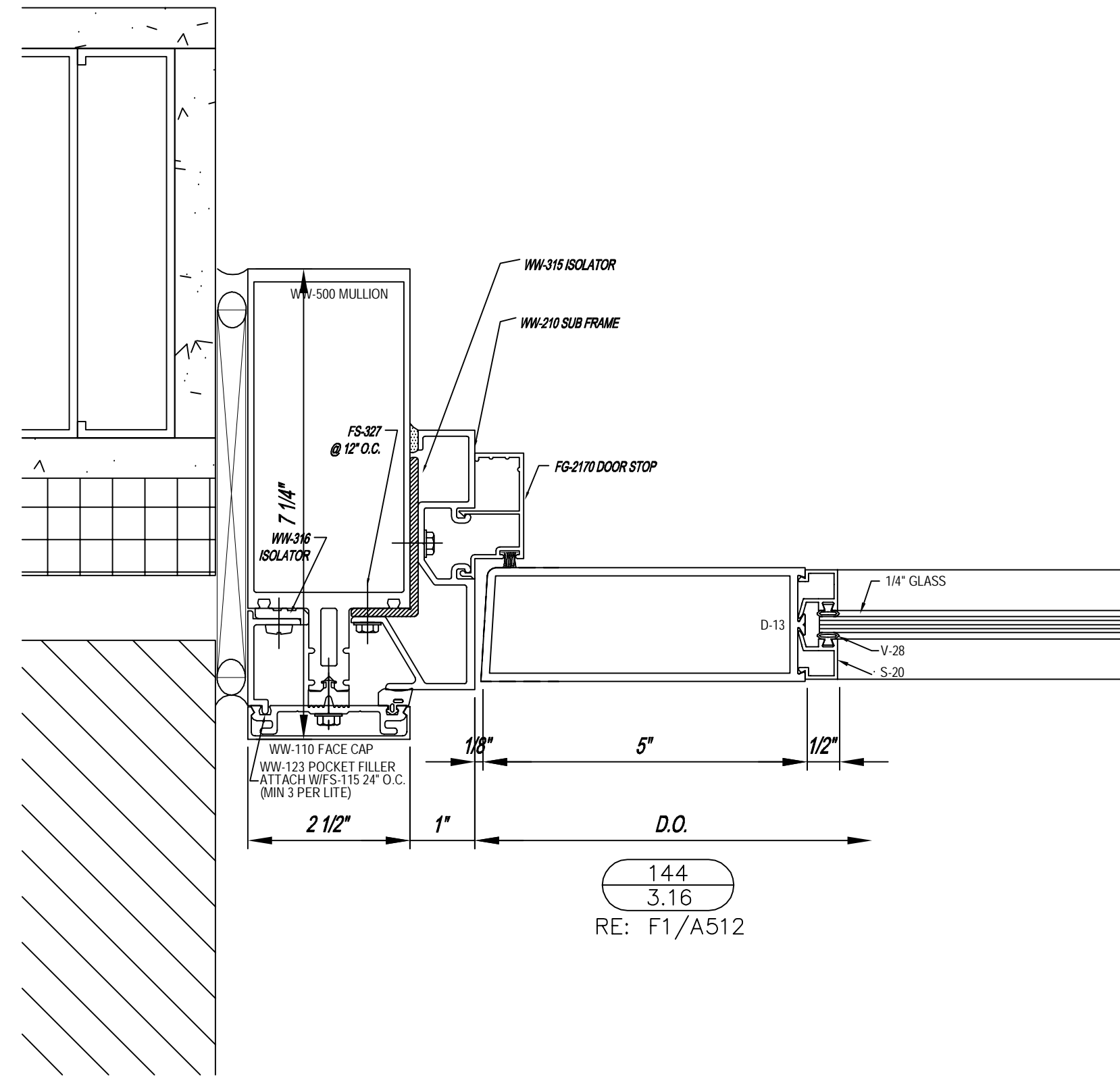
PROJECT: PROJECT NAME AND ADDRESS

NO	DESCRIPTION	DATE
1ST. SUBMISSION		8/11/11
1ST. REVISION		10/30/11

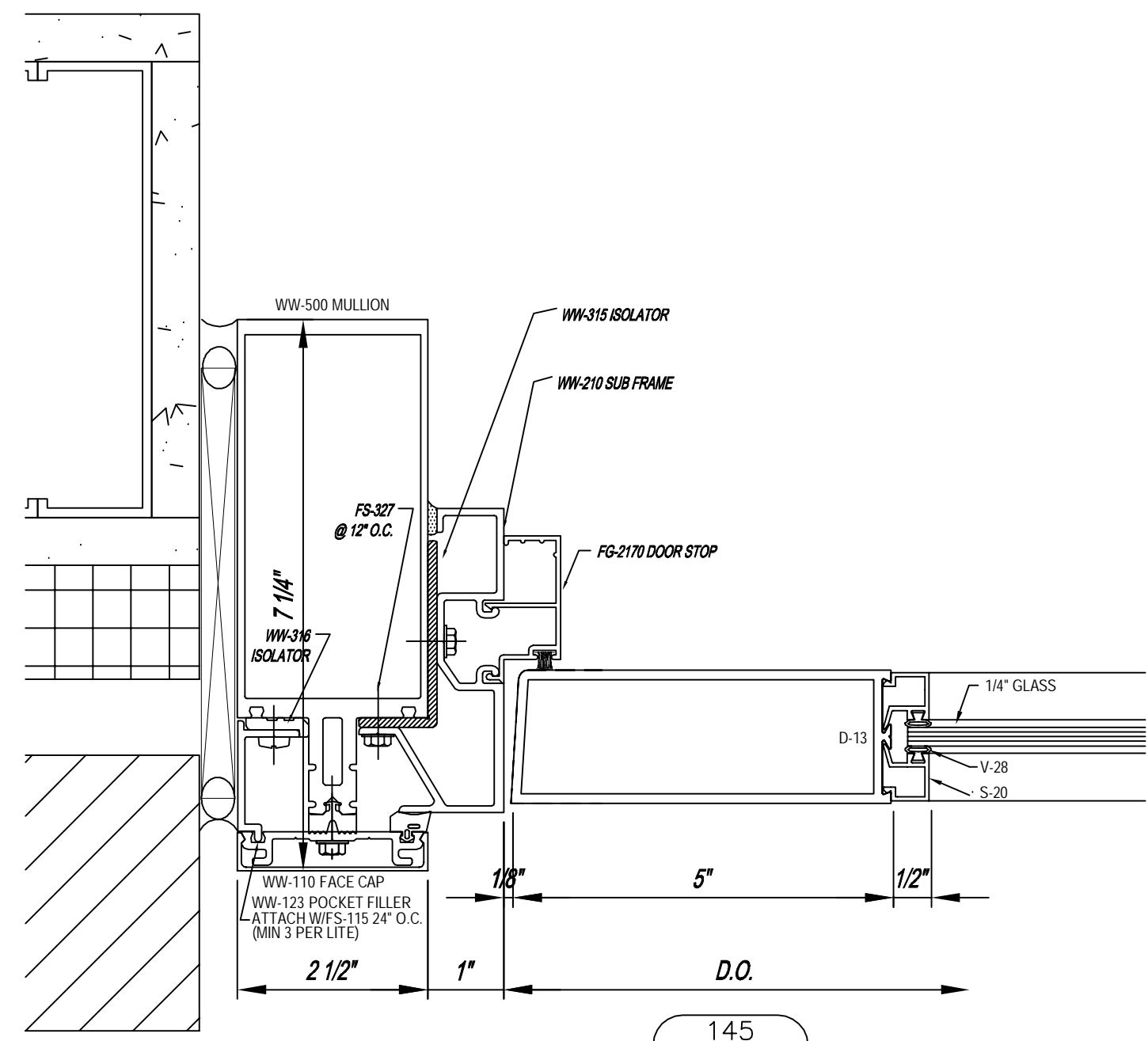
NO	DESCRIPTION	DATE

DRAWN BY:	GL	DATE:	8/11/11
CHECKED BY:	CCW	DATE:	8/11/11
JOB NAME:	PINE SHADOWS ELEMENTARY		
SHEET NO.:	3.15		

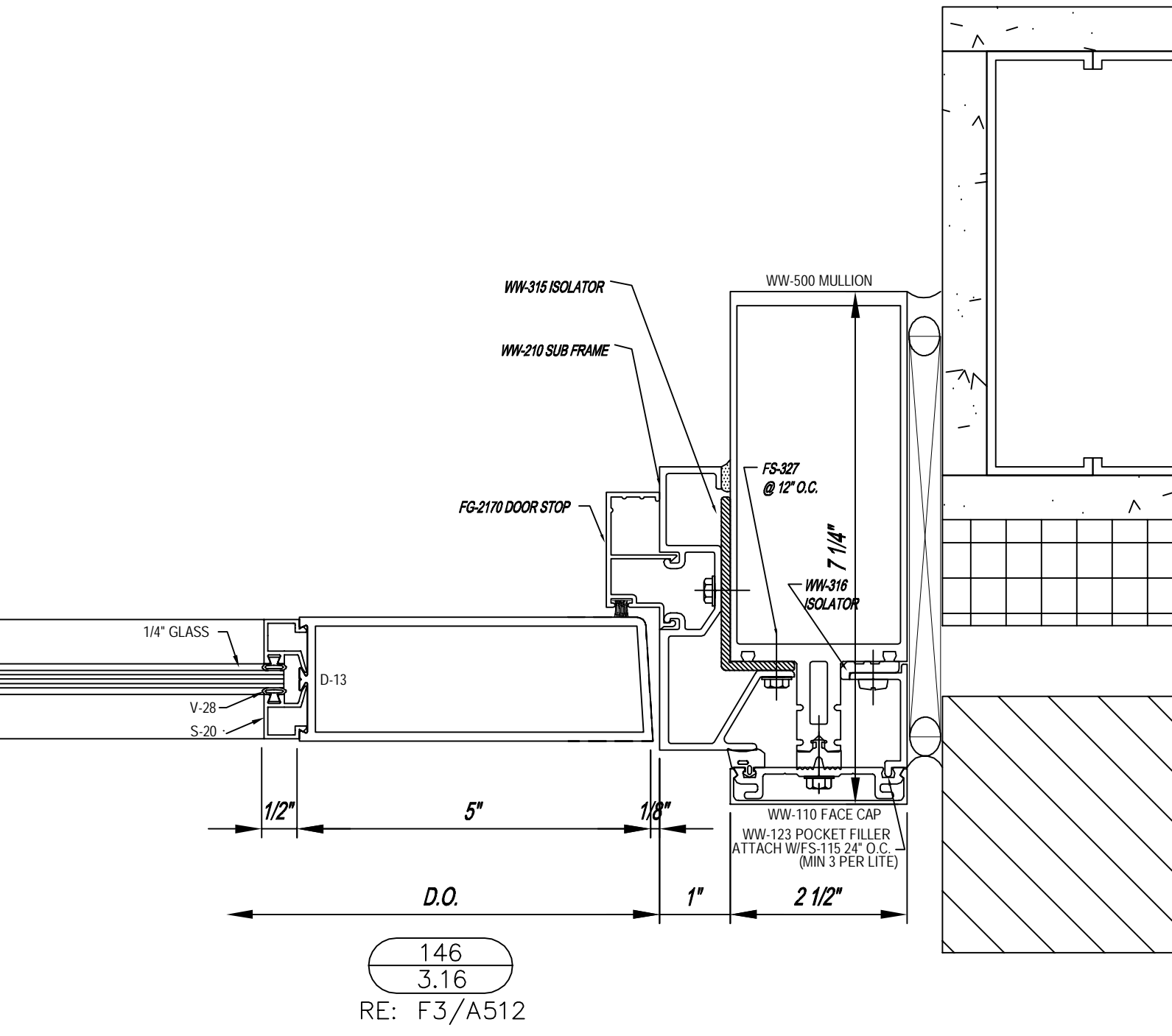
DRAWING SUBMISSION



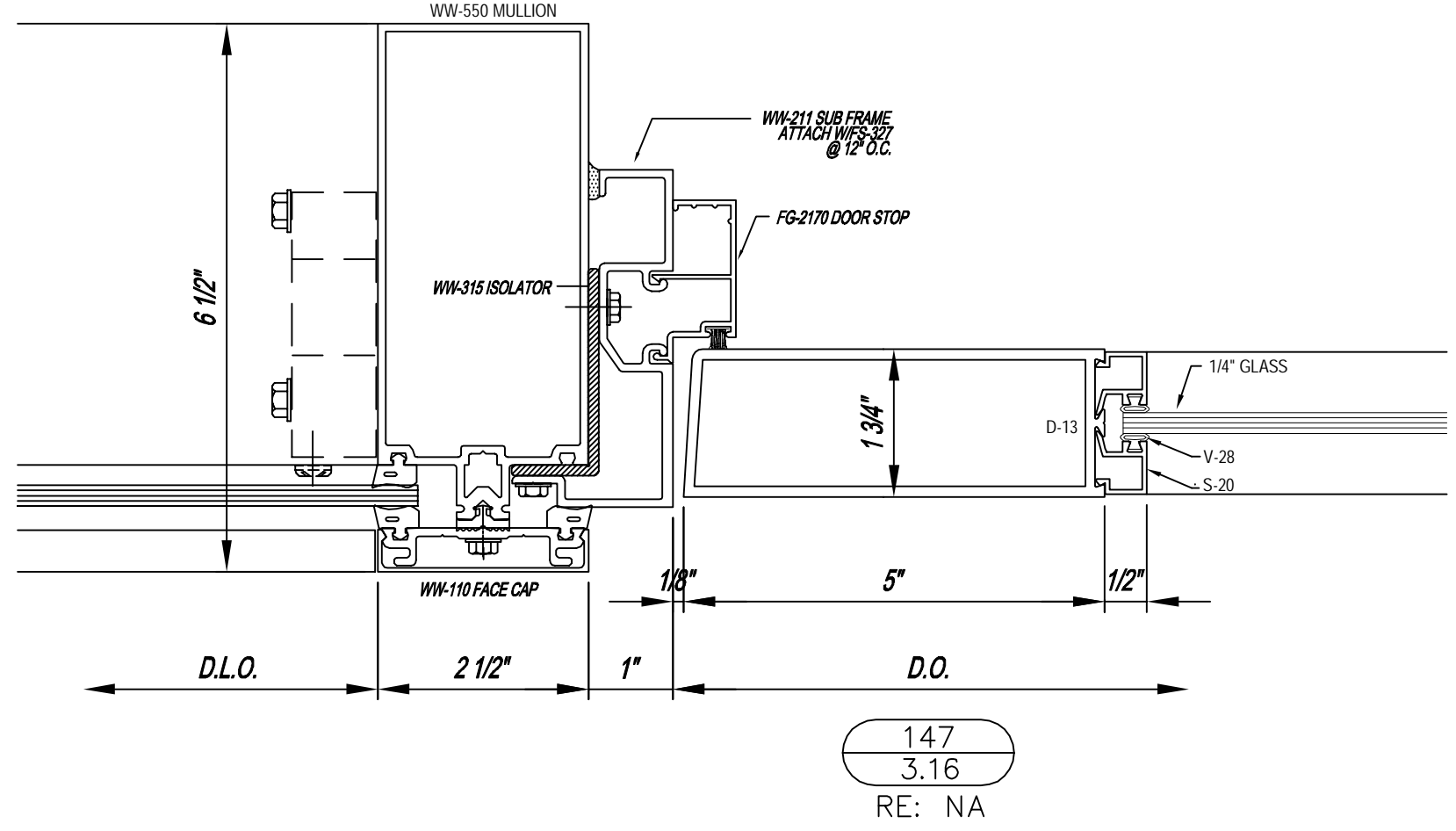
144
3.16
RE: F1/A512



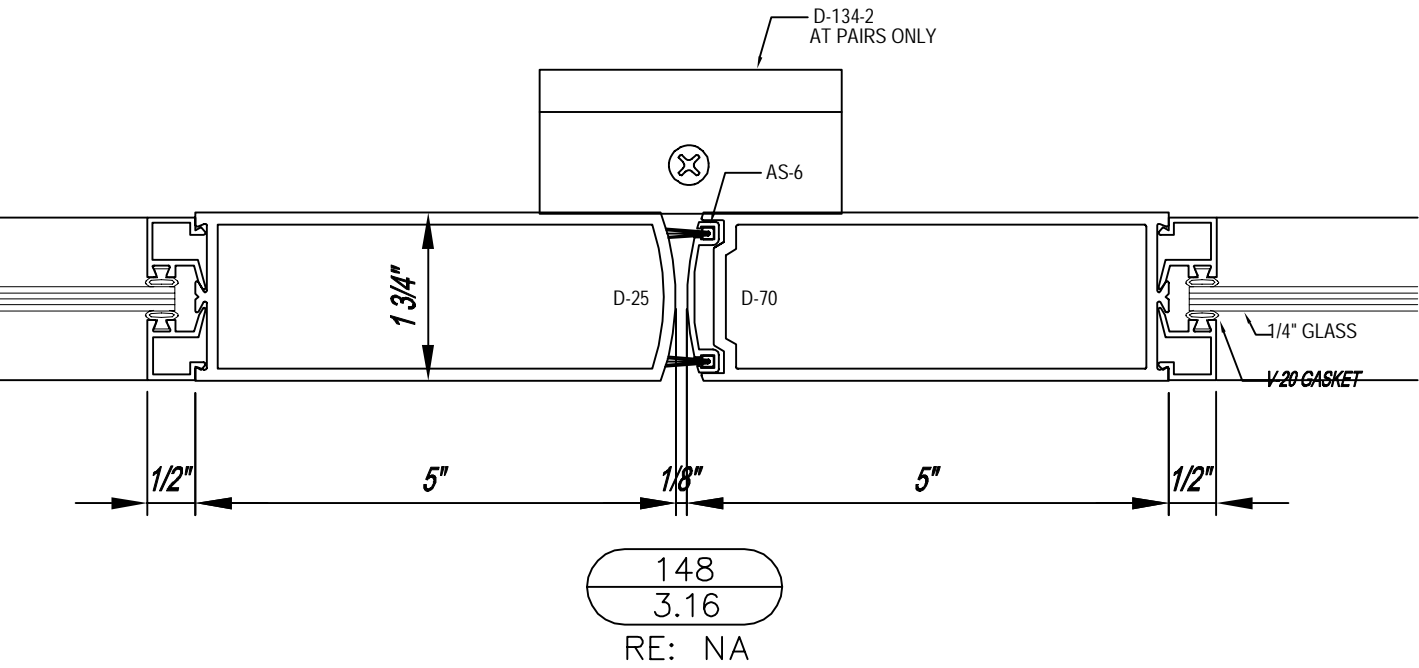
145
3.16
RE: F3/A512



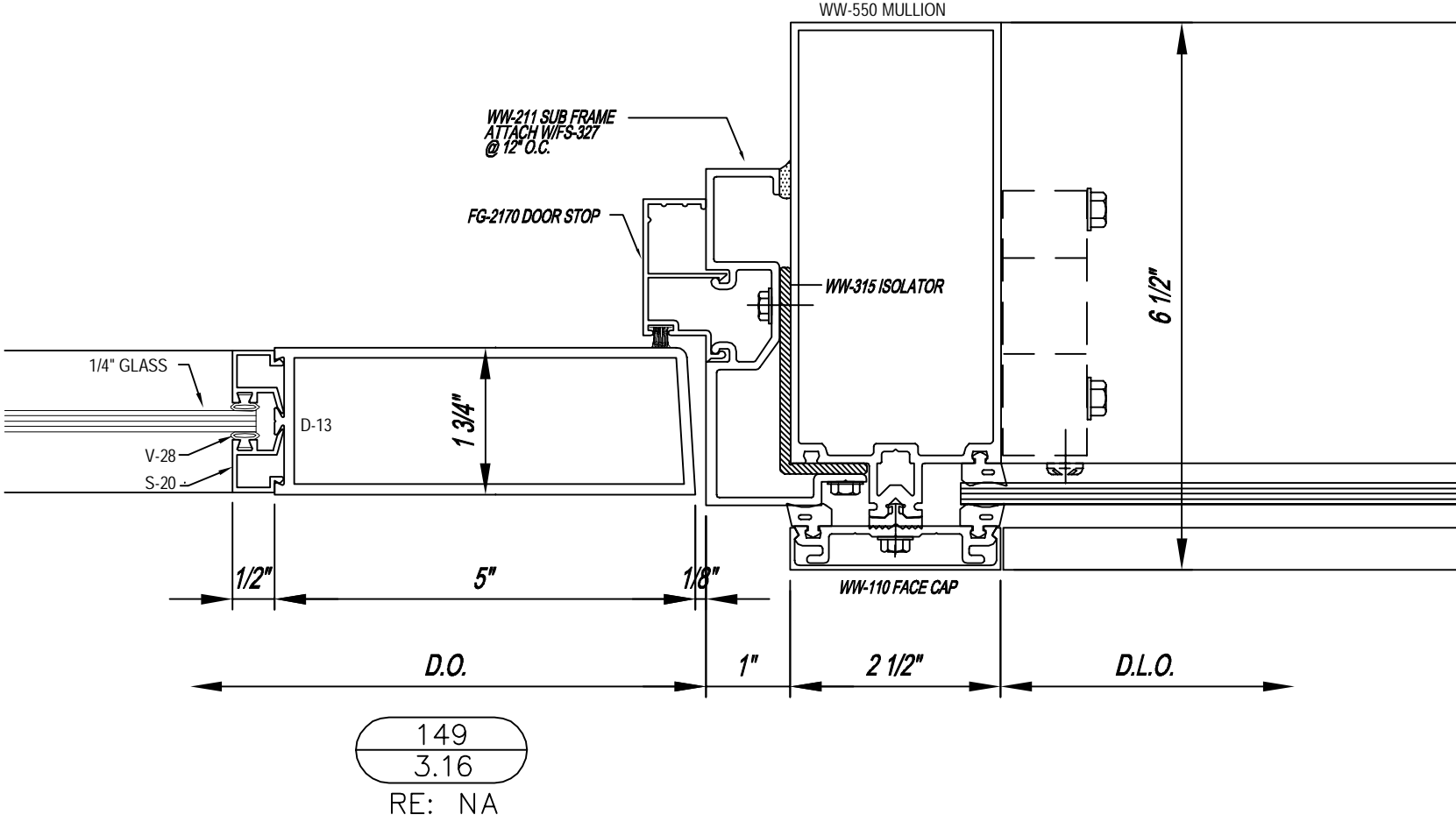
146
3.16
RE: F3/A512



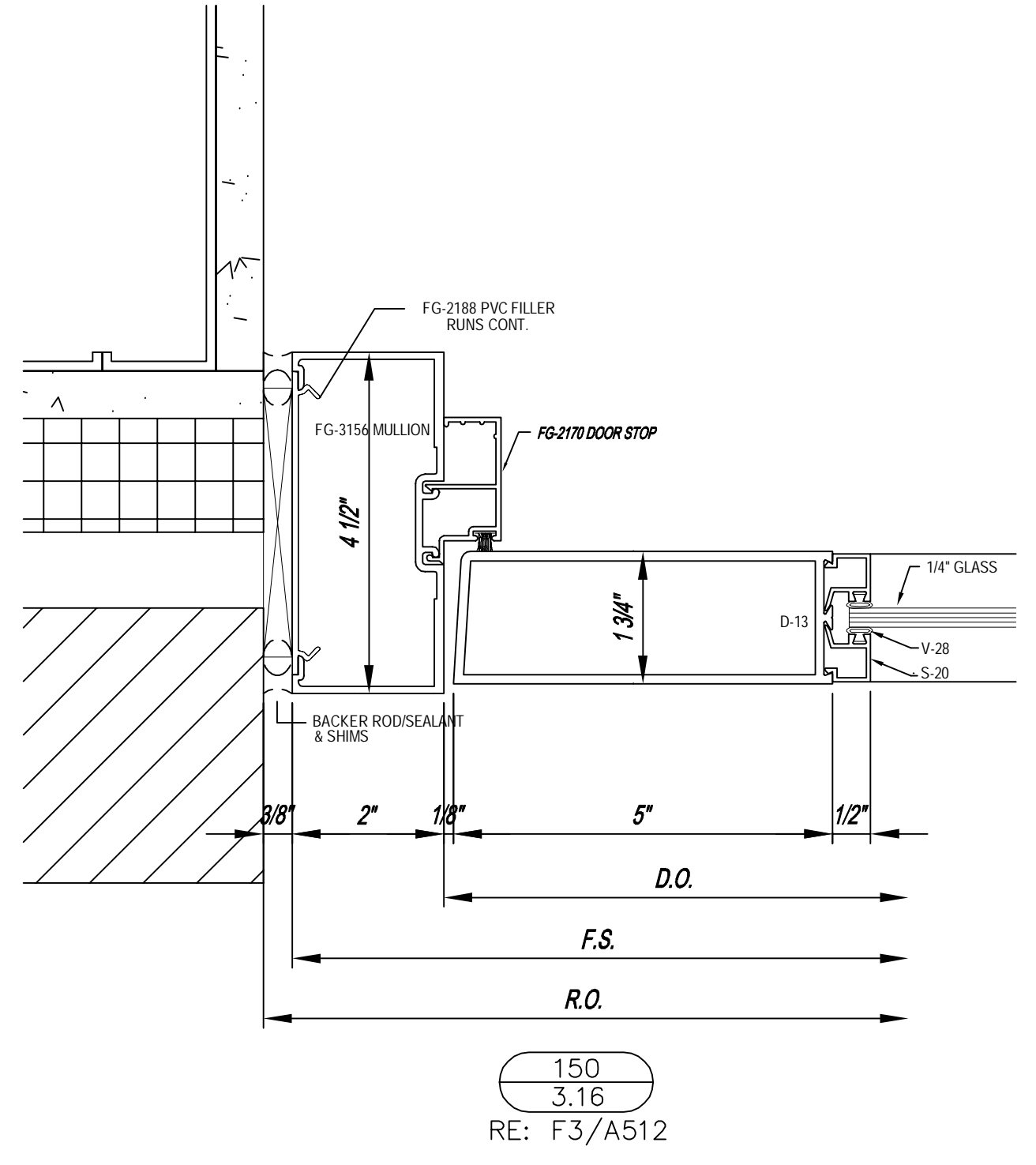
147
3.16
RE: NA



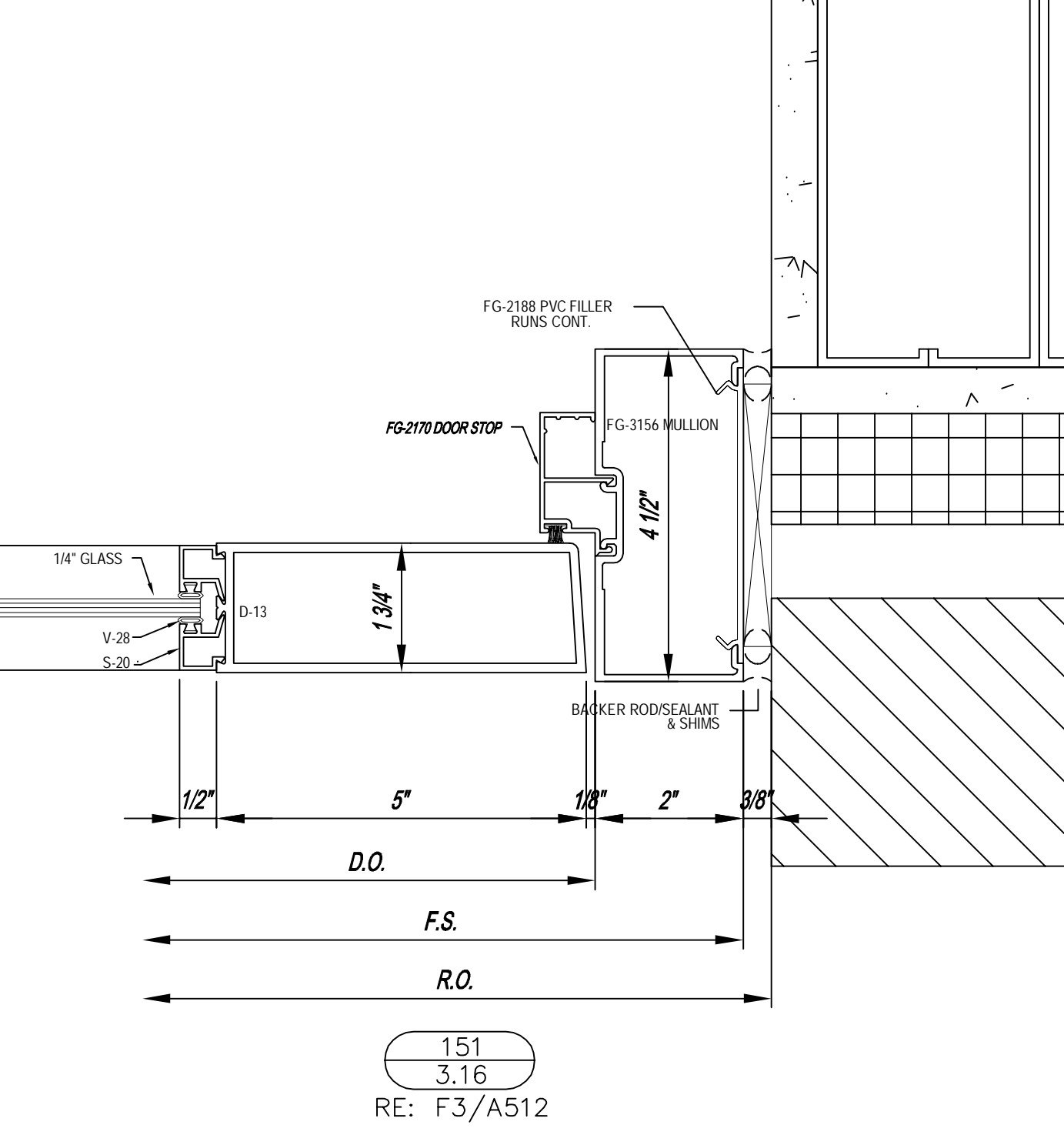
148
3.16
RE: NA



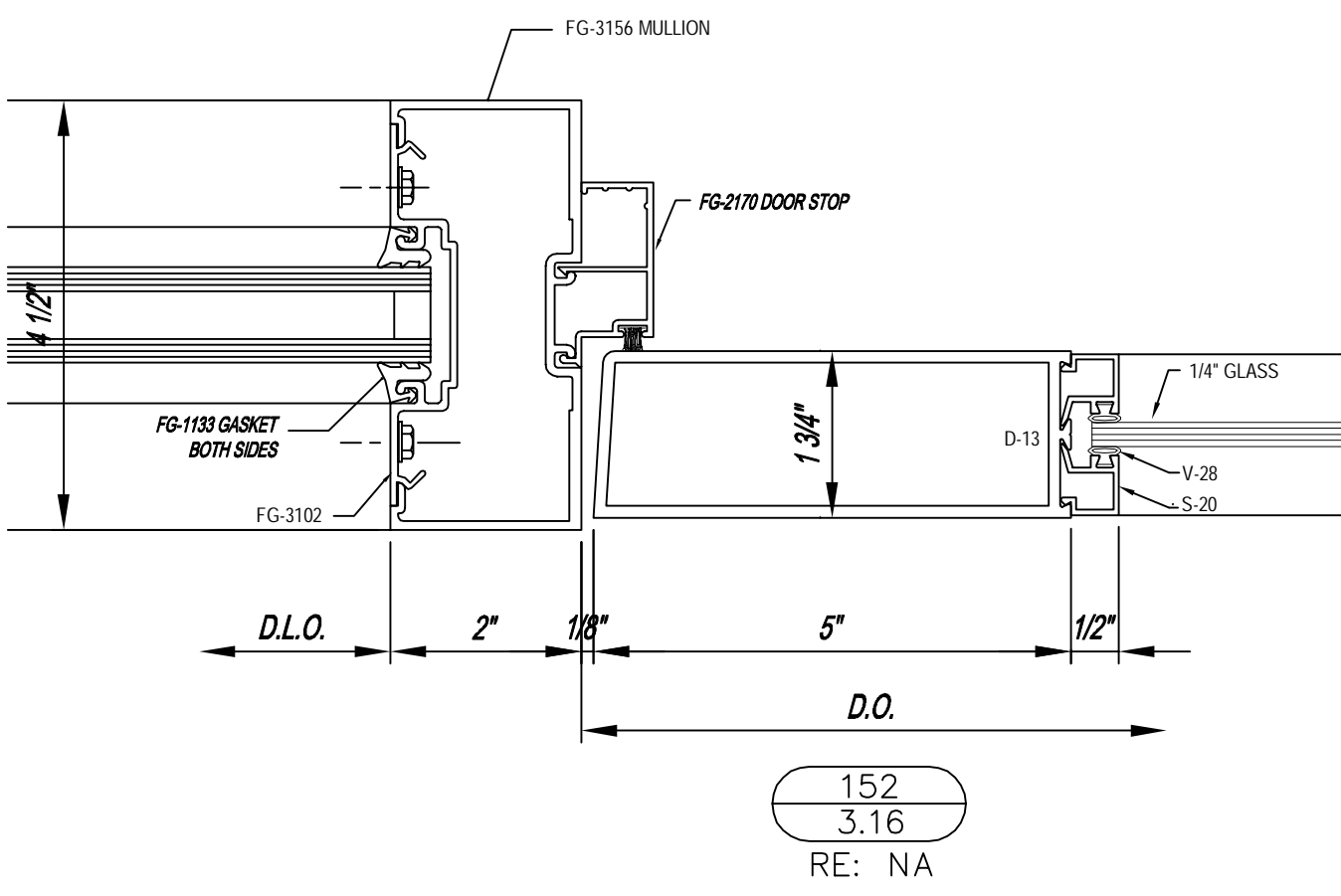
149
3.16
RE: NA



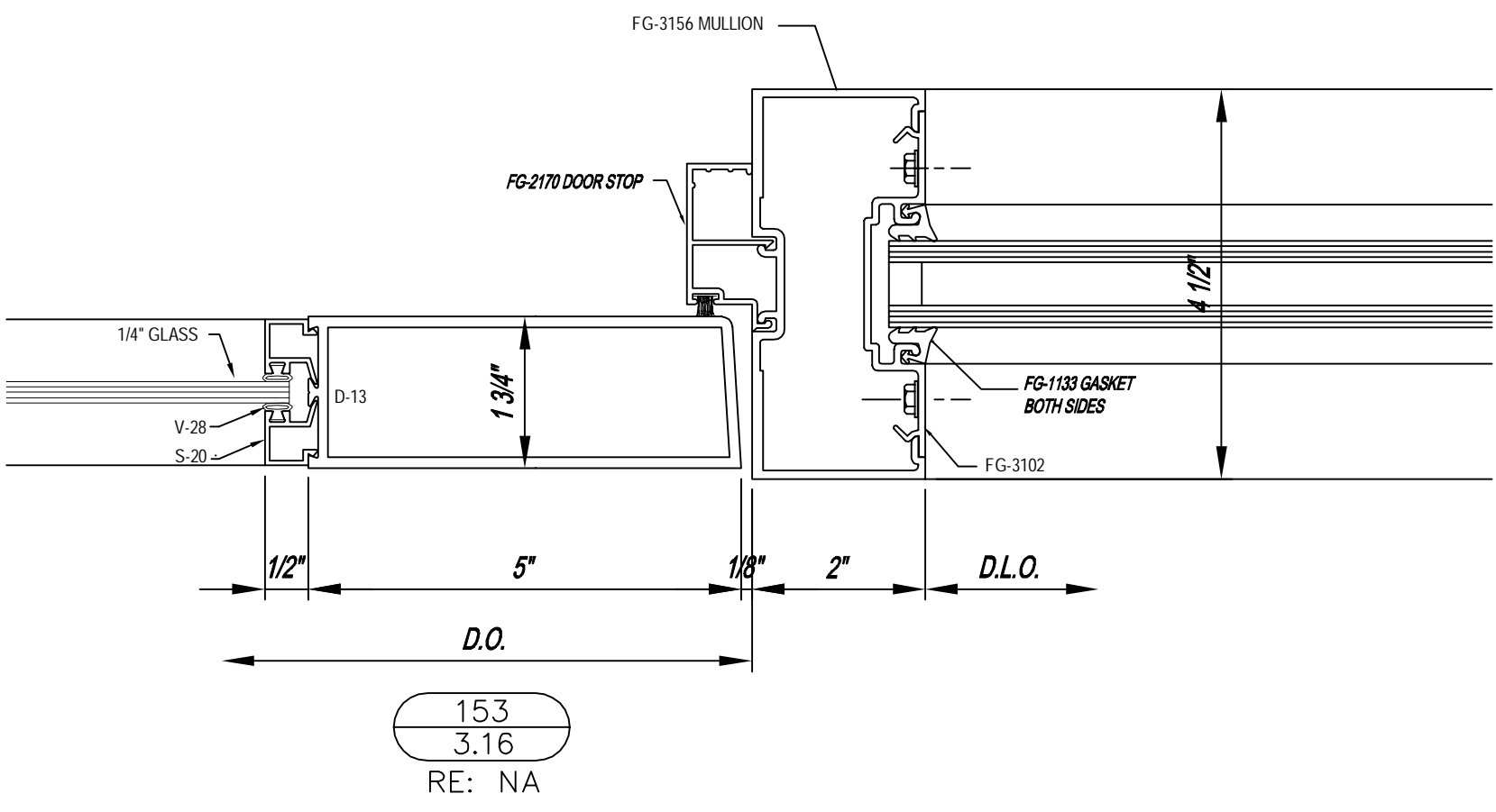
150
3.16
RE: F3/A512



151
3.16
RE: F3/A512



152
3.16
RE: NA



153
3.16
RE: NA

PROJECT NAME AND ADDRESS

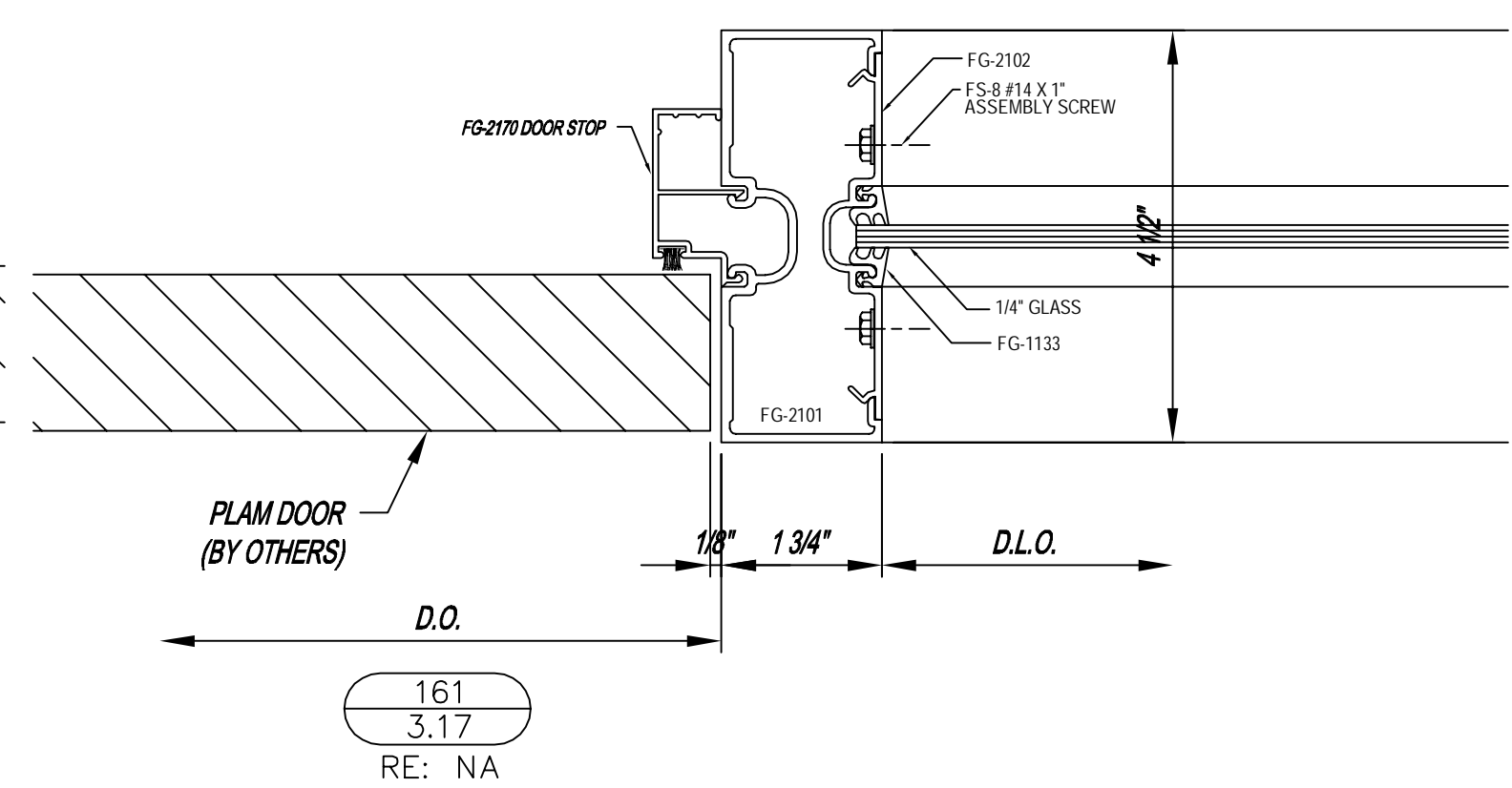
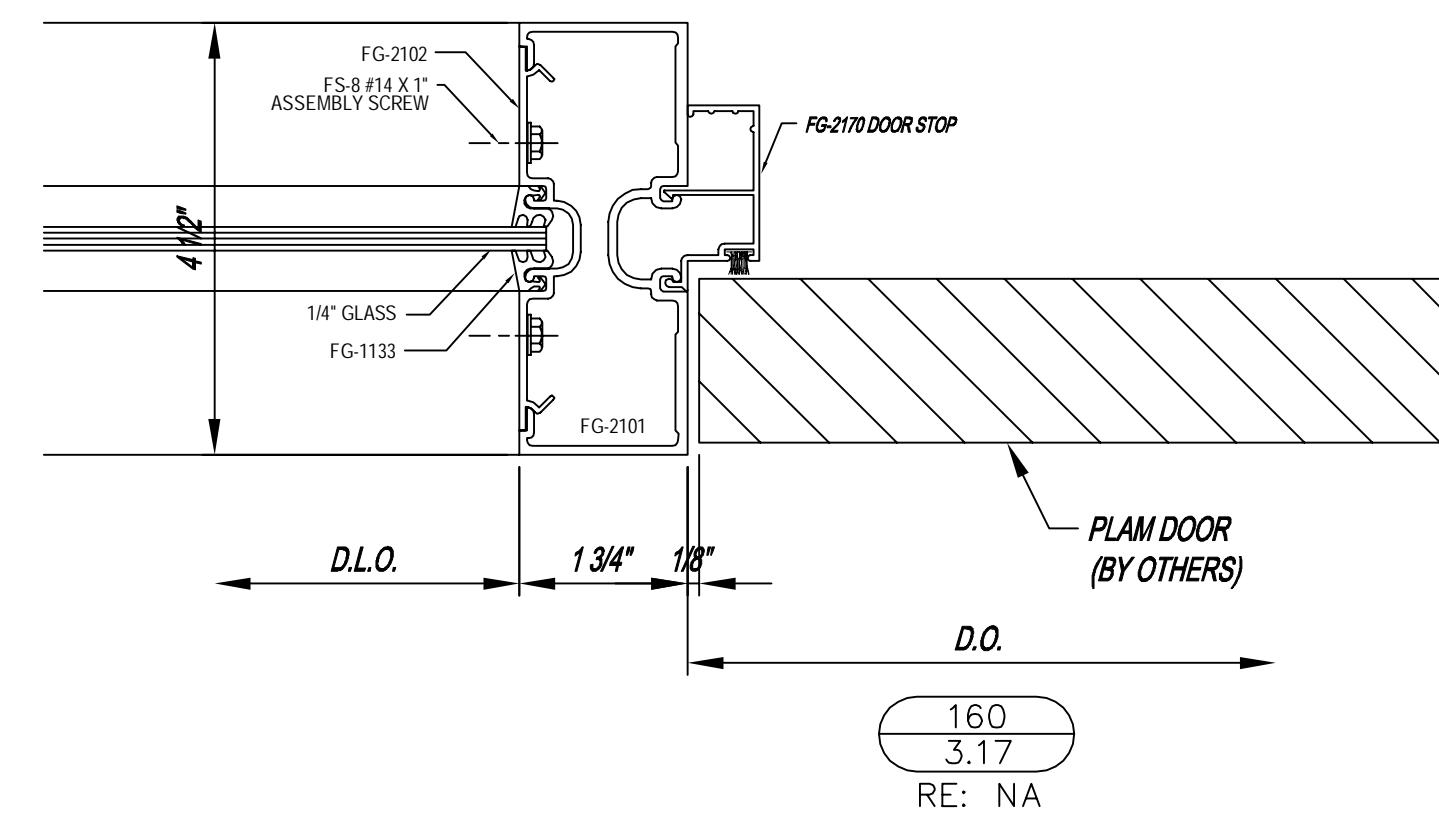
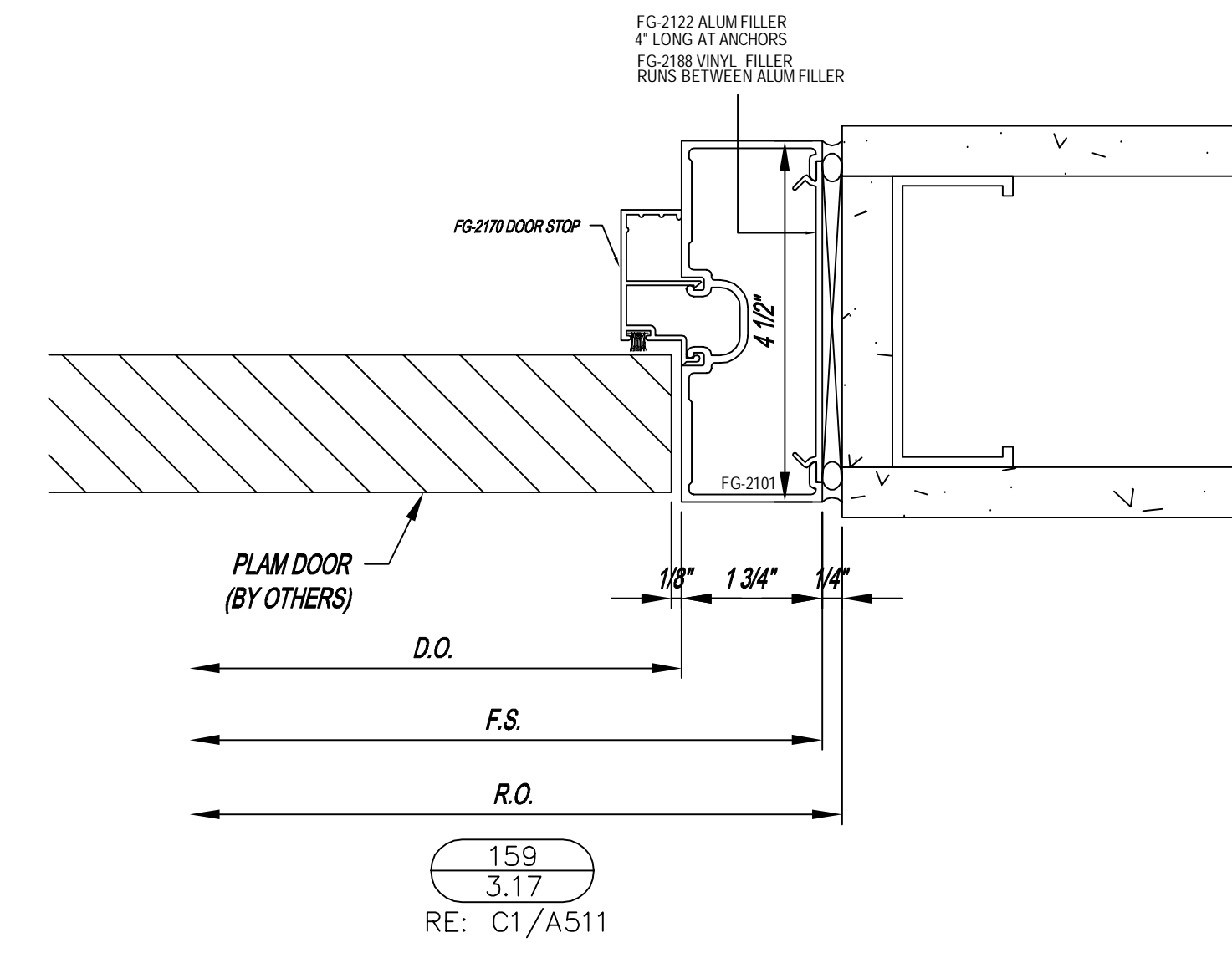
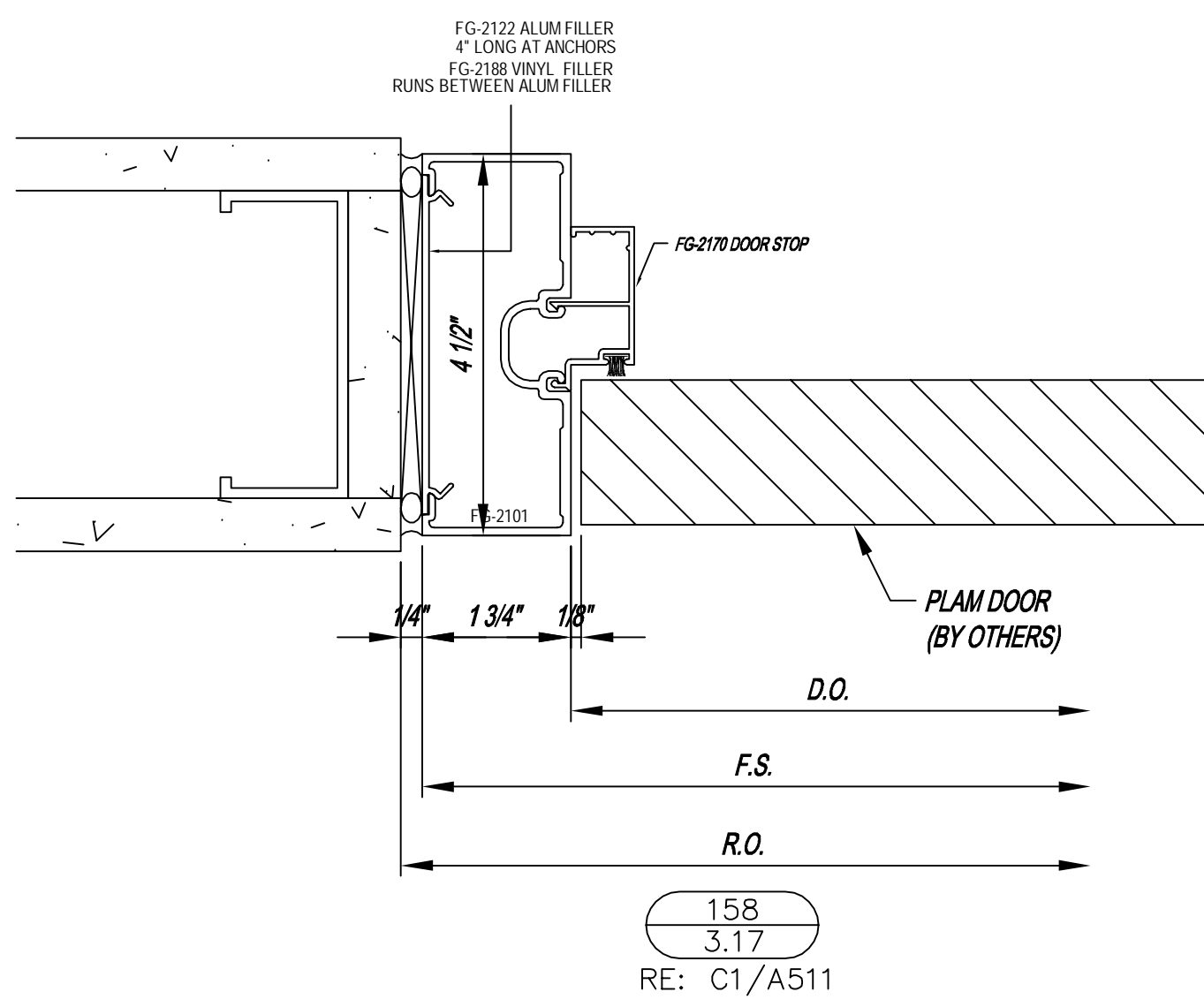
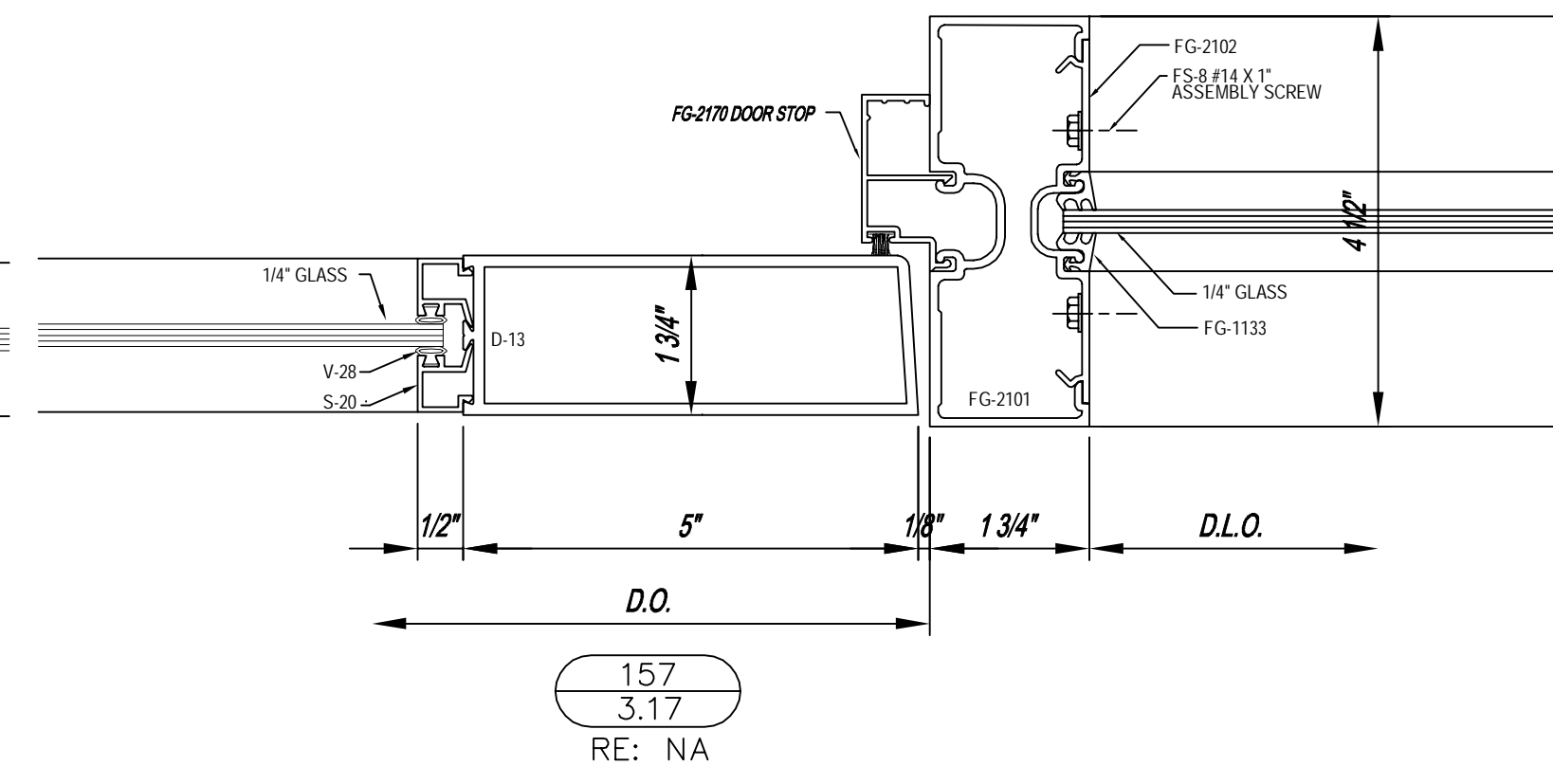
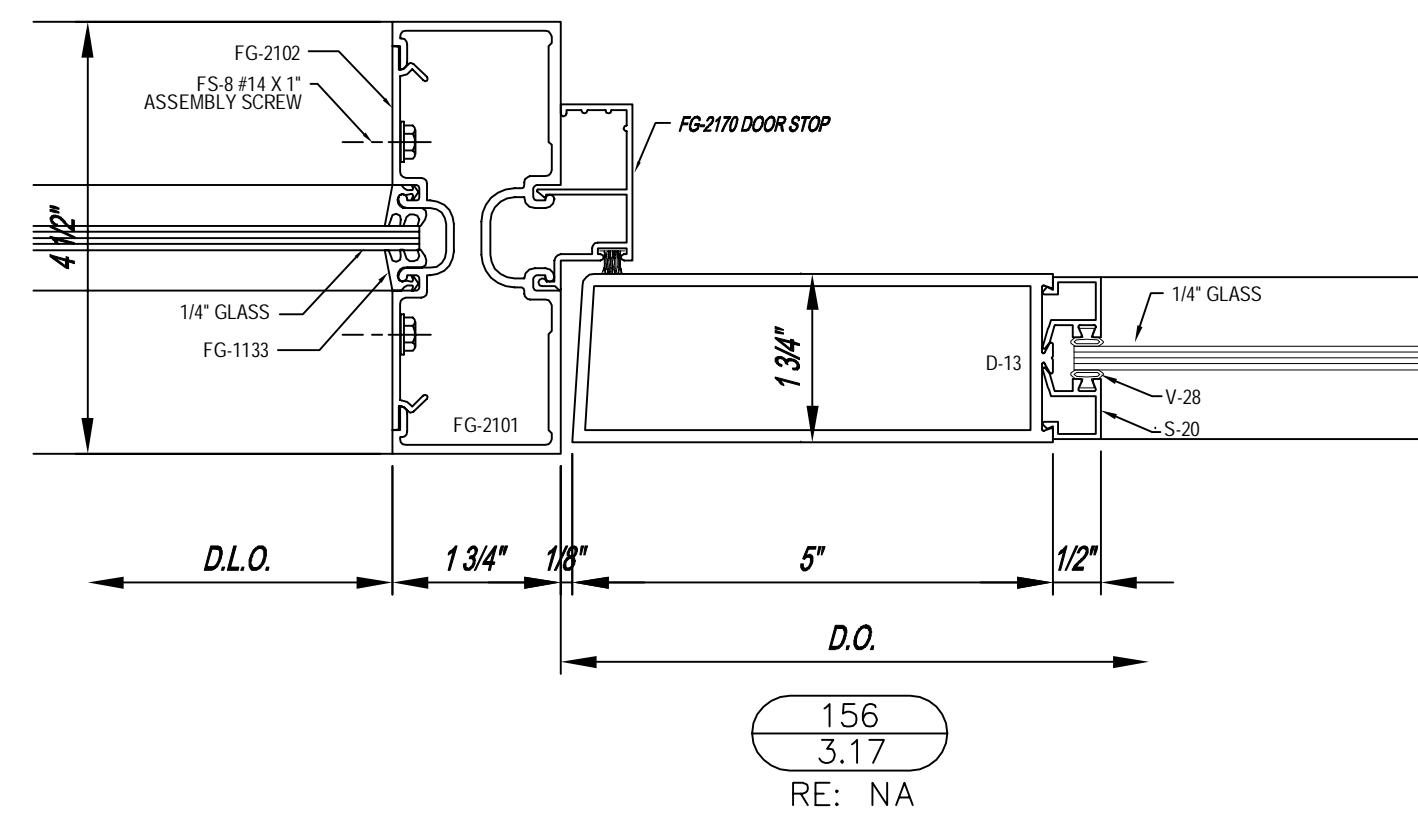
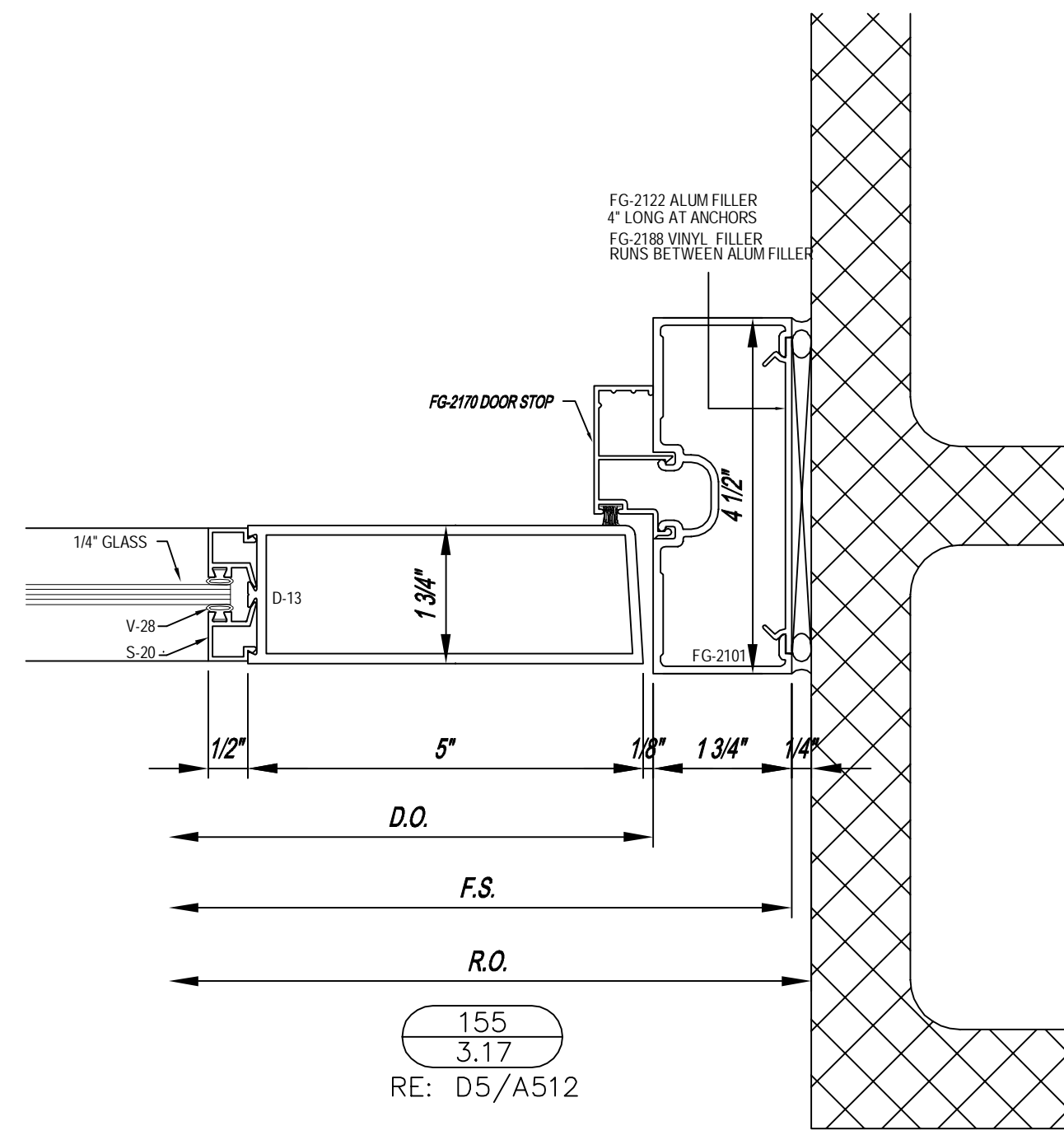
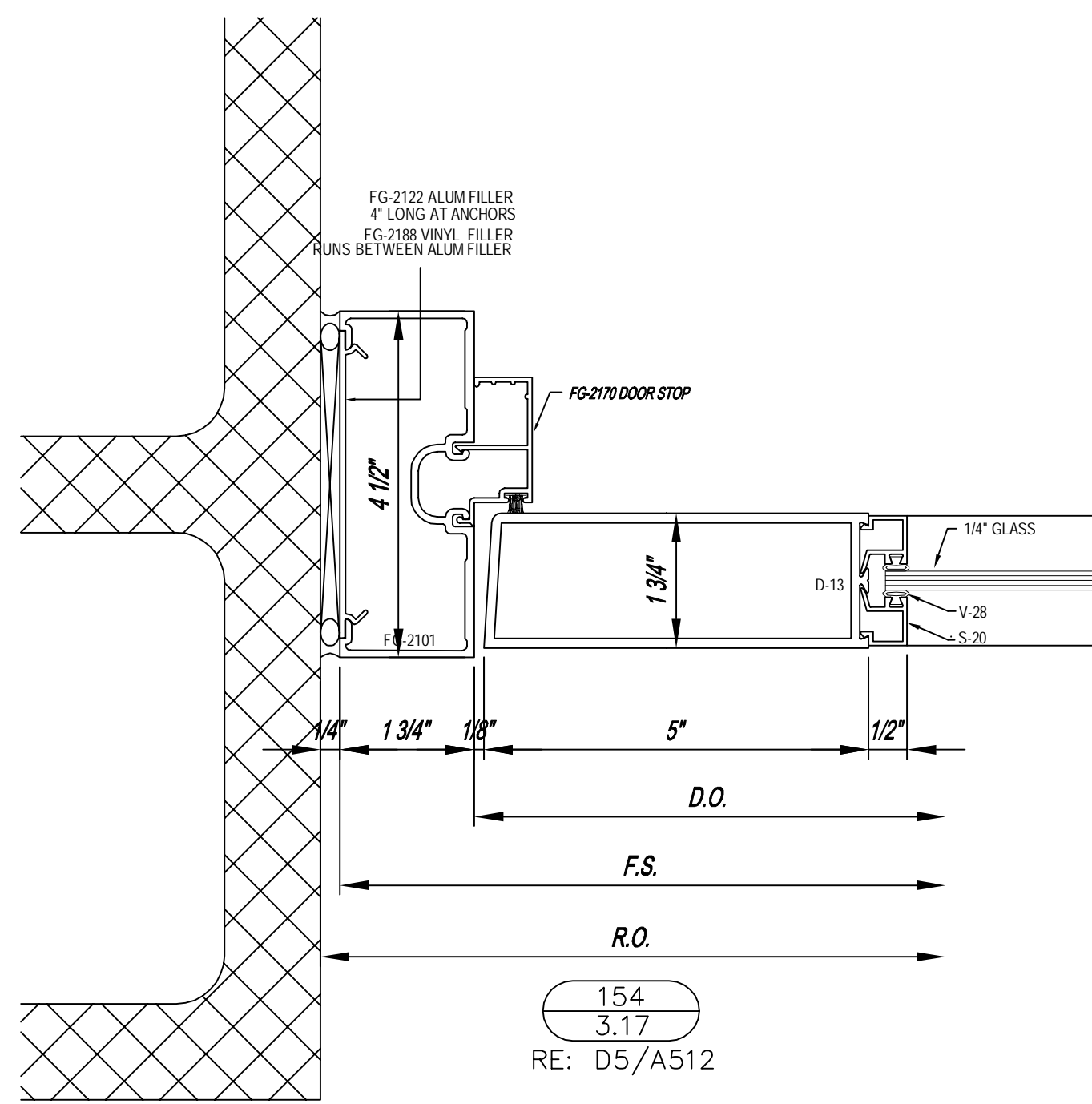
NO	DESCRIPTION	DATE
1ST. SUBMISSION		8/11/11
1ST. REVISION		10/30/11

PROJECT NAME AND ADDRESS

DRAWN BY:	GL	DATE:	8/11/11
CHECKED BY:	CCW	DATE:	8/11/11
JOB NAME:	PINE SHADOWS ELEMENTARY		
SHEET NO.:	3.16		

ARCHITECT:	
CUSTOMER:	

DRAWING SUBMISSION



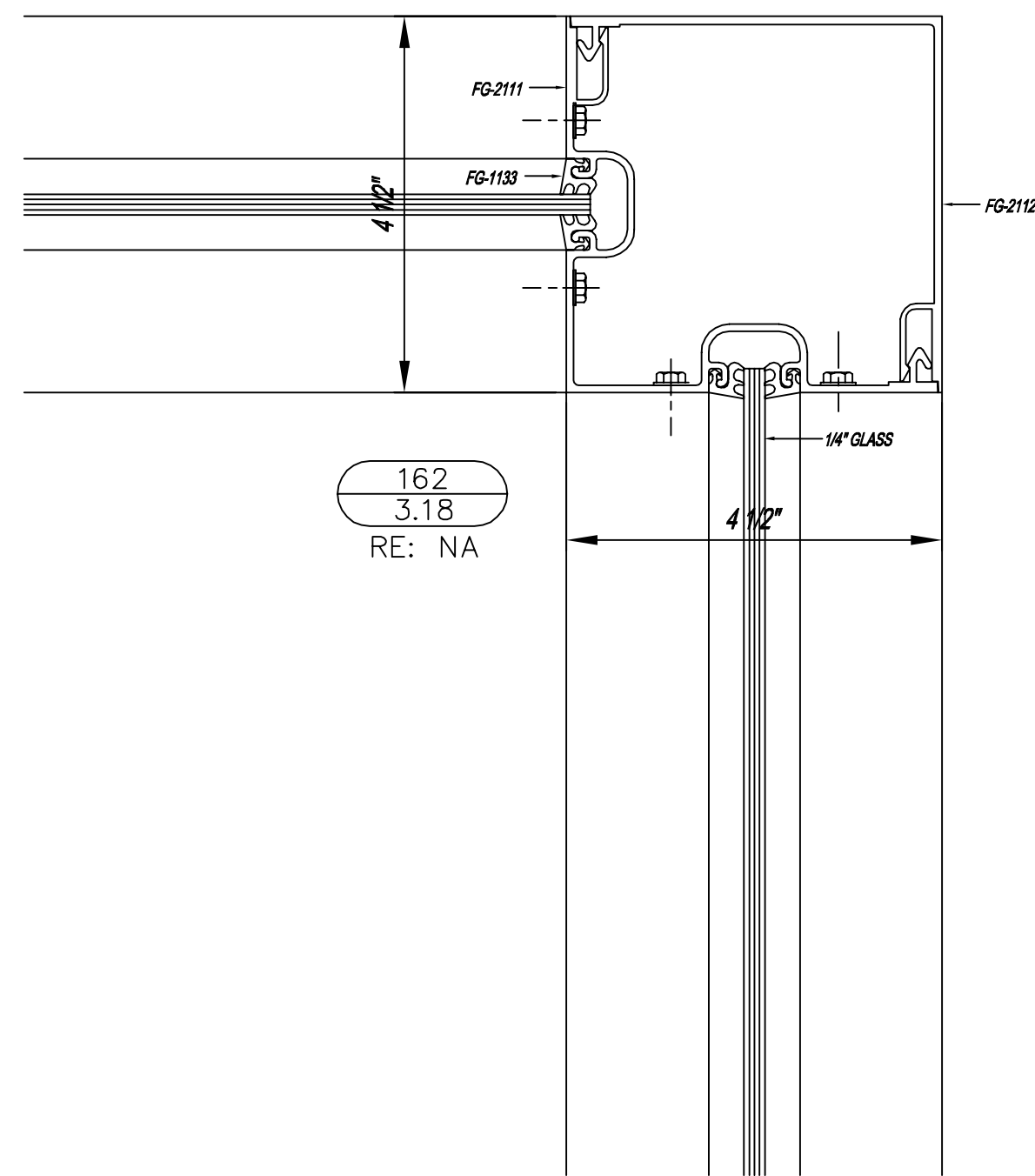
NO	DESCRIPTION	DATE
10/30/11	1ST. REVISION	10/30/11
8/11/11	1ST. SUBMISSION	8/11/11

PROJECT NAME AND ADDRESS

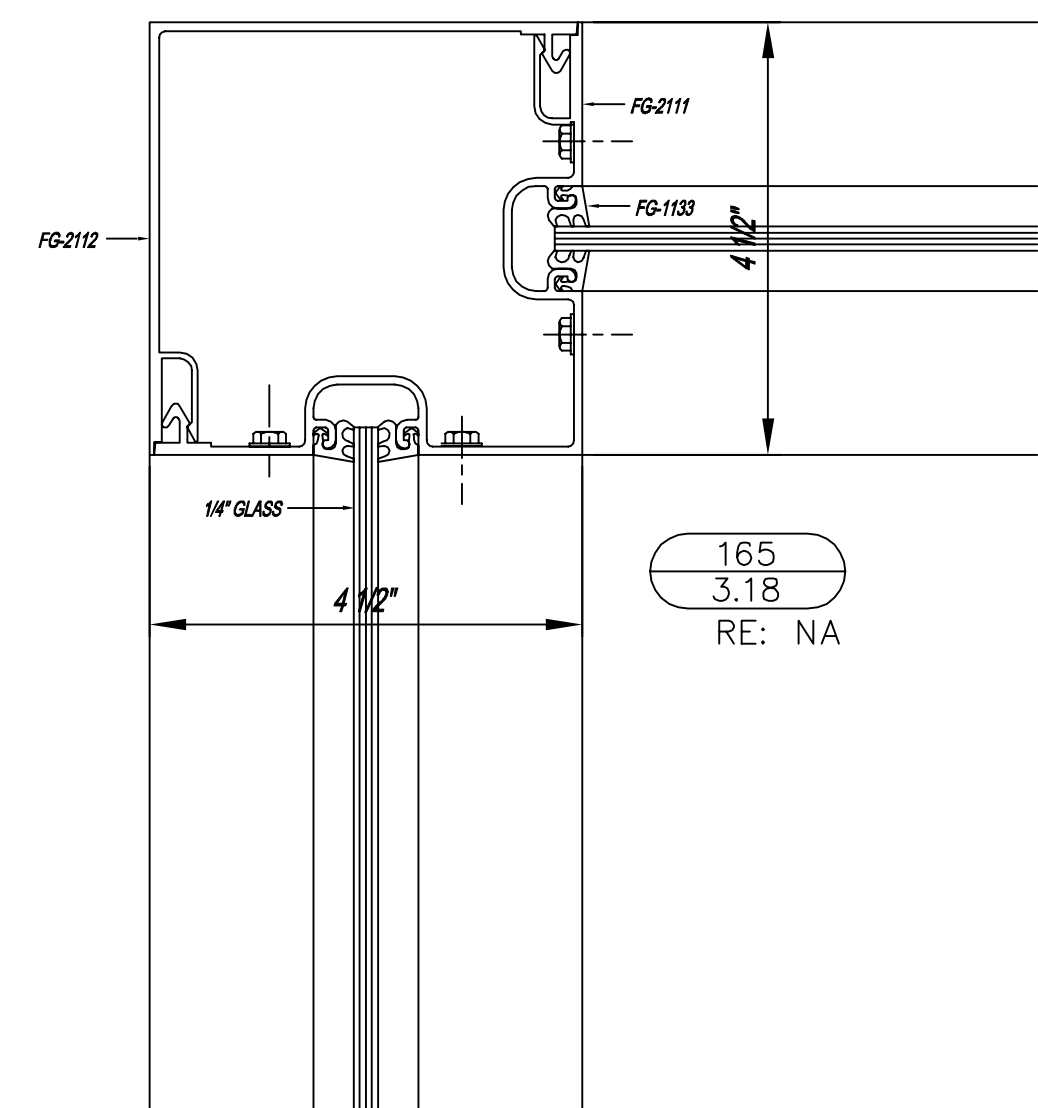
PROJECT: PROJECT NAME AND ADDRESS

DRAWN BY: GL	DATE: 8/11/11
CHECKED BY: CCW	DATE: 8/11/11
JOB NAME: PINE SHADOWS ELEMENTARY	
SHEET NO.: 3.17	

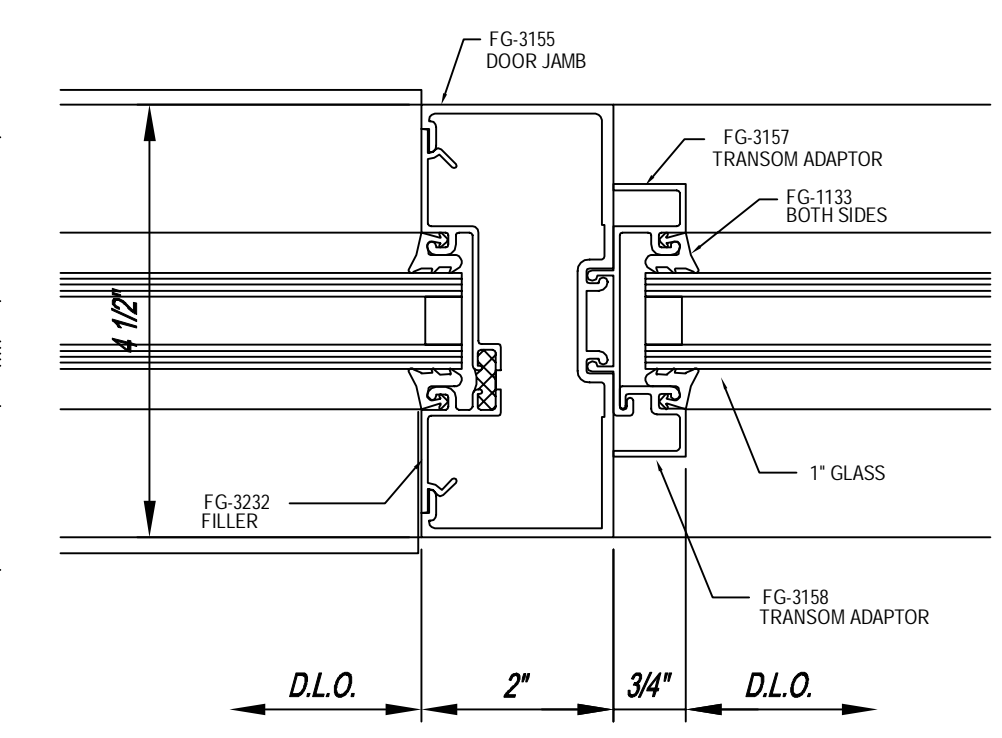
DRAWING SUBMISSION



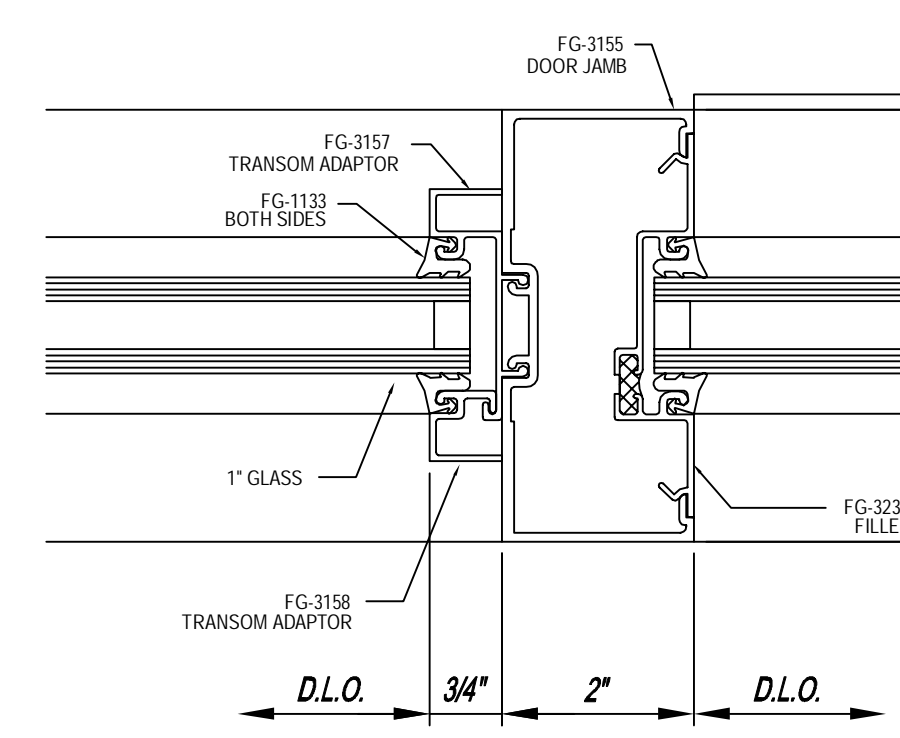
162
3.18
RE: NA



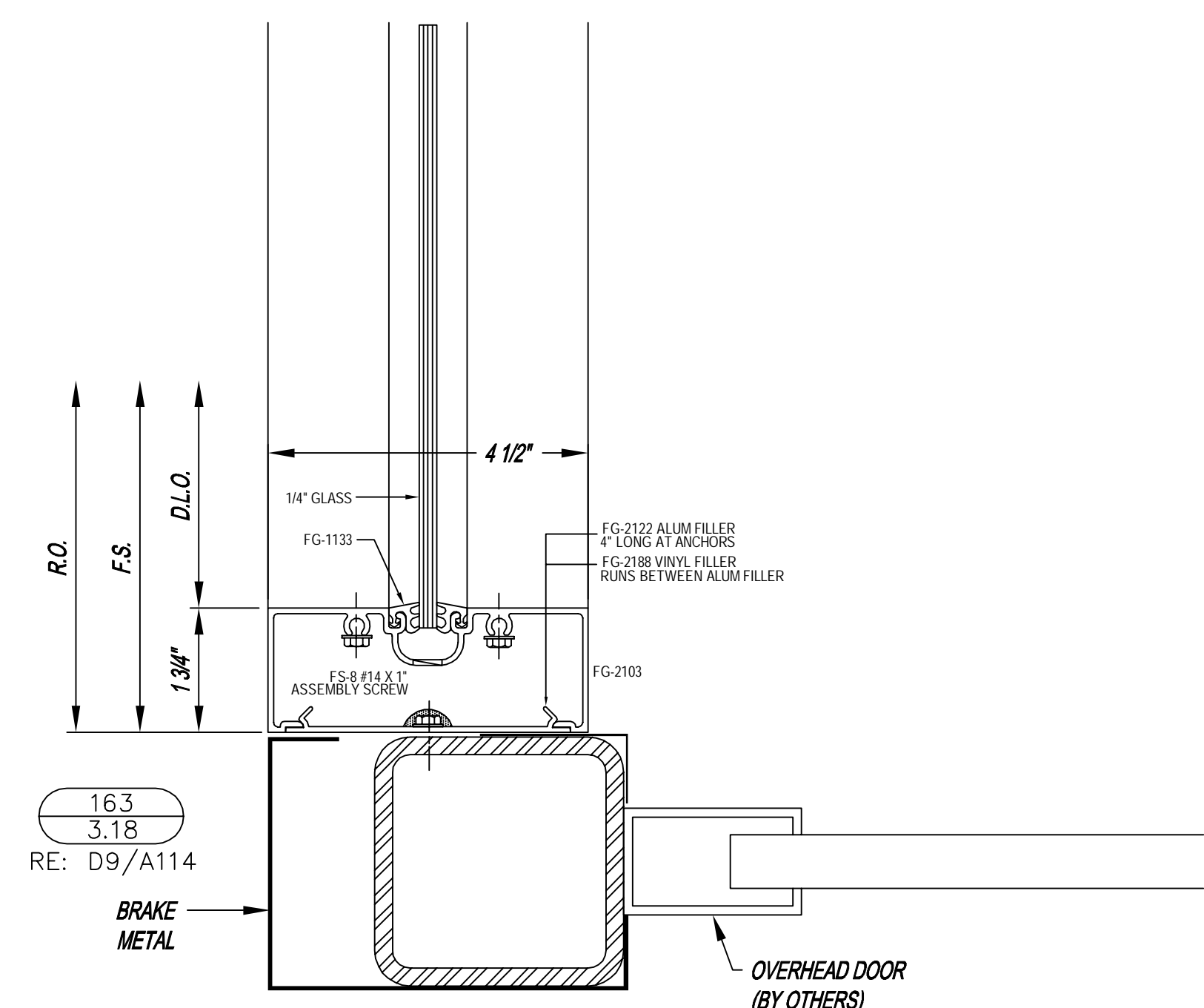
165
3.18
RE: NA



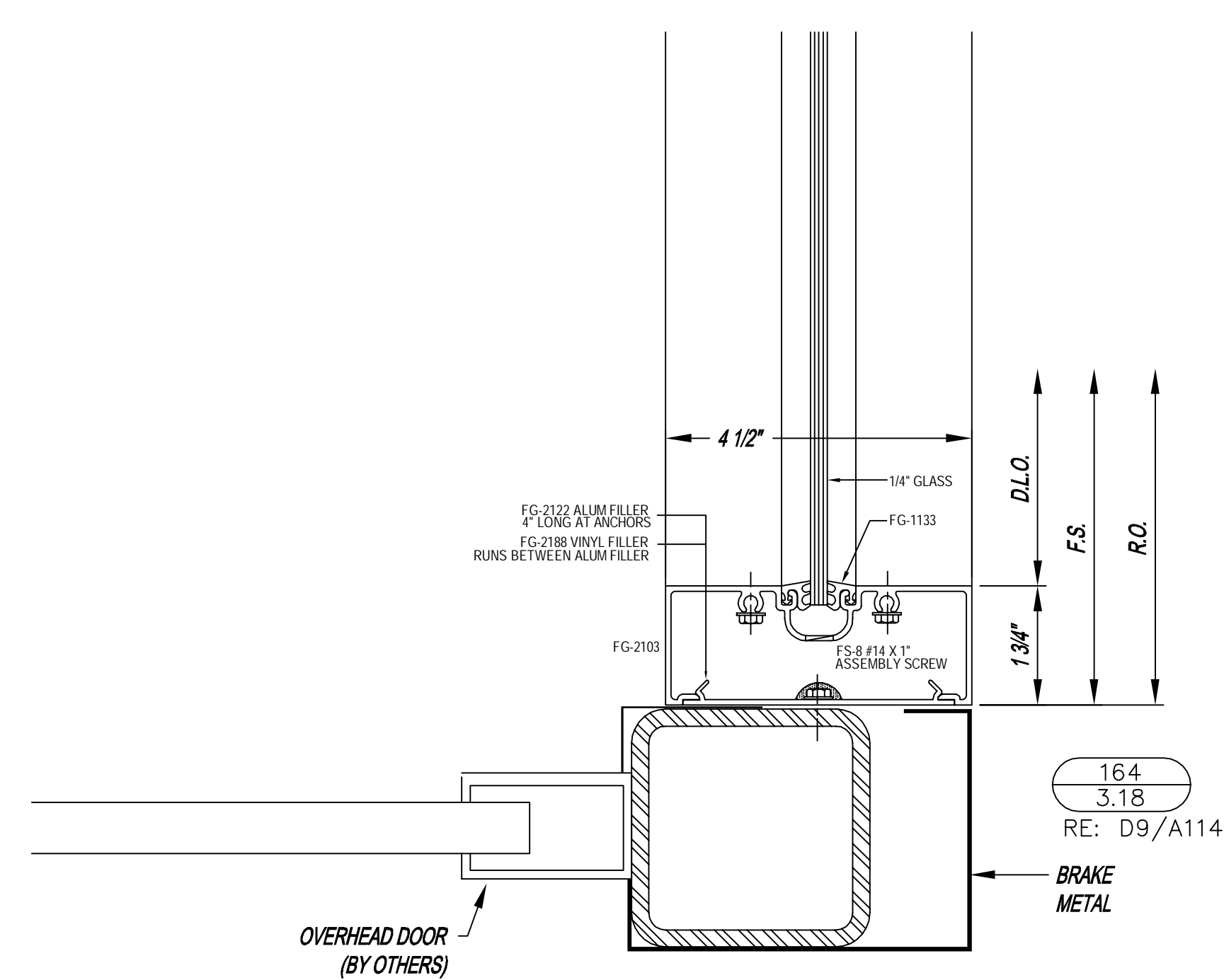
166
3.18
RE: NA



167
3.18
RE: NA



163
3.18
RE: D9/A114



164
3.18
RE: D9/A114

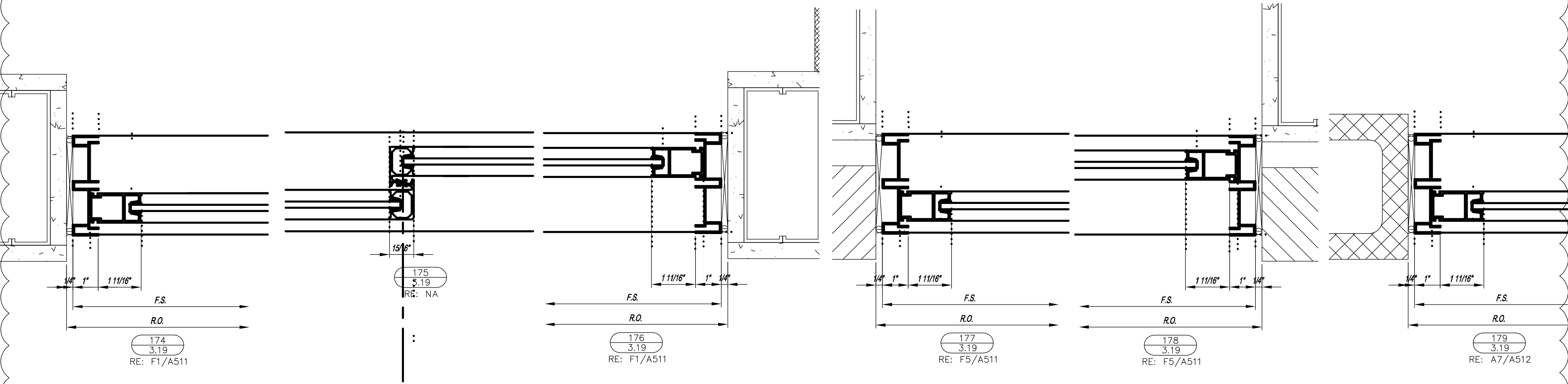
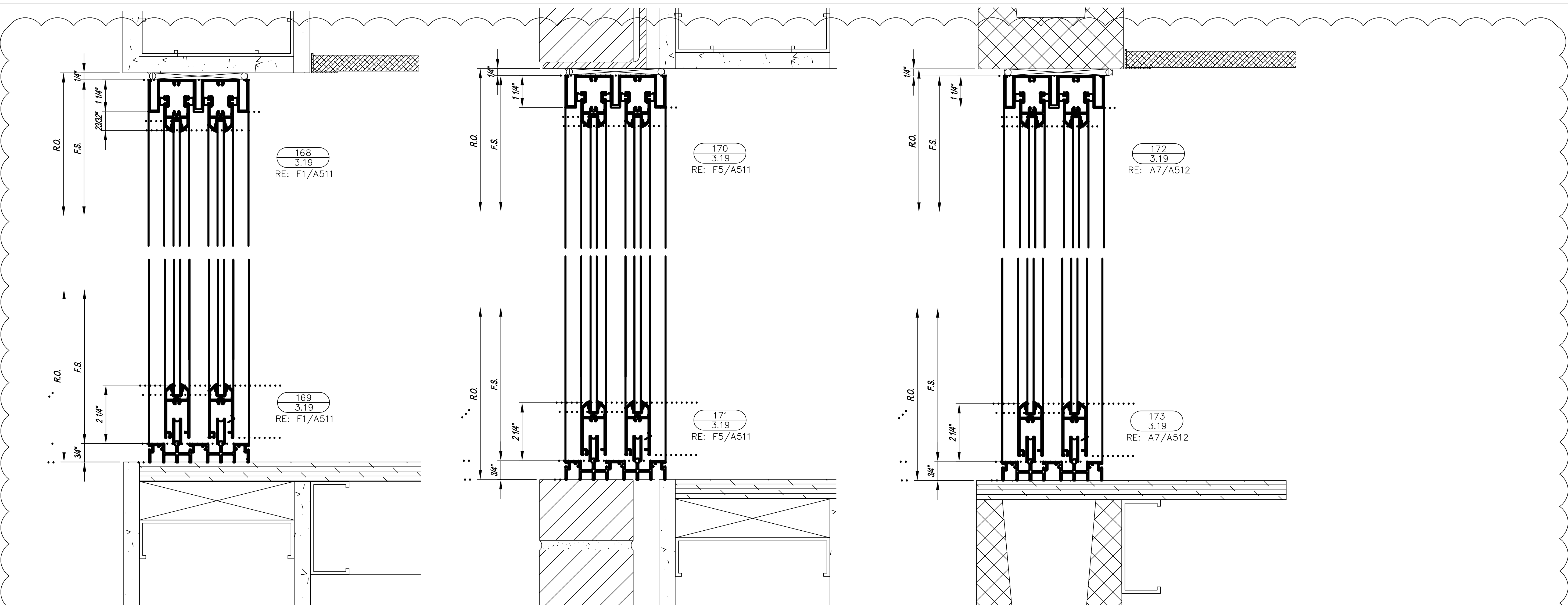
NO	DESCRIPTION	DATE
10/30/11	1ST. REVISION	8/11/11
8/11/11	1ST. SUBMISSION	8/11/11

PROJECT NAME AND ADDRESS

PROJECT: PROJECT NAME AND ADDRESS

DRAWN BY: GL	DATE: 8/11/11
CHECKED BY: CCW	DATE: 8/11/11
JOB NAME: PINE SHADOWS ELEMENTARY	
SHEET NO.: 3.18	

DRAWING SUBMISSION

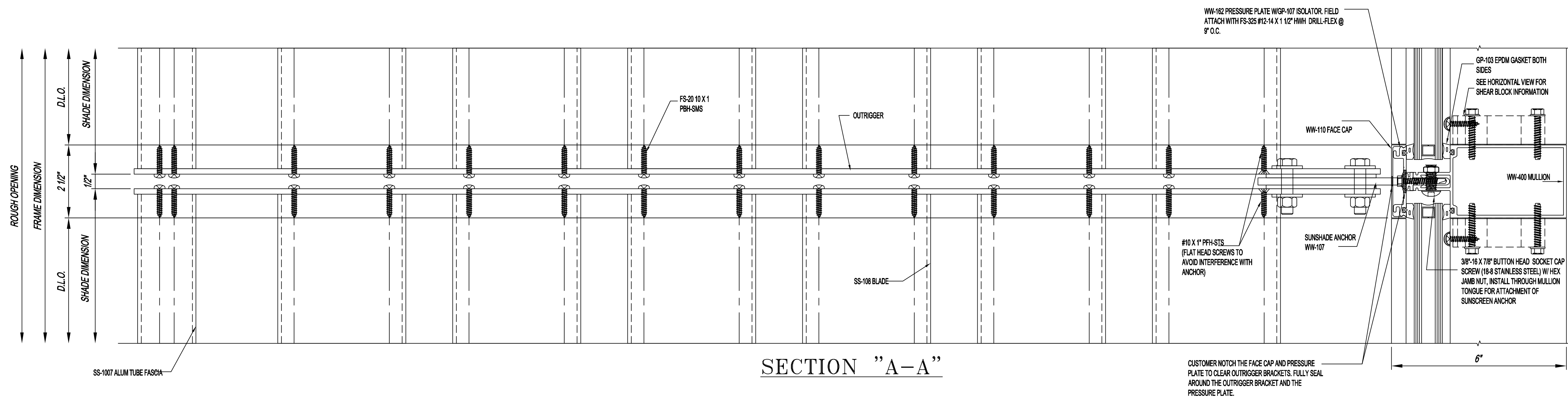
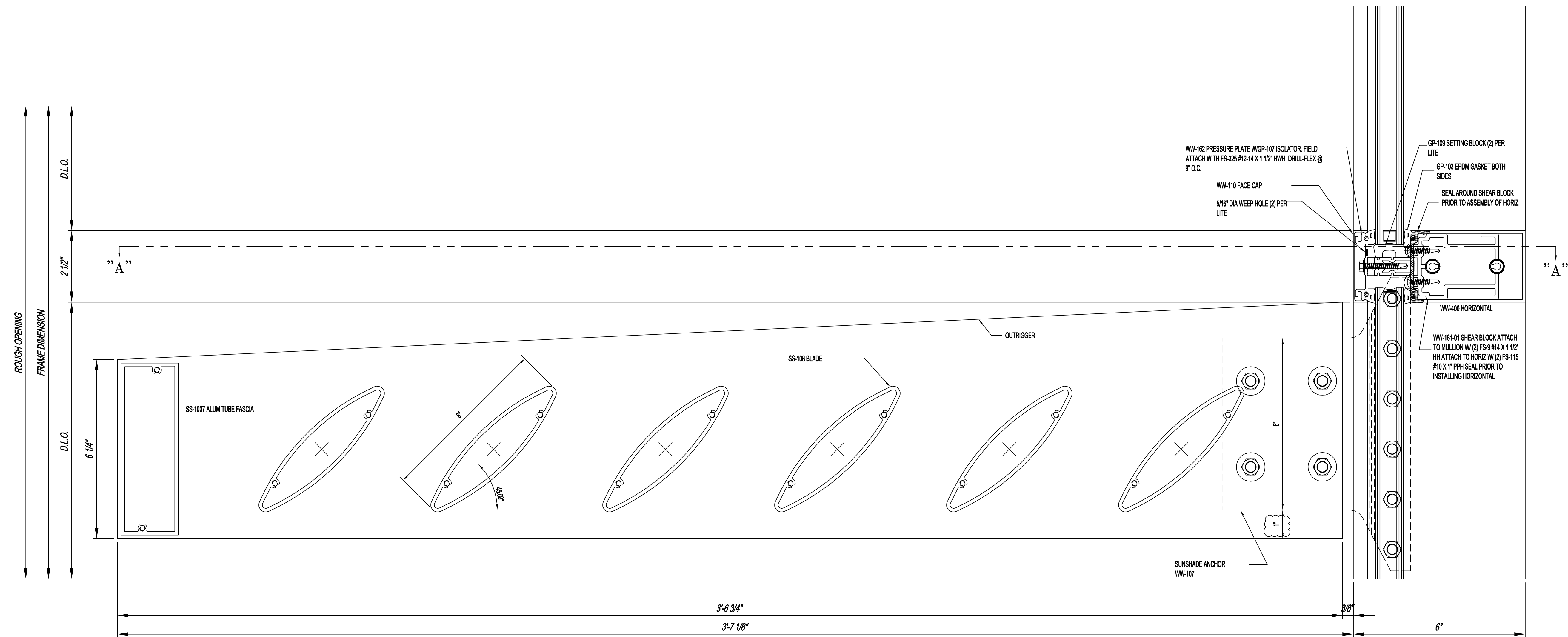


METAL CRAFT SERVICE SLIDERS

NO.	DESCRIPTION	DATE
10/30/11	1ST. REVISION	10/30/11
8/11/11	1ST. SUBMISSION	8/11/11

PROJECT NAME AND ADDRESS

PROJECT:	PROJECT NAME AND ADDRESS
DRAWN BY:	GL
CHECKED BY:	CCW
DATE:	8/11/11
DATE:	8/11/11
JOB NAME:	PINE SHADOWS ELEMENTARY
SHEET NO.:	3.19



SECTION "A-A"

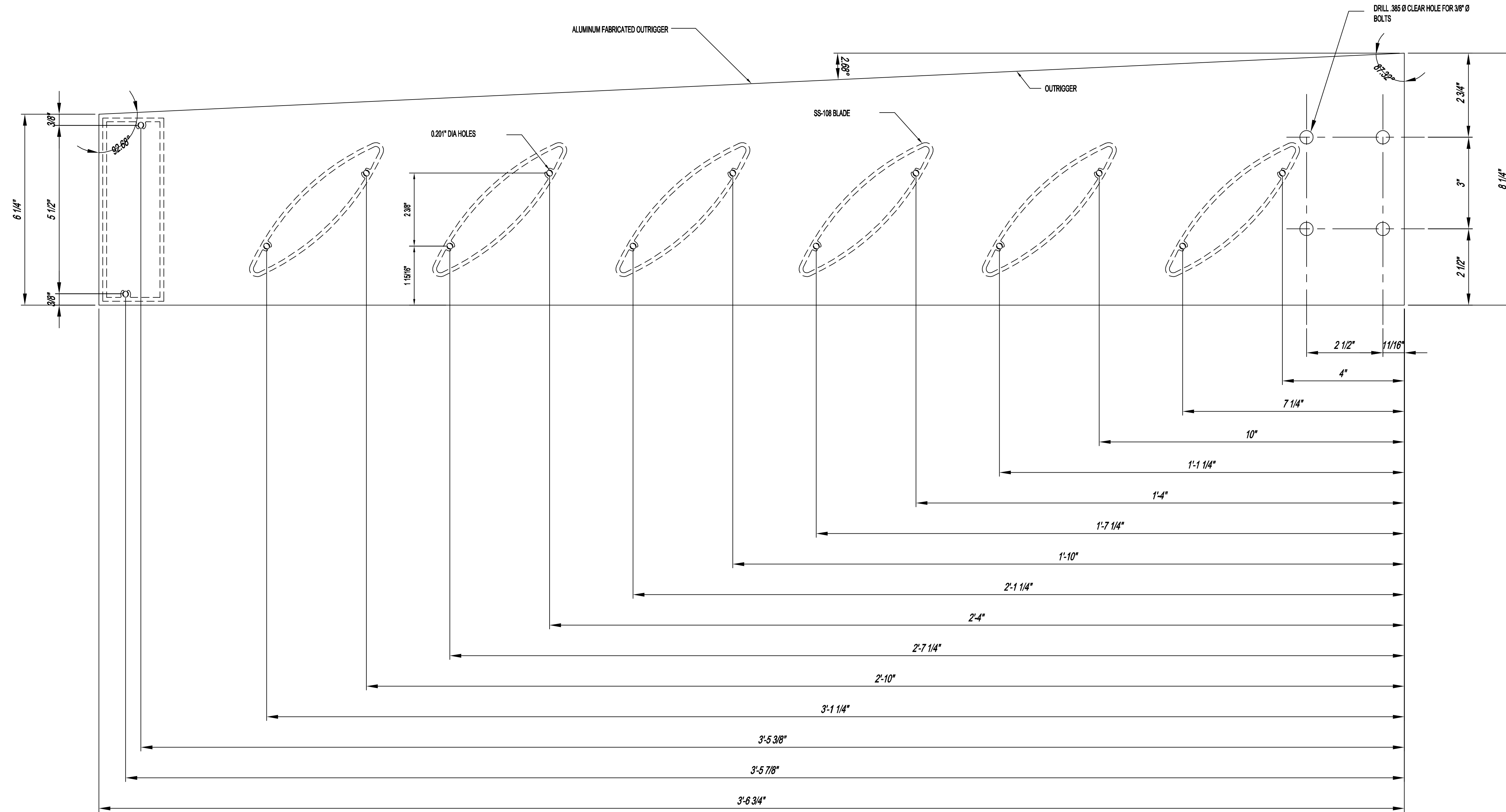
CUSTOMER NOTCH THE FACE CAP AND PRESSURE PLATE TO CLEAR OUTRIGGER BRACKETS. FULLY SEAL AROUND THE OUTRIGGER BRACKET AND THE PRESSURE PLATE.

PROJECT NAME AND ADDRESS

PROJECT: PROJECT NAME AND ADDRESS

DRAWN BY: GL	DATE: 8/11/11
CHECKED BY: CCW	DATE: 8/11/11
JOB NAME: PINE SHADOWS ELEMENTARY	
SHEET NO.: 4.01	

10/30/11	10/30/11	DATE
8/11/11	8/11/11	DATE
NO	DESCRIPTION	DESCRIPTION
		DRAWING SUBMISSION



NO	DESCRIPTION	DATE
10/30/11	1ST. REVISION	10/30/11
8/11/11	1ST. SUBMISSION	8/11/11
	DRAWING SUBMISSION	

PROJECT NAME AND ADDRESS

PROJECT:	PROJECT NAME AND ADDRESS
DRAWN BY:	GL
CHECKED BY:	CCW
DATE:	8/11/11
ARCHITECT:	
CUSTOMER:	
JOB NAME:	PINE SHADOWS ELEMENTARY
SHEET NO.:	4.02

NO	DESCRIPTION	DATE
1ST. SUBMISSION		8/11/11
1ST. REVISION		10/30/11

DRAWING SUBMISSION

PROJECT NAME AND ADDRESS

PROJECT: PROJECT NAME AND ADDRESS

ARCHITECT: ARCHITECT

CUSTOMER: CUSTOMER

DRAWN BY: GL

DATE: 8/11/11

CHECKED BY: CCW

DATE: 8/11/11

JOB NAME:

PINE SHADOWS ELEMENTARY

SHEET NO.:

4.03

