



## DUO BLAST®180SV3 Wet-Dry Abrasive Blasting System

Medium capacity and highly portable unit designed specifically for industrial use

### THE ONE-STOP MACHINE FOR OPEN BLAST CLEANING

#### Main Features

- Blasting pressure from 30-160Psi
- 180kg media capacity allowing over 1-1 ½ hours of blasting
- Air and water filtration system
- Water level monitoring system
- Works wet or dry on demand
- Safe & easy-to-use controls
- Stainless steel construction
- Fully contained, built-in water reserve.

• **WET BLAST • DRY BLAST • WASH DOWN • BLOW DOWN**



All DUO BLAST® systems feature a CE certified stainless-steel control panel, with four blast selections. The user simply sets the toggles and the machine does all the hard work!



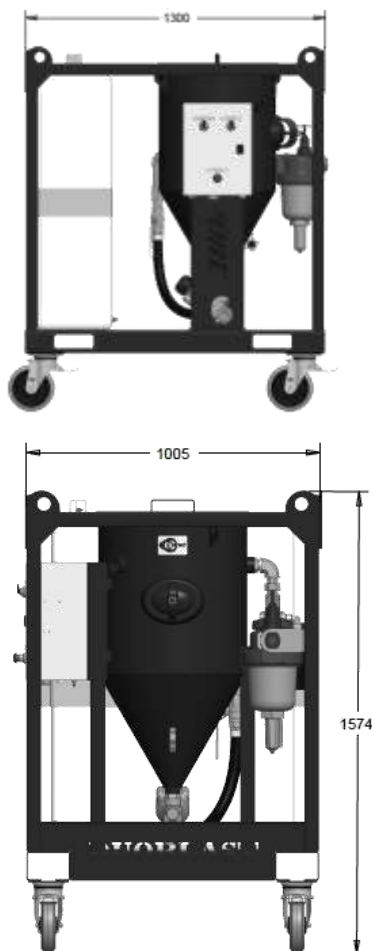
Easily adjust both water and grit flow at the machine's grit valve for optimum machine performance. With the DUO BLAST® water injection system (Patent-Pending) chances of slurry blockages are eliminated! Reducing downtime with maximum work rates, gets the job done!



## 180SV3 Technical

### Machine Specifications

- Weight: 250kg (dry)
- Abrasive Capacity: 180kg
- Design Code: PED2014/68 EU/AD200 Merkblatter
- 12 bar rated vessel
- Water capacity: 250 (Litres)
- Water Consumption: 0.2-2 Lpm (Adjustable)
- Grit Consumption: 50-180kg P/Hr (Adjustable)
- Air requirement: 150-500cfm  
\*(Nozzle size dependent)
- Blast Pressure: adjustable 05-160Psi



### Parts Specifications

- Norgren High-flow filter regulator
- Water/air filtration system
- Hopper vibrator for fine medias
- Normally closed abrasive metering valve
- 10M of blast hose with sheathed lines
- Pot lid
- 1/2" Tungsten carbide venturi nozzle\*
- Lightweight S/S frame, fully portable & suitable for deck mounting
- Castor mounted crash frame/swivel/braked
- Norgren Stainless steel control panel

#### Optional Extras:

- Blast hose extensions up to 300ft
- Breathing filter regulator
- Air-fed helmet
- 900cfm filter/regulator
- Pot sieve

*All Duo Blast systems come with a 2 year parts & labour warranty as standard.*

**DUO-BLAST®**

DEALER STAMP HERE