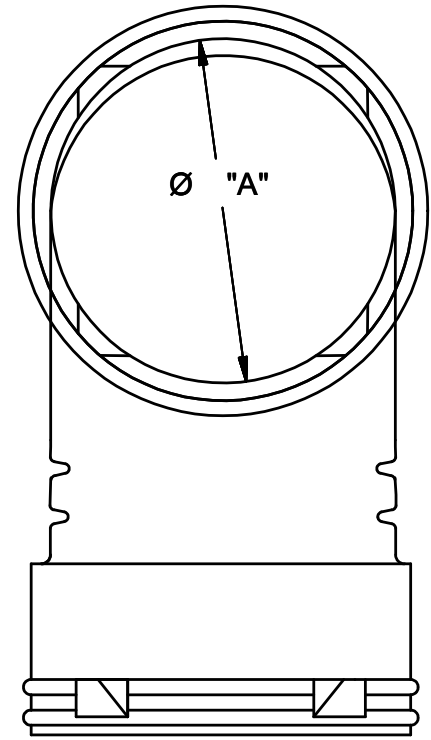
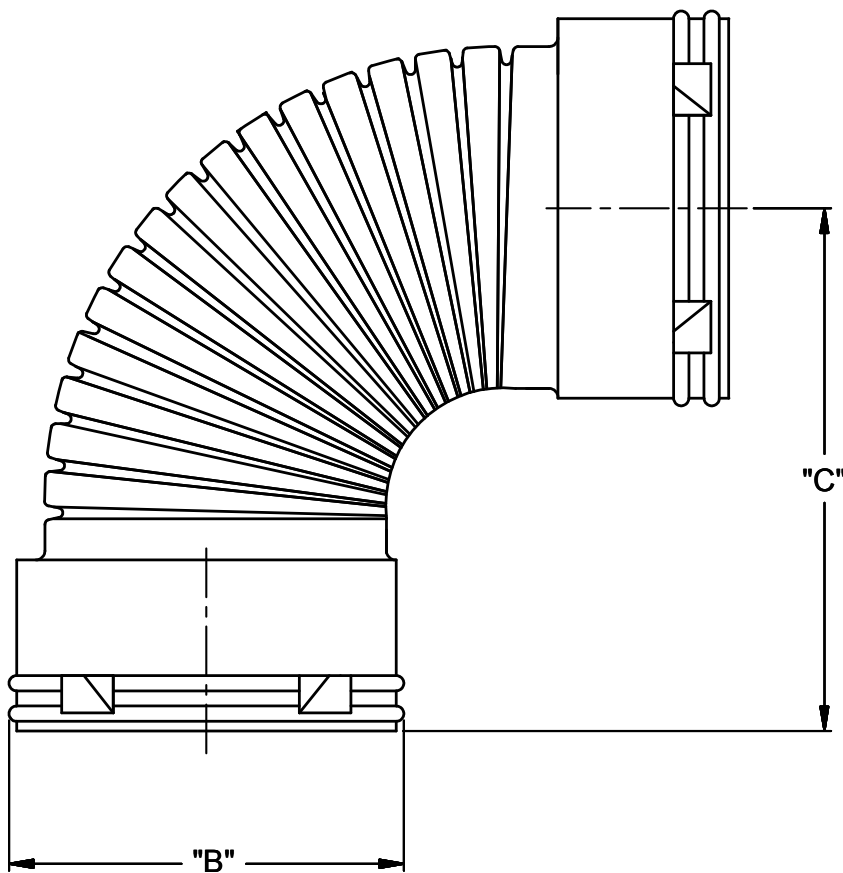


90° ELBOW - 1/4 BEND

TECHNICAL INFORMATION

Part #	Size	Desc.	A	B	C
C-303	3"	HxH	3.313	4.000	5.000
C-304	4"	HxH	4.54	5.09	5.75
C-306	6"	HxH	6.250	7.500	8.250



www.normandyproducts.com

T: 800.322.9463 | F: 800.910.0134

324 Delaware Avenue | PO Box 446 | Oakmont PA 15139