



AUTOMATION COMPONENTS

2018

# PRESS FIT SYSTEM TECHNICAL CATALOG

**LAMMAS s.r.l.**

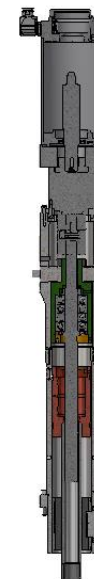
Strada Castellamonte-Bairo 1/A  
10010 Bairo (TO) Italy.

Tel: +390124501266

Fax: +390124501047

Email: [ufcomm@lammas.it](mailto:ufcomm@lammas.it)

Website: [www.lammas.it](http://www.lammas.it)



## GENERAL CLAUSES

While every effort has been made to ensure the accuracy and completeness of the information contained in this document, the possibility of errors or omissions in data or technical specifications cannot be entirely excluded. The specifications or data in this document are therefore subject to change without prior notice, in which case the manual will be updated.

If you have any questions or notice any inaccuracies, please contact our office:



Strada Provinciale Castellamonte 1/A  
10100 Bairo Canavese (TO) Italy

Telephone +39.0124.501266 / 501047

Fax +39.0124.501326

E-mail: [ufcomm@lammas.it](mailto:ufcomm@lammas.it)

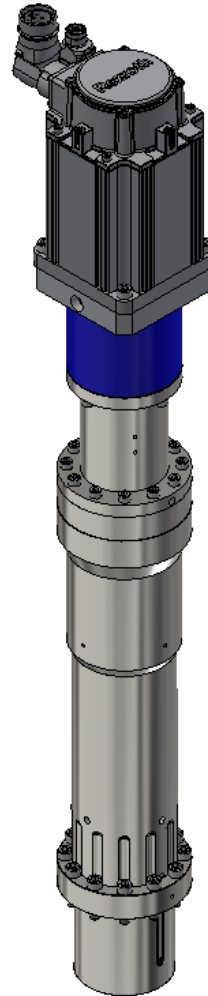
Website: [www.lammas.it](http://www.lammas.it)

This manual contains information of a strictly technical nature that is the property of **Lammas S.r.l.** No part of this document may be reproduced, disclosed or modified without the owner's written authorisation. All rights reserved by Lammas S.r.l.

# PRODUCT LINE

## PL04 SERIES

FOR CAD FILES  
ASK TO  
[ufcomm@lammas.it](mailto:ufcomm@lammas.it)



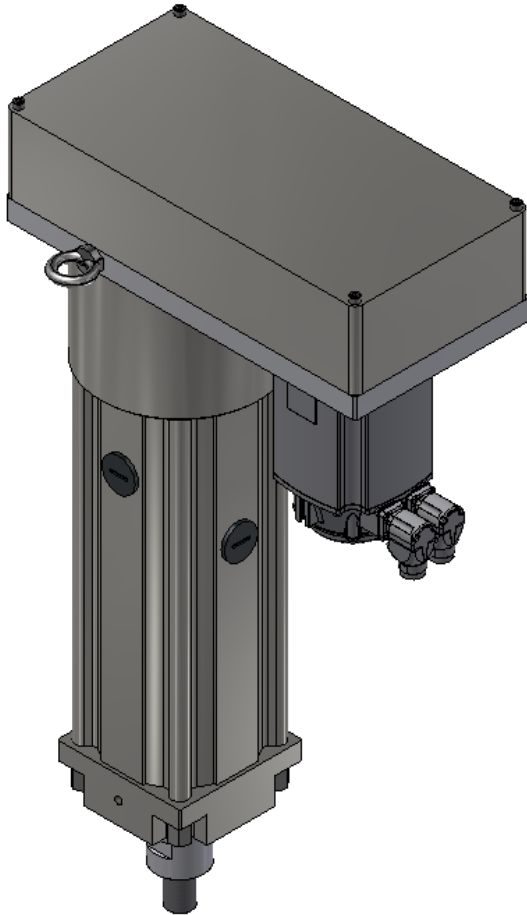
CODE	POWER	STROKE
PL04 0030 0150	30 kN	150 mm
PL04 0030 0250	30 kN	250 mm
PL04 0060 0150	60 kN	150 mm
PL04 0060 0250	60 kN	250 mm
PL04 0080 0150	80 kN	150 mm
PL04 0080 0250	80 kN	250 mm
PL04 0120 0100	120 kN	100 mm
PL04 0120 0150	120 kN	150 mm
PL04 0120 0250	120 kN	250 mm
PL04 0120 0300	120 kN	300 mm
PL04 0120 0400	120 kN	400 mm
PL04 0150 0150	150 kN	150 mm
PL04 0150 0250	150 kN	250 mm
PL04 0150 0400	150 kN	400 mm

FOR DIFFERENT STROKE ASK TO OUR COMMERCIAL DEPARTMENT

## PRODUCT LINE

### PT01 SERIES

FOR CAD FILES  
ASK TO  
[ufcomm@lammas.it](mailto:ufcomm@lammas.it)

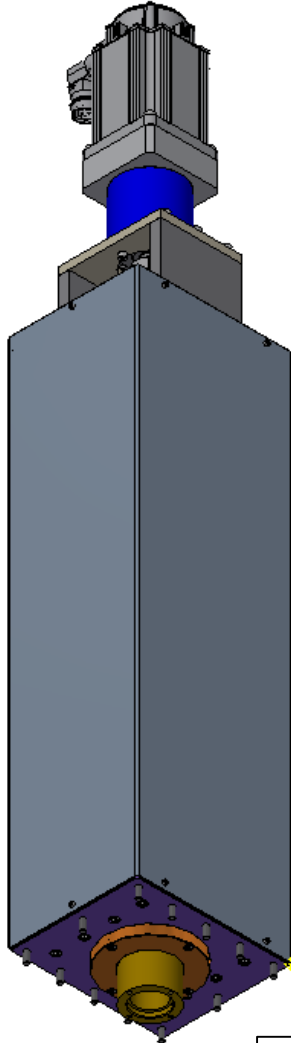


CODE	POWER	STROKE
PT01 0030 0150	30 kN	150mm
PT01 0030 0250	30 kN	250mm

FOR DIFFERENT STROKE ASK TO OUR COMMERCIAL DEPARTMENT

## PRODUCT LINE

### PS SERIES

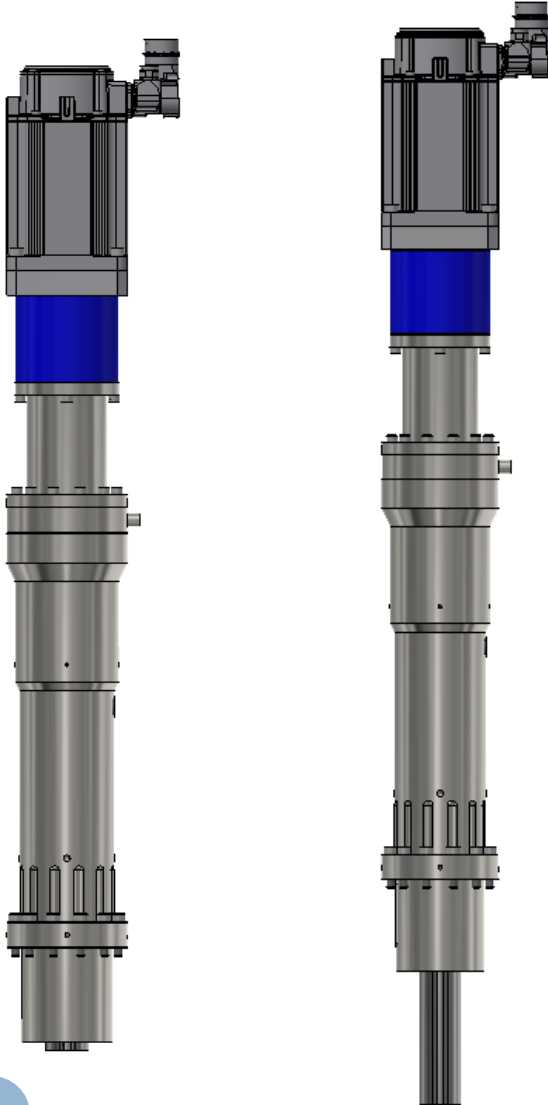


CODE	POWER	STROKE
PS 0060 0150	60 kN	150mm
PS 0060 0250	60 kN	250mm
PS 0080 0150	80 kN	150mm
PS 0080 0250	80 kN	250mm
PS 0120 0150	120 kN	150mm
PS 0120 0250	120 kN	250mm

FOR DIFFERENT STROKE ASK TO OUR COMMERCIAL DEPARTMENT

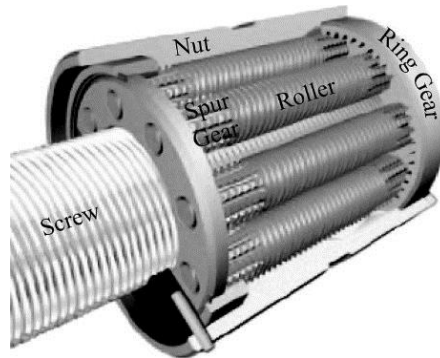
## TECHNICAL DATA SHEET

PLO4 SERIES “The compact solutions”



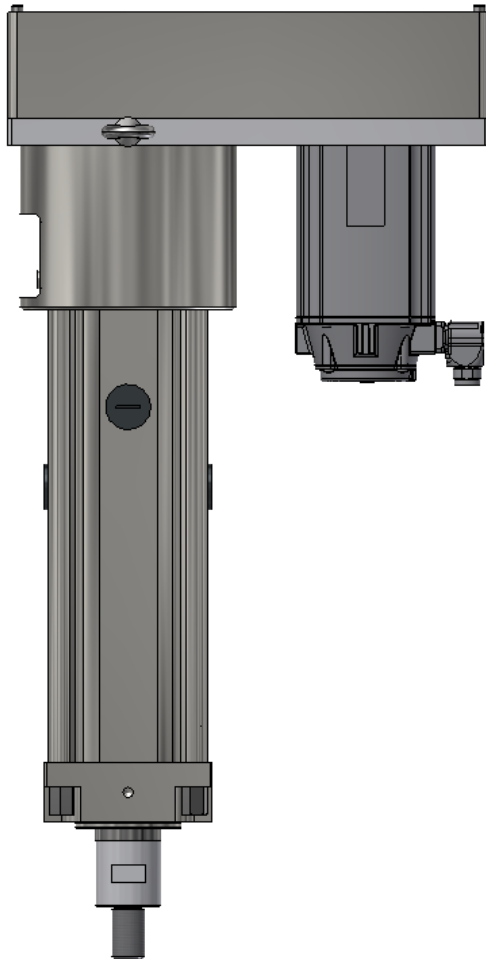
### PRESS COMPOSITION:

- Press spindle with planetary recirculating roller screw
- Vertical movement with ball splines
- Brushless motor with absolute encoder and cable kit
- Planetary gearbox
- Load cell, signal amplifier and cable set
- Digital operator interface
- Basic software for process data management and back-up



# TECHNICAL DATA SHEET

## PT01 SERIES



### PRESS COMPOSITION:

- Press spindle with recirculating ball screw
- Brushless motor with absolute encoder and cable kit
- Load cell, signal amplifier and cable set
- Digital operator interface
- Basic software for process data management and back-up



FOR CAD FILES  
ASK TO  
[ufcomm@lammas.it](mailto:ufcomm@lammas.it)

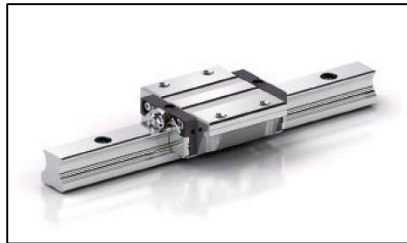
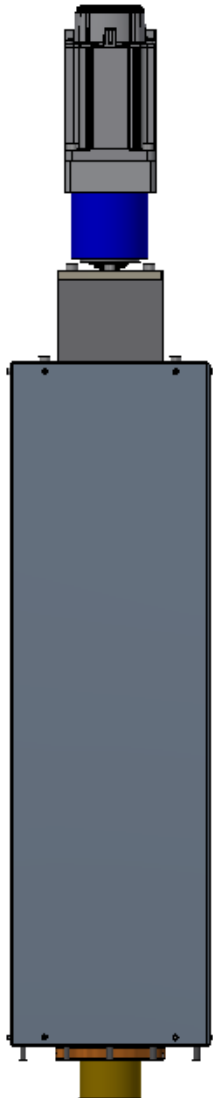
## TECHNICAL DATA SHEET

NEWS 2018

### PS SERIES “The easy maintenance solutions”

#### Press composition:

- Press spindle with recirculating ball screw
- Vertical movement with linear guide.
- Brushless motor with absolute encoder and cable kit
- Planetary gearbox
- Load cell, signal amplifier and cable set
- Digital operator interface
- Basic software for process data management and back-up

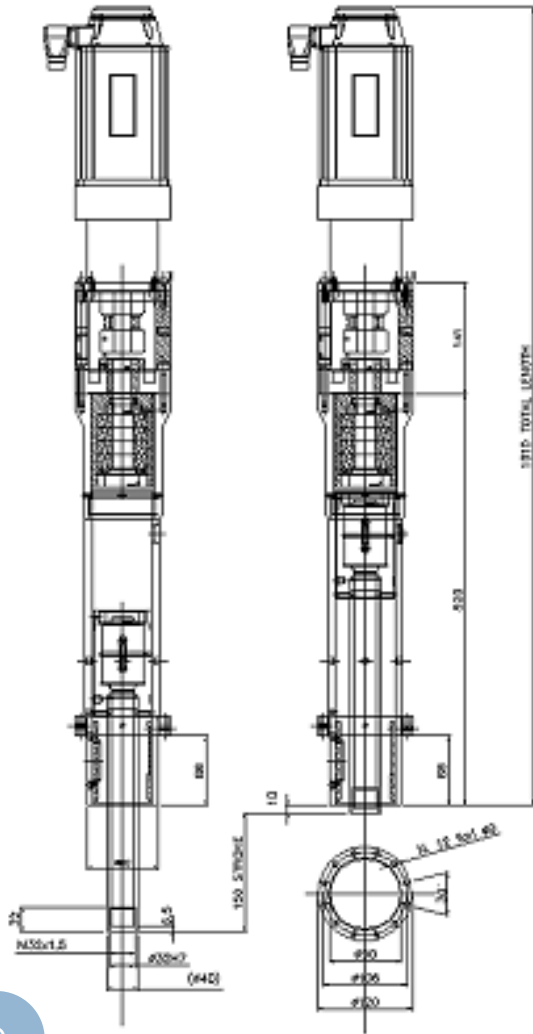


FOR CAD FILES  
ASK TO  
[ufcomm@lammas.it](mailto:ufcomm@lammas.it)



## TECHNICAL DATA SHEET

PL04 0030 0150  
PL04 0060 0150



MECHANICAL SPECIFICATION	PL04 0030 0150	PL04 0060 0150
RATED FORCE* PUSH	30 kN	60 kN
RATED FORCE* PULL	30 kN	60 kN
STROKE	150 mm	150 mm
MAX. SPEED	300 m/s	300 m/s
POSITIONAL REPEATIBILITY	< ± 0,01 mm	< ± 0,01 mm

\*RACOMMENDED OPERATING RANGE 10-80%

SENSOR SPECIFICATION	PL04 0030 0150	PL04 0060 0150
LOAD CELL	± 40 kN	± 80 kN
ACCURACY	< ±0,5% OF RATED FORCE.	

## TECHNICAL DATA SHEET

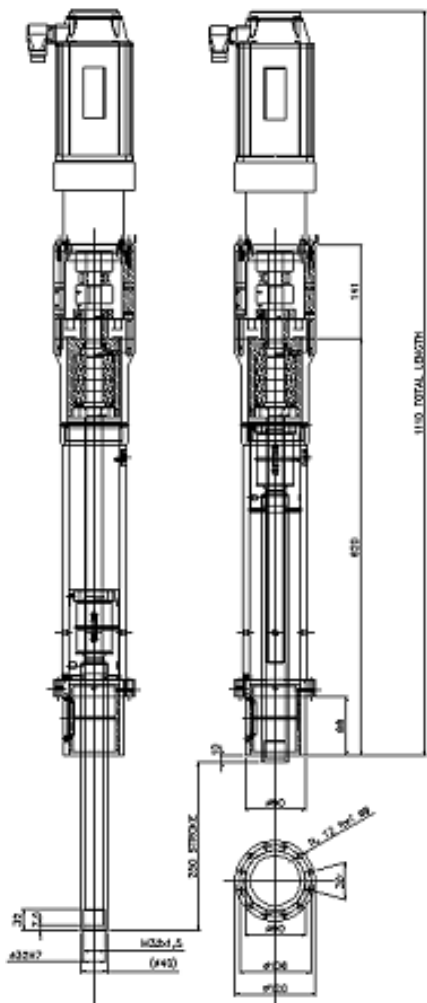
PL04 0030 0250

PL04 0060 0250

MECHANICAL SPECIFICATION	PL04 0030 0250	PL04 0060 0250
RATED FORCE* PUSH	30 kN	60 kN
RATED FORCE* PULL	30 kN	60 kN
STROKE	250 mm	250 mm
MAX. SPEED	300 m/s	300 m/s
POSITIONAL REPEATIBILITY	< ± 0,01 mm	< ± 0,01 mm

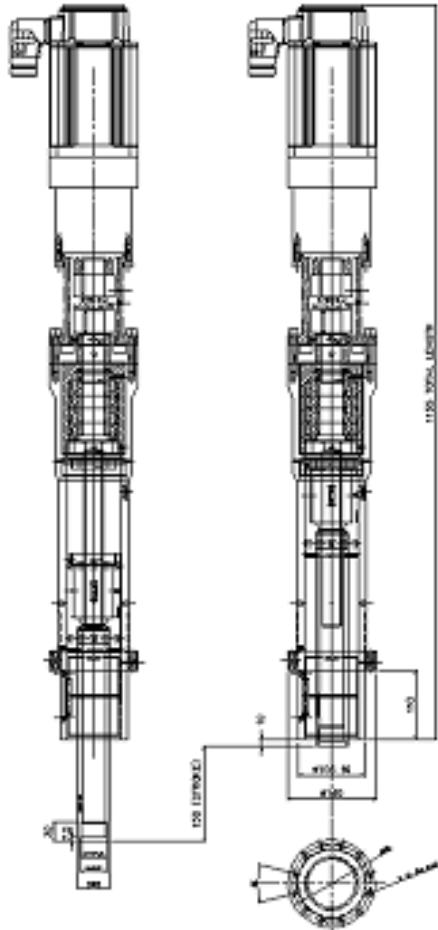
\*RACOMMENDED OPERATING RANGE 10-80%

SENSOR SPECIFICATION	PL04 0030 0250	PL04 0060 0250
LOAD CELL	± 40 kN	± 80 kN
ACCURACY	< ±0,5% OF RATED FORCE.	

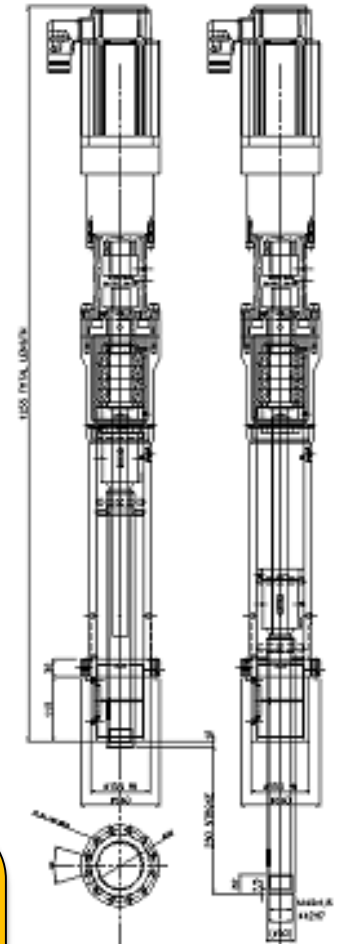


# TECHNICAL DATA SHEET

PL04 0080 0150



PL04 0080 0250



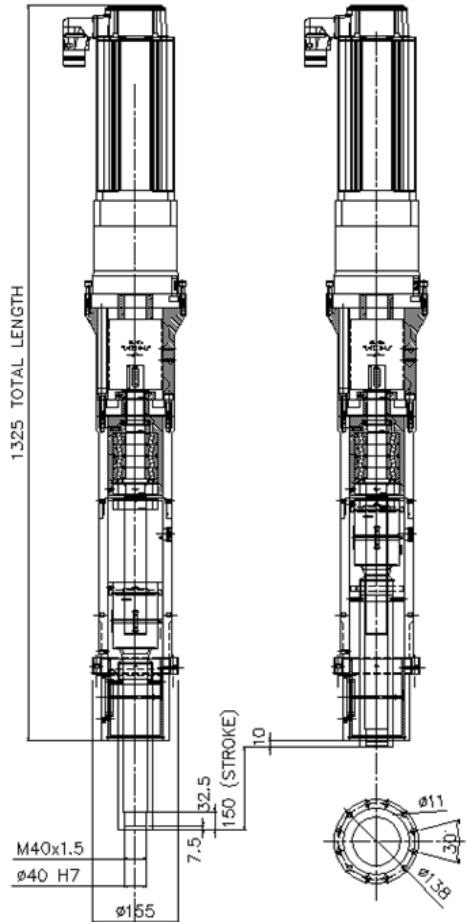
MECHANICAL SPECIFICATION	PL04 0080 0150	PL04 0080 0250
RATED FORCE* PUSH	80 kN	80 kN
RATED FORCE* PULL	80 kN	80 kN
STROKE	150 mm	250 mm
MAX. SPEED	300 m/s	300 m/s
POSITIONAL REPEATIBILITY	< ± 0,01 mm	< ± 0,01 mm

\*RACOMMENDEO OPERATING RANGE 10-80%

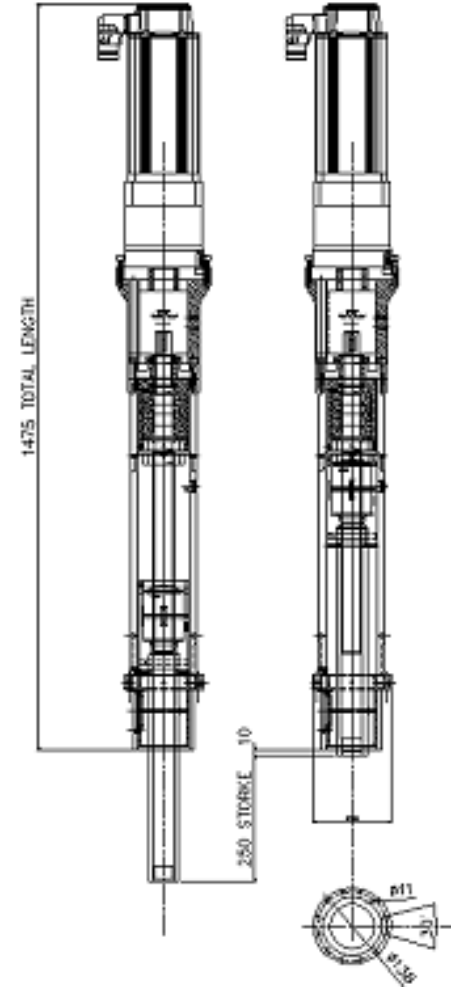
SENSOR SPECIFICATION	PL04 0080 0150	PL04 0080 0250
LOAD CELL	± 100kN	± 100kN
ACCURACY	< ± 0,5% OF RATED FORCE.	

FOR CAD FILES  
ASK TO  
[ufcomm@lammas.it](mailto:ufcomm@lammas.it)

PL04 0120 0150



PL04 0120 0250



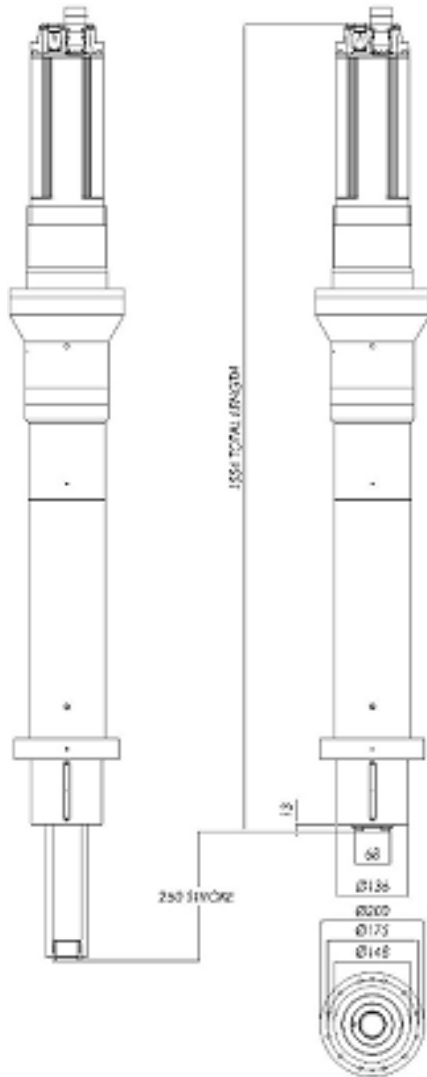
MECHANICAL SPECIFICATION	PL04 0120 0150	PL04 0120 0250
RATED FORCE* PUSH	120 kN	120 kN
RATED FORCE* PULL	120 kN	120 kN
STROKE	150 mm	250 mm
MAX. SPEED	300 m/s	300 m/s
POSITIONAL REPEATABILITY	< ± 0,01 mm	< ± 0,01 mm

\*RACOMMENDED OPERATING RANGE 10-80%

SENSOR SPECIFICATION	PL04 0120 0150	PL04 0120 0250
LOAD CELL	± 120 kN	± 120 kN
ACCURACY	< ±0,5% OF RATED FORCE.	

## TECHNICAL DATA SHEET

PL04 0150 0250



MECHANICAL SPECIFICATION	PL04 0150 0150	PL04 0150 0250	PL04 0150 0400
RATED FORCE* PUSH	150 kN	150 kN	150 kN
RATED FORCE* PULL	150 kN	150 kN	150 kN
STROKE	150 mm	250 mm	400 mm
MAX. SPEED	300 m/s	300 m/s	300 m/s
POSITIONAL REPEATIBILITY	< ± 0,01 mm		

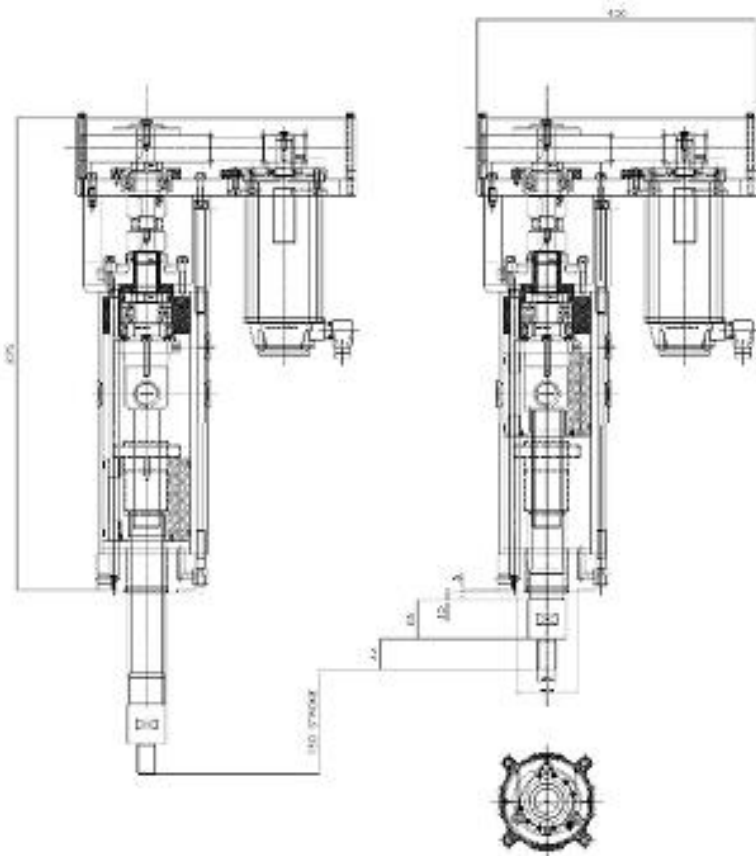
\*RACOMMENDED OPERATING RANGE 10-80%

SENSOR SPECIFICATION	PL04 0150 0150 PL04 0150 0250 PL04 0150 0400
LOAD CELL	±150 kN
ACCURACY	< ±0,5% OF RATED FORCE.

FOR CAD FILES  
ASK TO  
[ufcomm@lammas.it](mailto:ufcomm@lammas.it)

## TECHNICAL DATA SHEET

PT01 0030 0150



MECHANICAL SPECIFICATION	PT01 0030 0150	PT01 0030 0250
RATED FORCE* PUSH	30 kN	30 kN
RATED FORCE* PULL	30 kN	30 kN
STROKE	150 mm	250 mm
MAX. SPEED	300 m/s	300 m/s
POSITIONAL REPEATIBILITY	< ± 0,01 mm	< ± 0,01 mm

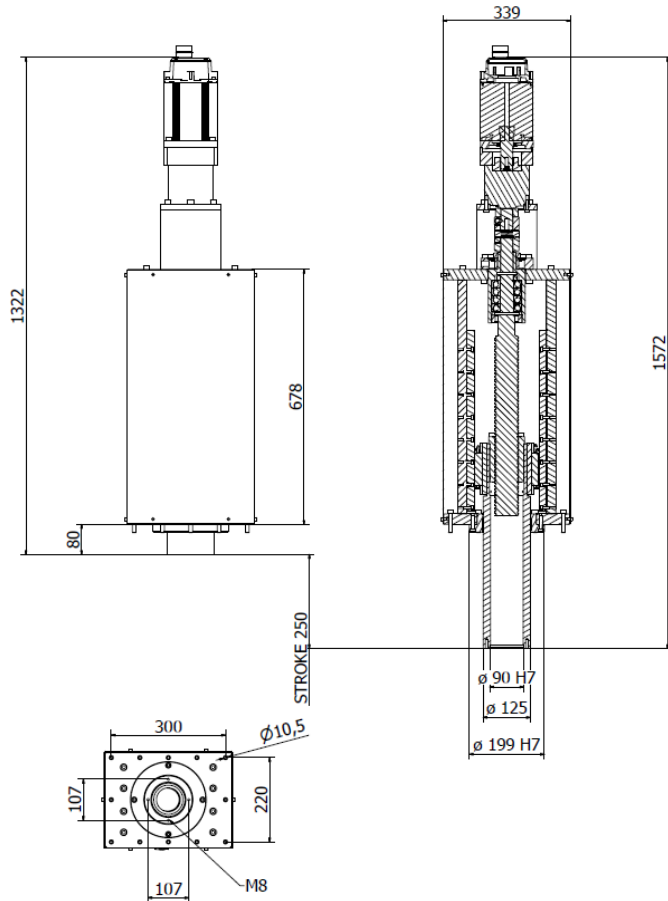
\*RACOMMENDED OPERATING RANGE 10-80%

SENSOR SPECIFICATION	PT01 0030 0150	PT01 0030 0250
LOAD CELL	± 40kN	± 40kN
ACCURACY	< ±0,5% OF RATED FORCE.	

## TECHNICAL DATA SHEET

NEWS 2018

PS 0080 0250



MECHANICAL SPECIFICATION	PS 0080 0150	PS 0080 0250
RATED FORCE* PUSH	80 kN	80 kN
RATED FORCE* PULL	80 kN	80 kN
STROKE	150 mm	250 mm
MAX. SPEED	300 m/s	300 m/s
POSITIONAL REPEATIBILITY	< ± 0,01 mm	< ± 0,01 mm

\*RACOMMENDED OPERATING RANGE 10-80%

SENSOR SPECIFICATION	PS 0080 0150	PS 0080 0250
LOAD CELL	± 100k N	± 100k N
ACCURACY	< ±0,5% OF RATED FORCE.	

FOR CAD FILES  
ASK TO  
[ufcomm@lammas.it](mailto:ufcomm@lammas.it)



AUTOMATION COMPONENTS

THANKS FOR YOUR ATTENTION

REPRODUCTION (EVEN IF PARTIAL) OF THIS TECHNICAL CATALOG IT'S **FORBIDDEN**.  
IT IS NOT ACCEPTED ANY RESPONSABILITY FOR ERRORS OR OMISSIONS.

**LAMMAS s.r.l.**

Strada Castellamonte-Bairo 1/A  
10010 Bairo (TO) Italy.

Tel: +390124501266

Fax: +390124501047

Email: [ufcomm@lammas.it](mailto:ufcomm@lammas.it)

Website: [www.lammas.it](http://www.lammas.it)

FOR CAD FILES  
ASK TO  
[ufcomm@lammas.it](mailto:ufcomm@lammas.it)