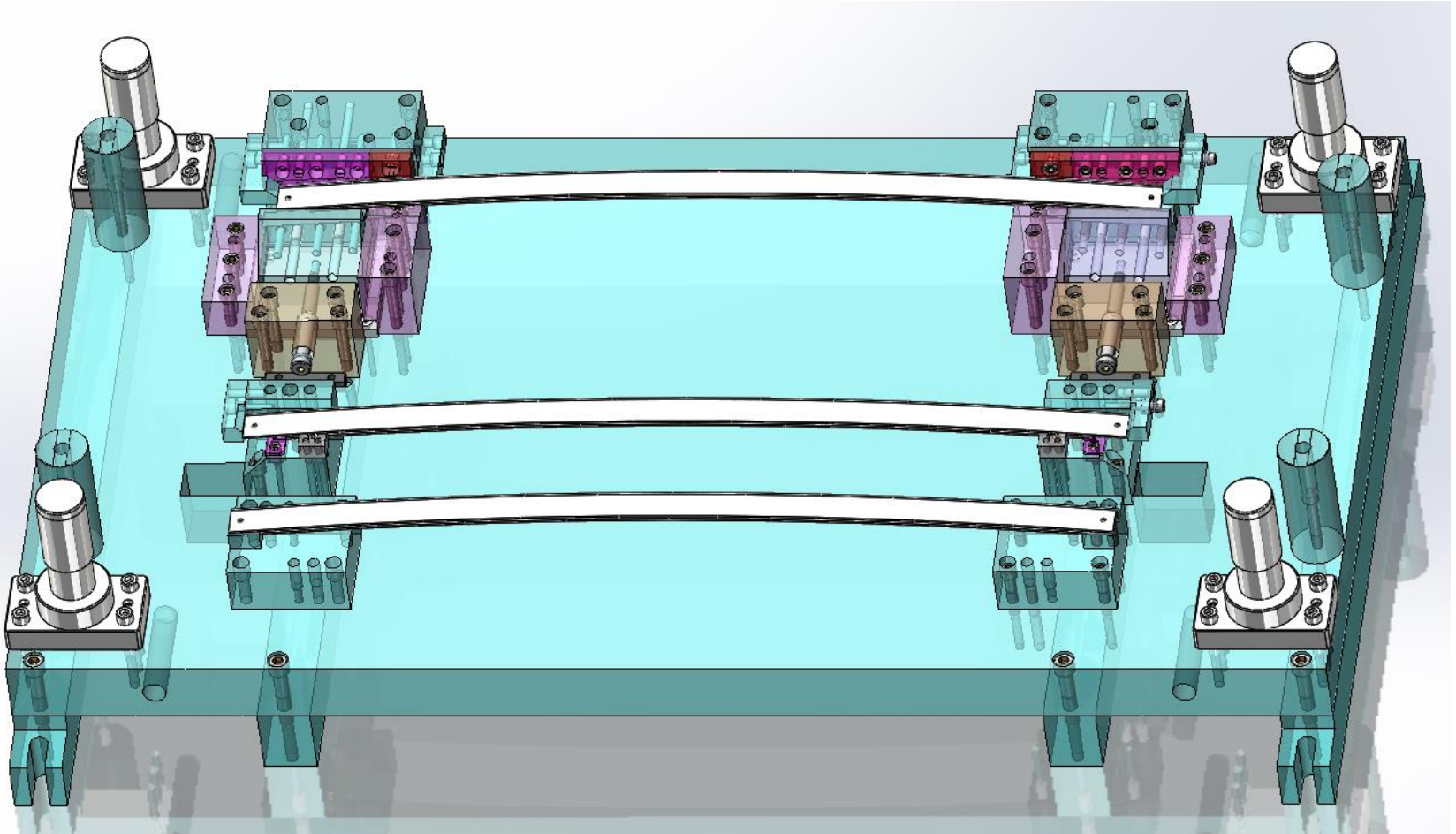
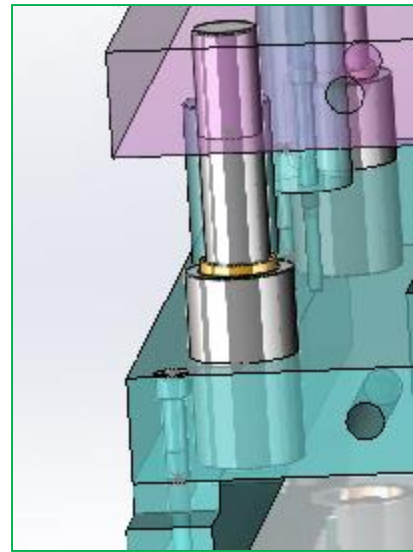
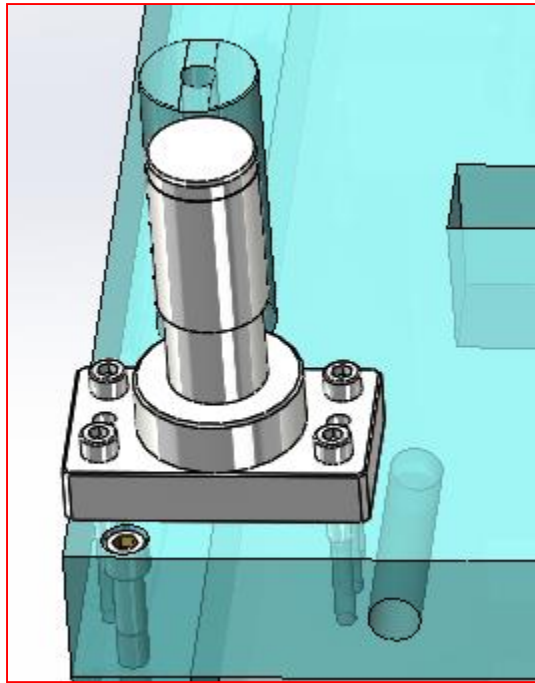


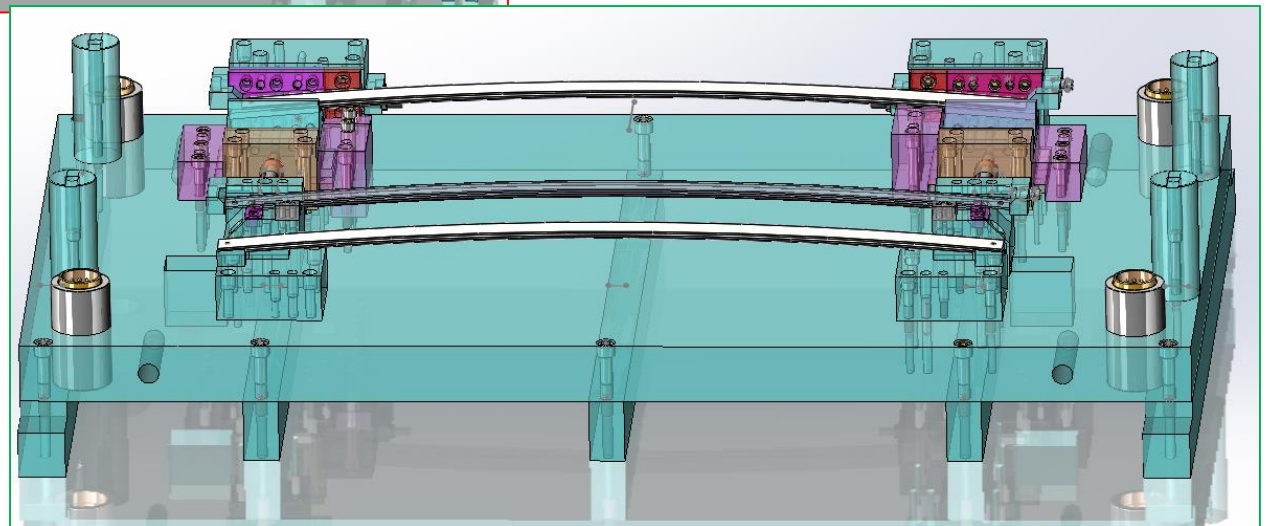
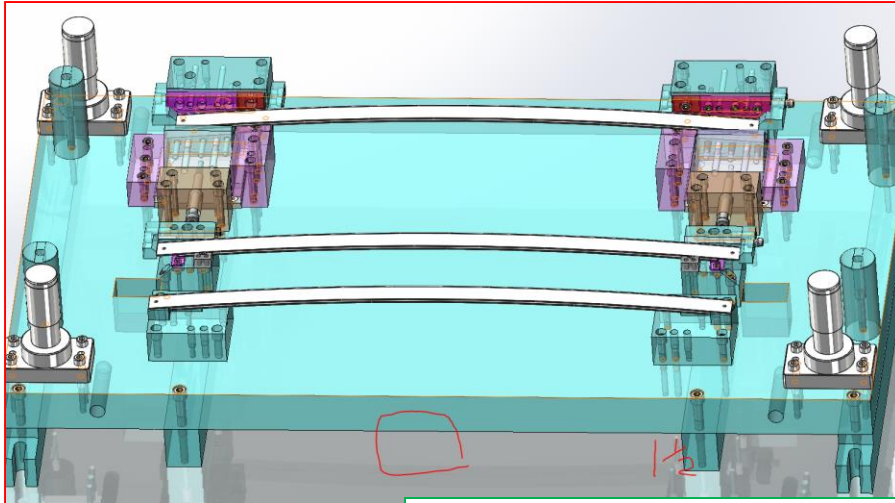
30026369 DIE REVIEW



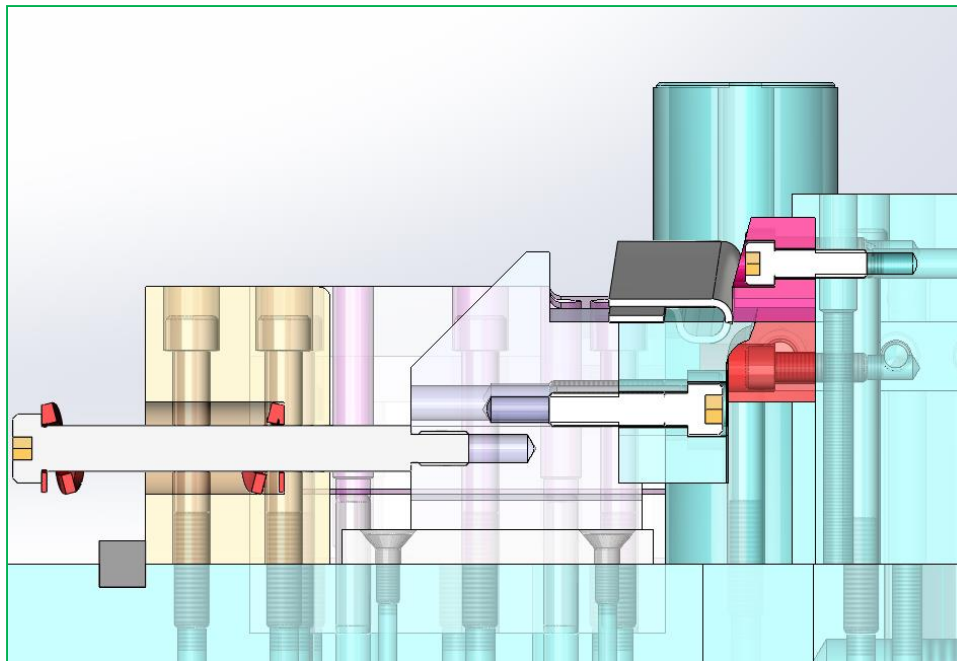
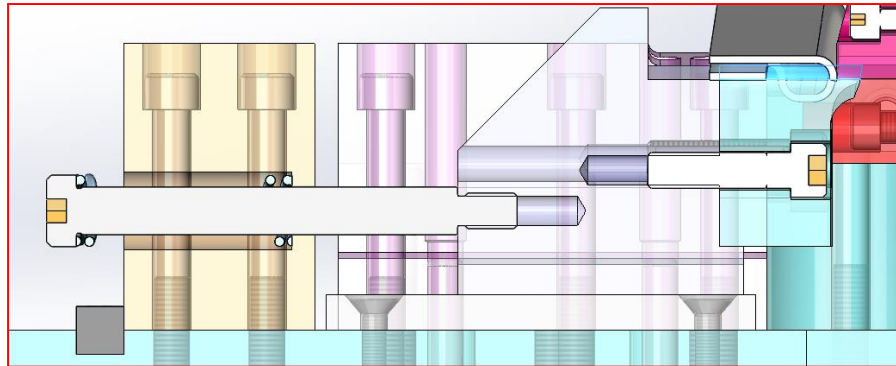
REGULAR BALL BEARING



ADD MIDDLE PARALLEL
MAKE INNER 1 1/2"



SHORTEN UP USE 1" RED SPRING



ADD EJECTOR

