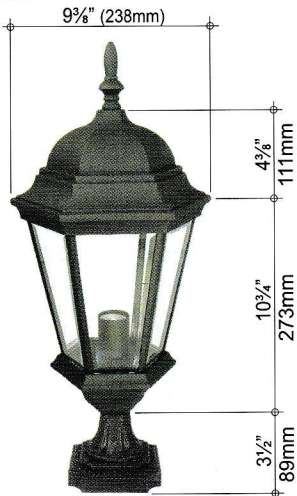


AMCO ANTIQUE LAMP POST WITH CASTLE LANTERN



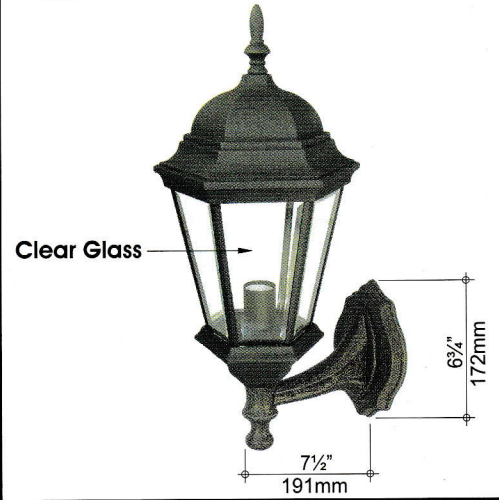
MODEL NO.
C7 - BD

MAX. 160W



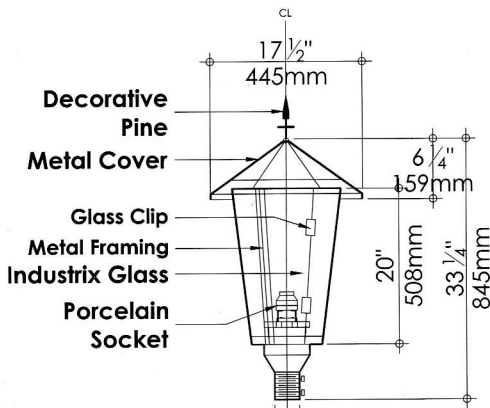
AVAILABLE COUPLING SIZE: 1 1/2 & 2"Ø

MODEL NO.
C7 - BDC



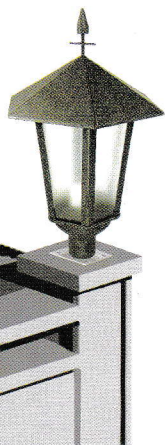
MODEL NO.
C7 - BDW

AMCO CASTLE LANTERN (METAL HOUSING)



WATTAGE:
125w to 250w(Ballast Type) 3" 76mm
160w to 250w(None Ballast)

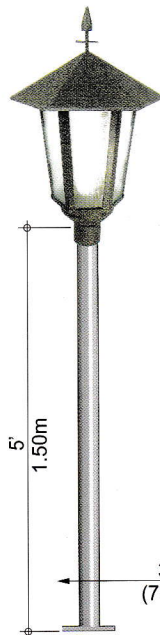
DETAILS & DIMENSION



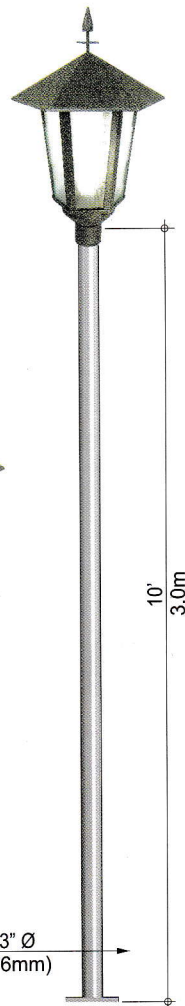
MODEL NO.
C - 35 - B



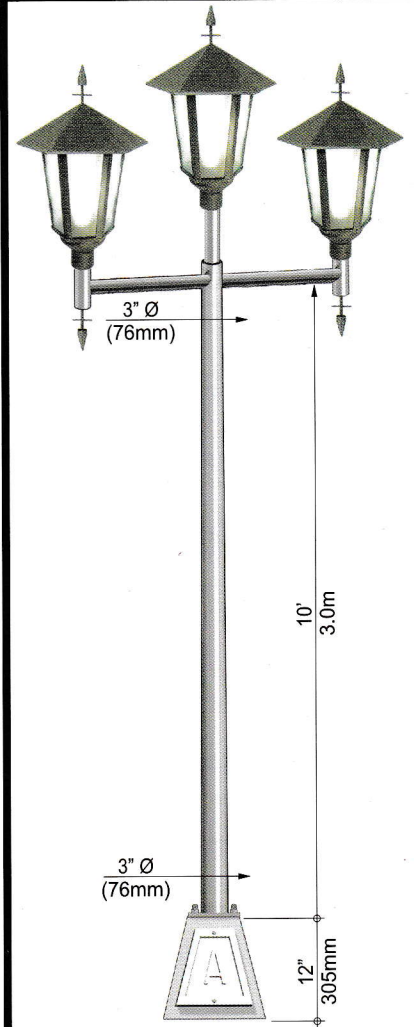
MODEL NO.
C - 40 - 2L



MODEL NO.
C40 - SP5



MODEL NO.
C40 - SP10



MODEL NO.
C40 - TP10 - 3L