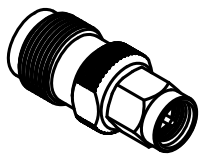
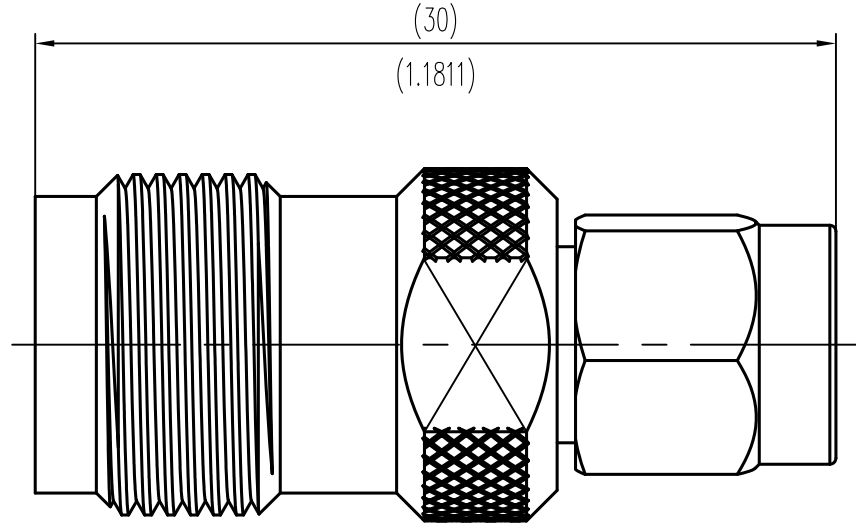


1		2		3		4		5		6	
TECHNICAL SPECIFICATION		METERIAL				FINISH					
FREQUENCY RANGE	DC~18GHz	Inner conductor	Beryllium copper	Gold							
IMPEDANCE	≥5000MΩ	Insulator	PEI	—							
OPERATING TEMP	-55℃~+70℃	Body	Stainless steel 303	Passivated							
VSWR	≤1.25	Nut	Stainless steel 303	Passivated							



UNLESS OTHERWISE SPECIFIED
 1) ALL DIMENSIONS ARE AFTER PLATING.
 2) BREAK CORNERS & EDGES.005 R. MAX.
 3) CHAM. 1ST & LAST THREADS.
 4) SURFACE ROUGHNESS 63 √ MIL-STD-10.
 5) DIA S ON COMMON CENTERS TO BE CONCENTRIC WITHIN .004 T.I.R.
 6) REMOVE ALL BURRS



LANJIAN ELECTRONICS, INC

PROPRIETARY
 THE INFORMATION CONTAINED IN THIS DRAWING IS THE SOLE PROPERTY OF LANJIAN, INC. WITHOUT THE WRITTEN PERMISSION OF LANJIAN ELECTRONICS, INC IS PROHIBITED.

DRAWN:
 CHECKED:
 STANDARDIZATION:
 APPROVED:

DWG.NO. TNC-SMA-FM
 TITLE: SIZE 4:1
 CAGE CODE: SHEET 1/1