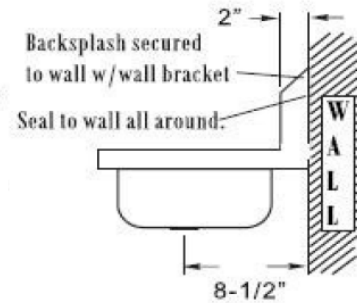
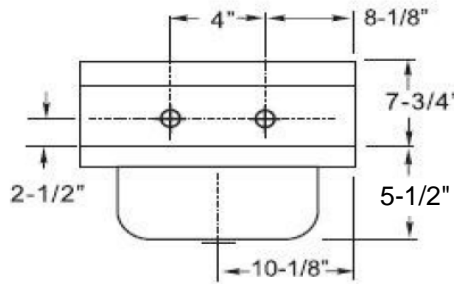
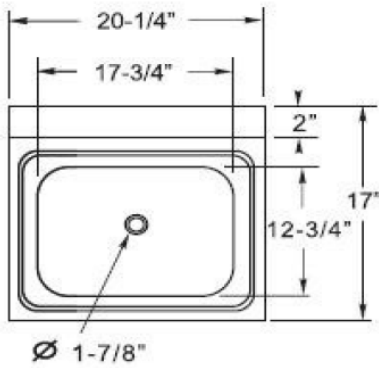


WICKETTS STAINLESS

SPECIFICATION

Stainless Steel Hand Sink

WHS 2017-ADA-SS



Product #	Description
WHS 2017-ADA-SS	20 x 17 Wall Mount Hand Sink ADA With Side Splashes

WICKETTS STAINLESS, LLC
 2618 San Miguel Dr. Bldg.# 376
 Newport Beach, CA 92660
 Tel.(951)-858-2548
 Fax.(951)-638-9059
 sales@wickettsstainless.com
 www.wickettsstainless.com



WARNING:
 This product can expose you to chemicals,
 which are known to the State of California to
 cause cancer. For more information, visit
www.P65Warnings.ca.gov.

Approved for Manufacturing
 Company: _____
 Signature: _____
 Print: _____ Date: ___/___/___