

Radio Interface Cable

For NCS-C250 Mobile Multi-Switcher

NCS Model Number

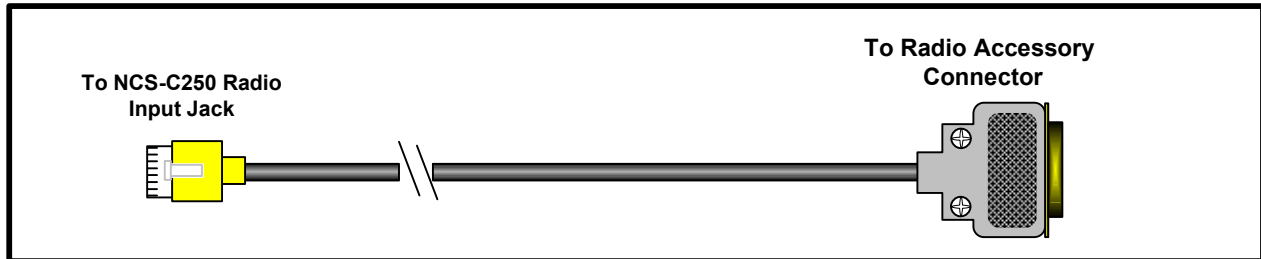
NCS-250-VCA-XX

Vertex Compatible Radios:

VX-4000

VX-5500

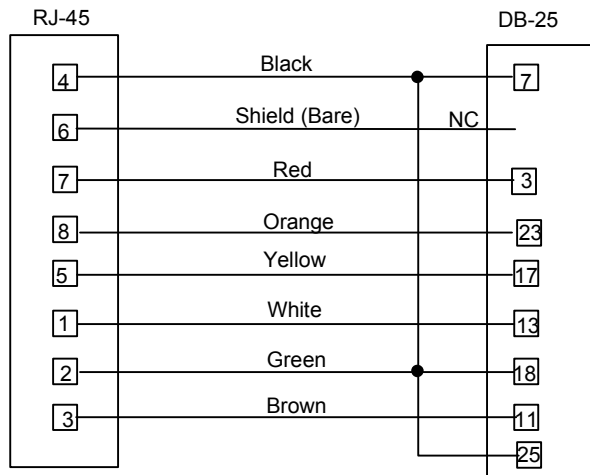
VX-6000



RJ-45

Pin #	Wire Color	Function
1	White	Mic Hi
2	Green	Mic Lo
3	Brown	PTT
4	Black	Ground
5	Yellow	Rx Audio
6	Shield	Ground
7	Red	Hook Sw*
8	Orange	COR*

*** Works only on units with Hook Switch or COR Options installed**



Cable Wiring

Notes:

The following internal radio jumpers must be set to configure the mic audio and RX audio on the DB-25 accessory connector

VX-4000

JP2007	Low Speed Data In	Closed
JP2006	Hi Speed Data In	Open
JP2005	Low Speed Data Out	Closed
JP2004	Hi Speed Data Out	Open

VX-5500

JP2006	Low Speed Data In	Closed
JP2005	Hi Speed Data In	Open
JP2004	Low Speed Data Out	Closed
JP2003	Hi Speed Data Out	Open

VX-6000

JP2006	Low Speed Data In	Closed
JP2005	Hi Speed Data In	Open
JP2004	Low Speed Data Out	Closed
JP2003	Hi Speed Data Out	Open

These are "solder" type jumpers and are located on the main pc board.