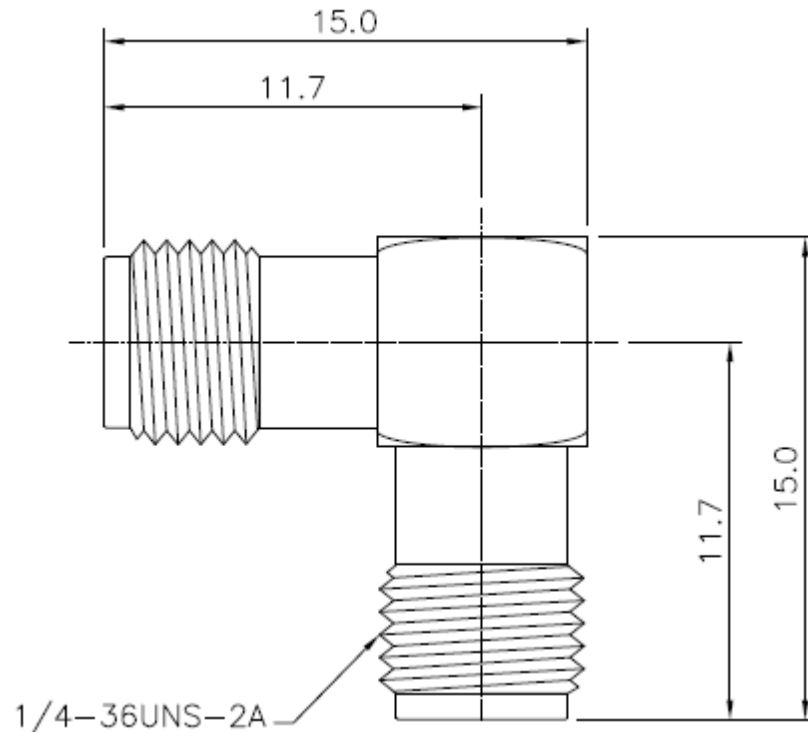


SPECIFICATIONS:

Impedance: 50 Ohm
 Frequency: DC-18 GHz
 VSWR: 1.30:1 max
 Insertion Loss: 0.5 dB max
 Operating temp. : -65°C - +165°C
 Life cycle: 500 matings

RoHS Compliant

Part	Material	Plating
Body	Brass	Gold
Center Contact	Beryllium Copper	Gold
Insulator	PTFE	---



Dimensions are in mm,
 for reference only, and are
 subject to change
 without notice.



Premier RF
 17 Roslyn CT
 Patchogue, NY 11772
 PH: 631-447-3804
 sales@premier rf.com
 www.premier rf.com

	PART NUMBER	PRF-AD1F1FR-BG
02/12/2012	DESCRIPTION	SMA FEMALE TO FEMALE RIGHT ANGLE ADAPTER
APPROVED		
C. Smith		