



# CONSTRUCTION MATERIALS

---

## TECHNOLOGIES

### LABORATORY TEST REPORT

**Report for:** Dixieland Metals  
c/o Fenestration A and E Services  
378 Eastland Rd  
Dothan, AL 36303

**Attention:** JohnneMarie Wilson

<b>Product Name:</b> 29 ga. Tuff Rib	<b>Manufacturer:</b> Dixieland Metals
<b>Project No.:</b> FAE-021-02-01	<b>Source:</b> Dixieland Metals
<b>Date Received:</b> Jan. 13, 2016	<b>Date Tested:</b> March 10, 2016

**Purpose:** Determine the impact resistance of Select Slate in accordance with **UL 2218 (2010) Standard for Impact Resistance of Prepared Roof Covering Materials.**

**Test Methods:** Testing was completed as described in UL 2218 (2010) *Standard for Impact Resistance of Prepared Roof Covering Materials.*

**Samples:** Samples were provided by Dixieland Metals on January, 13, 2016.

**Specimen:**

Metal Panels:  
Roof Covering: 29 ga. Galvalume® Tuff Rib  
36" installed coverage per panel; 3/4" major ribs 9" o.c. across the panel width; Two minor ribs between each major rib;

Deck : 15/32" thick APA span rated plywood over 24" o.c. joists with ASTM D 226 No. 30 underlayment

**Conditioning:** None.

FAE-021-0201      PRI-CMT Accreditations: IAS TL-189; State of Florida TST5878; Miami-Dade 14-1215.01; CRRC  
The test results, opinions, or interpretations are based on the material supplied by the client. This report is for the exclusive use of stated client. No reproduction or facsimile in any form can be made without the client's permission. This report shall not be reproduced except in full without the written approval of this laboratory. PRI Construction Materials Technologies LLC assumes no responsibility nor makes a performance or warranty statement for this material or products and processes containing this material in connection with this report.

**Results:**

Testing was complete at a 0":12" roof slope.

Table 1. Class 4 Impact Results

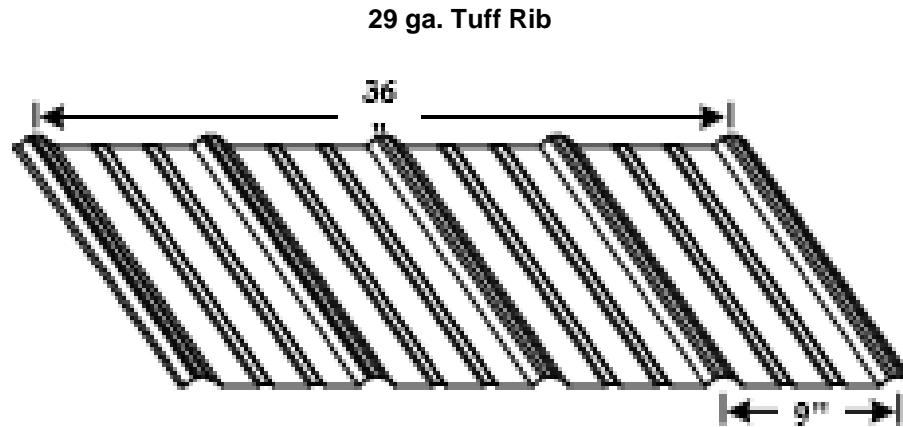
Drop Area	Results	Impact Depth (in.)	Requirement
UL 2218 – Class 4 Impact Resistance; 2" dia. steel ball; 20ft drop height			
Center pan	Pass	0.04	The prepared roof covering material exposed surface, back surface and underneath layers shall show no evidence of tearing, fracturing, cracking, splitting, rupture, crazing or other evidence of opening through any prepared roof covering layer.  For wood, tile, concrete, fiber-cement, plastic and metal roof covering materials, a surface crack shall not be determined to be a failure. A crack that extends through the cross-section of the roof covering material layer shall be determined to be a failure.  Cosmetic damage in and of itself shall not be determined to be a failure. Cosmetic damage such as denting, damage not extending through the cross-sectional area of a roof covering material layer, cracking of any paint finish, etc. shall not be determined to be a failure.
Major rib	Pass	0.5	
Pan adjacent to rib	Pass	0.04	
Major rib	Pass	0.5	
Major rib	Pass	0.5	
Center pan over joist	Pass	0.04	

**Classification:**

The 29 ga. Galvalume® Tuff Rib meets the acceptance criteria of Underwriters Laboratories' UL 2218 Standard for Impact Resistance of Prepared Roof Covering Materials for Class 4 impact resistance.

FAE-021-0201      PRI-CMT Accreditations: IAS TL-189; State of Florida TST5878; Miami-Dade 14-1215.01; CRRC  
 The test results, opinions, or interpretations are based on the material supplied by the client. This report is for the exclusive use of stated client. No reproduction or facsimile in any form can be made without the client's permission. This report shall not be reproduced except in full without the written approval of this laboratory. PRI Construction Materials Technologies LLC assumes no responsibility nor makes a performance or warranty statement for this material or products and processes containing this material in connection with this report.





FAE-021-0201

PRI-CMT Accreditations: IAS TL-189; State of Florida TST5878; Miami-Dade 14-1215.01; CRRC

The test results, opinions, or interpretations are based on the material supplied by the client. This report is for the exclusive use of stated client. No reproduction or facsimile in any form can be made without the client's permission. This report shall not be reproduced except in full without the written approval of this laboratory. PRI Construction Materials Technologies LLC assumes no responsibility nor makes a performance or warranty statement for this material or products and processes containing this material in connection with this report.

### Constructed Specimen after impacting



**End of Report**

FAE-021-0201

PRI-CMT Accreditations: IAS TL-189; State of Florida TST5878; Miami-Dade 14-1215.01; CRRC

The test results, opinions, or interpretations are based on the material supplied by the client. This report is for the exclusive use of stated client. No reproduction or facsimile in any form can be made without the client's permission. This report shall not be reproduced except in full without the written approval of this laboratory. PRI Construction Materials Technologies LLC assumes no responsibility nor makes a performance or warranty statement for this material or products and processes containing this material in connection with this report.