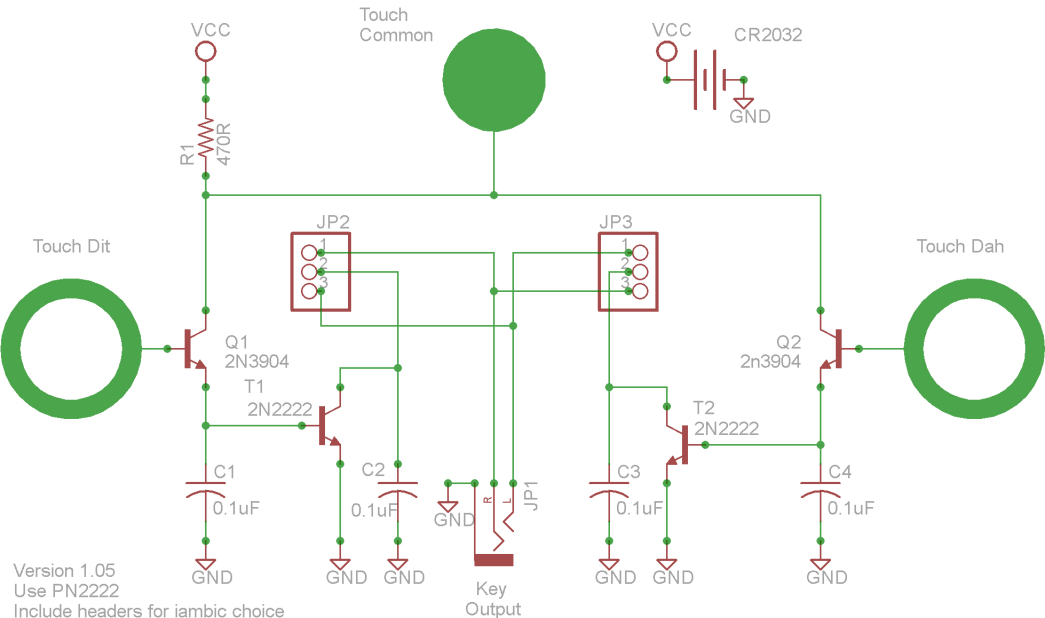


JP2 & JP3 Allow the paddle outputs to be switched to allow 'Normal' or 'Reverse' Iambic capability. Jumper shunts are placed on appropriate header pins to achieve the desired selection.



Version 1.05  
Use PN2222  
Include headers for iambic choice  
Drawn Dec. 5th 2018