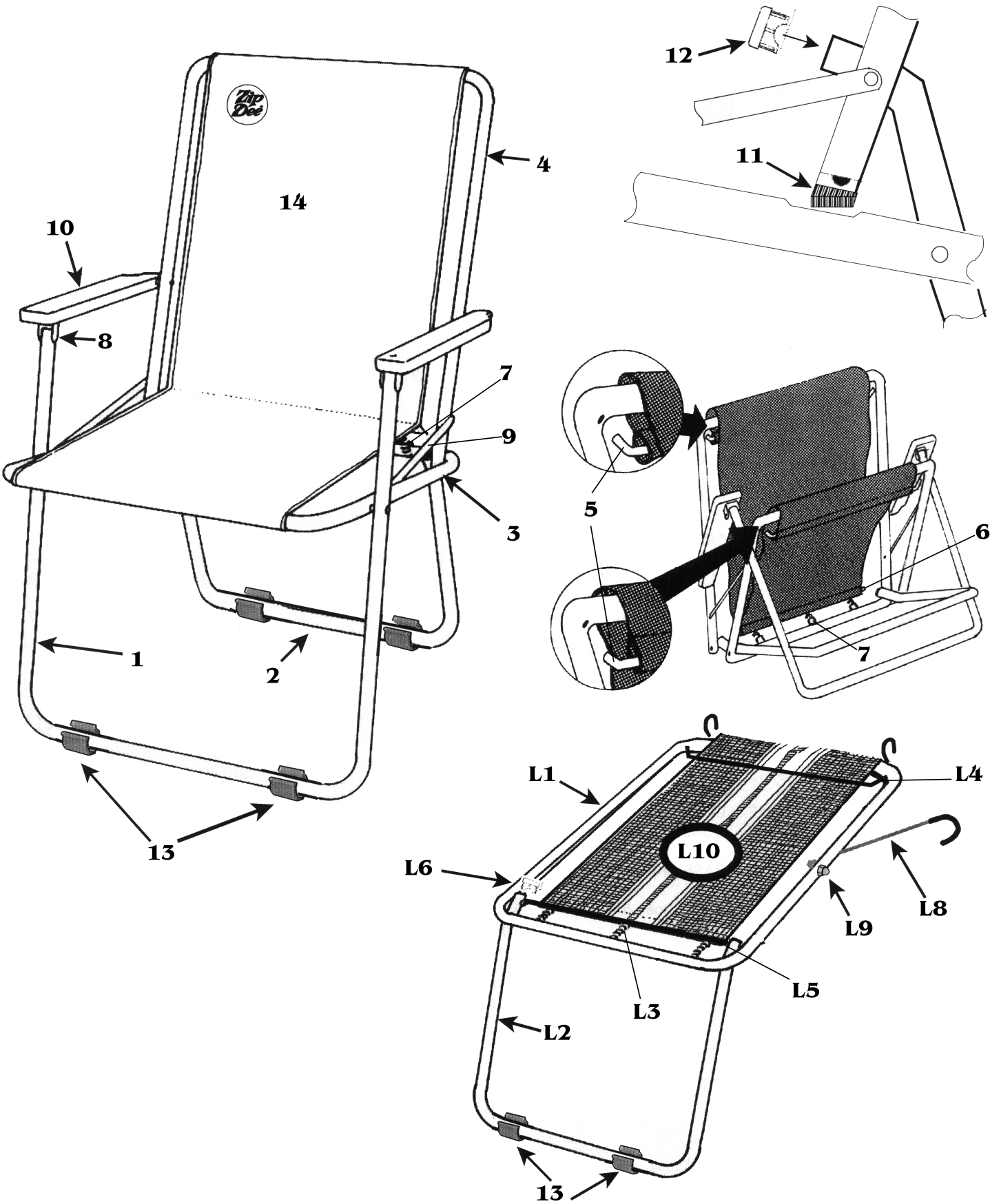


# Chair... Add-A-Lounge



Ref #	PART #	CHAIR - STANDARD AND WIDE
1	335050	LEG, CHAIR, FRONT (standard)
	335180	LEG, CHAIR, FRONT (wide)
2	335060	LEG, CHAIR, REAR (standard)
	335190	LEG, CHAIR, REAR (wide)
3	335070	RING, CHAIR (standard)
	335200	RING, CHAIR (wide)
4	335080	BACK REST, CHAIR (standard)
	335210	BACK REST, CHAIR (wide)
5	322020	RETAINING ROD, 16-1/4", BENT (standard)
	322140	RETAINING ROD, 18-1/4", BENT (wide)
6	322030	TENSION ROD, 14-1/4", STRAIGHT (standard)
	322150	TENSION ROD, 16-1/4", STRAIGHT (wide)
7	322060	SPRING, CHAIR
8	325170	BRACKET, ARM
9	325010	BRACE
10	323010	ARMREST, ASH/OAK (without bracket)
11	321320	PLUG, NYLON WITH FIN
12	321020	PLUG, NYLON, FLAT TOP
13	321271	Z-PAD, SINGLE
	1ZP000	Z-PADS, 8 PACK
14	1CF100	CHAIR FABRIC, 14-1/4" (standard)
14	1CF200	CHAIR FABRIC, 16-1/4" (wide)

#### ADD-A-LOUNGE - STANDARD AND WIDE

L1	335111	RING, LOUNGE (standard)
L1	335271	RING, LOUNGE (wide)
L2	335121	LEG, LOUNGE (standard)
L2	335281	LEG, LOUNGE (wide)
L3	322060	SPRING, CHAIR
L4	322040	RETAINING ROD, 16-7/8", STRAIGHT (standard)
L4	322160	RETAINING ROD, 18-7/8", STRAIGHT (wide)
L5	322030	TENSION ROD, 14-1/4", STRAIGHT (standard)
L5	322150	TENSION ROD, 16-1/4", STRAIGHT (wide)
L6	321020	PLUG, NYLON, FLAT TOP
L8	322251	COATED STABILIZING ROD
L9	311100	NUT, ACORN
L10	1AF100	LOUNGE FABRIC, 14-1/4" (standard)
L10	1AF200	LOUNGE FABRIC, 16-1/4" (wide)

