



Torque/Pres

Pump Pressure  
(PSI)

100
200
1400
1600
1800
2000

**Torqu**<sup>TM</sup>

TORQUE CATALOG

## NEVER A ME-TOO COMPANY

At TorcUP, our constant pursuit of **Being Different** maintains the strong link between the company of today and our founding year of 1996. With a steely determination to push the limits, TorcUP has created an industrial torque tool line which excels when others strive to just exist.

TorcUP made its name as a pioneer of unique and creative features and benefits that went **Against the Grain**...but isn't that what being different is all about?

Every TorcUP product design starts with a **Clean Sheet**. We have a laser-like focus on the best engineering practices and a dynamic ideology that tests every possibility.

**Safety is At The Heart** of our product design. Users always want lighter and faster, but this can never be at the expense of safety and durability. We test to destruction - so you never have to.

TorcUP is always looking **Forward With A Focus** on the Bigger Picture.

**Every Customer is Our Bigger Picture!**





**RAPTOR**  
3000 SINGLE SPEED

# INSIDE

**TU  
TX  
TSK  
RP  
EP/AP**

**ULTRA SERIES SQUARE DRIVE HYDRAULIC WRENCHES**

**SERIES LOW PROFILE HYDRAULIC WRENCHES**

**INDUSTRIAL IMPACT SOCKETS**

**RAPTOR SERIES HI-SPEED PNEUMATIC WRENCHES**

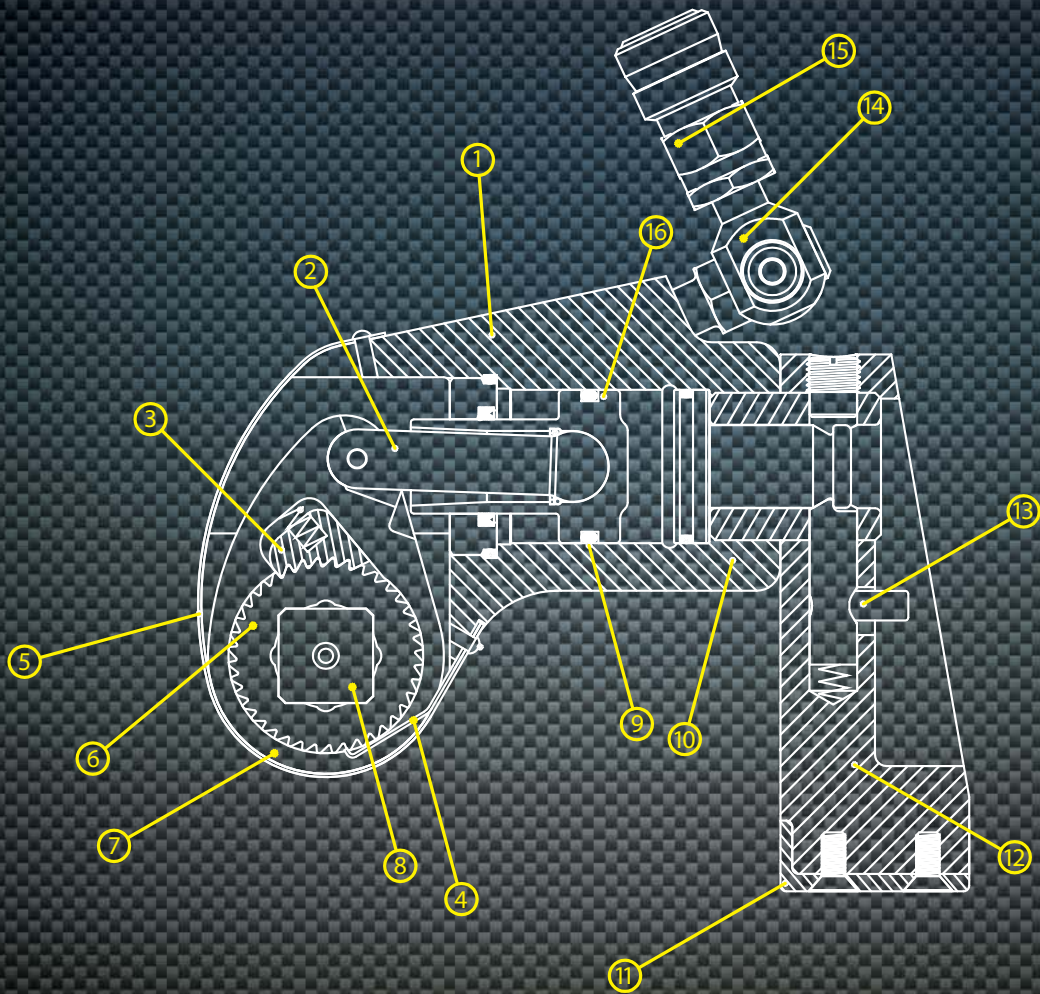
**SERIES HYDRAULIC PUMPS**

[WWW.TORCUP.COM](http://WWW.TORCUP.COM)



# Square Drive Hydraulic Torque Wrench





**01. Patented Mono-Body Housing**

A TorcUP exclusive!

**02. Balanced Drive Rod**

Wide load-free piston movement

**03. Multi-Tooth Drive Segment**

Ensures up to 27 degree torque stroke

**04. Anti-Back Lash Mechanism**

Provides hands free operation

**05. Laser Engraved Torque Chart**

No more searching for charts

**06. Multi-Tooth Ratchet**

Strong Vascomax teeth provide strength, accuracy and 27 degree torque stroke

**07. One Piece Drive Plate**

One piece Vascomax drive plate provides longer life and increased durability

**08. Push-Through Drive**

Simply push to switch from loosen to tighten

**09. Single Seal Piston**

Assures extended maintenance free operation

**10. Direct Housing Reaction**

Allows use of tool without reaction arm

**11. Steel Reaction Boot**

Field replaceable feature protects reaction arm

**12. Long Length Reaction Arm**

Allows for reaction on all applications

**13. Reaction Arm Release Button**

Protected within reaction arm housing

**14. 360° x 360° Swivel**

Allows hose to be cleared on all applications

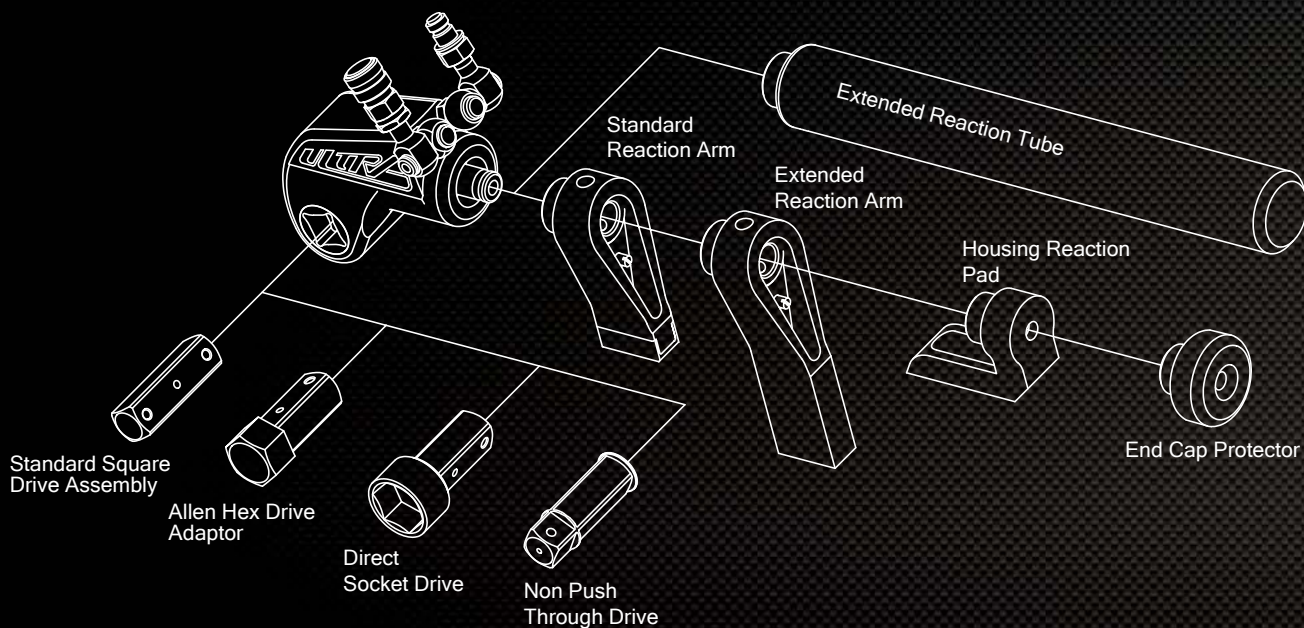
**15. No Drip Quick Connect Couplers**

Assures easy and safe operation

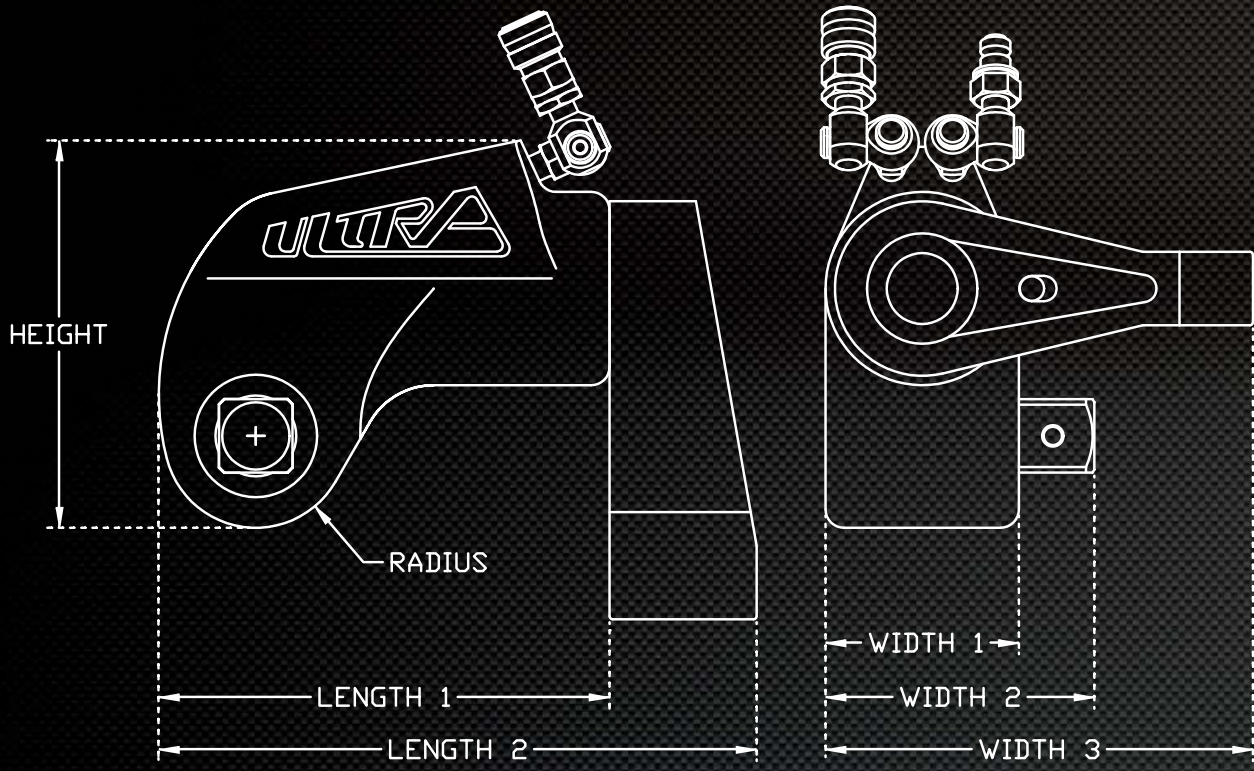
**16. Steel Alloy Piston**

Robust composition allows for longer operation cycle

# TU ULTRA Series Accessories



TECHNICAL DATA	TU-2	TU-3	TU-5	TU-7	TU-11	TU-20	TU-27	TU-60
SQUARE DRIVE	3/4"	1"	1 1/2"	1 1/2"	1 1/2"	2 1/2"	2 1/2"	2 1/2"
MIN TORQUE (ft/lbs)	127	330	550	740	1100	1940	2720	5800
MAX TORQUE (ft/lbs)	1270	3330	5500	7400	11010	20625	27200	58000
MIN TORQUE (nm)	172	447	745	1003	1491	2630	3687	7862
MAX TORQUE (nm)	1722	4514	7457	10031	14925	27964	36872	78625
OUTPUT ACCURACY	+/-3%	+/-3%	+/-3%	+/-3%	+/-3%	+/-3%	+/-3%	+/-3%
REPEATABILITY	100%	100%	100%	100%	100%	100%	100%	100%
DUTY CYCLE	100%	100%	100%	100%	100%	100%	100%	100%



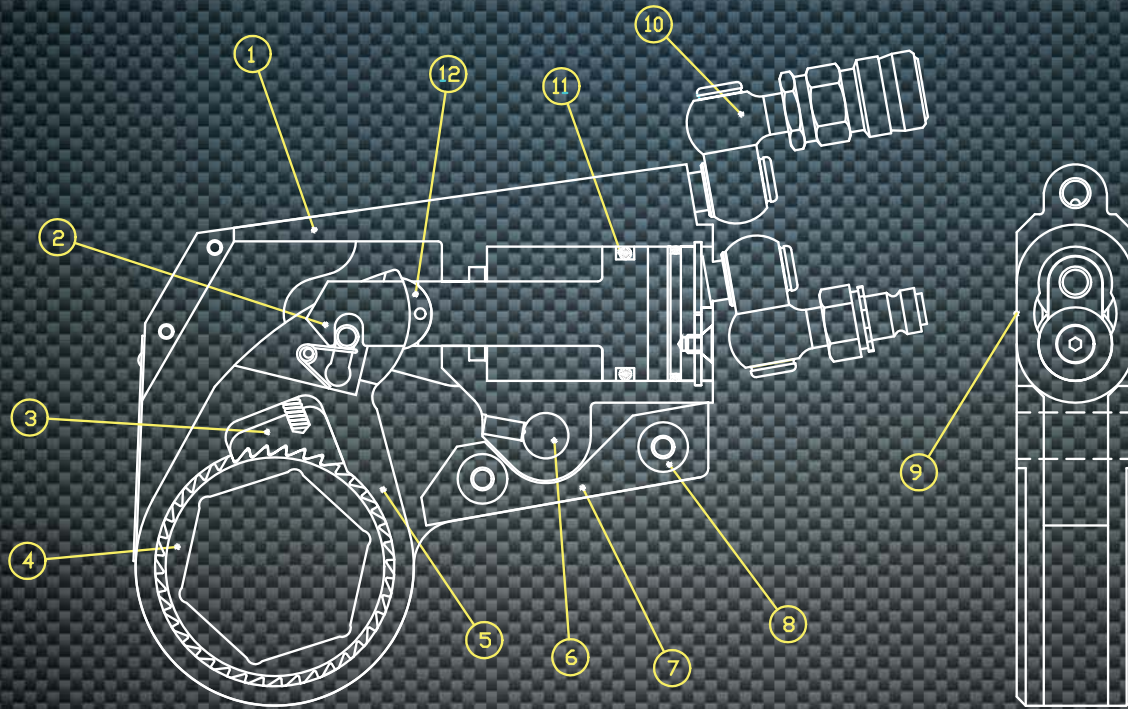
DIMENSIONAL DATA	TU-2	TU-3	TU-5	TU-7	TU-11	TU-20	TU-27	TU-60
TOOL WEIGHT (lb)	3.9	9	17	19	29	61	70	130
TOOL WEIGHT (kg)	1.7	4.1	7.7	8.6	13.1	27.6	31.7	59.8
HEIGHT (in)	4.20	5.33	6.40	7.17	7.80	9.22	10.19	11.50
HEIGHT (mm)	106.7	135.3	162.6	182.1	198.1	234.3	258.8	292.1
LENGTH 1 (in)	4.82	6.4	7.91	8.84	9.79	9.44	12.32	15.38
LENGTH 1 (mm)	122.4	162.5	200.9	224.5	248.6	239.7	312.9	390.7
LENGTH 2 (in)	6.34	8.43	10.66	11.58	12.79	16.09	16.33	20.40
LENGTH 2 (mm)	161.0	214.1	270.7	294.1	324.8	408.9	414.8	518.2
RADIUS (in)	0.98	1.31	1.57	1.77	2.03	2.31	2.46	3.10
RADIUS (mm)	24.9	33.2	39.8	44.9	51.5	58.7	62.5	78.7
WIDTH 1 (in)	2.00	2.63	3.12	3.61	3.95	4.87	5.26	6.58
WIDTH 1 (mm)	50.8	66.8	79.2	91.7	100.3	123.6	133.6	167.1
WIDTH 2 (in)	2.79	3.68	4.64	5.06	5.43	7.15	7.57	8.89
WIDTH 2 (mm)	70.9	93.5	117.8	128.5	137.9	181.7	192.3	225.8
WIDTH 3 (in)	4.42	5.81	7.00	7.98	8.72	10.88	11.63	14.29
WIDTH 3 (mm)	112.3	147.6	177.8	202.7	221.5	276.4	295.4	363.0

**TX**

# Low Profile Hydraulic Torque Wrench







**01. Patented "Peanut-Shaped" Cylinder**  
Fit both the cylinder and link in confined areas

**02. Engagement Rod**  
Automatically engages link on the first stroke

**03. Never-Lock Drive Pawl**  
Ensures tool will NEVER lock on

**04. Multi-Tooth Ratchet**  
Allows for 27 degree torque stroke accuracy

**05. One Piece Drive Plate**  
Robust alloy provides for small nose radius

**06. Link Pin**  
One pin for link to cylinder engagement, no tools required

**07. In-Line Reaction Pad**  
Assures torsion free reaction every time

**08. Steel Alignment Pin**  
Assures equal load displacement between side plates

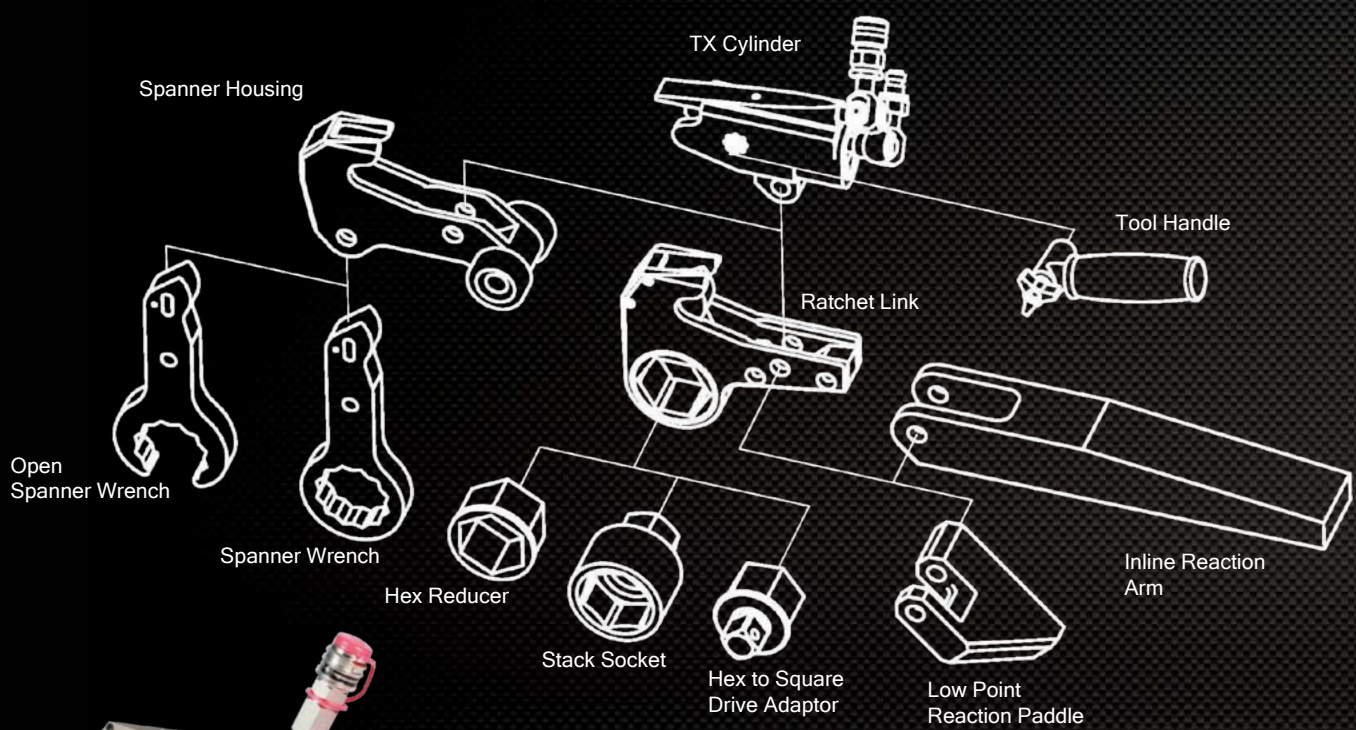
**09. Completely Flat Design**  
Cylinder and link width are equal for tight fits

**10. 360° x 360° Swivel**  
Allows hose to be cleared on all applications

**11. Proprietary Piston Seal**  
Patented technology provides years of maintenance free use

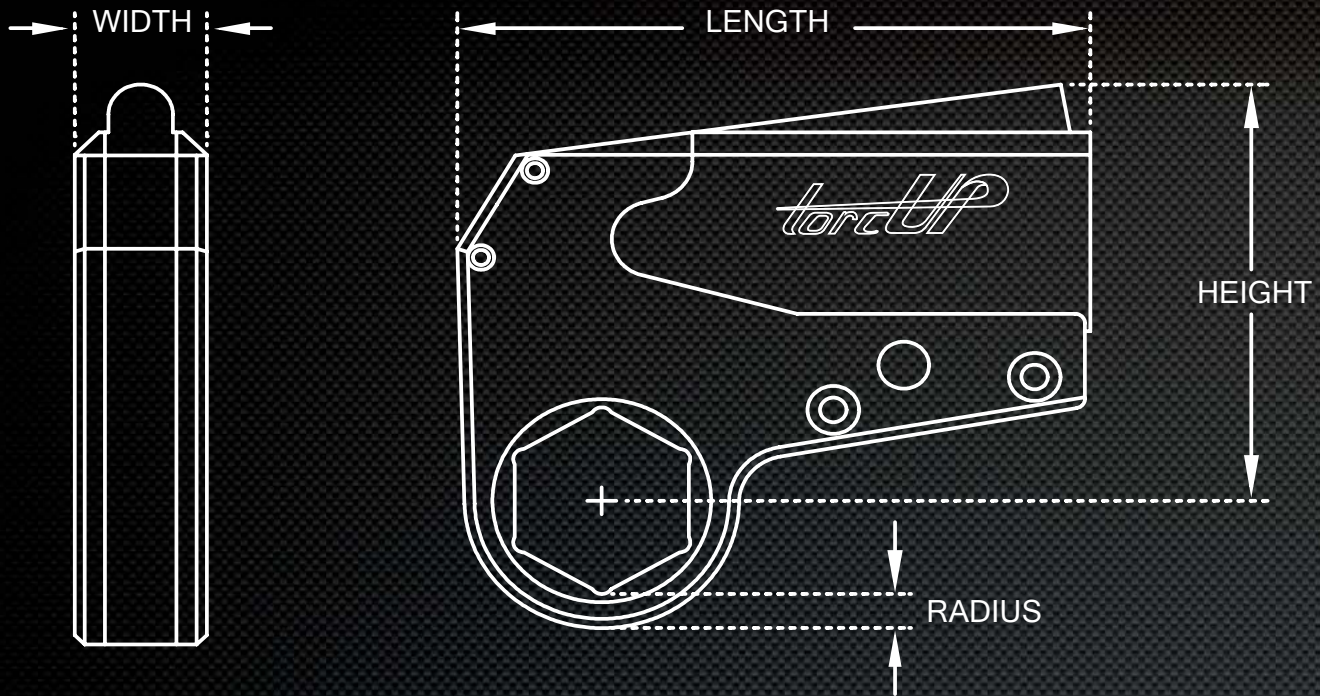
**12. Slider**  
Prevents wear of piston and drive plate and reduces cost of repairs

# TX Series Accessories



Case available for TX-2, 4, and 8 models

TECHNICAL DATA	TX-1	TX-2	TX-4	TX-8	TX-16	TX-32	TX-45
MIN TORQUE (ft/lbs)	45	192	395	830	1560	3220	4850
MAX TORQUE (ft/lbs)	560	1928	3950	8630	16600	35650	47380
MIN TORQUE (nm)	61	260	535	1125	2115	4365	6575
MAX TORQUE (nm)	759	2614	5355	11699	22503	48327	64239
OUTPUT ACCURACY	+/-3%	+/-3%	+/-3%	+/-3%	+/-3%	+/-3%	+/-3%
REPEATABILITY	100%	100%	100%	100%	100%	100%	100%
DUTY CYCLE	100%	100%	100%	100%	100%	100%	100%
CYLINDER WEIGHT (lb)	1.00	3.50	6.00	11.70	16.00	26.00	29.00
CYLINDER WEIGHT (kg)	0.45	1.58	2.70	5.00	7.30	11.50	13.00
LINK WEIGHT FROM (lb)	1.00	2.40	5.40	11.90	21.00	29.00	29.00
LINK WEIGHT TO (lb)	1.00	3.50	7.60	14.50	28.00	39.50	39.50
LINK WEIGHT FROM (kg)	0.45	1.00	2.40	5.50	9.50	13.00	13.00
LINK WEIGHT TO (kg)	0.45	1.50	3.40	6.50	13.00	17.90	17.90



DIMENSIONAL DATA	TX-1	TX-2	TX-4	TX-8	TX-16	TX-32	TX-45
LENGTH (in)	4.37	6.45	7.87	10.18	12.93	15.80	16.75
LENGTH (mm)	111.0	163.8	199.9	258.6	328.4	401.3	425.5
WIDTH (in)	0.78	1.25	1.63	2.05	2.50	3.24	4.88
WIDTH(mm)	19.8	31.8	41.4	52.1	63.5	82.3	124.0
RADIUS (in)	0.23	0.36	0.46	0.54	0.65	.93	.93
RADIUS (mm)	5.8	9.1	11.7	13.7	16.5	23.6	23.6
HEIGHT (in)	3.25	4.00	5.60	7.00	7.58	9.50	10.28
HEIGHT (mm)	82.6	101.6	142.2	177.8	192.5	241.3	261.1

# TX Series Low Profile Hex Link Part Numbers

TX-1 LINK PART #	HEX SIZE	
	IMPERIAL	METRIC
TX-1RL008	1/2"	
TX-1RL13M		13mm
TX-1RL009	9/16"	
TX-1RL14M		14mm
TX-1RL010	5/8"	
TX-1RL15M		15mm
TX-1RL17M		17mm
TX-1RL011	11/16"	
TX-1RL012M19	3/4"	19mm
TX-1RL013	13/16"	
TX-1RL21M		21mm
TX-1RL014M22	7/8"	22mm
TX-1RL015	15/16"	
TX-1RL24M		24mm
TX-1RL100	1"	
TX-1RL101M27	1-1/16"	27mm
TX-1RL102	1-1/8"	
TX-1RL103M30	1-3/16"	30mm
TX-1RL104	1-1/4"	
TX-1RL32M		32mm
TX-1RL105	1-5/16"	
TX-1RL106M35	1-3/8"	35mm
TX-1RL36M		36mm
TX-1RL107	1-7/16"	
TX-1RL108M38	1-1/2"	38mm
TX-1RL109	1-9/16"	
TX-1RL110M41	1-5/8"	41mm
TX-1RL111	1-11/16"	
TX-1RL112	1-3/4"	46mm
TX-1RL113M46	1-13/16"	
TX-1RL114	1-7/8"	
TX-1RL115M49	1-15/16"	49mm
TX-1RL50M		50mm
TX-1RL200	2"	

TX-2 LINK PART #	HEX SIZE	
	IMPERIAL	METRIC
TX-2RL012M19	3/4"	19mm
TX-2RL013	13/16"	
TX-2RL014M22	7/8"	22mm
TX-2RL015	15/16"	
TX-2RL24M		24mm
TX-2RL100	1"	
TX-2RL101M27	1-1/16"	27mm
TX-2RL102	1-1/8"	
TX-2RL103M30	1-3/16"	30mm
TX-2RL32M		32mm
TX-2RL104	1-1/4"	
TX-2RL105	1-5/16"	
TX-2RL106M35	1-3/8"	35mm
TX-2RL36M		36mm
TX-2RL107	1-7/16"	
TX-2RL108M38	1-1/2"	38mm
TX-2RL109	1-9/16"	
TX-2RL110M41	1-5/8"	41mm
TX-2RL111	1-11/16"	
TX-2RL112	1-3/4"	
TX-2RL113M46	1-13/16"	46mm
TX-2RL114	1-7/8"	
TX-2RL115M49	1-15/16"	49mm
TX-2RL50M		50mm
TX-2RL200	2"	
TX-2RL201	2-1/16"	
TX-2RL202	2-1/8"	
TX-2RL203M55	2-3/16"	55mm
TX-2RL204	2-1/4"	
TX-2RL205	2-5/16"	
TX-2RL206M60	2-3/8"	60mm
TX-2RL207	2-7/16"	
TX-2RL208	2-1/2"	
TX-2RL209M65	2-9/16"	65mm

TX-4 LINK PART #	HEX SIZE	
	IMPERIAL	METRIC
TX-4RL100	1"	
TX-4RL101M27	1-1/16"	27mm
TX-4RL102	1-1/8"	
TX-4RL103M30	1-3/16"	30mm
TX-4RL104	1-1/4"	
TX-4RL32M		32mm
TX-4RL105	1-5/16"	

TX-4 LINK PART #	HEX SIZE	
	IMPERIAL	METRIC
TX-4RL106	1-3/8"	
TX-4RL36M		36mm
TX-4RL107	1-7/16"	
TX-4RL108M38	1-1/2"	38mm
TX-4RL109	1-9/16"	
TX-4RL110	1-5/8"	41mm
TX-4RL111	1-11/16"	
TX-4RL112	1-3/4"	
TX-4RL113	1-13/16"	46mm
TX-4RL114	1-7/8"	
TX-4RL115M49	1-15/16"	49mm
TX-4RL50M		50mm
TX-4RL200	2"	
TX-4RL201	2-1/16"	
TX-4RL202	2-1/8"	
TX-4RL203M55	2-3/16"	55mm
TX-4RL204	2-1/4"	
TX-4RL205	2-5/16"	
TX-4RL206M60	2-3/8"	60mm
TX-4RL207	2-7/16"	
TX-4RL208	2-1/2"	
TX-4RL209M65	2-9/16"	65mm
TX-4RL210	2-5/8"	
TX-4RL211	2-11/16"	
TX-4RL212M70	2-3/4"	70mm
TX-4RL213	2-13/16"	
TX-4RL214	2-7/8"	
TX-4RL215M75	2-15/16"	75mm
TX-4RL300	3"	
TX-4RL301	3-1/16"	
TX-4RL302M80	3-1/8"	80mm

TX-8 LINK PART #	HEX SIZE	
	IMPERIAL	METRIC
TX-8RL114	1-7/8"	
TX-8RL115M49	1-15/16"	49mm
TX-8RL50M		50mm
TX-8RL200	2"	
TX-8RL201	2-1/16"	
TX-8RL202	2-1/8"	
TX-8RL203M55	2-3/16"	55mm
TX-8RL204	2-1/4"	
TX-8RL205	2-5/16"	
TX-8RL206M60	2-3/8"	60mm
TX-8RL207	2-7/16"	
TX-8RL208	2-1/2"	
TX-8RL209M65	2-9/16"	65mm
TX-8RL210	2-5/8"	
TX-8RL211	2-11/16"	
TX-8RL212M70	2-3/4"	70mm
TX-8RL213	2-13/16"	
TX-8RL214	2-7/8"	
TX-8RL215M75	2-15/16"	75mm
TX-8RL300	3"	
TX-8RL301	3-1/16"	
TX-8RL302M80	3-1/8"	80mm
TX-8RL303	3-3/16"	
TX-8RL304	3-1/4"	
TX-8RL305	3-5/16"	
TX-8RL85M		85mm
TX-8RL306	3-3/8"	
TX-8RL307	3-7/16"	
TX-8RL308	3-1/2"	
TX-8RL90M		90mm
TX-8RL309	3-9/16"	
TX-8RL310	3-5/8"	
TX-8RL311	3-11/16"	
TX-8RL312M95	3-3/4"	95mm
TX-8RL313	3-13/16"	
TX-8RL314	3-7/8"	
TX-8RL315M100	3-15/16"	100mm
TX-8RL400	4"	
TX-8RL401	4-1/16"	
TX-8RL402M105	4-1/8"	105mm
TX-8RL403	4-3/16"	
TX-8RL404	4-1/4"	
TX-8RL405	4-5/16"	
TX-8RL406	4-3/8"	
TX-8RL407	4-7/16"	

TX-8 LINK PART #	HEX SIZE	
	IMPERIAL	METRIC
TX-8RL408	4-1/2"	
TX-8RL115M		115mm
TX-8RL409	4-9/16"	
TX-8RL410	4-5/8"	
TX-8RL120M		120mm

TX-8 LINK PART #	HEX SIZE	
	IMPERIAL	METRIC
TX-8RL408	4-1/2"	
TX-8RL115M		115mm
TX-8RL409	4-9/16"	
TX-8RL410	4-5/8"	
TX-8RL120M		120mm

TX-16 LINK PART #	HEX SIZE	
	IMPERIAL	METRIC
TX-16RL203M55	2-3/16"	55mm
TX-16RL204	2-1/4"	
TX-16RL205	2-5/16"	
TX-16RL206M60	2-3/8"	60mm
TX-16RL207	2-7/16"	
TX-16RL208	2-1/2"	
TX-16RL209M65	2-9/16"	65mm
TX-16RL210	2-5/8"	
TX-16RL211	2-11/16"	
TX-16RL212M70	2-3/4"	70mm
TX-16RL213	2-13/16"	
TX-16RL214	2-7/8"	
TX-16RL215M75	2-15/16"	75mm
TX-16RL300	3"	
TX-16RL301	3-1/16"	
TX-16RL302M80	3-1/8"	80mm
TX-16RL303	3-3/16"	
TX-16RL304	3-1/4"	
TX-16RL305	3-5/16"	
TX-16RL85M		85mm
TX-16RL306	3-3/8"	
TX-16RL307	3-7/16"	
TX-16RL308	3-1/2"	
TX-16RL90M		90mm
TX-16RL309	3-9/16"	
TX-16RL310	3-5/8"	
TX-16RL311	3-11/16"	
TX-16RL312M95	3-3/4"	95mm
TX-16RL313	3-13/16"	
TX-16RL314	3-7/8"	
TX-16RL315M100	3-15/16"	100mm
TX-16RL400	4"	
TX-16RL401	4-1/16"	
TX-16RL402M105	4-1/8"	105mm
TX-16RL403	4-3/16"	
TX-16RL404	4-1/4"	
TX-16RL405	4-5/16"	
TX-16RL110M		110mm
TX-16RL406	4-3/8"	
TX-16RL407	4-7/16"	
TX-16RL408	4-1/2"	
TX-16RL115M		115mm
TX-16RL409	4-9/16"	
TX-16RL410	4-5/8"	
TX-16RL120M		120mm
TX-16RL411	4-11/16"	
TX-16RL412	4-3/4"	
TX-16RL413	4-13/16"	
TX-16RL414	4-7/8"	
TX-16RL125M		125mm
TX-16RL415	4-15/16"	
TX-16RL500	5"	
TX-16RL501	5-1/16"	
TX-16RL502M130	5-1/8"	130mm
TX-16RL503	5-3/16"	
TX-16RL504	5-1/4"	
TX-16RL505M135	5-5/16"	135mm

TX-32 LINK PART #	HEX SIZE	
	IMPERIAL	METRIC
TX-32RL302M80	3-1/8"	80mm
TX-32RL303	3-3/16"	
TX-32RL304	3-1/4"	
TX-32RL305	3-5/16"	
TX-32RL85M		85mm
TX-32RL306	3-3/8"	
TX-32RL307	3-7/16"	
TX-32RL308	3-1/2"	
TX-32RL90M		90mm
TX-32RL309	3-9/16"	
TX-32RL310	3-5/8"	
TX-32RL311	3-11/16"	

TX-32 LINK PART #	HEX SIZE	
	IMPERIAL	METRIC
TX-32RL312M95	3-3/4"	95mm
TX-32RL313	3-13/16"	
TX-32RL314	3-7/8"	
TX-32RL315M100	3-15/16"	100mm
TX-32RL400	4"	
TX-32RL401	4-1/16"	
TX-32RL402M105	4-1/8"	105mm
TX-32RL403	4-3/16"	
TX-32RL404	4-1/4"	
TX-32RL405	4-5/16"	
TX-32RL110M		110mm
TX-32RL406	4-3/8"	
TX-32RL407	4-7/16"	
TX-32RL408	4-1/2"	
TX-32RL115M		115mm
TX-32RL409	4-9/16"	
TX-32RL410	4-5/8"	
TX-32RL120M		120mm
TX-32RL411	4-11/16"	
TX-32RL412	4-3/4"	
TX-32RL413	4-13/16"	
TX-32RL414	4-7/8"	
TX-32RL125M		125mm
TX-32RL415	4-15/16"	
TX-32RL500	5"	
TX-32RL501	5-1/16"	
TX-32RL502M130	5-1/8"	130mm
TX-32RL503	5-3/16"	
TX-32RL504	5-1/4"	
TX-32RL505M135	5-5/16"	135mm
TX-32RL506	5-3/8"	
TX-32RL507	5-7/16"	
TX-32RL508M140	5-1/2"	140mm
TX-32RL509	5-9/16"	
TX-32RL510	5-5/8"	
TX-32RL511	5-11/16"	
TX-32RL145M		145mm
TX-32RL512	5-3/4"	
TX-32RL513	5-13/16"	
TX-32RL514	5-7/8"	
TX-32RL150M		150mm
TX-32RL515	5-15/16"	
TX-32RL600	6"	
TX-32RL601	6-1/16"	
TX-32RL155M		155mm
TX-32RL602	6-1/8"	
TX-32RL603	6-3/16"	
TX-32RL604	6-1/4"	
TX-32RL160M		160mm
TX-32RL605	6-5/16"	
TX-32RL606	6-3/8"	
TX-32RL607	6-7/16"	
TX-32RL608M165	6-1/2"	165mm
TX-32RL609	6-9/16"	
TX-32RL610	6-5/8"	
TX-32RL611M170	6-11/16"	170mm
TX-32RL612	6-3/4"	
TX-32RL613	6-13/16"	
TX-32RL614	6-7/8"	
TX-32RL175M		175mm
TX-32RL615	6-15/16"	
TX-32RL700	7"	
TX-32RL701	7-1/16"	
TX-32RL180M		180mm
TX-32RL702	7-1/8"	
TX-32RL703	7-3/16"	
TX-32RL704	7-1/4"	
TX-32RL185M		185mm
TX-32RL705	7-5/16"	
TX-32RL706	7-3/8"	
TX-32RL707	7-7/16"	
TX-32RL190M		190mm
TX-32RL708	7-1/2"	
TX-32RL709	7-9/16"	
TX-32RL710	7-5/8"	
TX-32RL711M195	7-11/16"	195mm
TX-32RL712	7-3/4"	
TX-32RL713	7-13/16"	
TX-32RL714M200	7-7/8"	200mm
TX-32RL715	7-15/16"	
TX-32RL800	8"	
TX-32RL200M		205mm

# TorcUP Industrial Sockets



## 01. Unbelievable Strength

All TorcUP Industrial Impact Sockets are made from high strength alloy steel, heat treated for the best combination of strength and impact resistance

## 02. Our Sockets Do What Others Claim

With optimum wall thickness, TorcUP sockets have the strength to withstand the necessary torque and the access to reach the most restricted of nuts

## 03. Accommodating Design

The depths of the hex openings are designed to accommodate the nut for full engagement

## 04. Free Corner Design

TorcUP's entire line of Industrial Impact Sockets feature free corner design for flats above 5/8" (17mm)

## 05. Safe Attachment Design

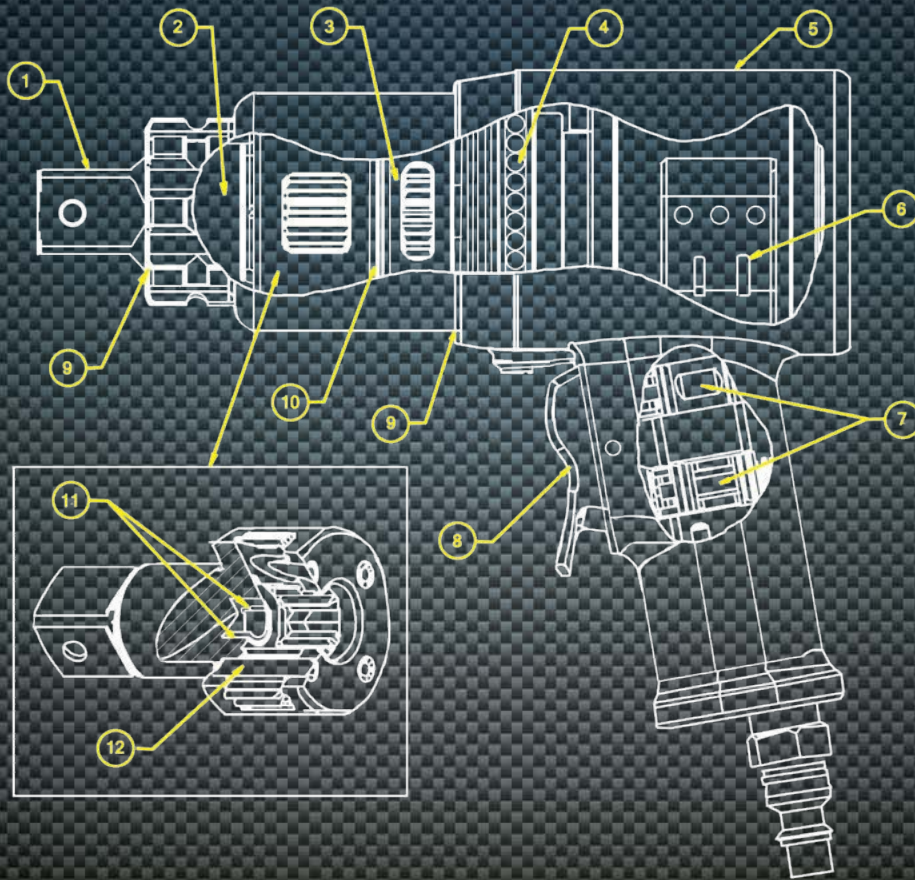
O-ring and drive pin included with every socket for safe square drive attachment





# RAPTOR Pneumatic Torque Wrench





**01. Hardened Alloy Steel**  
For durability and long cycle life

**02. Bearings Support**  
For loads experienced at the square drive

**03. Multiple Stage Planetary Gear System**  
With optimized tooth design

**04. Smooth Ball Bearing Rotation**  
Gearbox housing independent from the motor handle

**05. Lightweight Aluminum Handle**  
Provides durable, slip-resistant textured coating

**06. Ultra-Efficient Air Motor**  
Designed for easy maintenance

**07. Cartridge-Style Valves**  
Allow easy replacement

**08. One Finger Trigger Control**  
For one touch forward and reverse

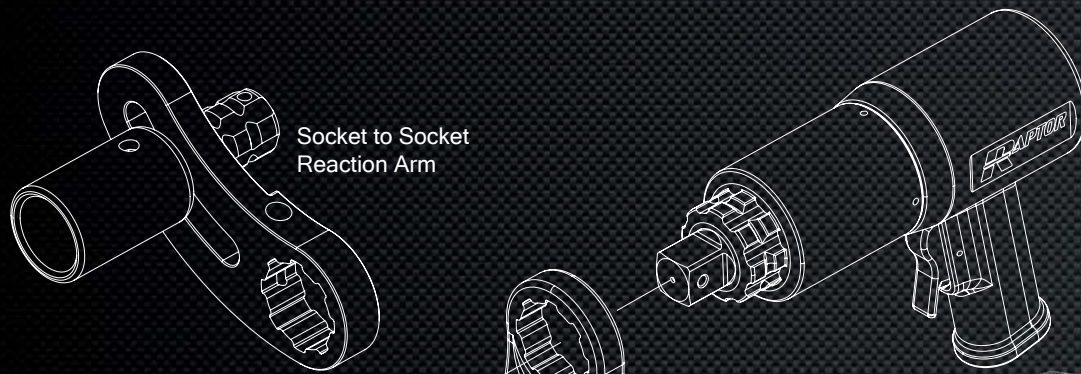
**09. O-Rings**  
Seals grease in while keeping water and dirt out

**10. External Black Oxide and Hard Coating**  
Enhance the RP Series for use in harsh environments

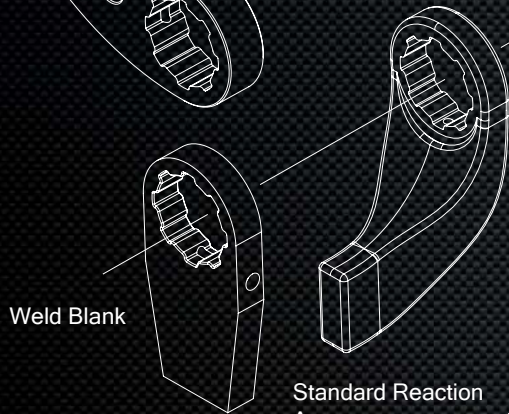
**11. Bearing Sleeves**  
Low friction, high strength that gears run on

**12. Chrome Steel Pins**  
In each gear stage

# RAPTOR RP Series Accessories

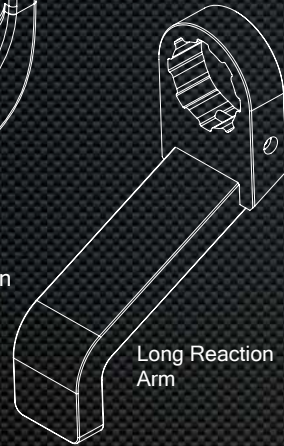


Socket to Socket  
Reaction Arm



Weld Blank

Standard Reaction  
Arm



Long Reaction  
Arm



Sliding  
Reaction Arm



Tool Carrying  
Handle



Straight Reaction  
Arm



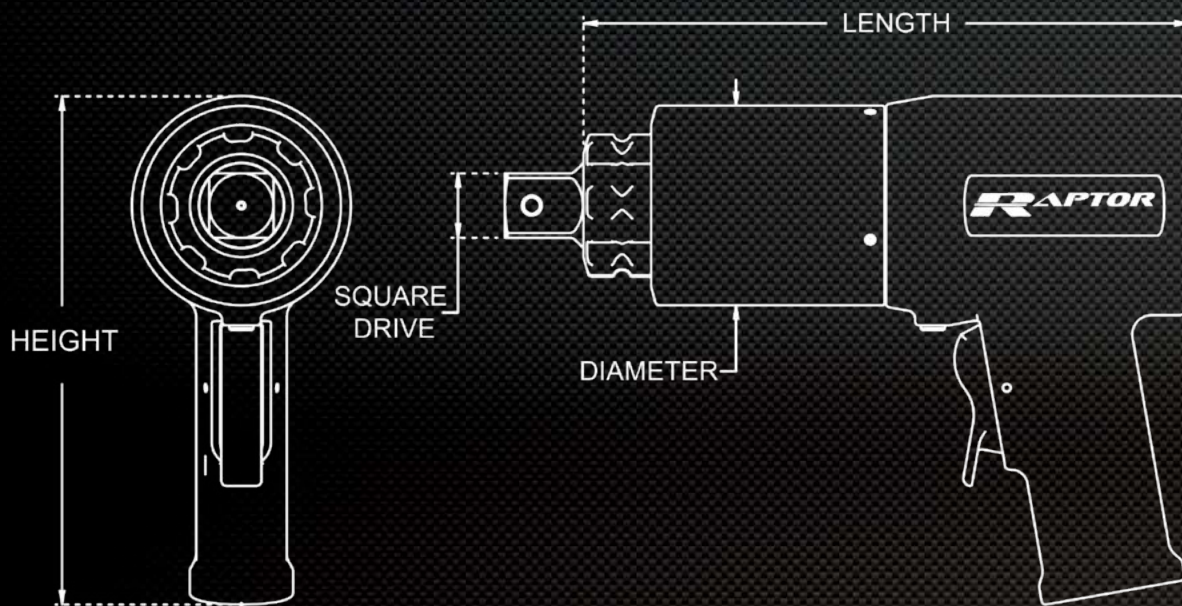
Pinion Reaction  
Arm



RP-6000 With  
Standard Reaction  
Arm



TECHNICAL DATA	RP-500	RP-1000	RP-2000	RP-3000	RP-6000
SQUARE DRIVE	3/4"	1"	1"	1"	1 1/2"
MIN TORQUE (ft/lbs)	78	148	231	484	714
MAX TORQUE (ft/lbs)	530	1030	2015	3070	5990
MIN TORQUE (nm)	106	201	313	656	968
MAX TORQUE (nm)	719	1396	2732	4162	8121
OUTPUT ACCURACY	+/-5%	+/-5%	+/-5%	+/-5%	+/-5%
REPEATABILITY	100%	100%	100%	100%	100%
DUTY CYCLE	100%	100%	100%	100%	100%
TOOL WEIGHT (lbs) w/o arm	9	12	16	20	36
TOOL WEIGHT (kg) w/o arm	4.1	5.4	7.3	9.1	16.3
RPM @ 10 psi	16.5	7.0	3.5	1.7	1.2
TOOL MAX psi	80 psi	70 psi	90 psi	65 psi	90 psi
RPM @ MAX psi	44	15	9	4	3



Requirements: Air Pressure 10-90 psi - Flow 45-55 CFM

DIMENSIONAL DATA	RP-500	RP-1000	RP-2000	RP-3000	RP-6000
HEIGHT (in)	7.89"	7.89"	7.89"	8.06"	8.69"
HEIGHT (mm)	200.4	200.4	200.4	204.7	220.7
SQUARE DRIVE (in)	0.75"	1"	1"	1"	1.5"
SQUARE DRIVE (mm)	19.05	25.4	25.4	25.4	38.1
LENGTH (in)	6.80"	8.87"	9.40"	10.62"	12.32"
LENGTH (mm)	172.7	225.3	238.8	269.7	312.9
DIAMETER (in)	2.56"	2.85"	3.09"	3.75"	5.00"
DIAMETER (mm)	65.0	72.4	78.5	95.3	127.0



01. **High Output 2 Stage Pumps**
02. **Advanced Circuit Technology**  
Fewer components and wiring reduce weight and increases dependability
03. **Powerful, Efficient, Compact**
04. **Lightweight Motor**  
Permanent magnet motor is available in 1.125 HP and 1.5 HP versions
05. **Operates at Full Pressure**  
On less than 20 amps for 115v or 240v
06. **Low Profile Design Simplifies Transport**  
Site gauge enables operator to monitor reservoir oil levels. Powder coated reservoirs stand up to the harshest environments. "Easy-Pour" fill and drain hole makes preventative maintenance quick and easy
07. **Enhanced Reservoirs**  
Available in sizes from 1 to 5 gallons
08. **Quadra-Torc Function**  
Available in single and multi-port designs for operating up to 4 of the same tools simultaneously
09. **Lightweight, Ergonomic Pendant**  
Industrial ergonomic rocker switches easy to activate, reducing hand fatigue. Water resistant switches operate on 12 VDC
10. **Roll Cage and Heat Exchangers Available**
11. **Auto-Dump**  
Relieves all pressure from hoses
12. **Replaceable Motor Brushes and Armature**  
Increases serviceability
13. **15' Pendant Standard**  
On all torque power-pump models



Electric Hydraulic Pump



- 01. Heavy Duty Air Motor**  
Powerful 4 HP industrial duty air motor runs on 50cfm/90 PSI
- 02. High Output 2 Stage Pumps**
- 03. Quadra-Torc Function (optional)**  
Available in single and multi-port designs for operating up to 4 tools simultaneously
- 04. Quiet Operation**  
Approximately 80dB @ 10,000 PSI
- 05. Rugged Remote**  
15' remote pendant to control motor and valve
- 06. Auto-Dump**  
Relieves all pressure from hoses
- 07. Filter-Lubricator**  
Supplied with high flow F/R/L for long trouble free operation
- 08. 1.5 Gallon Reservoir**
- 09. Precise PSI/BAR 4" Pressure Gauge**
- 10. Quick Connect Couplers**  
Each pump and hose is fitted with quick connect, no-drip, threadless safety couplers, with 2:1 safety ratio
- 11. Supplied With Dual Non-Conductive**  
High pressure hose with couplers
- 12. Standard Carrying Handle Provided**  
Optional roll cage available to protect motor
- 13. Low Center of Gravity**  
For more stability
- 14. For Use in Flammable Environments**
- 15. Serviceable Motor Vanes and Springs**



Air Hydraulic Pump

# EP/AP Series Accessories

Foot Switch With Cord  
for EP and AP Pump



AP1000 Shipping Case



Twin Line Hydraulic  
Hose



Roll Cage



Multit Port  
Adaptor Kit

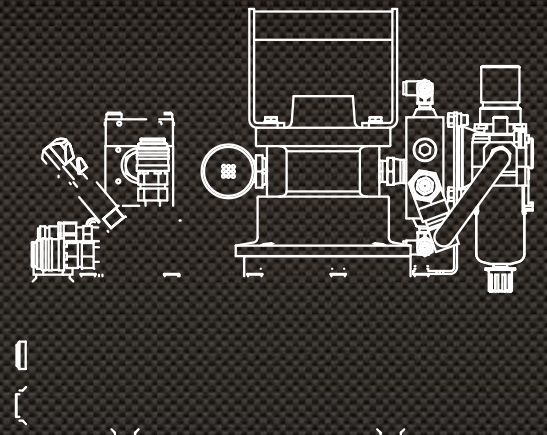
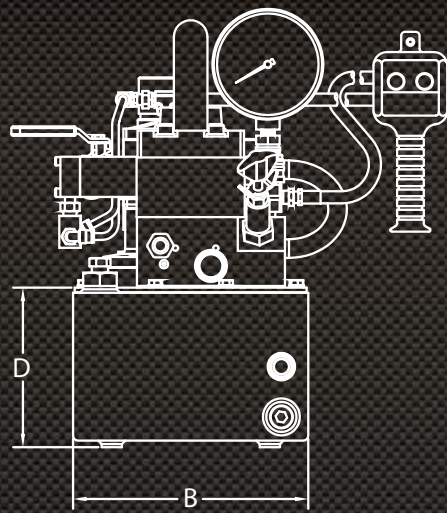
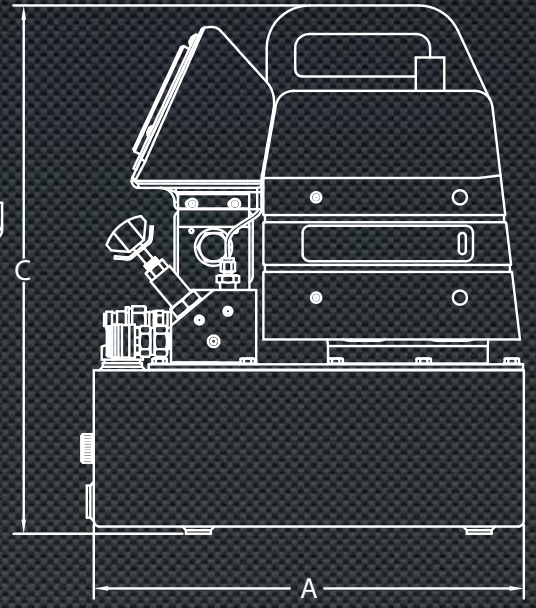
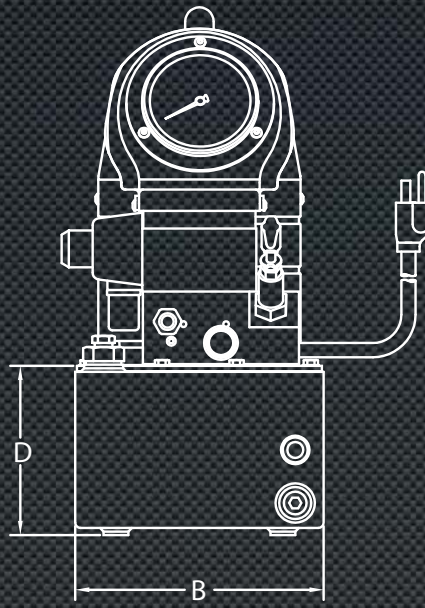


Gauge



Heat  
Exchanger









## The TorcUP Comprehensive Factory Warranty

We provide ongoing support with operational training and care of all tools, free repair of warranty tools, and no-cost temporary replacements. At TorcUP, we strive to become your total product solution.

The customer will be completely satisfied with the performance, operation, support and overall value of their TorcUP System.

The customer's staff will be thoroughly trained to the customer's satisfaction on the proper operation and care of their TorcUP System.

If the TorcUP System should fail to operate properly under normal usage within 13 months of purchase, the system will be repaired at no charge.

If the TorcUP System cannot be repaired under warranty at the customer's site, TorcUP will furnish the customer with loaner components as needed at no charge during the warranty period.

The warranty does not cover improper use or operation of tooling.

If during the warranty period, the tooling must be returned to the TorcUP Repair Facility for warranty maintenance, the customer will be provided with a loaner unit at no charge for the duration of the repair.

The Warranty covers factory defects for the following lengths of time dependent upon the tooling purchased.\*

TU ULTRA SERIES WRENCHES - 13 months from date of purchase

TX SERIES WRENCHES - 13 months from date of purchase

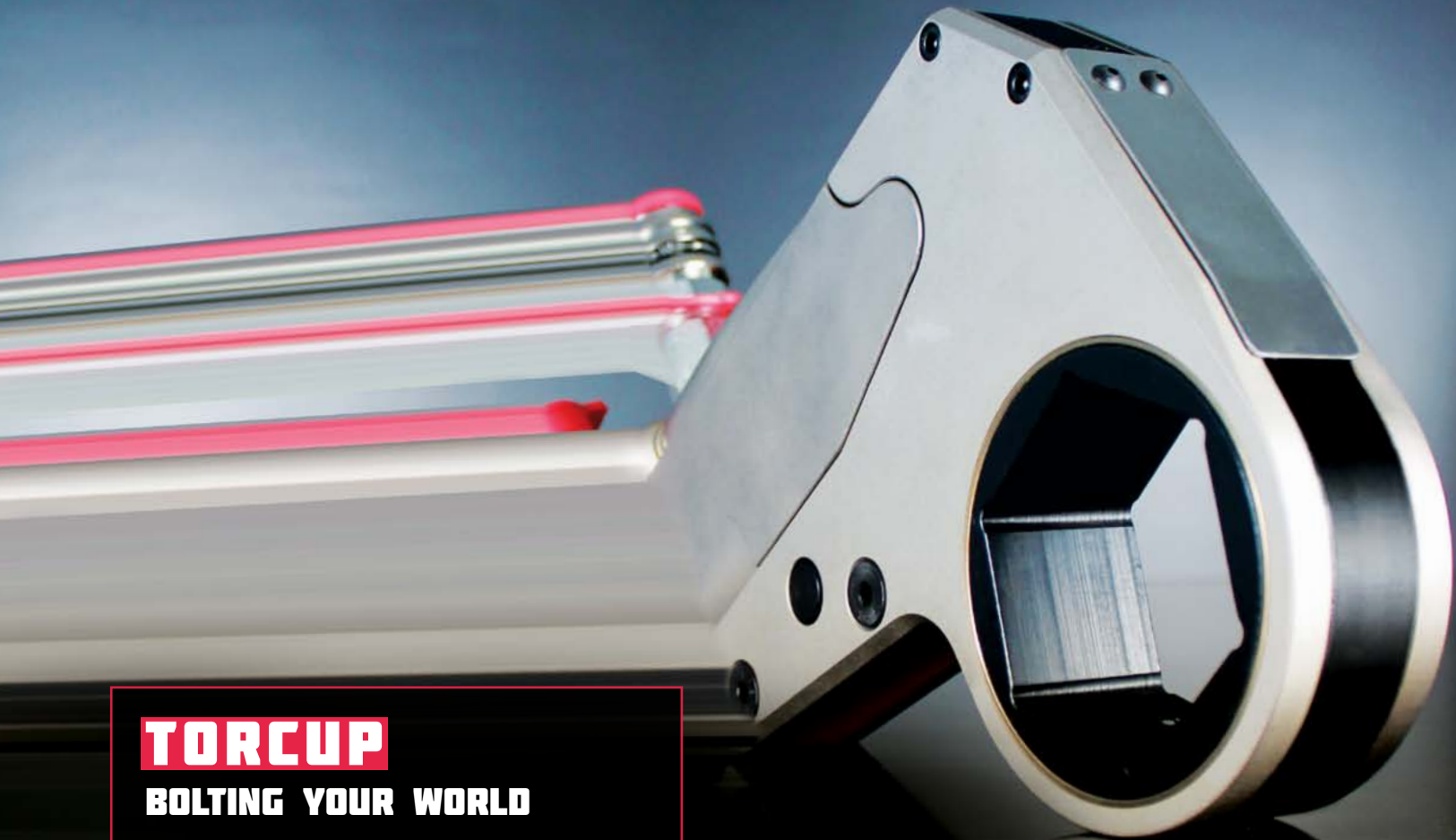
RP SERIES WRENCHES - 13 months from date of purchase

EP AND AP SERIES PUMPS - 13 months from date of purchase

ACCESSORIES - 13 months from date of purchase

SOCKETS - Lifetime\*

\*Some Exclusions Apply




# TORCUP

**BOLTING YOUR WORLD**

## WORLDWIDE HEADQUARTERS

1025 Conroy Place  
Easton, PA 18040  
U.S.A.

 +1-610-250-5800

 +1-610-250-2700

 888-TORCUP-1

 sales@torcup.com

## OTHER LOCATIONS IN:

AFRICA

INDIA

AUSTRALIA

MEXICO

CANADA

MIDDLE EAST

CHINA

SOUTH AMERICA

EUROPE

SOUTHEAST ASIA

Please contact us for more information.



MADE IN THE USA

**WWW.TORCUP.COM**

catalog 2015 03

