

## Design Guide – Auditorium



### Auditorium

The Corporate auditorium provides a flagship venue for large companies to hold employee gatherings or conduct shareholder meetings. With an advanced AV system designed with high quality image presentation capabilities, executives can deliver sophisticated, media-rich presentations to convey corporate information, product introductions, and data for employee meetings.

The sources for this system include a resident PC, Blu-Ray player, as well as HDMI, VGA & Audio from the main Podium as well as a front desk. The audience can participate by connecting to the AirMedia wireless gateway.

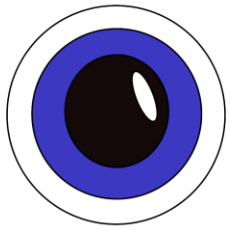
Options could include a camera for lecture capture as well as a high quality media player for streaming media. The system would be controlled from the Podium although parallel control can be provided from another Touch Panel, tablet or PC.

### Features

- High quality video and audio
- Versatile use
- Best possible user experience
- Maximise available space
- 4k 60fps
- HDCP 2.1 compliant

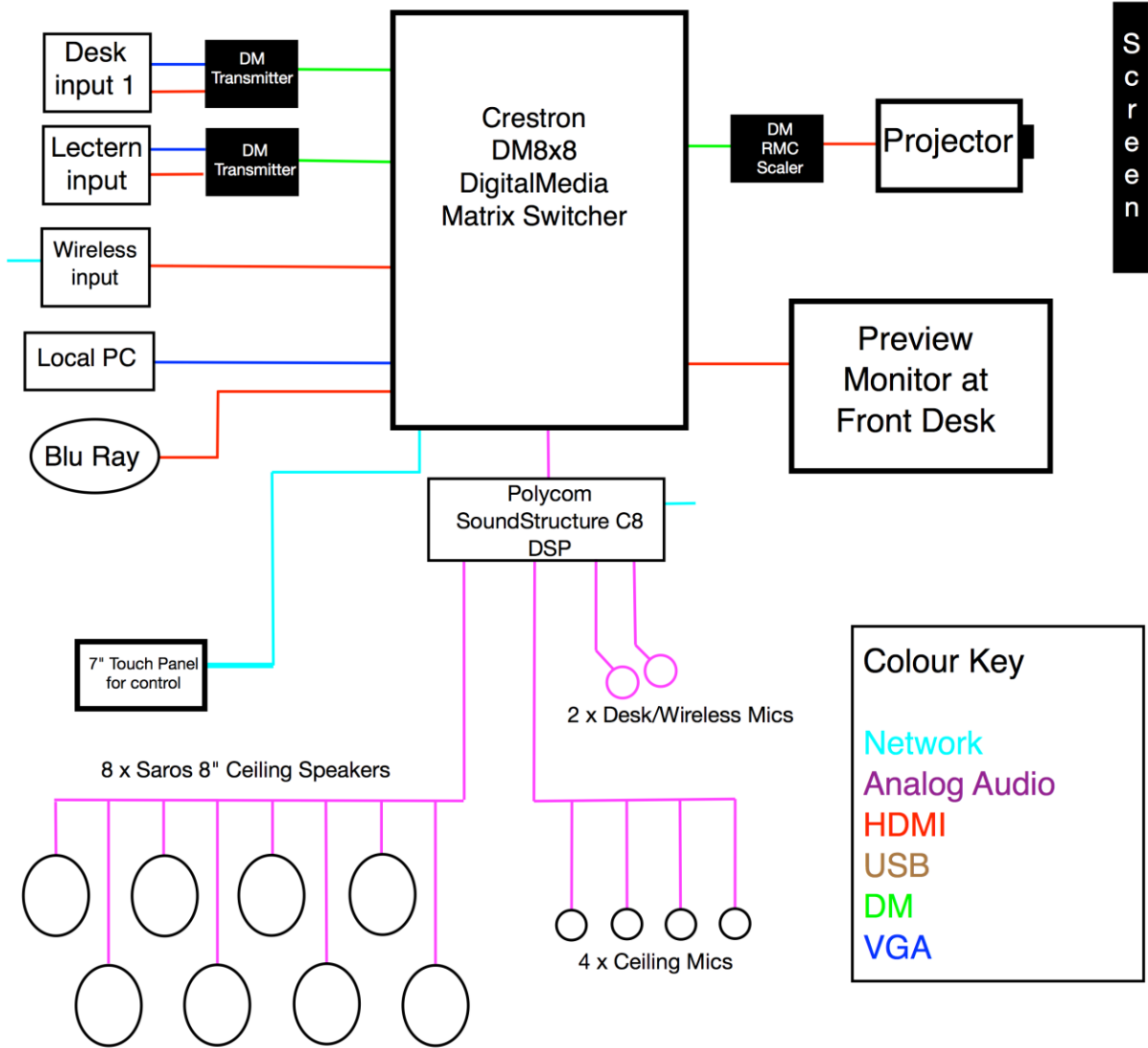


The Crestron DM-TX-401c offers HDMI, VGA & Audio as well as Displayport and connects to the switching matrix by way of a single CAT cable.



# i-Klarity Video Solutions

## Typical Schematic



## Key Products

- Crestron HD-MD 8x8 Matrix Switcher
- Crestron AM-101 AirMedia Wireless Gateway
- Polycom SoundStructure DSP
- Canon 4000 Lumens HD Projector
- Euroscreen 16:10 electric tab-tensioned screen
- Polycom Ceiling Mics
- Crestron Saros 8" 2-way ceiling speakers
- Crestron Series 3 processor with 7" Touch Panel

For more information please visit [www.i-klarity.co.uk](http://www.i-klarity.co.uk)  
or contact [enquiries@i-klarity.co.uk](mailto:enquiries@i-klarity.co.uk)