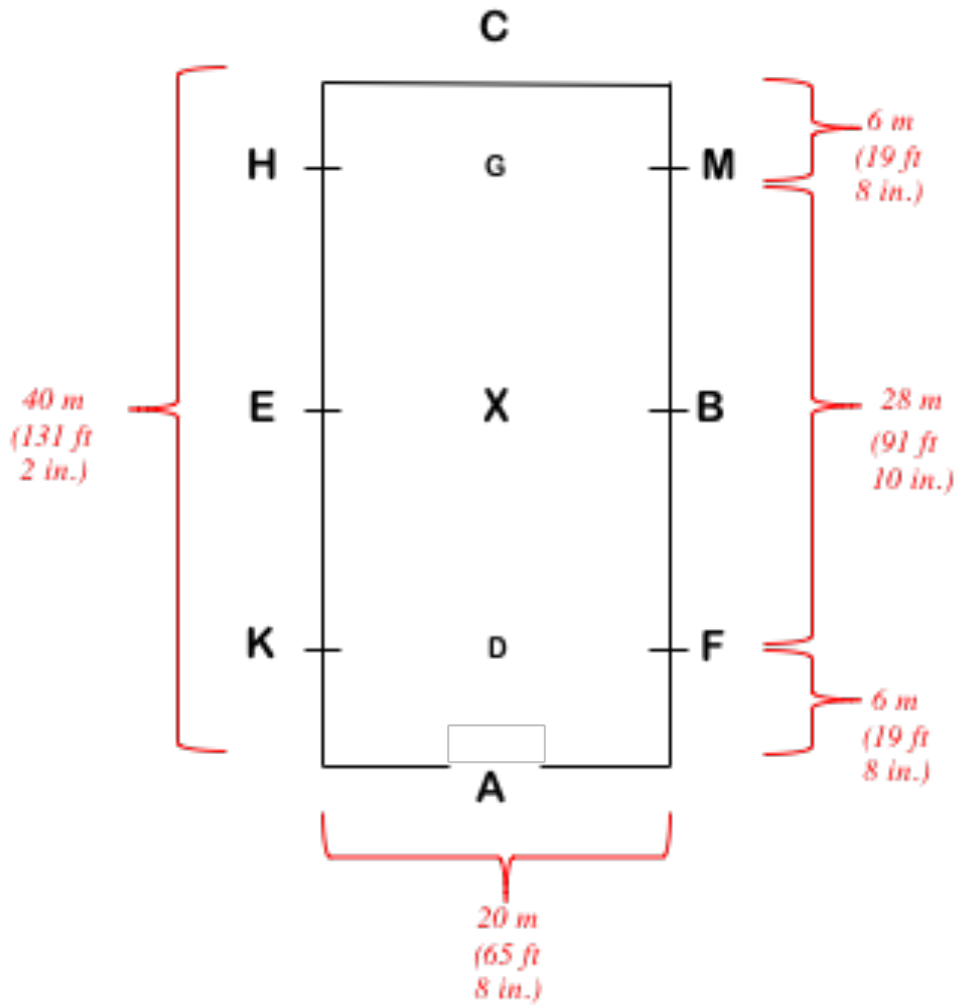


**APPENDIX A**

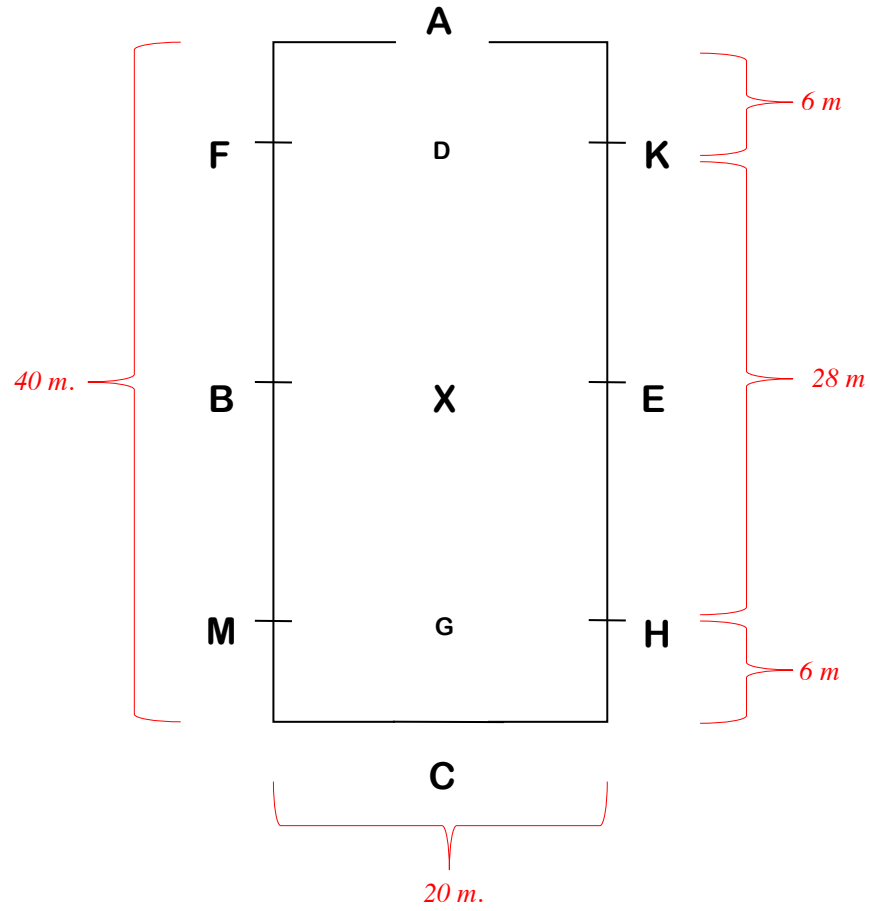
**DRESSAGE TESTS**

United States Rules for Working Equitation

DRESSAGE ARENA

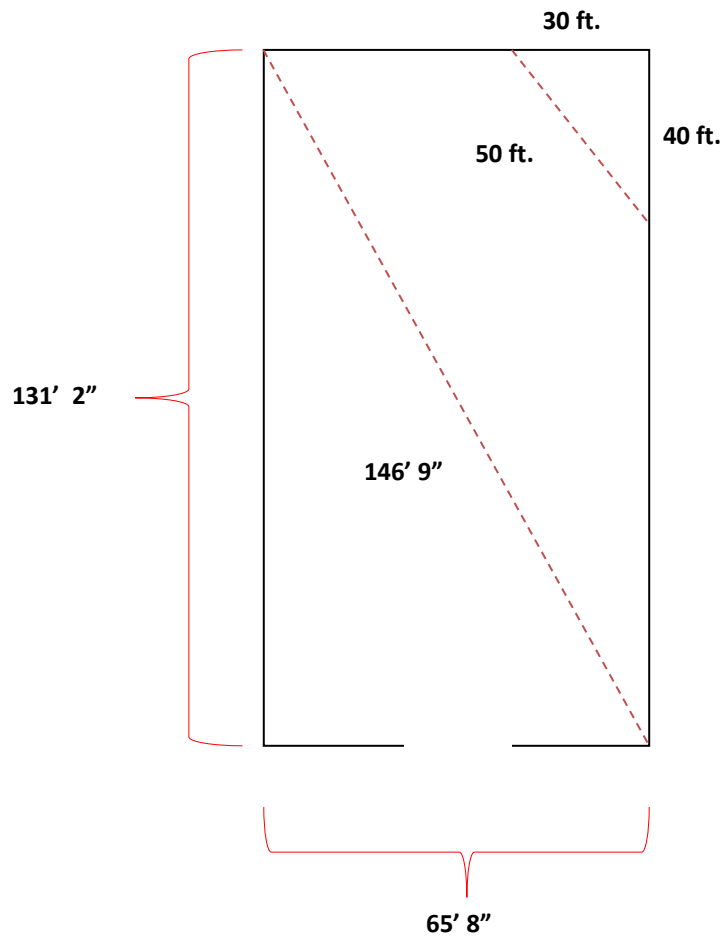


# United States Rules for Working Equitation



*Judge's perspective*

# United States Rules for Working Equitation



*Arena Setup*

## United States Rules for Working Equitation

### WE DRESSAGE TEST – LEVEL 1 (INTRODUCTORY) (1 of 2)

SHOW: \_\_\_\_\_ DATE: \_\_\_\_\_ CLASS # \_\_\_\_\_ ENTRY # \_\_\_\_\_

RIDER: \_\_\_\_\_ HORSE: \_\_\_\_\_ SCORE: \_\_\_\_\_ PLACE: \_\_\_\_\_

JUDGE: \_\_\_\_\_ POSITION: \_\_\_\_\_ SIGNATURE: \_\_\_\_\_

Note: Trot can be performed rising or sitting.

TEST/MOVEMENT		DIRECTIVE IDEA	POINTS	COEFF	TOTAL	REMARKS
1	A X  C C – B	Enter at working trot Halt. Salute. Proceed at working trot. Turn right Working trot	Straightness, immobility of the halt, quality of the turn, regularity.	1		
2	B  B – K	Circle right 20m  <b>Working trot</b>	Geometry of the circle. Bend of the horse. Regularity, fluidity. <b>Regularity and rhythm.</b>	1		
3	K – B	Change rein across the diagonal	Regularity of the trot.	1		
4	B	Medium walk	Transition.	1		
5	Between B and M  M	Angle to the 1/4 line and across from M execute a half circle right 5m Return to the rail and continue.	Precision of the geometry, balance.	2		
6	Between B and F  F	Angle to the 1/4 line and across from F execute a half circle left 5m Return to the rail and continue.	Precision of the geometry, balance.	2		
7	B B – C	Working trot Working trot	Transition. Regularity and rhythm.	1		
8	C	Halt. Rein back 3 to 5 steps. Proceed in medium walk.	Transition to halt. Immobility. Clear steps on reinback. Transition to medium walk.	2		
9	H H – E	Working trot Working trot	Transition to working trot. Regularity and rhythm.	1		
10	E  E – F	Circle left 20m  Working trot	Geometry of circle. Bend of the horse. Regularity, fluidity. Regularity and rhythm.	1		
11	F - X - H	Change rein across the diagonal	Regularity and rhythm	1		
12	H – B	Working trot	Regularity and rhythm	1		
13	B – X	Half circle right 10m	Quality of the half circle; regularity, bend.	1		
14	X G	Down centerline. Halt. Salute.	Straightness. Transition to halt. Immobility.	1		
Leave the arena at A in free walk.						
<b>SUBTOTAL FROM MOVEMENTS</b>						

## United States Rules for Working Equitation

### WE DRESSAGE TEST – LEVEL 1 (INTRODUCTORY) (2 of 2)

	COLLECTIVE MARKS	POINTS	COEFF	TOTAL	REMARKS
GAITS	Correctness, freedom, and regularity.		1		
IMPULSION	Desire to move forward, elasticity of the steps, suppleness of the back, and engagement of the hindquarters.		2		
SUBMISSION	Willing cooperation, harmony, attention and confidence, acceptance of the contact. Straightness, lightness of the forehand and ease of the movements.		2		
RIDER and PRESENTATION	Position and seat of the rider. Correct use and effectiveness of the aids. Completeness and appropriateness of tack and attire.		2		
		<b>SUBTOTAL FROM COLLECTIVE MARKS</b>			
		<b>TOTAL POINTS EARNED</b>			
		<b>MINUS DEDUCTIONS</b> -5 failure to salute Judge (each time); -10 outside assistance (each time); -5 1 <sup>st</sup> error, -5 2 <sup>nd</sup> error, 3 <sup>rd</sup> error = disqualification			
		<b>BALANCE</b>			
		<b>TOTAL POSSIBLE POINTS</b>			240
		<b>FINAL SCORE (%)</b>			

Additional comments:

## United States Rules for Working Equitation

### WE DRESSAGE TEST – LEVEL 2 (NOVICE A) (1 of 2)

SHOW: \_\_\_\_\_ DATE: \_\_\_\_\_ CLASS # \_\_\_\_\_ ENTRY # \_\_\_\_\_

RIDER: \_\_\_\_\_ HORSE: \_\_\_\_\_ SCORE: \_\_\_\_\_ PLACE: \_\_\_\_\_

JUDGE: \_\_\_\_\_ POSITION: \_\_\_\_\_ SIGNATURE: \_\_\_\_\_

Note: Trot can be performed rising or sitting.

TEST/MOVEMENT		DIRECTIVE IDEA	POINTS	COEFF	TOTAL	REMARKS
1	A X C	Enter at working trot Halt. Salute. Proceed at working trot. Turn left. Continue working trot.	Straightness. Immobility at halt. Transitions. Quality of the turn, regularity.	1		
2	H – K	Three-loop serpentine	Regularity of the trot, shape and size of the loops, balance.	1		
3	A	Circle left 15m	Regularity of the trot. Geometry.	1		
4	A A – B	Working canter. Circle left 20m. Continue working canter	Geometry. Transition	2		
5	Between B and M	Working trot	Transition	1		
6	C	Halt. Rein back 3-5 steps. Proceed in medium walk.	Transition to halt. Immobility. Clear steps on reinback. Transition to walk.	2		
7	H – B	Change rein in free walk.	Transition, freedom and activity of free walk.	1		
8	B B – F	Medium walk Continue medium walk	Transition	1		
9	F F – K	Working trot Working trot	Transition Regularity and rhythm	1		
10	K – H	Three-loop serpentine	Regularity of the trot, shape and size of the loops, balance	1		
11	C	Circle right 15m	Regularity of the trot. Geometry.	1		
12	C C – B	Working canter. Circle right 20m. Continue working canter.	Geometry. Transition.	2		
13	Between B and F	Working trot	Transition	1		
14	A X	Down centerline. Halt. Salute.	Quality of the turn, regularity. Straightness. Transition, quality of halt. Immobility.	1		
Leave the arena at A in free walk.						
<b>SUBTOTAL FROM MOVEMENTS</b>						

## United States Rules for Working Equitation

### WE DRESSAGE TEST – LEVEL 2 (NOVICE A) (2 of 2)

COLLECTIVE MARKS		POINTS	COEFF	TOTAL	REMARKS
GAITS	Correctness, freedom, and regularity.		1		
IMPULSION	Desire to move forward, elasticity of the steps, suppleness of the back, and engagement of the hindquarters.		2		
SUBMISSION	Willing cooperation, harmony, attention and confidence, acceptance of the contact. Straightness, lightness of the forehand and ease of the movements.		2		
RIDER and PRESENTATION	Position and seat of the rider. Correct use and effectiveness of the aids. Completeness and appropriateness of tack and attire.		2		
<b>SUBTOTAL FROM COLLECTIVE MARKS</b>					
<b>TOTAL POINTS EARNED</b>					
<b>MINUS DEDUCTIONS</b> -5 failure to salute Judge (each time); -10 outside assistance (each time); -5 1 <sup>st</sup> error, -5 2 <sup>nd</sup> error, 3 <sup>rd</sup> error = disqualification					
<b>BALANCE</b>					
<b>TOTAL POSSIBLE POINTS</b>				<b>240</b>	
<b>FINAL SCORE (%)</b>					

Additional comments:



## United States Rules for Working Equitation

### WE DRESSAGE TEST – LEVEL 3 (NOVICE B) (1 of 2)

SHOW: \_\_\_\_\_ DATE: \_\_\_\_\_ CLASS # \_\_\_\_\_ ENTRY # \_\_\_\_\_

RIDER: \_\_\_\_\_ HORSE: \_\_\_\_\_ SCORE: \_\_\_\_\_ PLACE: \_\_\_\_\_

JUDGE: \_\_\_\_\_ POSITION: \_\_\_\_\_ SIGNATURE: \_\_\_\_\_

Note: Trot can be performed rising or sitting.

TEST/MOVEMENT		DIRECTIVE IDEA	POINTS	COEFF	TOTAL	REMARKS
1	A X C	Enter at working trot Halt. Salute. Proceed at working trot. Turn right.	Straightness. Immobility at halt. Transitions	1		
2	B – X X - E	Half circle right 10m Half circle left 10	Size and geometry of circles, bend and balance	1		
3	A	Medium walk	Transition	1		
4	F – X	Leg yield left	Alignment of horse; balance/flow of leg yield.	2		
5	X – M	Leg yield right	Alignment of horse; balance/flow of leg yield.	2		
6	C	Halt. Rein back 3-5 steps. Proceed in medium walk.	Transition to halt. Immobility. Clear steps on reinback. Transition to walk.	1		
7	Between H and E	Collect the walk steps Half turn on haunches to left Proceed medium walk	Balance, rhythm, bend. Accuracy of turn.	2		
8	Between M and B	Collect the walk steps Half turn on haunches to right Proceed medium walk	Balance, rhythm, bend. Accuracy of turn.	2		
9	M	Working trot	Transition.	1		
10	C	Working canter left lead	Transition.	1		
11	E	Circle left 15m, working canter left lead Continue working canter	Balance, bend, consistency of gait. Geometry of circle.	1		
12	F–X–H X	Change rein through the diagonal Change of lead through trot	Transitions. Balance, fluidity. Correctness, straightness.	2		
13	C C	Circle right 15m, working canter right lead Continue working canter	Balance, bend, consistency of gait. Geometry of circle.	1		
14	M–X–K X	Change rein through the diagonal. Change of lead through trot Continue working canter	Balance, fluidity. Transition. Correctness, straightness.	2		

## United States Rules for Working Equitation

### WE DRESSAGE TEST – LEVEL 3 (NOVICE B) (2 of 2)

TEST/MOVEMENT			DIRECTIVE IDEA	POINTS	COEFF	TOTAL	REMARKS
15	A Between A and X G	Canter down centerline Transition to trot  Halt. Immobility. Salute.	Regularity. Straightness. Transition. Balance.  Quality of halt. Immobility.		1		
Leave the arena at A in free walk.							
<b>SUBTOTAL FROM MOVEMENTS</b>							

COLLECTIVE MARKS		POINTS	COEFF	TOTAL	REMARKS
GAITS	Correctness, freedom, and regularity.		1		
IMPULSION	Desire to move forward, elasticity of the steps, suppleness of the back, and engagement of the hindquarters.		2		
SUBMISSION	Willing cooperation, harmony, attention and confidence, acceptance of the contact. Straightness, lightness of the forehand and ease of the movements.		2		
RIDER and PRESENTATION	Position and seat of the rider. Correct use and effectiveness of the aids. Completeness and appropriateness of tack and attire.		2		
<b>SUBTOTAL FROM COLLECTIVE MARKS</b>					
<b>TOTAL POINTS EARNED</b>					
<b>MINUS DEDUCTIONS</b> -5 failure to salute Judge (each time); -10 outside assistance (each time); -5 1 <sup>st</sup> error, -5 2 <sup>nd</sup> error, 3 <sup>rd</sup> error = disqualification					
<b>BALANCE</b>					
<b>TOTAL POSSIBLE POINTS</b>				280	
<b>FINAL SCORE (%)</b>					

Additional comments:

## United States Rules for Working Equitation

### WE DRESSAGE TEST – LEVEL 4 (INTERMEDIATE A) (1 of 2)

SHOW: \_\_\_\_\_ DATE: \_\_\_\_\_ CLASS # \_\_\_\_\_ ENTRY # \_\_\_\_\_

RIDER: \_\_\_\_\_ HORSE: \_\_\_\_\_ SCORE: \_\_\_\_\_ PLACE: \_\_\_\_\_

JUDGE: \_\_\_\_\_ POSITION: \_\_\_\_\_ SIGNATURE: \_\_\_\_\_

*Note: Sitting trot is required.*

TEST/MOVEMENT		DIRECTIVE IDEA	POINTS	COEFF	TOTAL	REMARKS
<i>MOVEMENTS IN WALK AND TROT</i>						
1	A X C	Enter collected trot Halt. Immobility. Salute. Proceed at collected trot. Turn left.	Straightness on centerline. Acceptance of halt. Immobility. Transition to trot. Balance of the turn.	1		
2	H-X-F	Change rein in medium trot	Quality/clarity of trot transition.	1		
3	F A	Collected trot Turn right on centerline	Quality/clarity of trot transition. Straightness on centerline.	1		
4	X	Circle right 10m	Geometry of circle	1		
5	X-H	Leg yield	Balance/flow of leg yield.	2		
6	H C	Collected trot Turn right on centerline	Straightness on centerline.	1		
7	X	Circle left 10m	Geometry of circle	1		
8	X – K K	Leg yield Collected trot	Balance/flow of leg yield	2		
9	A	Halt. Rein back 6-10 steps. Proceed in medium walk.	Square halt. Equal rein back steps; no resistance.	2		
10	Between F and X F	On the diagonal, collect the walk. Half turn on haunches to the left. Medium walk.	Balance, rhythm, bend, accuracy of turn.	2		
11	Between K and X K	On the diagonal, collect the walk. Half turn on haunches to the right. Medium walk.	Balance, rhythm, bend, accuracy of turn.	2		
<i>MOVEMENTS IN CANTER</i>						
12	A	Collected canter left lead	Quality of transition; regularity of canter	1		
13	Between F and B	Develop medium canter	Clear transition to medium canter; regularity of gait.	1		
14	B B B	Continue left 20m, medium canter Circle left 15m, collected canter Continue collected canter left lead	Geometry of circles, balance and regularity of canter; accuracy of transition.	2		
15	H-X-F X	Change of rein on the diagonal Simple change of lead	Precision and quality of change; transitions, straightness	2		
16	Between K and E	Develop medium canter	Clear transition to medium canter; regularity of gait	1		

## United States Rules for Working Equitation

### WE DRESSAGE TEST – LEVEL 4 (INTERMEDIATE A) (2 of 2)

TEST/MOVEMENT		DIRECTIVE IDEA	POINTS	COEFF	TOTAL	REMARKS
17	E	Continue right 20m, medium canter		2		
	E	Circle right 15m, collected canter				
	E	Continue collected canter right lead				
18	M-X-K	Change of rein on diagonal		2		
	X	Simple change of lead				
	K	Continue collected canter on left lead				
19	A	Down centerline		1		
	X	Halt. Immobility. Salute.				
Leave the arena at A in free walk.						
<b>SUBTOTAL FROM MOVEMENTS</b>						

COLLECTIVE MARKS		POINTS	COEFF	TOTAL	REMARKS
GAITS	Correctness, freedom, and regularity.		1		
IMPULSION	Desire to move forward, elasticity of the steps, suppleness of the back, and engagement of the hindquarters.		2		
SUBMISSION	Willing cooperation, harmony, attention and confidence, acceptance of the contact. Straightness, lightness of the forehand and ease of the movements.		2		
RIDER and PRESENTATION	Position and seat of the rider. Correct use and effectiveness of the aids. Completeness and appropriateness of tack and attire.		2		
<b>SUBTOTAL FROM COLLECTIVE MARKS</b>					
<b>TOTAL POINTS EARNED</b>					
<b>MINUS DEDUCTIONS</b> -5 failure to salute Judge (each time); -10 outside assistance (each time); -5 1 <sup>st</sup> error, -5 2 <sup>nd</sup> error, 3 <sup>rd</sup> error = disqualification					
<b>BALANCE</b>					
<b>TOTAL POSSIBLE POINTS</b>				350	
<b>FINAL SCORE (%)</b>					

Additional comments:

## United States Rules for Working Equitation

### WE DRESSAGE TEST – LEVEL 5 (INTERMEDIATE B) (1 of 2)

SHOW: \_\_\_\_\_ DATE: \_\_\_\_\_ CLASS # \_\_\_\_\_ ENTRY # \_\_\_\_\_

RIDER: \_\_\_\_\_ HORSE: \_\_\_\_\_ SCORE: \_\_\_\_\_ PLACE: \_\_\_\_\_

JUDGE: \_\_\_\_\_ POSITION: \_\_\_\_\_ SIGNATURE: \_\_\_\_\_

*Note: Sitting trot is required.*

TEST/MOVEMENT		DIRECTIVE IDEA	POINTS	COEFF	TOTAL	REMARKS
<i>MOVEMENTS IN WALK</i>						
1	A X C	Enter collected canter Halt. Salute. Proceed at medium walk. Turn right.	Straightness. Immobility at the halt. Transitions.	1		
2	M – X	Half pass right	Regularity, geometry, bend, fluidity	2		
3	X A	Straight down centerline Turn left	Straightness. Quality of turn.	1		
4	F – X	Half pass left	Regularity, geometry, bend, fluidity	2		
5	X C	Straight down centerline Turn left	Straightness. Quality of turn.	1		
6	Between C and corner	Collect the walk and 1/2 pirouette left	Quality of the walk (rhythm, regularity, 4 beats in the pirouette). Size of the pirouette.	2		
7	Between C and corner	Collect the walk and 1/2 pirouette right	Quality of the walk (rhythm, regularity, 4 beats in the pirouette). Size of the pirouette.	2		
<i>MOVEMENTS IN TROT</i>						
8	C	Collected trot	Transition	1		
9	H–X–F	Medium trot	Transition, regularity, straightness	1		
10	F	Collected trot	Transition	1		
11	A D – E	Down centerline Leg yield left	Regularity, straightness, fluidity	2		
12	E – X X – B	Half circle right 10m Half circle left 10m	Precision of half circles, bend, balance, regularity	1		
13	C G – E	Down centerline Leg yield right	Regularity, straightness, fluidity	2		
<i>MOVEMENTS IN CANTER</i>						
14	A	Collected canter left lead.	Transition.	1		
15	A	Circle left 15m	Geometry, regularity	1		
16	B X E	Turn left Flying change of lead Turn right	Straightness, transitions, quality of the change	2		
17	C	Circle right 15m	Geometry, regularity	1		
18	M – F	Medium canter	Transition, straightness, regularity	1		
19	F	Collected canter	Transition	1		

## United States Rules for Working Equitation

### WE DRESSAGE TEST – LEVEL 5 (INTERMEDIATE B) (2 of 2)

TEST/MOVEMENT		DIRECTIVE IDEA	POINTS	COEFF	TOTAL	REMARKS
20	K – B Crossing centerline	Change rein on short diagonal Flying change of lead		2		
21	B – H Crossing centerline	Change rein on short diagonal Flying change of lead		2		
22	B X G	Turn right Turn right Halt. Immobility. Salute.		1		
Leave the arena at A in free walk.						
<b>SUBTOTAL FROM MOVEMENTS</b>						

COLLECTIVE MARKS		POINTS	COEFF	TOTAL	REMARKS
GAITS	Correctness, freedom, and regularity.		1		
IMPULSION	Desire to move forward, elasticity of the steps, suppleness of the back, and engagement of the hindquarters.		2		
SUBMISSION	Willing cooperation, harmony, attention and confidence, acceptance of the contact. Straightness, lightness of the forehand and ease of the movements.		2		
RIDER and PRESENTATION	Position and seat of the rider. Correct use and effectiveness of the aids. Completeness and appropriateness of tack and attire.		2		
<b>SUBTOTAL FROM COLLECTIVE MARKS</b>					
<b>TOTAL POINTS EARNED</b>					
<b>MINUS DEDUCTIONS</b> -5 failure to salute Judge (each time); -10 outside assistance (each time); -5 1 <sup>st</sup> error, -5 2 <sup>nd</sup> error, 3 <sup>rd</sup> error = disqualification					
<b>BALANCE</b>					
<b>TOTAL POSSIBLE POINTS</b>				380	
<b>FINAL SCORE (%)</b>					

Additional comments:

## United States Rules for Working Equitation

### WE DRESSAGE TEST – LEVEL 6 (ADVANCED) (1 of 2)

SHOW: \_\_\_\_\_ DATE: \_\_\_\_\_ CLASS # \_\_\_\_\_ ENTRY # \_\_\_\_\_

RIDER: \_\_\_\_\_ HORSE: \_\_\_\_\_ SCORE: \_\_\_\_\_ PLACE: \_\_\_\_\_

JUDGE: \_\_\_\_\_ POSITION: \_\_\_\_\_ SIGNATURE: \_\_\_\_\_

*Note: Sitting trot is required.*

TEST/MOVEMENT		DIRECTIVE IDEA	POINTS	COEFF	TOTAL	REMARKS
<i>MOVEMENTS IN WALK AND TROT</i>						
1	A X	Enter collected canter Halt. Immobility. Salute. Proceed at medium walk.	Straightness. Regularity. Acceptance of the halt. Immobility. Transitions.	1		
2	G G C	Circle right 8m Circle left 8m Turn left	Geometry of the circles. Regularity and definition of the medium walk. Quality of the bend.	1		
3	H toward B	Collect the walk Diagonal, at the 1/4 line perform a walk pirouette to the left. Continue on the diagonal in medium walk.	Transition to collected walk. Quality of the walk during the pirouette. Size of the pirouette.	2		
4	Toward B	Collect the walk, reaching 1/4 line At the 1/4 line, perform a walk pirouette to the right Continue in medium walk	Transition to collected walk. Quality of the walk during the pirouette. Size of the pirouette. Transition to medium walk.	2		
5	B – K	Extended walk	Transition. Freedom and regularity of the walk.	2		
6	K	Medium walk	Transition.	1		
7	A	Halt. Immobility. Proceed at collected walk.	Acceptance of the halt. Immobility. Transitions. Straightness.	1		
8	F – X	Half pass left	Regularity, geometry, symmetry, fluidity, bend	2		
9	X X – M	Change bend Half pass right	Regularity, geometry, symmetry, fluidity, bend	2		
10	C	Collected trot	Transition	1		
11	H–X–F	Medium trot	Transition	1		
12	F	Collected trot	Transition	1		
13	E	Halt. Immobility. Rein back 6-10 steps. Proceed immediately in collected canter.	Acceptance of the halt. Immobility. Transitions. Straightness.	2		
<i>MOVEMENTS IN CANTER</i>						
14	C	Describe 3 circles to the right: the first circle (20m) extended canter; second (15m) medium canter; third (10m) collected canter. All circles must begin and finish at the same point.	Geometry of the circles, bend of the horse in each circle. Regularity, fluidity. Definition of the 3 variations of canter.	2		
15	M–X–K	Change rein Flying change of lead at X	Straightness, maintenance of rhythm, quality of the change.	2		
16	A	Describe 3 circles to the left: the first circle (20m) extended canter; second (15m) medium canter; third (10m) collected canter. All circles must begin and finish at the same point.	Geometry of the circles, bend of the horse in each circle. Regularity, fluidity. Definition of the 3 variations of canter.	2		

## United States Rules for Working Equitation

### WE DRESSAGE TEST – LEVEL 6 (ADVANCED) (2 of 2)

TEST/MOVEMENT		DIRECTIVE IDEA	POINTS	COEFF	TOTAL	REMARKS
17	F–X–H Between X and H	Proceed on the diagonal. Working half pirouette to the left with the minimum number of steps possible while maintaining collected canter.		2		
18	X	Flying change of lead		2		
19	Between X and F	Working half pirouette to the right with the minimum number of steps possible while maintaining the canter.		2		
20	M – F F – K K – H H	Extended canter Collected canter Extended canter Collected canter		2		
21	C – A	4-loop serpentine at collected canter with flying changes at each change of direction at centerline		2		
22	A D – G G	Down centerline Extended canter Halt. Immobility. Salute.		1		
Leave the arena at A in free walk.						
<b>SUBTOTAL FROM MOVEMENTS</b>						

COLLECTIVE MARKS		POINTS	COEFF	TOTAL	REMARKS
GAITS	Correctness, freedom, and regularity.		1		
IMPULSION	Desire to move forward, elasticity of the steps, suppleness of the back, and engagement of the hindquarters.		2		
SUBMISSION	Willing cooperation, harmony, attention and confidence, acceptance of the contact. Straightness, lightness of the forehand and ease of the movements.		2		
RIDER and PRESENTATION	Position and seat of the rider. Correct use and effectiveness of the aids. Completeness and appropriateness of tack and attire.		2		
<b>SUBTOTAL FROM COLLECTIVE MARKS</b>					
<b>TOTAL POINTS EARNED</b>					
<b>MINUS DEDUCTIONS</b>					
-5 failure to salute Judge (each time); -5 1 <sup>st</sup> error, -5 2 <sup>nd</sup> error, 3 <sup>rd</sup> error = disqualification -5 stroking/touching horse's neck (each time), 3 <sup>rd</sup> time is DQ					
<b>BALANCE</b>					
<b>TOTAL POSSIBLE POINTS</b>				430	
<b>FINAL SCORE (%)</b>					

Additional Comments:



## United States Rules for Working Equitation

### WE DRESSAGE TEST – LEVEL 7 (MASTERS – WAVE 2017) (1 of 2)

SHOW: \_\_\_\_\_ DATE: \_\_\_\_\_ CLASS # \_\_\_\_\_ ENTRY # \_\_\_\_\_

RIDER: \_\_\_\_\_ HORSE: \_\_\_\_\_ SCORE: \_\_\_\_\_ PLACE: \_\_\_\_\_

JUDGE: \_\_\_\_\_ POSITION: \_\_\_\_\_ SIGNATURE: \_\_\_\_\_

*Note: Sitting trot is required.*

TEST/MOVEMENT	DIRECTIVE IDEA	POINTS	COEFF	TOTAL	REMARKS
1	Enter at collected canter. Halt. Immobility. Salute facing the President of the Jury.		1		
<i>MOVEMENTS AT WALK</i>					
2	Walk in a straight line (minimum 10m)		1		
3	Full pirouette on right rein		1		
4	Full pirouette on left rein		1		
5	Halt. Rein back (minimum 6 steps and maximum 10 steps) and exit at a walk.		1		
6	Half pass to the right (minimum 10m)		1		
7	Half pass to the left (minimum 10m)		1		
<i>MOVEMENTS AT TROT</i>					
8	Perform a 3-loop serpentine		1		
9	Two leg yields, one on each side (minimum 10m each)		1		
10	Medium trot (minimum 15m)		1		
11	Halt. Rein back 6 steps. Immediately canter to the right lead.		1		
<i>MOVEMENTS AT CANTER</i>					
12	Describe 3 circles to the right: the first circle (20m) extended canter; second (15m) medium canter; third (10m) collected canter. All circles must begin and finish at the same point.		1		
13	Flying change		1		
14	Describe 3 circles to the left: the first circle (20m) extended canter; second (15m) medium canter; third (10m) collected canter. All circles must begin and finish at the same point.		1		

## United States Rules for Working Equitation

### WE DRESSAGE TEST – LEVEL 7 (MASTERS – WAVE 2017) (2 of 2)

TEST/MOVEMENT	DIRECTIVE IDEA	POINTS	COEFF	TOTAL	REMARKS
15	Describe 2 circles with the same diameter (max 10m) to describe a figure of "8" with flying change		1		
16	Half turn on the left rein		1		
17	Flying change		1		
18	Half turn on the right rein		1		
19	Change of canter on three sides of arena. The canter must be extended on the longest side of the arena, collected on the short side, and extended again on the next long side.		1		
20	Increase the speed and stop. Proceed in canter.		1		
21	Describe a serpentine with 4 loops, with flying changes at every crossing of the centerline		1		
22	Centerline. Halt. Immobility. Salute.		1		
Leave the arena at A in free walk.					

<b>SUBTOTAL FROM MOVEMENTS</b>	
--------------------------------	--

COLLECTIVE MARKS		POINTS	COEFF	TOTAL	REMARKS
PACES (GAITS)	Freedom and regularity.		1		
IMPULSION	Desire to move forward, elasticity of the steps, suppleness of the back, and engagement of the hindquarters.		1		
SUBMISSION	Attention and obedience, lightness and ease of the movements, acceptance of contact.		1		
RIDER	Position and seat of the rider. Correct use and effectiveness of the aids.		1		
ARTISTIC MARK	Music and sequence.		1		

<b>SUBTOTAL FROM COLLECTIVE MARKS</b>	
<b>TOTAL POINTS EARNED</b>	
<b>MINUS DEDUCTIONS</b> -5 1 <sup>st</sup> error, -5 2 <sup>nd</sup> error, 3 <sup>rd</sup> error = disqualification	
<b>BALANCE</b>	
<b>TOTAL POSSIBLE POINTS</b>	<b>270</b>
<b>FINAL SCORE (%)</b>	