

Linear Translator

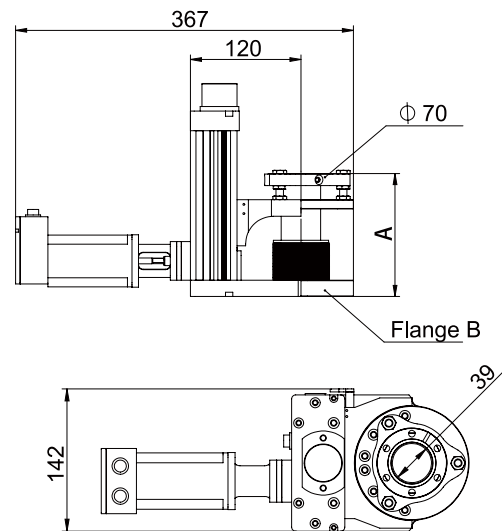
with Aluminum Frame And Port Aligner



These linear translators have Solid Supporting Aluminum Frame with $\pm 3^\circ$. They are enough stable and accurate to carry heavy components inserted into a UHV environment. They covers travel length and could be either manual or motor driven. FERMI INSTRUMENTS also offer to customize these series.

Specification

- ✓ Welded Bellows Seal with SS 316
- ✓ Working Pressure: 10^{-11} mbar to 1 bar
- ✓ Etched Scale in 1mm Increments
- ✓ Bakeable to 150°C
- ✓ Tilt Motion: $\pm 3^\circ$
- ✓ Tapped holes On Upper Flange And Clear Holes On Lower Flange



Flange B OD		Actuation	Stroke	A Extended mm	A Compressed	Weight (Kg)	Part Number
mm	inch						
70	2.75	Manual	75	209	134	7.1	LDABS38-75
		Motorized				8.6	LDABS38-75M
		Manual	100	234	134	7.5	LDABS38-100
		Motorized				9	LDABS38-100M
		Manual	150	302	152	8.1	LDABS38-150
		Motorized				9.6	LDABS38-150M
114	4.50	Manual	75	209	134	6.6	LDABS63-75
		Motorized				8.1	LDABS63-75M
		Manual	100	234	134	7.2	LDABS63-100
		Motorized				8.7	LDABS63-100M
		Manual	150	302	152	7.8	LDABS63-150
		Motorized				9.3	LDABS63-150M