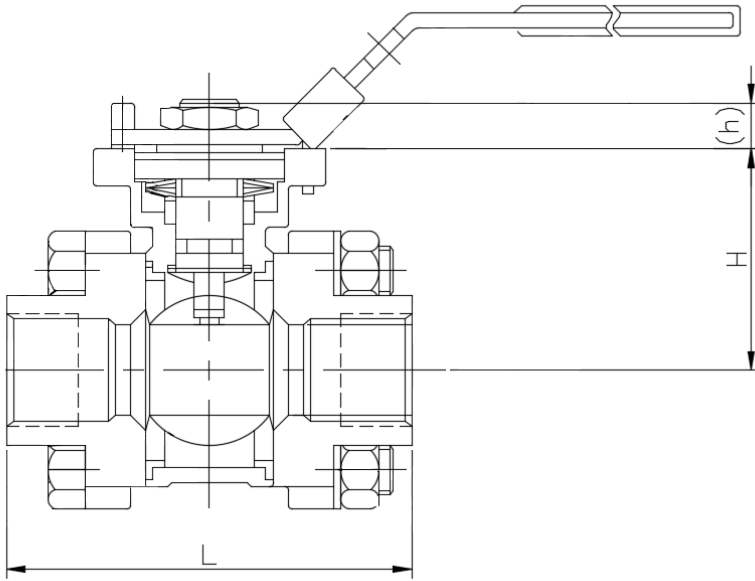




**TRANS-VALVE**  
SPECIALTY VALVES FOR INDUSTRY

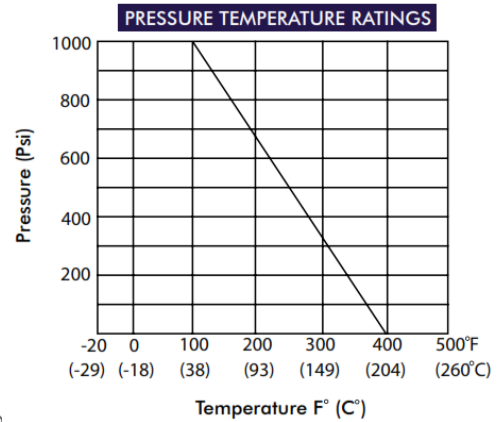
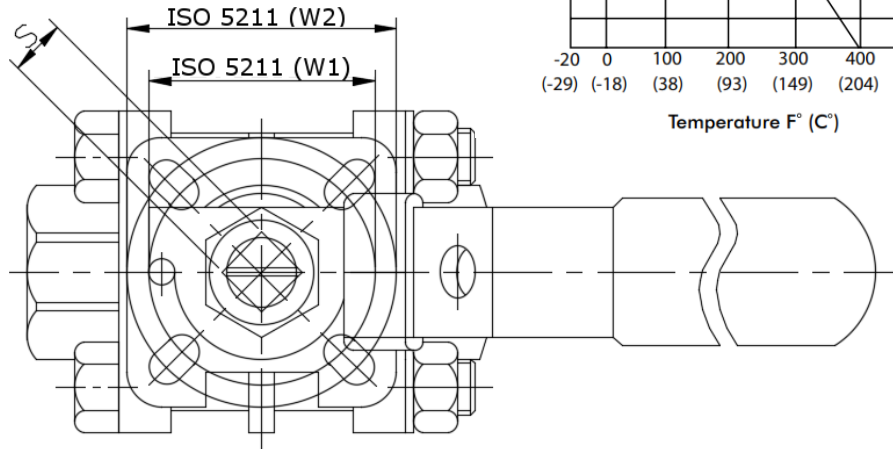
**Figure T-V3AM**  
Direct Actuator Mount  
Ball Valve

**Fig. T-V3AM Technical and Dimensional Data:**



Size	L	H	h	in. / lb. Torque
1/2"	2.58"	1.50"	.28"	40
3/4"	3.06"	1.67"	.35"	72
1"	3.29"	1.91"	.47"	95
1 1/4"	4.04"	2.13"	.47"	130
1 1/2"	4.63"	2.60"	.63"	180
2"	5.13"	2.91"	.63"	220
2 1/2"	6.24"	3.96"	.75"	300
3"	7.00"	4.32"	.75"	485

Size	S	W1	W2	ISO-5211
1/2"	.35"	1.42"	1.65"	F03/F04
3/4"	.35"	1.42"	1.65"	F03/F04
1"	.43"	1.65"	1.97"	F04/F05
1 1/4"	.43"	1.65"	1.97"	F04/F05
1 1/2"	.55"	1.97"	2.76"	F05/F07
2"	.55"	1.97"	2.76"	F05/F07
2 1/2"	.67"	2.76"	4.02"	F07/F10
3"	.67"	2.76"	4.02"	F07/F10



[www.trans-valve.com](http://www.trans-valve.com)



**TRANS-VALVE**  
SPECIALTY VALVES FOR INDUSTRY