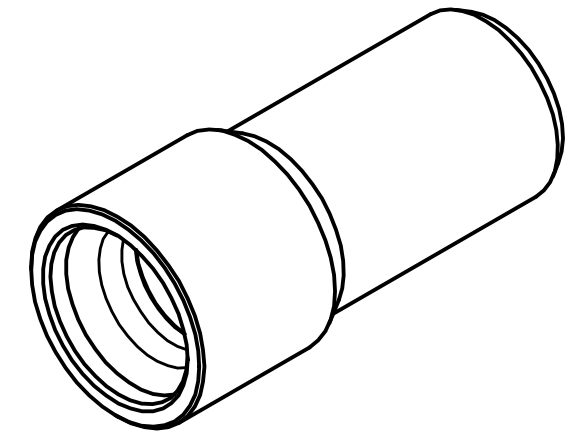
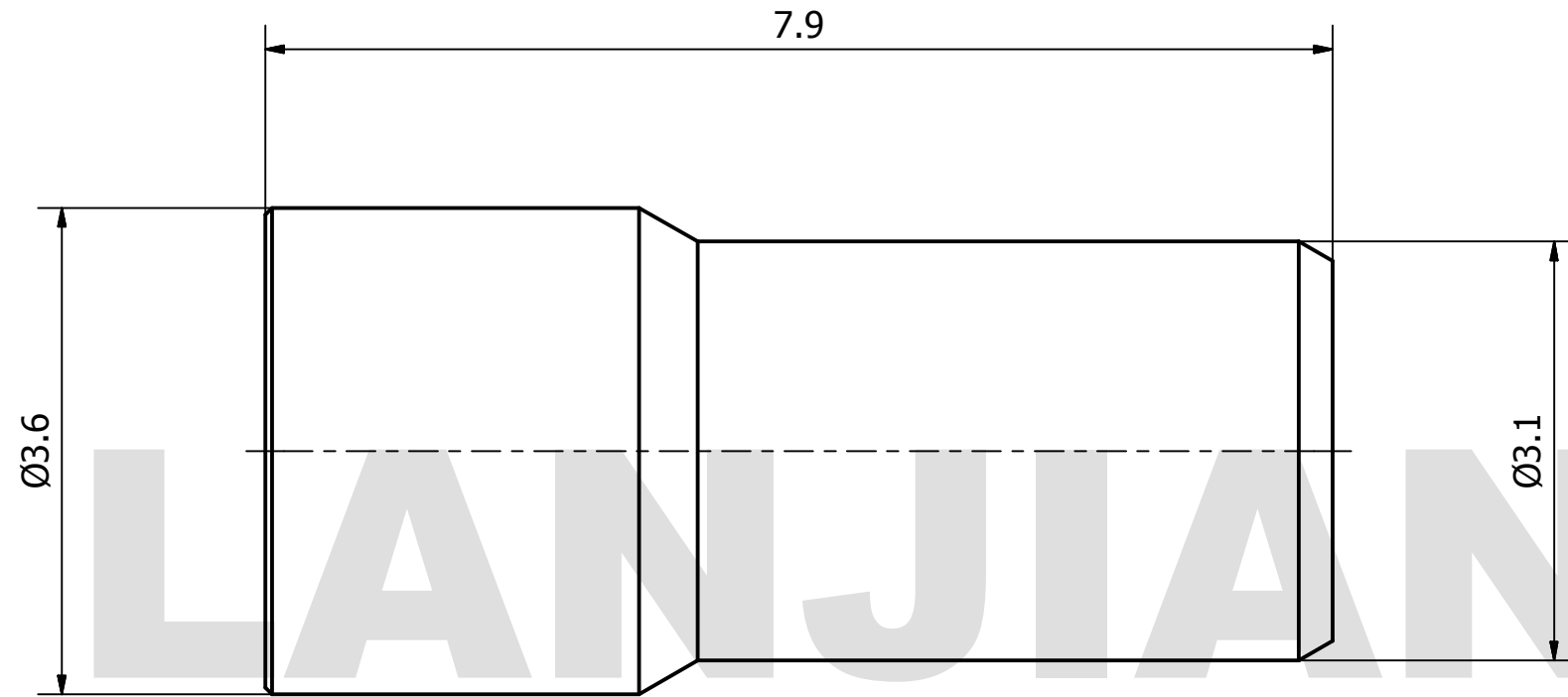


PRODUCT DATA SHEET



MATERIAL:
 BODY: BRONZE
 CONTACT: BERYLLIUM COPPER PER ASTM B196.
 INSULATOR: PTFE

PERFORMANCE:
 IMPEDANCE: 50 OHMS
 FREQUENCY: DC TO 40 GHz
 VSWR: ≤1.25

THIS DOCUMENT CONTAINS CONFIDENTIAL AND PROPRIETARY INFORMATION THAT CANNOT BE REPRODUCED OR DIVULGED, IN WHOLE OR IN PART, WITHOUT WRITTEN AUTHORIZATION FROM "LANJIAN ELECTRONICS"

MATERIAL :			
UNLESS OTHERWISE SPECIFIED: DIMENSIONS IN MM			
TOLERANCES :			
X.X	± 0.20	ANGULAR : ± 1°	DEBURR AND BREAK SHARP EDGES
X.XX	± 0.10	FILLETS R/C : ± 0.10	
X.XXX	± 0.01	SURFACE FINISH : Ra 1.6	
	NAME	DATE	SIGNATURE
DRAWN	YaoJiang	07/16/2019	
CHK'D	HongZhongYan	07/16/2019	
APPV'D	HongZhongYan	07/16/2019	
MFG			
PROJECTION		SIZE	SCALE
		A3	18 : 1

LANJIAN ELECTRONICS
 38 Hengtong Road, Xinqu Dingmao
 Zhenjiang, 212009, Jiangsu, P. R. China

TITLE
SMPM/MX-JK straight adaptor

DWG No. GCPZ3.640.H.004	REV. A
DO NOT SCALE THE DRAWING	
PAGE 1 / 1	