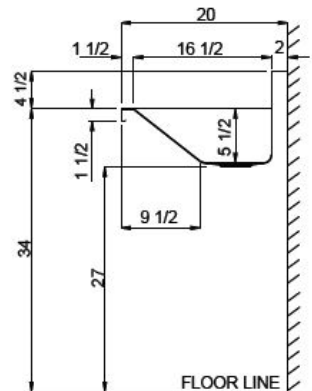
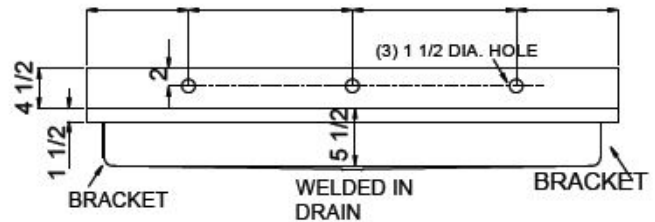
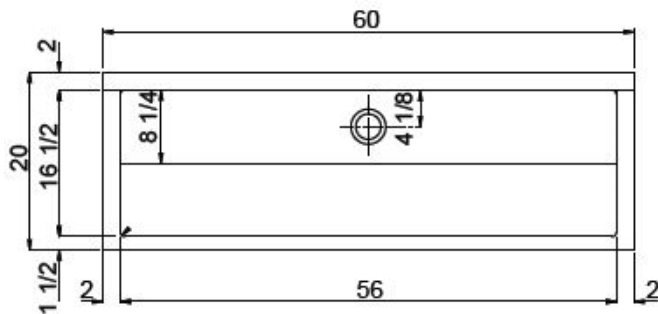


Wicketts Stainless

SPECIFICATION

Commercial Sink Heavy Duty
ADA Wash Sink
WWT-Series



Model Number	L	W	L1	D	W1	BS
WWT 6020-ADA-4-BS	60	20	57	8		4.5

Engineering Specification:

14 gauge, type 304 stainless steel wash sink. Top 1-3/8" rolled rims. 1 1/2" welded in grid drain. Exposed surfaces polished to a satin finish. Supported on (2) wall brackets and clips.

Wicketts Stainless, INC
825 S. LAKEVIEW AVE UNIT C
PLACENTIA, CA 92870
Tel: 949-438-7535
Fax: 951-638-9059
www.wickettsstainless.com
sales@wickettsstainless.com



Approved for Manufacturing
Company: _____
Signature: _____
Print: _____ Date: / /