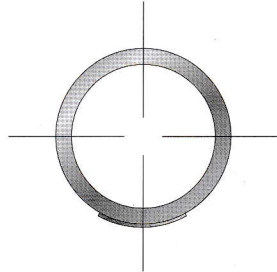


AMCO STEEL TAPERED LAMP POST

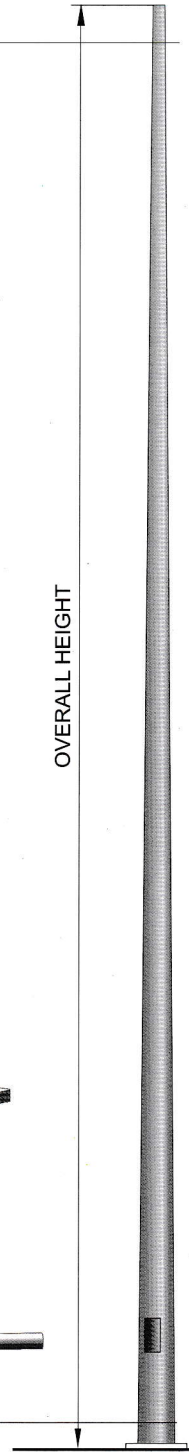
(HOT-DIP GALVANIZED AVAILABLE UPON REQUEST)

APPROX. TOP DIAMETER

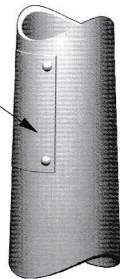
PIPE THICKNESS:
2.5 - 3.0mm approx.



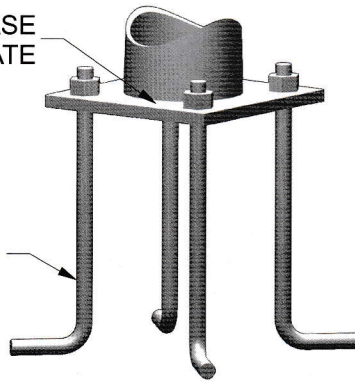
OVERALL HEIGHT



HANDHOLE
COVER W/
RUBBER
GASKET



BASE
PLATE



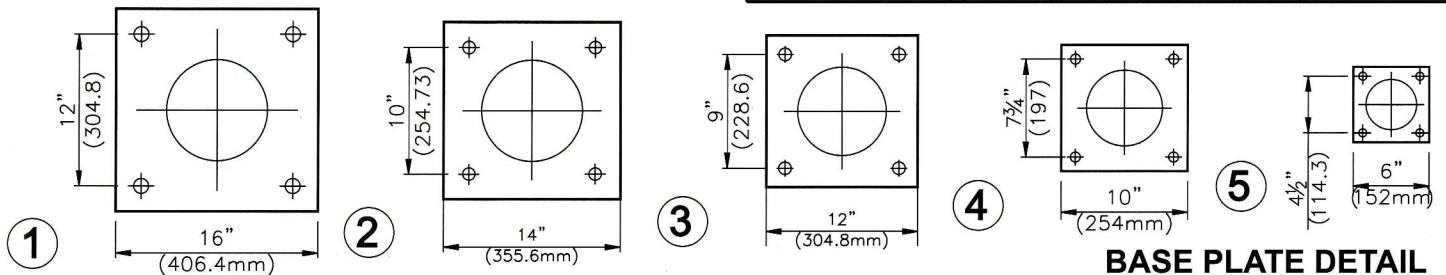
ANCHOR
BOLT

DIAMETER

SPECIFICATION:

- WITH BASE PLATE
- ZINC ELECTROPLATED COATING WITH RED LEAD AND ALUMINUM PAINT
- WITH ANCHOR BOLT, NUT AND WASHER

MODEL NO.	HEIGHT	DIAMETER	TOP	BASE PLATE	ANCHOR BOLT
T-4-10	10' (3.0 M)	4" (101.6mm)	2"	5	5/8" X 9" (16 x 228.6 mm)
T-4-15	15' (4.5 M)	4" (101.6mm)	2"	4	5/8" X 9" (16 x 228.6 mm)
T-4-20	20' (6.0 M)	4" (101.6mm)	2"	4	3/4" X 18" (19 x 457 mm)
T-4-25	25' (7.6 M)	4" (101.6mm)	2"	4	3/4" X 18" (19 x 457 mm)
T-5-15	15' (4.5 M)	5" (127mm)	3"	4	3/4" X 18" (19 x 457 mm)
T-5-20	20' (6.0 M)	5" (127mm)	3"	4	3/4" X 18" (19 x 457 mm)
T-5-25	25' (7.6 M)	5" (127mm)	3"	4	3/4" X 18" (19 x 457 mm)
T-5-30	30' (9.1 M)	5" (127mm)	3"	3	1" X 28" (25.4 x 711 mm)
T-6-20	20' (6.0 M)	6" (152.4mm)	3"	4	3/4" X 18" (19 x 457 mm)
T-6-25	25' (7.6 M)	6" (152.4mm)	3"	4	3/4" X 18" (19 x 457 mm)
T-6-30	30' (9.1 M)	6" (152.4mm)	3"	3	1" X 28" (25.4 x 711 mm)
T-6-35	35' (10.6 M)	6" (152.4mm)	3"	3	1" X 28" (25.4 x 711 mm)
T-7-20	20' (6.0 M)	7" (177.8mm)	4"	4	3/4" X 18" (19 x 457 mm)
T-7-25	25' (7.6 M)	7" (177.8mm)	4"	4	3/4" X 18" (19 x 457 mm)
T-7-30	30' (9.1 M)	7" (177.8mm)	4"	3	1" X 28" (25.4 x 711 mm)
T-7-35	35' (10.6 M)	7" (177.8mm)	4"	3	1" X 28" (25.4 x 711 mm)
T-8-20	20' (6.0 M)	8" (203.2mm)	4"	3	1" X 28" (25.4 x 711 mm)
T-8-25	25' (7.6 M)	8" (203.2mm)	4"	3	1" X 28" (25.4 x 711 mm)
T-8-30	30' (9.1 M)	8" (203.2mm)	4"	2	1" X 28" (25.4 x 711 mm)
T-8-35	35' (10.6 M)	8" (203.2mm)	4"	2	1" X 28" (25.4 x 711 mm)
T-8-40	40' (12.1 M)	8" (203.2mm)	4"	1	1" X 28" (25.4 x 711 mm)
T-8-45	45' (13.7 M)	8" (203.2mm)	4"	1	1" X 28" (25.4 x 711 mm)



BASE PLATE DETAIL