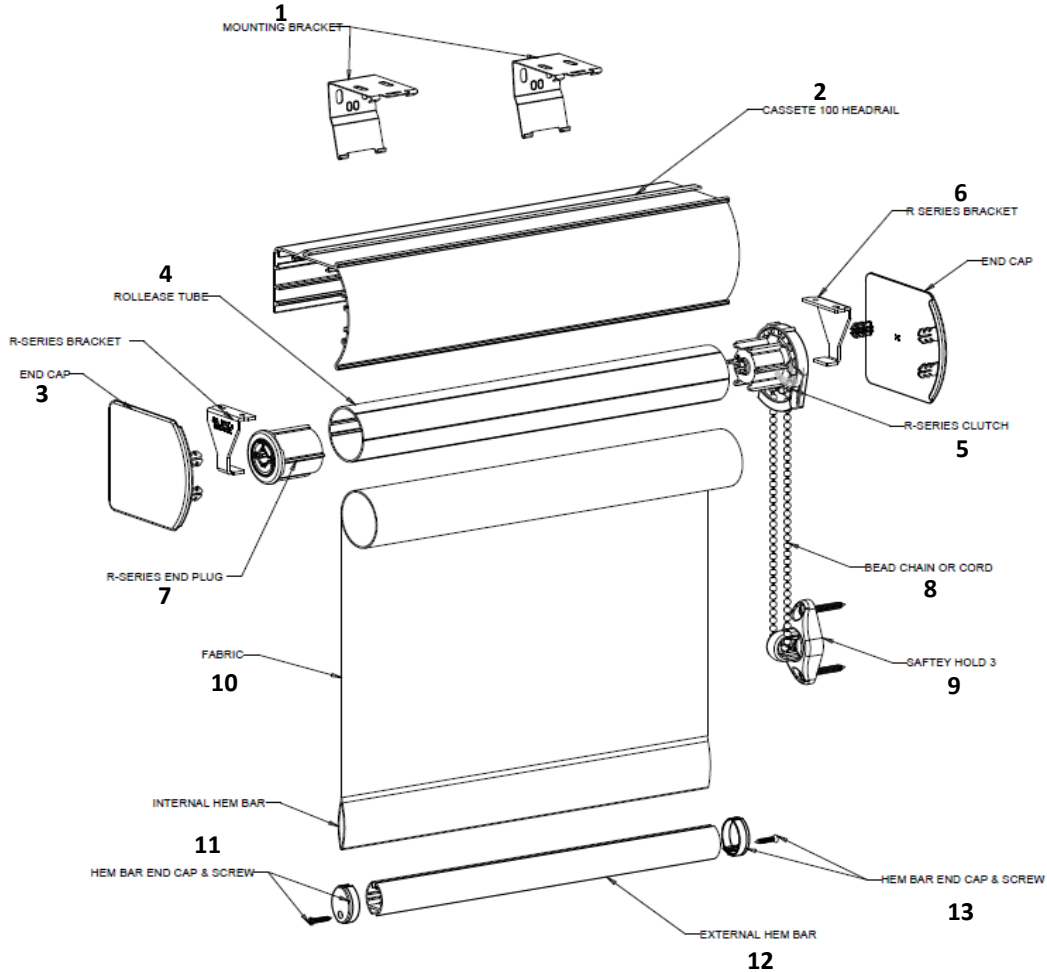


R-Series Cassette 100 System Diagram



1	Mounting Brackets
2	Cassette 100 Headrail
3	End Cap
4	RollEase Tube
5	R-Series Clutch
6	R-Series Bracket
7	R-Series End Plug (Idler)
8	Bead Chain or Cord
9	SafetyHold 3
10	Fabric
11	Internal Hem Bar
12	External Hem Bar
13	External Hem Bar End Caps & Screws

Maximum Roll Diameter is 2-1/2"

Cassette 100 Headrail is
3.10" Tall x 3.72" Wide

Note: Use either Internal OR External Hem Bar with End Cap & Screws

Skyline & R-Series – Inside Mount & Outside Mount Cassette 100 Installation

Step 1: Carefully remove shade from the box and package wrapping.

TIP: Installation is the same in both Skyline and R-Series applications. However, deduction data will vary.

Step 2: Install Mounting Brackets using correct screws.

Tip: Mounting Brackets should be placed approximately every 18"

Inside Mount



For inside mount,
use holes on top
of bracket

Outside Mount



For outside mount,
use holes on the back
of bracket

Step 3: Install Headrail

Snap Headrail into place by sliding groove in back of headrail into the bottom of the mounting bracket. Push forward and up, snapping the headrail into the top of the mounting bracket.



Be sure the hooked
part of the bracket is
fully engaged around
the headrail

**Skyline & R-Series– Inside & Outside Mount
Cassette 100 Installation**

Step 4: Install Tension Device (See instructions for Safety Hold3)

Installed Shade: Inside Mount



Installed Shade: Outside Mount

