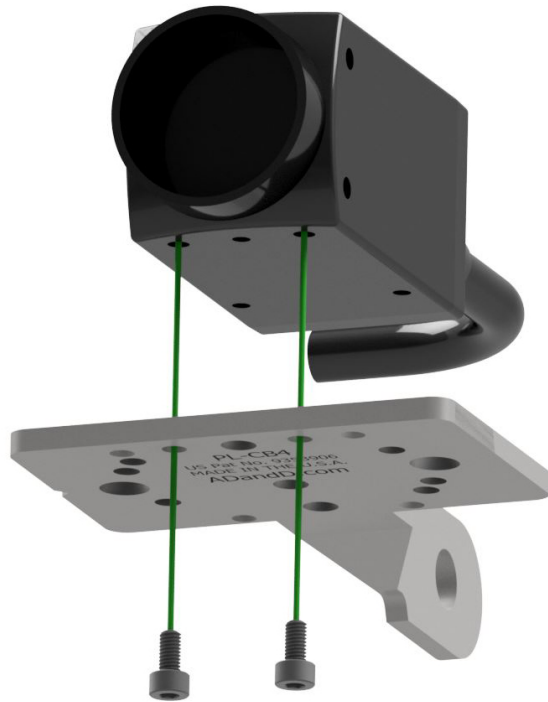


ADandD P/N PL-CB4

Mounting for Keyence XG-H200 C/M Camera

Mounts with included (2) S.H.C.S - M3-.05mm X 6mm 18-8SS



Sample Setup Application

