

PROJECT:			
PRODUCT NUMBER:		DATE:	
NOTES:			

# LED MiniCan™ 2" Recessed Downlight

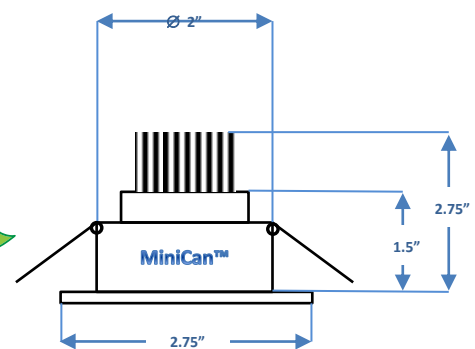
PATENT PENDING

### SPECIFICATIONS

Power Consumption	2.7 – 3.6 watts per fixture	
Lumens	170 lumens	
Luminous Efficacy	63 lm/w	
Voltage	12V DC	
Power Factor	0.90 (at 75-100% load)	
CRI	84 (2700K)	R9: 22.9
	87 (3500K)	R9: 37.1
Color Temperature	Warm White:	2700K
	Neutral White:	3500K
Beam Angle	60°	
Diode Nativity	Nichia NS6	
Rated Life	35,000 hours <i>minimum</i>	
Warranty	5 year limited – luminaire	
	2 year limited – power supply	
Power Supply	12V DC – Class 2 only Regulated, Constant Voltage	
Dimming	With NuLEDs controllers	
Compatible Controls & Additional Options <i>Ordered separately</i>	NuLEDs SD-232™	
	NuLEDs LD-003™	
	NuLEDs PIR occupancy sensor	
Certifications & Code Requirements	UL Listed – UL2108, UL1598, UL8750 <i>IFDR – Low Voltage Luminaire – File# E341803</i>	
	cUL Listed – CSA 22.2 No. 250.0 & 9.0 <i>Luminaires, Cabinet &amp; Under-Cabinet Luminaires</i>	
	Suitable for Damp Locations	
	Type IC Recessed – Inherently Protected for Insulated Ceilings	
	Made in the USA	
	CA Title 24 Compliant High efficacy LED luminaires Lighting Facts Label	
Dimensions	Ø 2", Depth 2.75" (with optional heatsink)	
Trims/Finish	Brushed Aluminum (standard)	
Mounting	Spring clips (included) <i>Also see Installation Instructions</i>	
Wiring	Parallel	

### Applications

- Recessed Downlighting
- Elevator cabs *Also see nuCAB*
- Drywall
- Suspended ceilings
- Under-cabinet or cabinet
- Retrofit or new installations



*NuLEDs LED MiniCan™ is a specification grade, small-aperture, high power LED recessed downlight.*

*Ideal for both commercial and residential relighting or new installations.*



LED MiniCan™ 2" Recessed Downlight



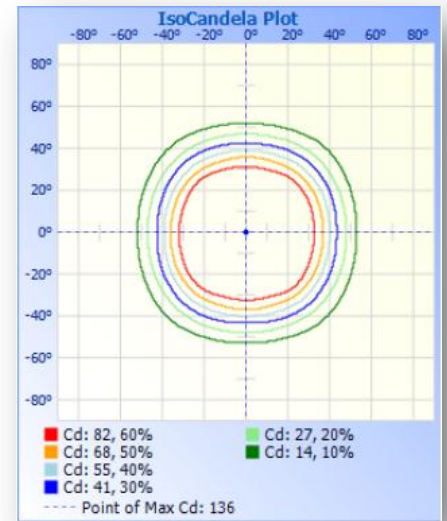
## Light Characteristics

### Average Luminance Table (cd/m<sup>2</sup>)

		Horizontal Angle (Degrees)		
		0	45	90
Vertical Angle (degree)	0	61850	61850	61850
	45	27930	27930	27930
	55	10640	10640	10640
	65	6277	6277	6277
	75	3194	3194	3194
	85	1611	1611	1611

Figures based on photometric testing and evaluation to IES LM-79-08.

LM-79 and LM-80 testing reports available upon request.



## Power Supplies & Optional Equipment *Order Separately, More Options Available*

The MiniCan requires a regulated, Class 2, 12V DC constant voltage power supply



**20w Power Supply**  
Power Factor Corrected

**PLN-20-12**

Up to 6 MiniCans™



**35w Power Supply**

**LPV-35-12**

Up to 10 MiniCans™



**60w Power Supply**

**LPV-60-12**

Up to 17 MiniCans™



**SpectraDrive™**  
**3-Channel Controller**  
**SD-232**

Dim & Scene Control with RS232



**LumiDrive™**  
**1-Channel Controller**  
**LD-003**

Wall Dimmer (single gang)

## Ordering Information



PRODUCT FAMILY

**MCN-LC11**

COLOR TEMPERATURE (CCT)

**2700** = 2700K  
**3500** = 3500K

TRIM

**AL**

**AL** = Brushed Aluminum

**Example Product #**

**MCN – LC11 – 3500 – AL**  
*MiniCan™ 3500K with brushed aluminum trim*