



Shield Fall Protection

Be Safe, Shield Yourself

RP101 Rescue Figure 8 Stainless Steel

Data Sheet



www.shieldfallprotection.com

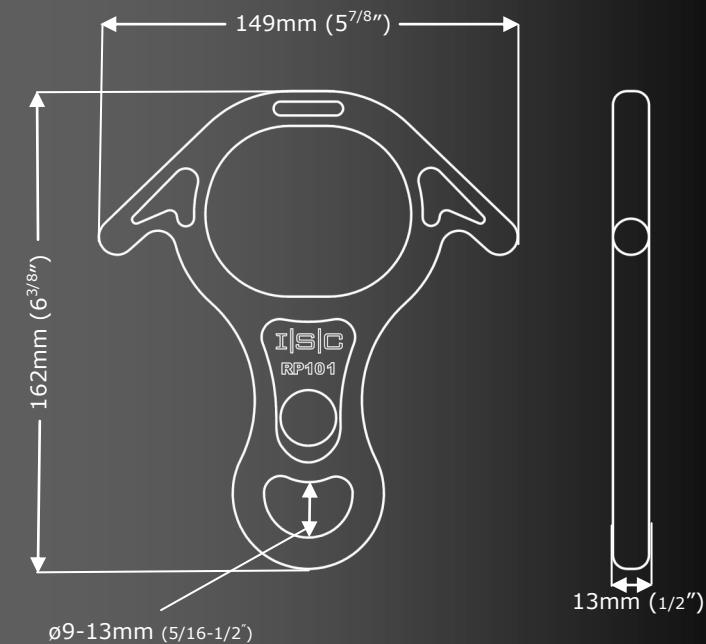
climb. work. rescue.

I|S|C

SOLUTIONS IN METAL

ISC Manufactures an extensive range of Ascenders and Descenders for use on a wide variety of ropes.

The Rescue Figure 8 devices have extended side bars to keep the rope in place, preventing the rope from creeping inwards and causing unwanted locking.



| | |
|----------------------|--------------------------|
| Weight | 600g (21oz) |
| Body Material | Stainless Steel |
| Finish | Polished |
| Rope Size | Max 9- 13mm (5/16-1/2") |
| MBS | 80kN (17985lbf) |



Shield Fall Protection

Be Safe, Shield Yourself

RP130 Figure 9

Data Sheet



www.shieldfallprotection.com

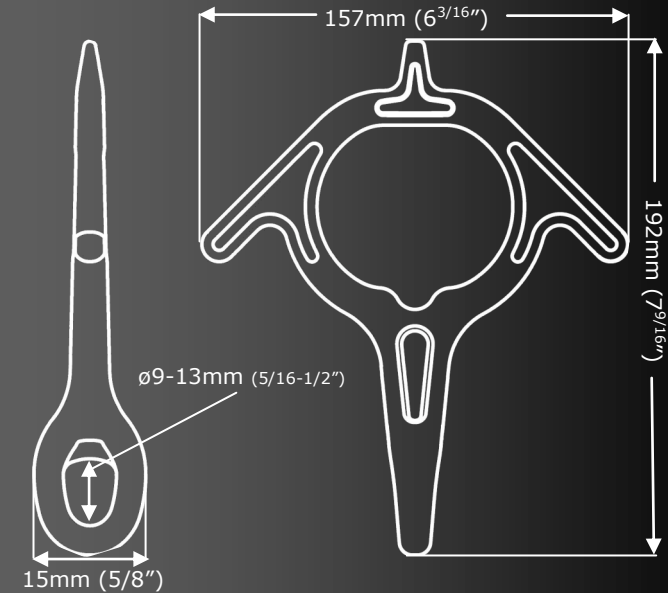
climb. work. rescue.

I|S|C

SOLUTIONS IN METAL

The Figure 9 device performs in a similar way to the Rescue 8, but has the extra benefit of an anti-twist attachment point. The attachment hole has been twisted through 90 degrees this eliminating the unwanted twisting between the device and harness connection.

The Figure 9 also has a top spike to help prevent line cross-over (when using a two rope system).



| | |
|----------------------|-------------------------|
| Weight | 200g (7oz) |
| Body Material | Aluminium |
| Finish | Anodised |
| Rope Size | Max 9- 13mm (5/16-1/2") |
| MBS | 30kN (6744lbf) |