

# CLIP

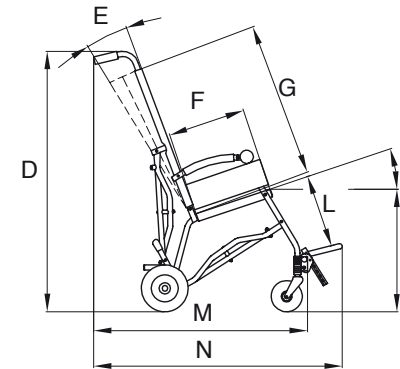
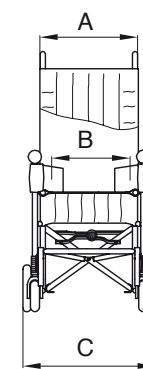
INGLESE Cod. 22428/A 13-10-14



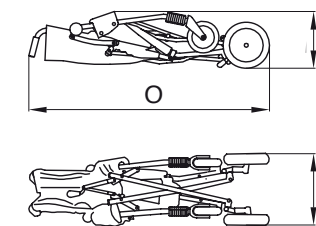
 design and quality  
**MADE IN ITALY since 1980**

# ORMESSA

measures in centimeters, weights in kilos



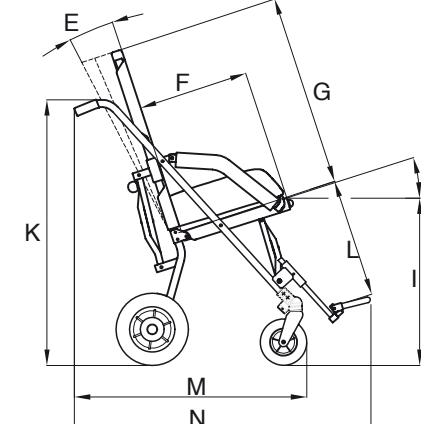
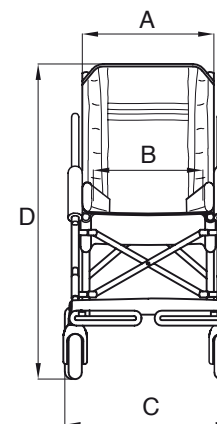
## CLIP 1-2-3



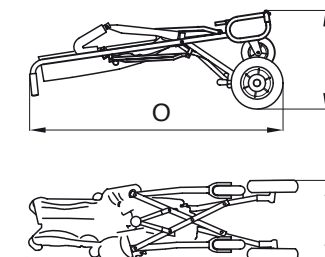
THE NUMBERS DIVIDED BY THE DASH SPECIFY A MINIMUM AND A MAXIMUM ADJUSTMENT

	MAX. USER MASS	A	B	C	D	E	F	G	H	I	K	L	M	N	O	P	Q	WEIGHT OF THE AID
<b>CLIP 1</b>	<b>30 kg</b>	40 cm	30 cm	51 cm	99 cm	0°-12°	25 cm	55 cm	18°	46 cm	--	15-23 cm	73 cm	80 cm	110 cm	30 cm	32 cm	10,8 kg
<b>CLIP 2</b>	<b>35 kg</b>	40 cm	33 cm	51 cm	99 cm	0°-12°	30 cm	59 cm	18°	48 cm	--	21-31 cm	73 cm	90 cm	110 cm	30 cm	32 cm	11 kg
<b>CLIP 3</b>	<b>40 kg</b>	40 cm	36 cm	51 cm	104 cm	0°-12°	35 cm	64 cm	18°	49 cm	--	27-37 cm	79 cm	96 cm	115 cm	32 cm	35 cm	11,2 kg
<b>CLIP 4</b>	<b>76 kg</b>	45 cm	*33 cm	57 cm	112 cm	0°-10°	38 cm	70 cm	18°	59 cm	95 cm	36-48 cm	82 cm	105 cm	115 cm	56 cm	34 cm	12,5 kg

\* Seat width is cm 45 if you remove the lateral paddings



## CLIP 4



Product Certified by the following institute:  
**CERAH** France

Product marked  
**CE**

Product  
**FDA** USA  
registered



Clip 1-2-3 passed the **CRASH TEST** according to the **ISO 7176-19** for the forward-facing transport of the pushchair in a motor vehicle (private vans/cars, buses..)

Authorized Dealer

**ORMESSA** s.r.l.  
Via A. Da Sangallo, 1 - 06034 FOLIGNO (PG) ITALY  
TEL. +39 0742 22927-FAX +39 0742 22637  
info@ormesa.com-www.ormesa.com



COMPANY WITH QUALITY  
MANAGEMENT SYSTEM  
CERTIFIED BY  
**ISO 9001**



# Functions

Pre-Engineered for **headrest**

Pre-Engineered for **vest harness**

Pre-Engineered for **side trunk supports**

**Semirigid seat** with inner aluminium supports

8" (20 cm) **solid wheels** with brakes



**3 Seatback positions** available through the ingenious use of zippers (pict. 1). Seatback and seat have aluminium bars for rigidity contouring

**Breathable upholstery**

**Frame lock**

**Legrest strap**

6" (15 cm) **castor wheels**

**Footrest: detachable and height adjustable**



**Net basket** on the back of the backrest (pict.1)

CLIP 1-2-3

The CLIP is **light weighted** and can be **easily folded**

The CLIP has an **inclined seat** to assure the **maximum comfort** to the child.

CLIP 4



**Folding aluminium frame**



# Accessories



▶ **812**  
Directional locks



▶ **827**  
Foot straps



▶ **817**  
Leg straps for abduction



▶ **828**  
Seat belt



▶ **894**  
Pelvic belt



▶ **819**  
Canopy



▶ **818**  
Thermal cover



▶ **825**  
Rain cover  
to be fixed to the **819** canopy



▶ **816**  
Side supports for the trunk



▶ **835**  
adjustable Headrest



▶ **853**  
Vest harness



▶ **906**  
Five point harness



▶ **903**  
Five point vest harness

**WARNING:**

- fits the ISO 10542 compliant 4-POINT STRAP-TYPE TIEDOWN, provided by the vehicle
- it is required for the child to wear both pelvic- and shoulder-belt-type restraints, to be compliant either with ISO 7176-19 or ISO 10542
- postural belts and harnesses such as our 828, 853, 894, 903, 906 are not approved for the use as an occupant restraint system
- the vehicle must be suitable for transporting orthopedic pushchairs in compliance with current law
- read the warnings and instructions given in the user's & maintenance book



▶ **891 SET OF 4 TIE DOWN HOOKS** (only **SIZES 1-2-3**) for the forward-facing transport of the pushchair in a motor vehicle (private vans/cars, buses..)

