

MANUFACTURERS INC.

New Wood



NOBLE

Mouldings And Turnings

WHOLESALE OF QUALITY WOOD PRODUCTS





Table of Contents

Materials		4
Selecting a Part-ID		5
Product Overview		6 - 15
A-Series	Interior Accessories	16 - 22
B-Series	Baseboards	23
C-Series	Crown Mouldings	24 - 25
D-Series	Specialty Profiles	26
F-Series	Flooring Accessories	27
T-Series	Trim & Door Casing	28
W-Series	Chair Rails	29
K-Series	Cabinet Mouldings	30 - 31
U-Series	Cabinet Doors	33 - 35
N-Series	Nexgen Products	37
V-Series	Wood Turnings	38 - 46
E-Series	Stair Treads	47
S-Series	Staircase Accessories	48 - 52
H-Series	Handrail & Shoerail	53 - 56
J-Series	Handrail Fittings	57 - 59
P-Series	Newel Posts	61 - 100
Q-Series	Wood Balusters	101 - 114
Order Forms		115 - 116

Our Materials

We take pride in the quality of our materials. It is the foundation from which our entire product line is based upon. We offer the following solid wood, composite wood and Laminates as standard options:

Solid and Composite Wood

FJP



Finger-Jointed Pine

Oak



Red Oak

Birch



Yellow Birch

Maple



Hard Maple

MDF



Medium Density
Fibreboard

Primed MDF



MDF coated with high-hide
Latex primer

White Back MDF



MDF with white melamine
covering on one side

Nexgen™ High-Performance Laminates

Aria



Diva



Mocha



See page 37 for our new line of Nexgen products.

Selecting A Part-ID

Every item we offer has a **Part-ID** associated with it. Most products are also offered in a variety of **materials**. Tables are provided on each page to Identify Part-ID and material options, as well as additional product information.

Ex:



F-6



F-7



F-8

Part-ID's Correspond to a profile or product type.

Additional information such as dimensions, product names and styles are included to help with Part-ID selection.

Part-ID	Part Name	Height	Width	Oak		Birch		Maple	
				Av	Stk	Av	Stk	Av	Stk
F-6	3/4" Hardwood Reducer	3/4"	2 1/4"	✓	✓	✓	✓	✓	
F-7	1/2" Laminate Reducer	3/4"	1 3/8"	✓	✓	✓	✓	✓	✓
F-8	1/2" Laminate T-Mould	3/4"	1 1/2"	✓	✓	✓	✓	✓	

Av = **Available**. Represents that an item is offered in the specified material when checked.

Stk = **Stocked**. Represents that an item is kept as inventory in the specified material when checked.

In the above example, the Part-ID **F-6** is a 3/4" Hardwood Reducer. It is available in Oak, Birch and Maple. Oak and Birch are kept in stock, however, Maple is not.

When Placing an Order

You always need to specify:

- Part-ID
- Material (except cabinet doors & hardware)
- Quantity

You may also need to specify:

- Lengths (for mouldings and products sold by the foot)
- Door / Drawer Sizes (for cabinet doors and drawer fronts)
- Rail Connections (for newel posts)

See the back of this catalogue for a template of our **Standard Order Form** that you can copy and reuse.

When a material corresponding to a Part-ID is not checked as a stocked item (*Stk*), that means the item will be made once the order is placed. A longer delivery time is typically needed for non-stock items, which varies depending on the type of product. A turn-around time of 2-4 weeks should be anticipated for non-stock items, however, you can request a delivery date when placing your order. Please note that some non-stock items may have minimum quantity restrictions.

Interior Accessories

A-Series



Baseblocks

Page 16 - 17



Rosettes

Page 18



Crown Connectors

Page 18-19



Headers

Page 20

Window Stool

Page 21



Door Stops

Page 21



Cover Mouldings

Page 21



Door Jambs & Furring

Page 22

Mouldings and Profiles



B-Series

Baseboard

Page 23



C-Series

Crown

Page 24-25



D-Series

Specialty profiles

Page 26



F-Series

*Nosing &
Transitions*

Page 27



T-Series

Trim & Casing

Page 28



W-Series

Chair rail

Page 29



K-Series

*Cabinet
Mouldings*

Page 30-31



MDF Doors & Drawer Fronts



U-Series

MDF Doors & Drawer Fronts

Page 33-35



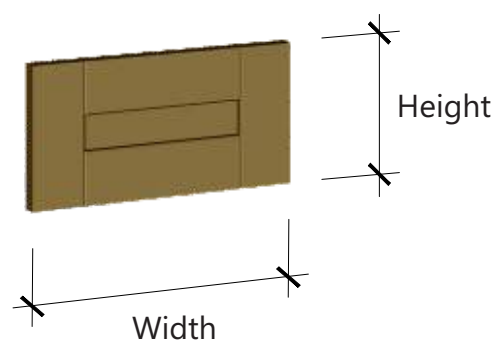
Our MDF doors and drawer fronts are made from high-quality medium density fibreboard. They feature a white melamine finish on their backside, eliminating the need for 2 sided finishing. Every door and drawer front is CNC milled and can be ordered in 1/8" increments.

Ordering Doors & Drawer Fronts

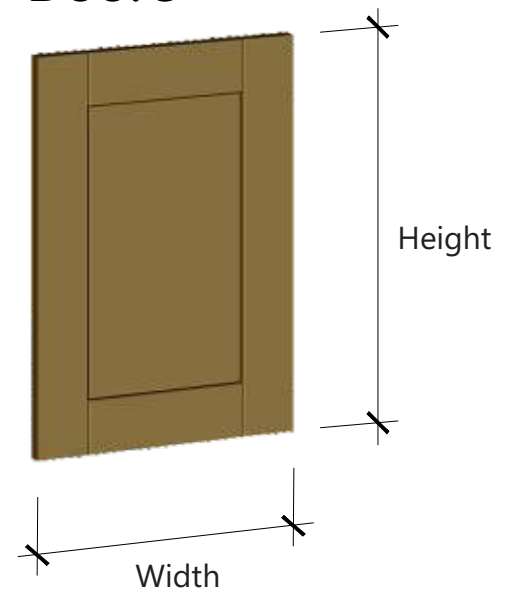
Whether it's MDF or one of our Nexgen doors and drawer fronts, ordering is a breeze. First, find the Part-ID that corresponds to the Door type, style or color you want. Then fill out one of our **Door Order Forms** with the Heights and Widths you need. That's it!

See the back of this catalogue for a template of our **Door Order Form** that you can copy and reuse.

Drawer Fronts



Doors



N-Series

Nexgen™ Products



Doors & Drawer Fronts

Page 37



Mouldings

Page 37



Laminate Colors

Aria

Diva

Mocha



Our line of Nexgen™ products feature high-performance laminate coverings that exceed other laminate types in a number of ways.

- **Convincing Wrapped Profiles** - Even experienced cabinet makers may have trouble telling Nexgen laminates apart from natural wood grain.
- **Physical Durability** - It is surprisingly difficult to scratch Nexgen laminates, even if you intentionally set out to do so.
- **Fade-Free UV Performance** - Nexgen laminates will never fade or discolor.
- **Compatibility** - Nexgen laminates are a perfect match with most Thermally Fused Melamine (TFM) panels sold across North America.
- **Microbial Protection** - Infused with anti-microbial protection, Nexgen laminates are designed to reduce disease transmission in homes, hospitals, schools, or anywhere else.

Wood Turnings



V-Series



Sheridan
Page 38-39



King
Page 40-41



Regency
Page 42-43



Triumph
Page 44



Chippendale
Page 45

Staircase Accessories



Scotia & J-Cap
Page 48



Cover Moulding
Page 48



Post Trim
Page 48



Hardware
Page 50



Stair Treads
Page 47



Handrail Mounts
Page 49



Stringer Scrolls
Page 49



Square Post Caps
Page 51



Turned Post Caps
Page 52



H-Series Handrails

H-Series Shoerail can be found on Page 53

H-Series



H-500
Page 54



H-550
Page 54



H-600
Page 54



H-650
Page 55



H-700
Page 55



H-750
Page 55



H-800
Page 56



H-900
Page 56



H-950
Page 56



J-Series

Handrail Fittings



Easings & ¼ Turns

Page 57



S-Turns

Page 58



Goosenecks

Page 59



Newel Posts



P-Series



Turned Newels
Page 61-70



Modern Newels
Page 71-72



Noble Newels
Page 73-77



CNC Newels
Page 78-90



Premium Newels
Page 91-100

Wood Balusters



Q-Series



Cabot

Page 102-103



Barrel

Page 107



Cabaret

Page 109



Noble

Page 113
-114



Heritage

Page 101



King

Page 105-106



Regency

Page 108-109



Candlestick

Page 112

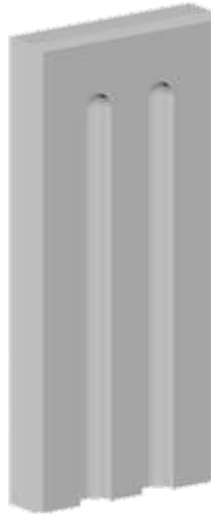
A-SERIES INTERIOR ACCESSORIES

Primed MDF Baseblocks



Plain

A-111 Shown



Plain Fluted

A-121 Shown



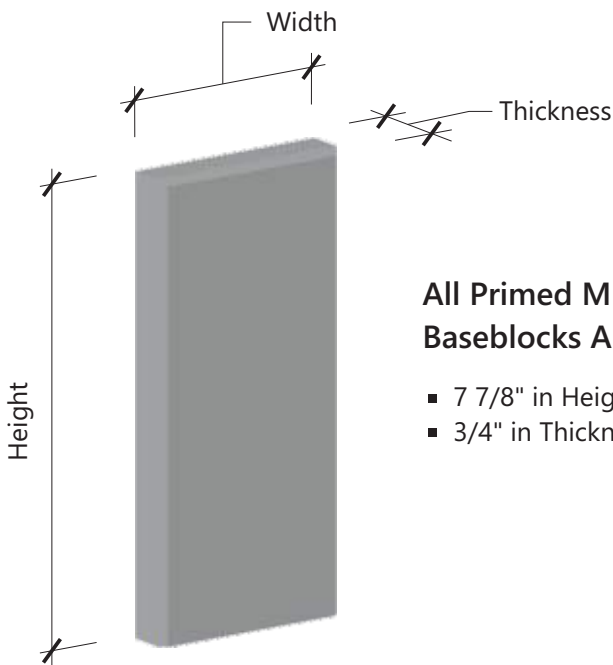
Profiled

A-131 Shown



Profiled Fluted

A-141 Shown



All Primed MDF Baseblocks Are:

- 7 7/8" in Height
- 3/4" in Thickness

Primed MDF				
Part-ID	Style	Width	Av	Stk
A-110	Plain	3"	✓	✓
A-111	Plain	3 5/8"	✓	✓
A-112	Plain	4 1/8"	✓	✓
A-120	Plain Fluted	3"	✓	✓
A-121	Plain Fluted	3 5/8"	✓	✓
A-122	Plain Fluted	4 1/8"	✓	✓
A-130	Profiled	3"	✓	✓
A-131	Profiled	3 5/8"	✓	✓
A-132	Profiled	4 1/8"	✓	✓
A-140	Profiled Fluted	3"	✓	✓
A-141	Profiled Fluted	3 5/8"	✓	✓
A-142	Profiled Fluted	4 1/8"	✓	✓

Note: All dimensions are nominal.

A-SERIES INTERIOR ACCESSORIES

Premium Baseblocks



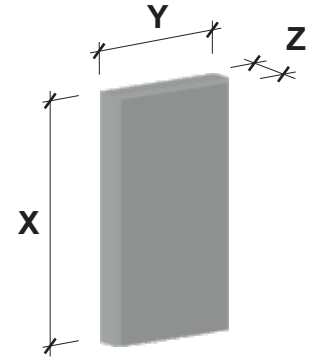
A-150



A-151



A-152



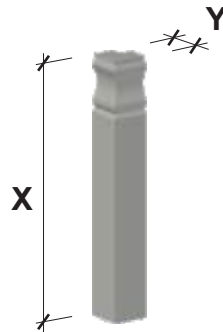
Base Connectors



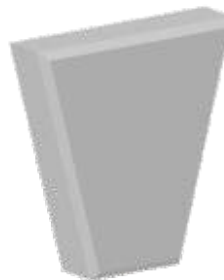
A-160
Inside Corner



A-161
Outside Corner



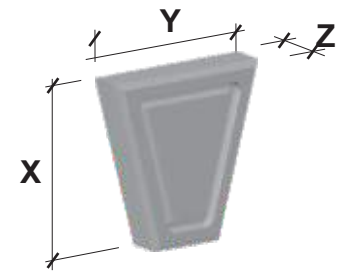
Key Blocks



A-170



A-171



Part-ID	X	Y	Z	FJP		Primed MDF		Oak		Birch		Maple	
				Av	Stk	Av	Stk	Av	Stk	Av	Stk	Av	Stk
A-150	6 1/2"	4 1/2"	3/8"	✓				✓		✓		✓	
A-151	5 3/8"	4 1/8"	1 1/4"	✓				✓		✓		✓	
A-152	5 3/8"	4 1/8"	3/8"	✓				✓		✓		✓	
A-160	8"	3/4"				✓	✓						
A-161	8"	1 1/4"				✓	✓						
A-170	4 1/2"	4 1/4"	3/4"	✓		✓		✓		✓		✓	
A-171	4 1/2"	4 1/4"	3/4"	✓		✓		✓		✓		✓	

Note: All dimensions are nominal.

A-SERIES INTERIOR ACCESSORIES

Rosettes



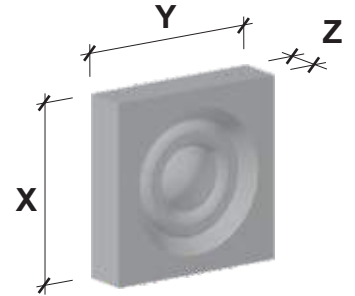
A-180



A-181



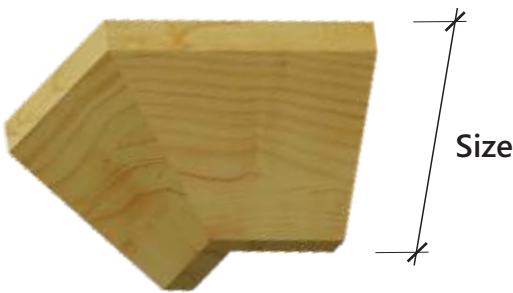
A-182



Part-ID	X	Y	Z	FJP		Primed MDF		Oak		Birch		Maple	
				Av	Stk	Av	Stk	Av	Stk	Av	Stk	Av	Stk
A-180	3"	3"	3/4"	✓	✓	✓	✓	✓		✓		✓	
A-181	3 5/8"	3 5/8"	3/4"	✓	✓	✓	✓	✓	✓	✓	✓	✓	✓
A-182	4 1/8"	4 1/8"	3/4"	✓		✓	✓	✓		✓		✓	

Note: All dimensions are nominal.

Universal Crown Connectors



Universal Crown Connectors are reversible and work for inside and outside corners eliminating the need for mitres.

Part-ID	Size	Compatible With	FJP		Oak		Birch		Maple	
			Av	Stk	Av	Stk	Av	Stk	Av	Stk
A-200	2 1/2"	C-4	✓	✓	✓	✓	✓	✓	✓	✓
A-201	3 1/2"	C-2, C-3, C-14, C-16	✓	✓	✓	✓	✓	✓	✓	✓
A-202	4 1/2"	C-1, C-7, C-12, C-15	✓	✓	✓	✓	✓	✓	✓	✓
A-203	5 1/2"	C-6, C-8, C-9	✓	✓	✓	✓	✓	✓	✓	✓

Note: All dimensions are nominal.

A-SERIES INTERIOR ACCESSORIES

Small Teardrop Crown Connector

Large Teardrop Crown Connector



A-210
Inside 90° corner



A-211
Outside 90° corner



A-220
Inside 90° corner



A-221
Outside 90° corner



A-212
Inside 45° corner



A-213
Outside 45° corner



A-222
Inside 45° corner



A-223
Outside 45° corner



A-214
Straight run



A-224
Straight run

Part-ID	Compatible With	FJP		Oak		Birch		Maple	
		Av	Stk	Av	Stk	Av	Stk	Av	Stk
A-210	C-2, C-3 C-4, C-13 C-14, C-16	✓	✓	✓		✓		✓	
A-211		✓	✓	✓		✓		✓	
A-212		✓		✓		✓		✓	
A-213		✓		✓		✓		✓	
A-214		✓	✓	✓		✓		✓	
A-220	C-1, C-6, C-7 C-12, C-15	✓	✓	✓		✓		✓	
A-221		✓	✓	✓		✓		✓	
A-222		✓		✓		✓		✓	
A-223		✓		✓		✓		✓	
A-224		✓	✓	✓		✓		✓	

A-SERIES INTERIOR ACCESSORIES

One-Piece Headers

Part-ID	Door Size	Header Size	FJP		Oak		Birch		Maple	
			Av	Stk	Av	Stk	Av	Stk	Av	Stk
A-300	Available in 14' Lengths Only		✓	✓	✓		✓		✓	
A-303	1'-6"	25 3/8"	✓		✓		✓		✓	
A-304	2'-0"	31 3/8"	✓		✓		✓		✓	
A-305	2'-6"	37 3/8"	✓	✓	✓		✓		✓	
A-306	2'-8"	39 3/8"	✓	✓	✓		✓		✓	
A-307	3'-0"	43 3/8"	✓		✓		✓		✓	



A-300

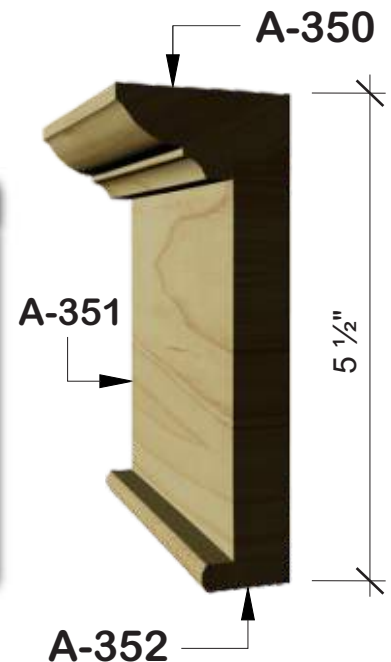
Note: Specified lengths refer to FJP only. All other Materials are sold by the foot.
All dimensions are nominal.

Headers are available pre-assembled to suit different door widths or header material can be purchased in Lengths. Standard sizes are compatible with T-1, T-2, T-4, T-7, T-8, and T-9 Trim

Contact us and we will make any size header you need!

Three-Piece Headers

Part-ID	Door Size	Header Size	FJP		Oak		Birch		Maple	
			Av	Stk	Av	Stk	Av	Stk	Av	Stk
A-350	Available in 14' Lengths Only		✓	✓	✓		✓		✓	
A-351	Available in 14' Lengths Only		✓	✓	✓		✓		✓	
A-352	Available in 14' Lengths Only		✓	✓	✓		✓		✓	
A-353	1'-6"	25 3/8"	✓		✓		✓		✓	
A-354	2'-0"	31 3/8"	✓		✓		✓		✓	
A-355	2'-6"	37 3/8"	✓	✓	✓		✓		✓	
A-356	2'-8"	39 3/8"	✓	✓	✓		✓		✓	
A-357	3'-0"	43 3/8"	✓		✓		✓		✓	



Note: Specified lengths refer to FJP only. All other Materials are sold by the foot.
All dimensions are nominal.

A-SERIES INTERIOR ACCESSORIES

Window Stool

Available in 14 Ft Lengths Only



A-410



A-411



A-412

Window Apron



A-420



A-421

Door Stops

Available in 7 Ft Lengths or
Sets of 3 (2 @ 7' and 1 @ 3')

Cover Mouldings

Available in 8 Ft Lengths Only



A-430

¼ Round



A-431

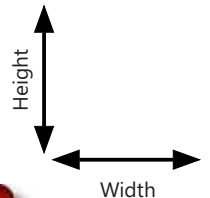


A-432



A-433

Outside Corner

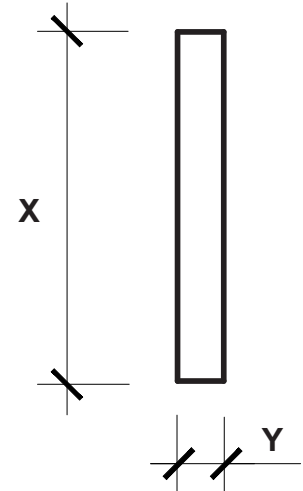
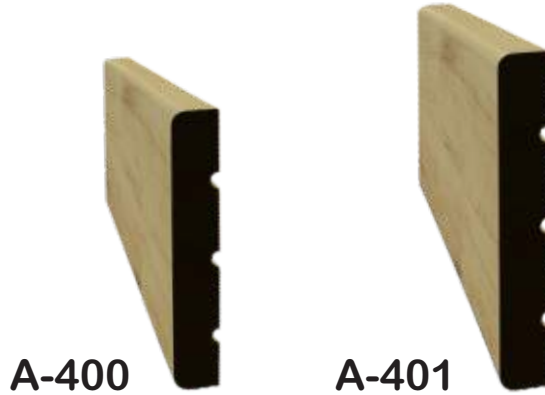


Part-ID	Height	Width	FJP		Oak		Birch		Maple	
			Av	Stk	Av	Stk	Av	Stk	Av	Stk
A-410	1"	5 3/8"	✓	✓	✓		✓		✓	
A-411	1"	1 1/2"	✓	✓	✓		✓		✓	
A-412	1/2"	2 1/2"	✓	✓	✓		✓		✓	
A-420	1"	3/8"	✓	✓	✓		✓		✓	
A-421	1 1/8"	3/8"	✓	✓	✓		✓		✓	
A-430	5/8"	5/8"	✓	✓	✓		✓		✓	
A-431	5/8"	1/4"	✓	✓	✓		✓		✓	
A-432	1 1/8"	3/8"	✓	✓	✓		✓		✓	
A-433	1"	1"	✓	✓	✓		✓		✓	

Note: Height & Width refers to images as they are displayed on the page.
Specified lengths refer to FJP only. All other Materials are sold by the foot.
All dimensions are nominal.

A-SERIES INTERIOR ACCESSORIES

Door Jambs



Furring

Our Selection of Dimensioned Material is ideal for door and window furring... and so much more. You will find 101 uses for this conveniently sized material.

All furring comes dressed 4 sides.

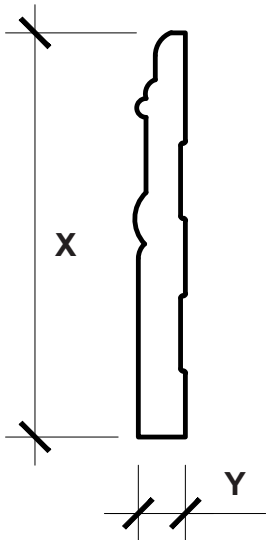
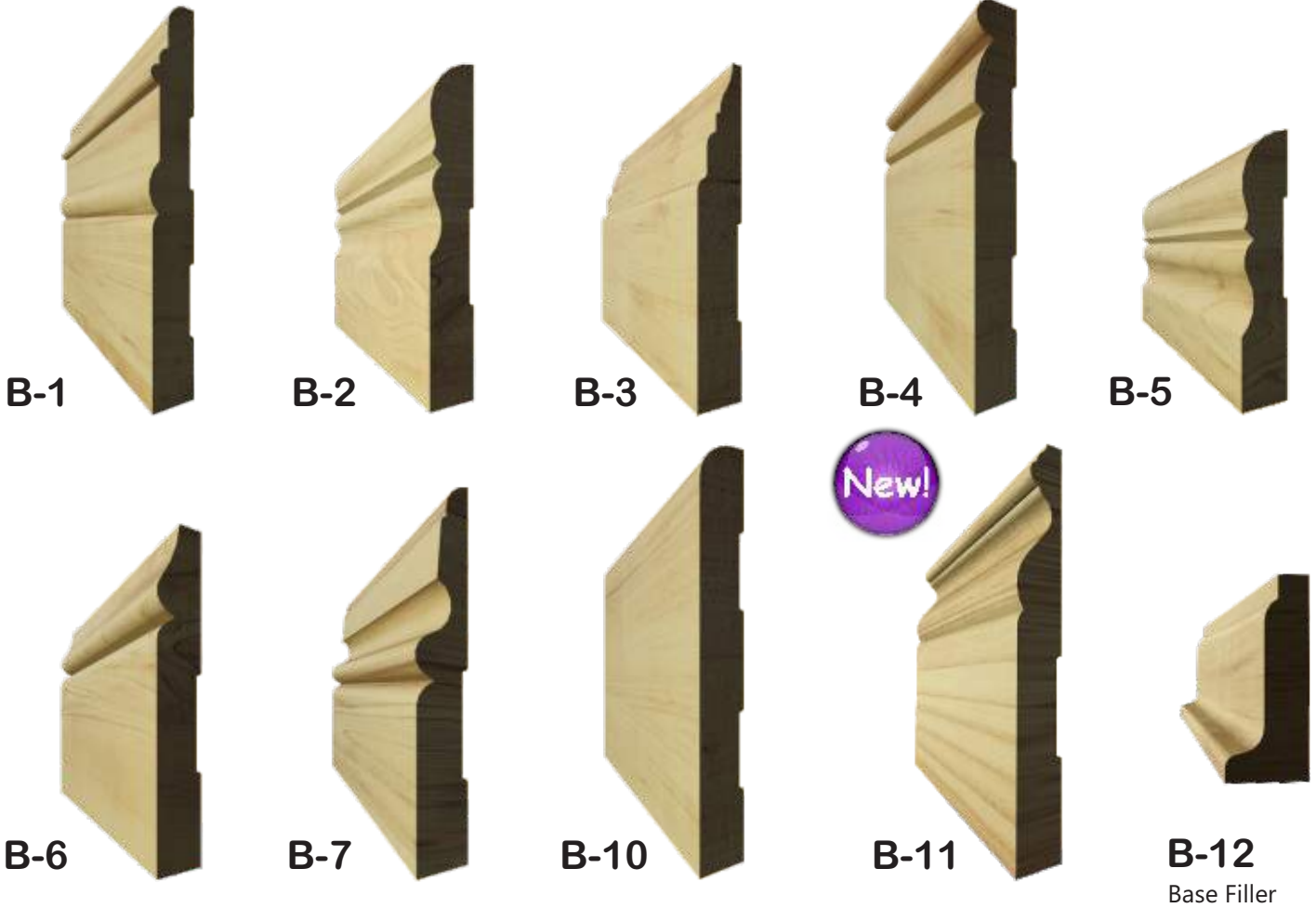


Part-ID	X	Y	Available Lengths	FJP		Oak		Birch		Maple	
				Av	Stk	Av	Stk	Av	Stk	Av	Stk
A-400	4 5/8"	3/4"	7 Ft	✓	✓	✓		✓		✓	
A-401	6 3/8"	3/4"	7 Ft	✓	✓	✓		✓		✓	
A-500	1 1/4"	3/4"	Sold Per Foot	✓		✓		✓		✓	
A-501	1 3/4"	3/4"	Sold Per Foot	✓		✓		✓		✓	
A-502	2 1/2"	3/4"	14 Ft	✓	✓	✓		✓		✓	
A-503	3 1/2"	3/4"	14 Ft	✓	✓	✓		✓		✓	
A-504	4 1/2"	3/4"	14 Ft	✓	✓	✓		✓		✓	
A-505	5 1/2"	3/4"	14 Ft	✓	✓	✓		✓		✓	
A-506	7 1/4"	3/4"	14 Ft	✓	✓	✓		✓		✓	
A-507	9 1/4"	3/4"	8 Ft, 10 Ft	✓	✓	✓		✓		✓	
A-508	11 1/4"	3/4"	8 Ft, 10 Ft	✓	✓	✓		✓		✓	

Note: Specified lengths refer to FJP only. All other Materials are sold by the foot.
All dimensions are nominal.

B-SERIES BASEBOARD MOULDING

All B-Series Mouldings Are Available in 8 Ft and 14 Ft Lengths in FJP and Primed MDF.
All Other Materials Are Sold By The Foot.



Part-ID	X	Y	FJP		Primed MDF		Oak		Birch		Maple	
			Av	Stk	Av	Stk	Av	Stk	Av	Stk	Av	Stk
B-1	5 3/8"	9/16"	✓	✓	✓	✓	✓		✓		✓	
B-2	4 3/8"	9/16"	✓	✓	✓	✓	✓		✓		✓	
B-3	4 3/8"	9/16"	✓	✓			✓		✓		✓	
B-4	5 3/8"	9/16"	✓	✓			✓		✓		✓	
B-5	3 3/8"	9/16"	✓	✓			✓		✓		✓	
B-6	4 3/8"	9/16"	✓	✓			✓		✓		✓	
B-7	4 3/8"	9/16"	✓	✓			✓		✓		✓	
B-10	5 3/8"	9/16"	✓	✓			✓		✓		✓	
B-11	5 3/8"	9/16"	✓				✓		✓		✓	
B-12	1 1/8"	1/2"	✓				✓		✓		✓	

Note: All dimensions are nominal.

C-SERIES CROWN MOULDINGS

All C-Series Mouldings Are Available in 8 Ft and 14 Ft Lengths in FJP and Primed MDF.
All Other Materials Are Sold By The Foot.



C-1



C-2



C-3



C-4



C-5



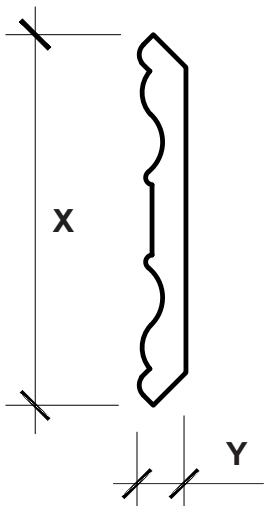
C-6



C-7



C-8



Part-ID	X	Y	FJP		Primed MDF		Oak		Birch		Maple	
			Av	Stk	Av	Stk	Av	Stk	Av	Stk	Av	Stk
C-1	4 3/8"	5/8"	✓	✓	✓	✓	✓		✓		✓	
C-2	3 3/8"	5/8"	✓	✓			✓		✓		✓	
C-3	3 3/8"	5/8"	✓	✓			✓		✓		✓	
C-4	2 3/8"	5/8"	✓	✓			✓		✓		✓	
C-5	2 7/8"	5/8"	✓	✓			✓		✓		✓	
C-6	2 3/8"	5/8"	✓	✓			✓		✓		✓	
C-7	4 3/8"	5/8"	✓	✓			✓		✓		✓	
C-8	5 3/8"	5/8"	✓	✓			✓		✓		✓	

Note: All dimensions are nominal.

C-SERIES CROWN MOULDINGS

All C-Series Mouldings Are Available in 8 Ft and 14 Ft Lengths in FJP and Primed MDF.
All Other Materials Are Sold By The Foot.



C-9



C-10



C-11



C-12



C-13



C-14



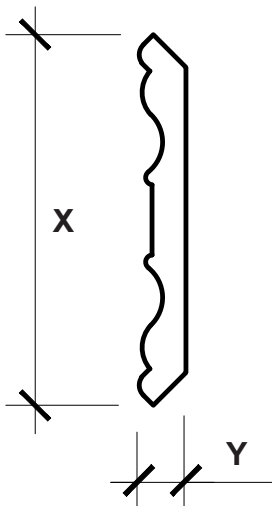
C-15



C-16



C-17



Part-ID	X	Y	FJP		Primed MDF		Oak		Birch		Maple	
			Av	Stk	Av	Stk	Av	Stk	Av	Stk	Av	Stk
C-9	5 3/8"	5/8"	✓	✓			✓		✓		✓	
C-10	1 3/4"	5/8"	✓	✓			✓		✓		✓	
C-11	5"	5/8"	✓	✓			✓		✓		✓	
C-12	4 3/8"	5/8"	✓	✓			✓		✓		✓	
C-13	3 3/8"	5/8"	✓				✓		✓		✓	
C-14	3 3/8"	5/8"	✓				✓		✓		✓	
C-15	4 3/8"	5/8"	✓				✓		✓		✓	
C-16	3 3/8"	5/8"	✓				✓		✓		✓	
C-17	3 1/4"	3/4"	✓				✓		✓		✓	

Note: All dimensions are nominal.

D-SERIES SPECIALTY PROFILES

All D-Series Mouldings Are Sold By The Foot



D-1
Bar Rail



D-2



D-3



D-4



D-5



D-6



D-7



D-8

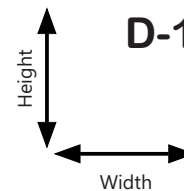


D-9



D-10

Part-ID	Height	Width	Oak		Birch		Maple	
			Av	Stk	Av	Stk	Av	Stk
D-1	1 1/8"	4 3/8"	✓		✓		✓	
D-2	1 1/8"	1 1/2"	✓		✓		✓	
D-3	1 7/8"	1 1/2"	✓		✓		✓	
D-4	3/4"	1 1/8"	✓		✓		✓	
D-5	4 1/4"	1 3/4"	✓		✓		✓	
D-6	1 1/8"	7/8"	✓		✓		✓	
D-7	1 1/8"	5/8"	✓		✓		✓	
D-8	3/4"	2 1/4"	✓		✓		✓	
D-9	3/4"	2"	✓		✓		✓	
D-10	3/4"	2"	✓		✓		✓	



Note: Height & Width refers to images as they are displayed on the page.
All dimensions are nominal.

F-SERIES FLOORING ACCESSORIES

All F-Series Products Are Sold By The Foot

Nosings



F-1



F-2



F-3

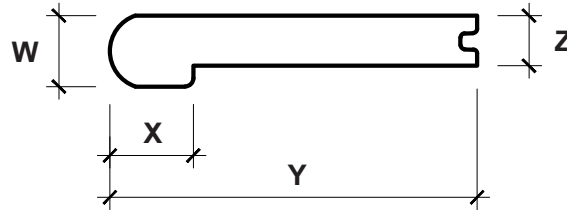


F-4

1/2" x 3/4" Rabbet



F-5



Part-ID	Part Name	W	X	Y	Z	Oak		Birch		Maple	
						Av	Stk	Av	Stk	Av	Stk
F-1	4 1/4" Nosing	1 1/16"	1 1/4"	4 1/4"	3/4"	✓	✓	✓	✓	✓	✓
F-2	4 1/4" Laminate Nosing	1 1/16"	1 1/4"	4 1/4"	3/4"	✓	✓	✓	✓	✓	✓
F-3	5 1/2" Nosing	1 1/16"	1 1/4"	5 1/2"	3/4"	✓	✓	✓	✓	✓	✓
F-4	5 1/2" Laminate Nosing	1 1/16"	1 1/4"	5 1/2"	3/4"	✓	✓	✓	✓	✓	✓
F-5	8" Nosing	1 1/16"	1 1/4"	8"	3/4"	✓		✓		✓	

Note: All dimensions are nominal.

Transitions



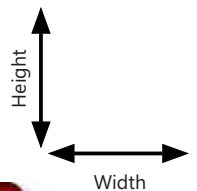
F-6



F-7



F-8



Part-ID	Part Name	Height	Width	Oak		Birch		Maple	
				Av	Stk	Av	Stk	Av	Stk
F-6	3/4" Hardwood Reducer	3/4"	2 1/4"	✓	✓	✓	✓	✓	
F-7	1/2" Laminate Reducer	3/4"	1 3/8"	✓	✓	✓	✓	✓	
F-8	1/2" Laminate T-Mould	3/4"	1 1/2"	✓	✓	✓	✓	✓	

Note: Height & Width refers to images as they are displayed on the page.
All dimensions are nominal.

T-SERIES TRIM & DOOR CASING

All T-Series Mouldings Are Available in 7 Ft and 14 Ft Lengths in FJP and Primed MDF.
All Other Materials Are Sold By The Foot.



T-1



T-2



T-3



T-4



T-5



T-6



T-7



T-8



T-9



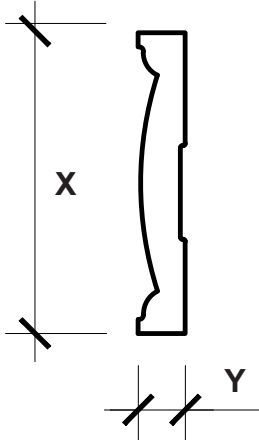
T-10



T-11



T-12



Part-ID	X	Y	FJP		Primed MDF		Oak		Birch		Maple	
			Av	Stk	Av	Stk	Av	Stk	Av	Stk	Av	Stk
T-1	3 3/8"	5/8"	✓	✓	✓	✓	✓		✓		✓	
T-2	3 3/8"	5/8"	✓	✓			✓		✓		✓	
T-3	2 1/2"	5/8"	✓	✓			✓		✓		✓	
T-4	3 3/8"	5/8"	✓	✓			✓		✓		✓	
T-5	4"	5/8"	✓	✓			✓		✓		✓	
T-6	4"	5/8"	✓	✓			✓		✓		✓	
T-7	3 1/4"	5/8"	✓	✓			✓		✓		✓	
T-8	3 3/8"	5/8"	✓	✓			✓		✓		✓	
T-9	3 7/8"	5/8"	✓	✓			✓		✓		✓	
T-10	4"	5/8"	✓	✓			✓		✓		✓	
T-11	3 3/8"	5/8"	✓				✓		✓		✓	
T-12	3 7/8"	5/8"	✓				✓		✓		✓	

Note: All dimensions are nominal.

W-SERIES CHAIR RAILS

All W-Series Mouldings Are Available in 8 Ft and 14 Ft Lengths in FJP.
All Other Materials Are Sold By The Foot.



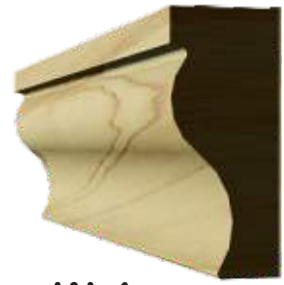
W-1



W-2



W-3



W-4



W-5



W-6



W-7



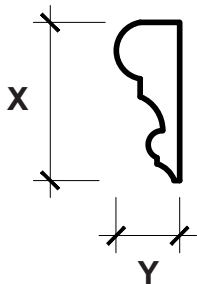
W-8



W-9

FJP Oak Birch Maple

Part-ID	X	Y	FJP		Oak		Birch		Maple	
			Av	Stk	Av	Stk	Av	Stk	Av	Stk
W-1	2 3/8"	5/8"	✓	✓	✓		✓		✓	
W-2	1 3/4"	5/8"	✓	✓	✓		✓		✓	
W-3	1 3/8"	5/8"	✓	✓	✓		✓		✓	
W-4	1 3/8"	5/8"	✓		✓		✓		✓	
W-5	1 1/8"	5/8"	✓	✓	✓		✓		✓	
W-6	1"	5/8"	✓	✓	✓		✓		✓	
W-7	2 1/2"	5/8"	✓		✓		✓		✓	
W-8	1 1/4"	5/8"	✓		✓		✓		✓	
W-9	3 1/4"	5/8"	✓		✓		✓		✓	



Note: All dimensions are nominal.

K-SERIES CABINET MOULDINGS

All K-Series Products Are Sold By The Foot

Light Rail



K-1



K-2

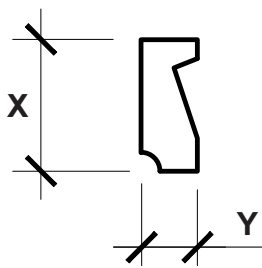


K-3



K-4

New!



Part-ID	X	Y	Oak		Birch		Maple	
			Av	Stk	Av	Stk	Av	Stk
K-1	1 3/4"	3/4"	✓		✓		✓	
K-2	1 3/4"	3/4"	✓		✓		✓	
K-3	2 1/4"	3/4"	✓		✓		✓	
K-4	2 1/4"	3/4"	✓		✓		✓	

Note: All dimensions are nominal.

Plate Rail

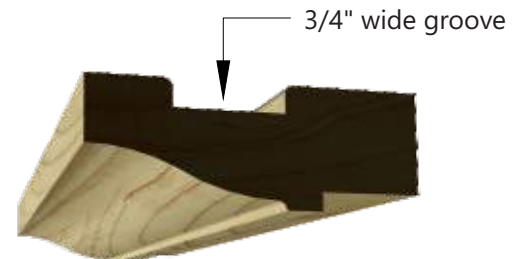


K-6

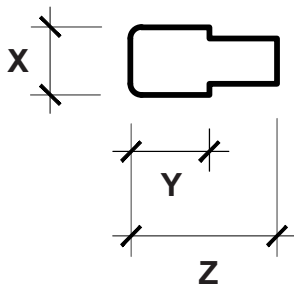
New!



K-7



K-8



Part-ID	X	Y	Z	Oak		Birch		Maple	
				Av	Stk	Av	Stk	Av	Stk
K-6	3/4"	7/8"	1 5/8"	✓		✓		✓	
K-7	3/4"	1 3/8"	2 1/8"	✓		✓		✓	
K-8	7/8"	1 5/8"	2 3/8"	✓		✓		✓	

Note: All dimensions are nominal.

K-SERIES CABINET MOULDINGS

All K-Series Products Are Sold By The Foot

Cabinet Crown



K-9



K-12



K-13



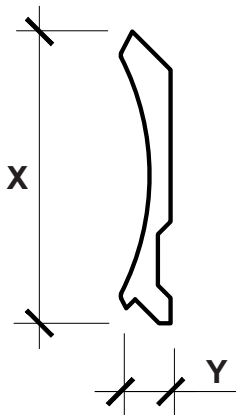
K-14



K-15



K-16



Part-ID	X	Y	Oak		Birch		Maple	
			Av	Stk	Av	Stk	Av	Stk
K-9	5 3/8"	3/4"	✓	✓	✓	✓	✓	
K-12	4 3/8"	3/4"	✓		✓		✓	
K-13	3 3/8"	3/4"	✓	✓	✓	✓	✓	
K-14	3 3/8"	3/4"	✓		✓		✓	
K-15	4 3/8"	3/4"	✓		✓		✓	
K-16	3 3/8"	3/4"	✓		✓		✓	

Note: All dimensions are nominal.



U-SERIES MDF CABINET DOORS

MDF Door Styles

Edge profile refers to the outside perimeter of the door face.



Slab

U-101 Shown



Modern

U-201 Shown



Shaker

U-301 Shown



Beaded Shaker

U-401 Shown

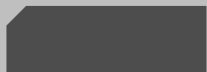
Edge Profiles



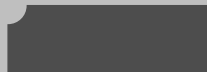
Square



Radius



Chamfer



Cove

MDF Doors		
Part-ID	Door Style	Edge Profile
U-101	Slab	Square
U-102	Slab	Chamfer
U-103	Slab	Radius
U-104	Slab	Cove
U-201	Modern	Square
U-202	Modern	Chamfer
U-203	Modern	Radius
U-204	Modern	Cove
U-301	Shaker	Square
U-302	Shaker	Chamfer
U-303	Shaker	Radius
U-304	Shaker	Cove
U-401	Beaded Shaker	Square
U-402	Beaded Shaker	Chamfer
U-403	Beaded Shaker	Radius
U-404	Beaded Shaker	Cove

Note: MDF Doors are not a stock item.

U-SERIES MDF CABINET DOORS

MDF Door Styles

Edge profile refers to the outside perimeter of the door face.



Recessed Panel

U-501 Shown



Recessed Panel Arch Top

U-601 Shown



Raised Panel


U-701 Shown



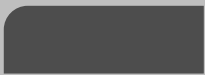
Raised Panel Arch Top

U-801 Shown

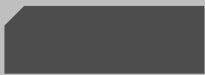
Edge Profiles




Square



Radius



Chamfer



Cove

MDF Doors		
Part-ID	Door Style	Edge Profile
U-501	Recessed Panel	Square
U-502	Recessed Panel	Chamfer
U-503	Recessed Panel	Radius
U-504	Recessed Panel	Cove
U-601	Recessed Panel Arch Top	Square
U-602	Recessed Panel Arch Top	Chamfer
U-603	Recessed Panel Arch Top	Radius
U-604	Recessed Panel Arch Top	Cove
U-701	Raised Panel	Square
U-702	Raised Panel	Chamfer
U-703	Raised Panel	Radius
U-704	Raised Panel	Cove
U-801	Raised Panel Arch Top	Square
U-802	Raised Panel Arch Top	Chamfer
U-803	Raised Panel Arch Top	Radius
U-804	Raised Panel Arch Top	Cove

Note: MDF Doors are not a stock item.

U-SERIES MDF CABINET DRAWER FRONTS

MDF Drawer Front Styles

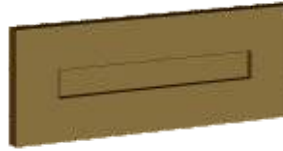
Edge profile refers to the outside perimeter of the drawer front face.



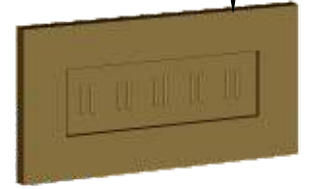
Slab
U-151 Shown



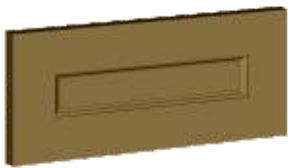
Modern
U-251 Shown



Shaker
U-351 Shown



Beaded Shaker
U-451 Shown



Recessed Panel
U-551 Shown



Raised Panel
U-751 Shown

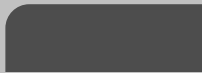
MDF Drawer Fronts

Part-ID	Door Style	Edge Profile	Min Height
U-151	Slab	Square	N/A
U-152	Slab	Chamfer	N/A
U-153	Slab	Radius	N/A
U-154	Slab	Cove	N/A
U-251	Modern	Square	8"
U-252	Modern	Chamfer	8"
U-253	Modern	Radius	8"
U-254	Modern	Cove	8"
U-351	Shaker	Square	6"
U-352	Shaker	Chamfer	6"
U-353	Shaker	Radius	6"
U-354	Shaker	Cove	6"
U-451	Beaded Shaker	Square	8"
U-452	Beaded Shaker	Chamfer	8"
U-453	Beaded Shaker	Radius	8"
U-454	Beaded Shaker	Cove	8"
U-551	Recessed Panel	Square	7 1/4"
U-552	Recessed Panel	Chamfer	7 1/4"
U-553	Recessed Panel	Radius	7 1/4"
U-554	Recessed Panel	Cove	7 1/4"
U-751	Raised Panel	Square	9 1/2"
U-752	Raised Panel	Chamfer	9 1/2"
U-753	Raised Panel	Radius	9 1/2"
U-754	Raised Panel	Cove	9 1/2"

Edge Profiles



Square



Radius



Chamfer



Cove

NOTE: **Min Height** refers to the minimum drawer front height that can be achieved without modifying the profile. Minimum heights can be further reduced by 2-4 inches (depending on style) by trimming the horizontal frame. If you specify heights smaller than the minimums, the difference will be trimmed off the frames.



Above: Nexgen Contempora doors (N-203) and drawer fronts (N-253). Color is Mocha.



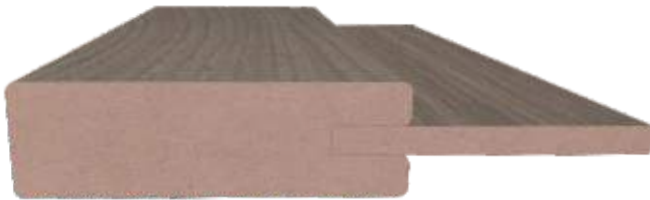
All of our Nexgen 5-Piece doors and drawer fronts feature mitred corners reinforced with mortise and tendon joinery. This ensures tight and durable joins that will last. And because the corners stay tight for the life of the door, there is zero formaldehyde emissions, making Nexgen products a healthy and environmentally friendly choice.

N-SERIES NEXGEN PRODUCTS



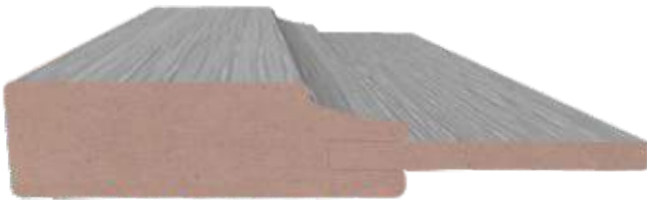
Doors & Drawer Fronts

Shaker



N-103 Shown

Contempora



N-201 Shown

	Part-ID	Type	Color
Shaker	N-101	Door	Aria
	N-102	Door	Diva
	N-103	Door	Mocha
	N-151	Drawer Front	Aria
	N-152	Drawer Front	Diva
	N-153	Drawer Front	Mocha
Contempora	N-201	Door	Aria
	N-202	Door	Diva
	N-203	Door	Mocha
	N-251	Drawer Front	Aria
	N-252	Drawer Front	Diva
	N-253	Drawer Front	Mocha

Note: Minimum height for drawer fronts is 6". Rails cannot be modified.

Aria



Diva



Mocha



Mouldings



Light Rail
N-11 Shown



Flat Crown
N-22 Shown



Cove Crown
N-33 Shown

Part-ID	Height	Width	Profile	Color
N-11	2 3/4"	3/4"	Light Rail	Aria
N-12	2 3/4"	3/4"	Light Rail	Diva
N-13	2 3/4"	3/4"	Light Rail	Mocha
N-21	3"	3/4"	Flat Crown	Aria
N-22	3"	3/4"	Flat Crown	Diva
N-23	3"	3/4"	Flat Crown	Mocha
N-31	3 3/4"	3/4"	Cove Crown	Aria
N-32	3 3/4"	3/4"	Cove Crown	Diva
N-33	3 3/4"	3/4"	Cove Crown	Mocha

Note: Height & Width refers to images as they are displayed. All dimensions are nominal.

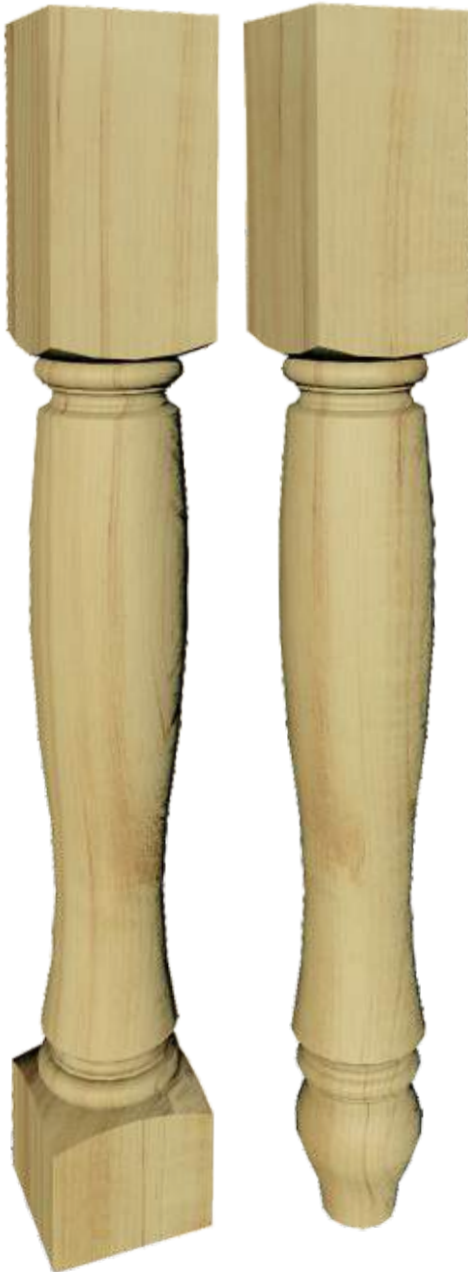
V-SERIES WOOD TURNINGS

Sheridan



V-1652 Shown

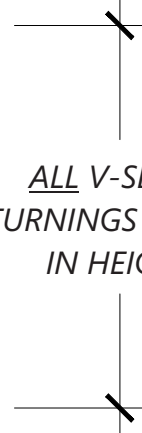
V-1752 Shown



STYLES

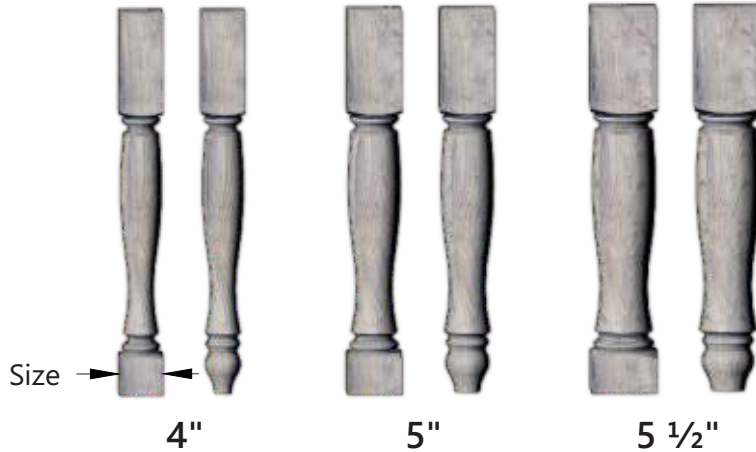


Post Leg



ALL V-SERIES
TURNINGS ARE 36"
IN HEIGHT

SIZES



Size

4"

5"

5 1/2"

Part-ID	Style	Size	Oak		Birch		Maple	
			Av	Stk	Av	Stk	Av	Stk
V-1622	Post	4"	✓		✓		✓	
V-1652	Post	5"	✓		✓		✓	
V-1672	Post	5 1/2"	✓		✓		✓	
V-1722	Leg	4"	✓		✓		✓	
V-1752	Leg	5"	✓		✓		✓	
V-1772	Leg	5 1/2"	✓		✓		✓	

Note: All dimensions are nominal.

V-SERIES WOOD TURNINGS

Reeded Sheridan



V-1852 Shown

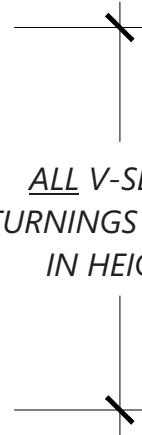
V-1952 Shown



STYLES

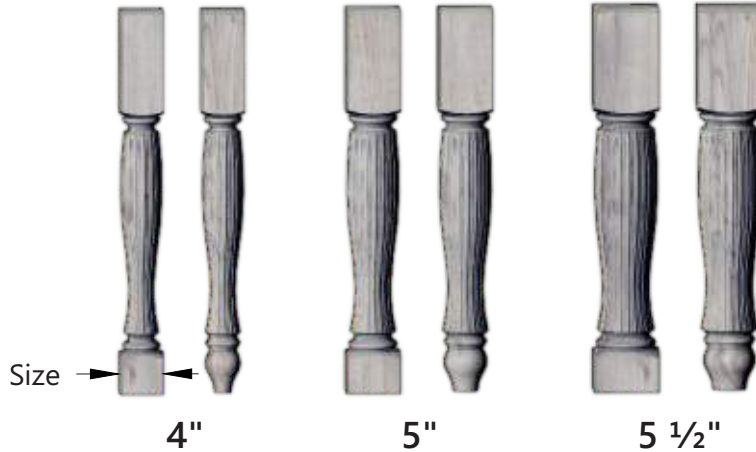


Post Leg



ALL V-SERIES
TURNINGS ARE 36"
IN HEIGHT

SIZES



Size

4"

5"

5 1/2"

Part-ID	Style	Size	Oak		Birch		Maple	
			Av	Stk	Av	Stk	Av	Stk
V-1822	Post	4"	✓		✓		✓	
V-1852	Post	5"	✓		✓		✓	
V-1872	Post	5 1/2"	✓		✓		✓	
V-1922	Leg	4"	✓		✓		✓	
V-1952	Leg	5"	✓		✓		✓	
V-1972	Leg	5 1/2"	✓		✓		✓	

Note: All dimensions are nominal.

V-SERIES WOOD TURNINGS

King

V-2052 Shown

V-2152 Shown



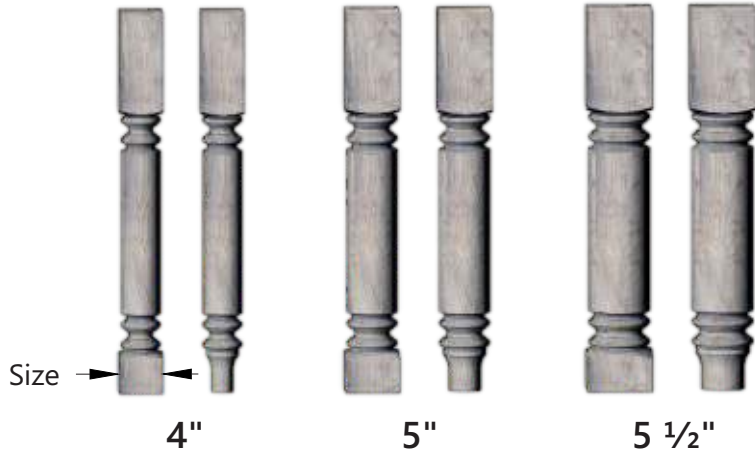
STYLES



Post Leg



SIZES



Part-ID	Style	Size	Oak		Birch		Maple	
			Av	Stk	Av	Stk	Av	Stk
V-2022	Post	4"	✓		✓		✓	
V-2052	Post	5"	✓		✓		✓	
V-2072	Post	5 1/2"	✓		✓		✓	
V-2122	Leg	4"	✓		✓		✓	
V-2152	Leg	5"	✓		✓		✓	
V-2172	Leg	5 1/2"	✓		✓		✓	

Note: All dimensions are nominal.

V-SERIES WOOD TURNINGS

Tapered King

V-2252 Shown

V-2352 Shown



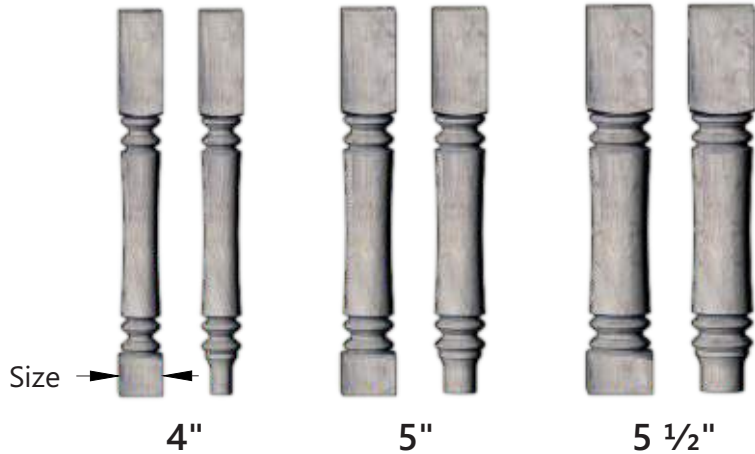
STYLES



Post Leg



SIZES



Part-ID	Style	Size	Oak		Birch		Maple	
			Av	Stk	Av	Stk	Av	Stk
V-2222	Post	4"	✓		✓		✓	
V-2252	Post	5"	✓		✓		✓	
V-2272	Post	5 1/2"	✓		✓		✓	
V-2322	Leg	4"	✓		✓		✓	
V-2352	Leg	5"	✓		✓		✓	
V-2372	Leg	5 1/2"	✓		✓		✓	

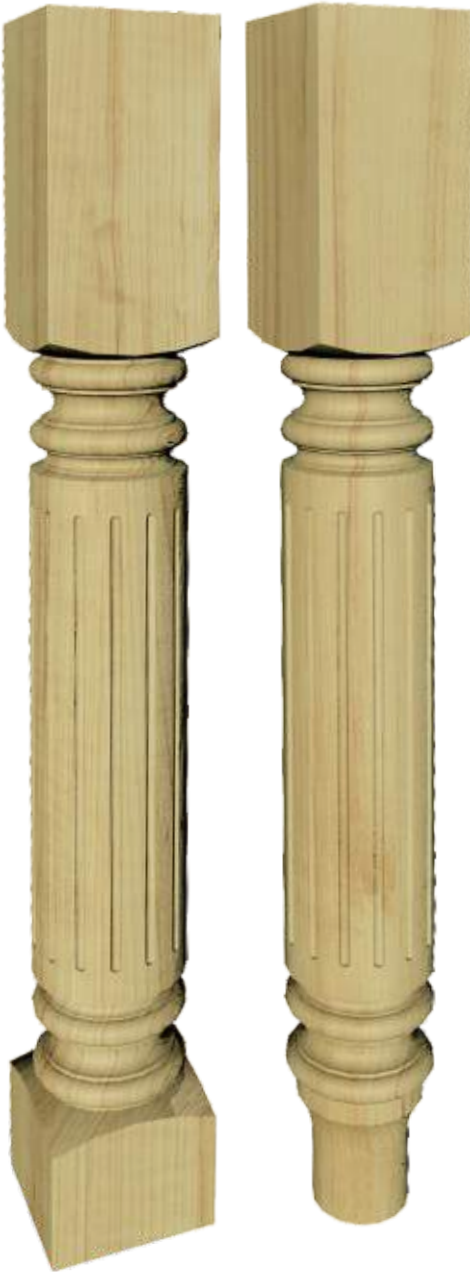
Note: All dimensions are nominal.

V-SERIES WOOD TURNINGS

Fluted King

V-2452 Shown

V-2552 Shown



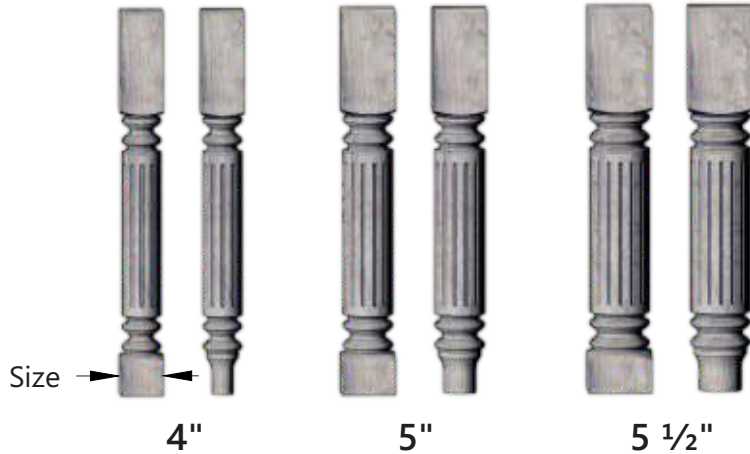
STYLES



Post Leg



SIZES



Part-ID	Style	Size	Oak		Birch		Maple	
			Av	Stk	Av	Stk	Av	Stk
V-2422	Post	4"	✓		✓		✓	
V-2452	Post	5"	✓		✓		✓	
V-2472	Post	5 1/2"	✓		✓		✓	
V-2522	Leg	4"	✓		✓		✓	
V-2552	Leg	5"	✓		✓		✓	
V-2572	Leg	5 1/2"	✓		✓		✓	

Note: All dimensions are nominal.

V-SERIES WOOD TURNINGS

Regency



V-2652 Shown

V-2752 Shown



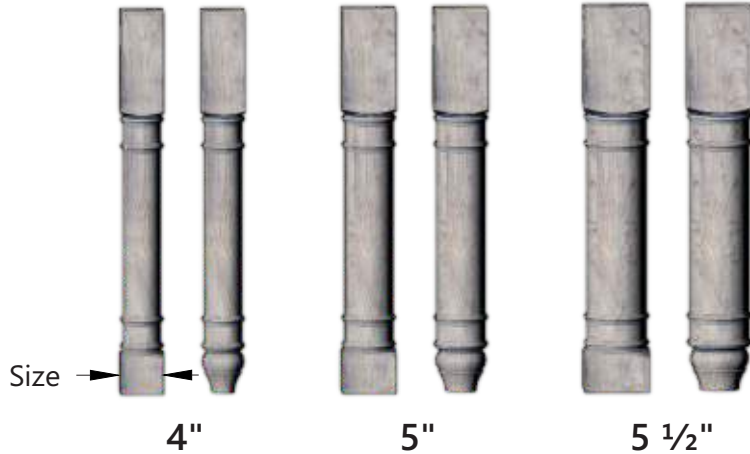
STYLES



Post Leg



SIZES



Part-ID	Style	Size	Oak		Birch		Maple	
			Av	Stk	Av	Stk	Av	Stk
V-2622	Post	4"	✓		✓		✓	
V-2652	Post	5"	✓		✓		✓	
V-2672	Post	5 1/2"	✓		✓		✓	
V-2722	Leg	4"	✓		✓		✓	
V-2752	Leg	5"	✓		✓		✓	
V-2772	Leg	5 1/2"	✓		✓		✓	

Note: All dimensions are nominal.

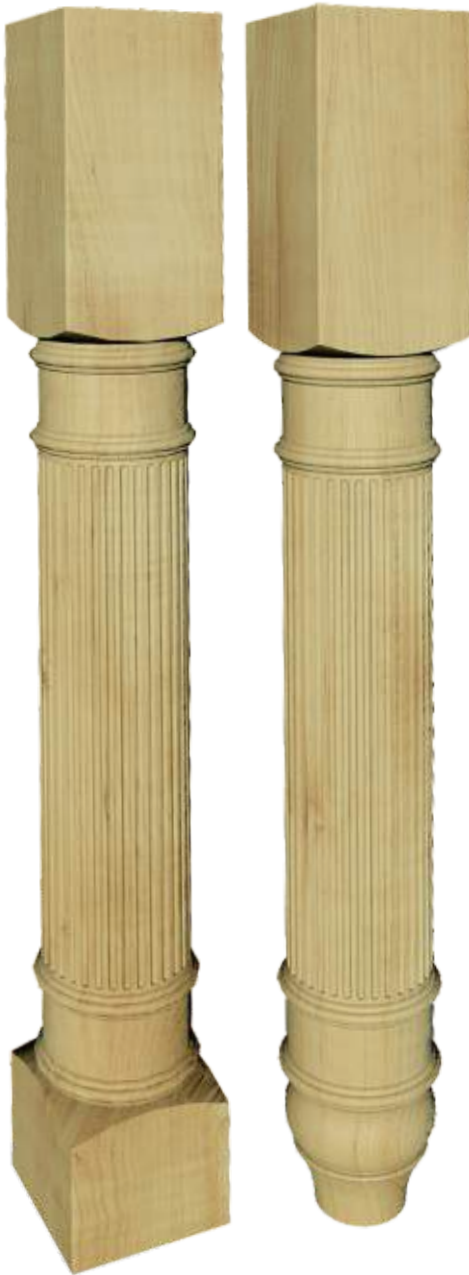
V-SERIES WOOD TURNINGS

Reeded Regency



V-2852 Shown

V-2952 Shown



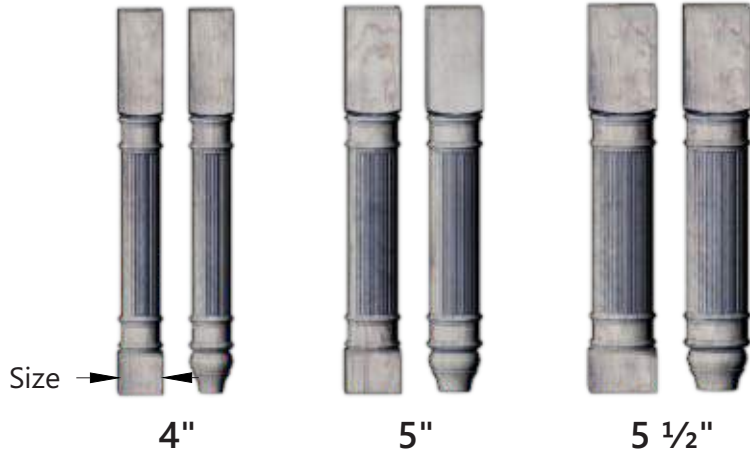
STYLES



Post Leg



SIZES



Part-ID	Style	Size	Oak		Birch		Maple	
			Av	Stk	Av	Stk	Av	Stk
V-2822	Post	4"	✓		✓		✓	
V-2852	Post	5"	✓		✓		✓	
V-2872	Post	5 1/2"	✓		✓		✓	
V-2922	Leg	4"	✓		✓		✓	
V-2952	Leg	5"	✓		✓		✓	
V-2972	Leg	5 1/2"	✓		✓		✓	

Note: All dimensions are nominal.

V-SERIES WOOD TURNINGS

Triumph

V-3682 Shown



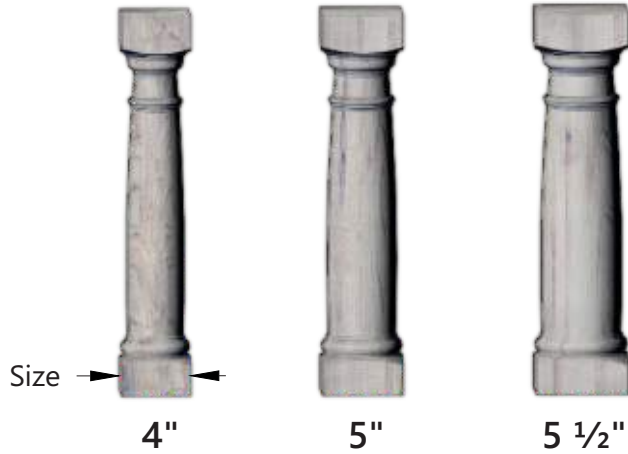
STYLES



Post



SIZES



Part-ID	Style	Size	Oak		Birch		Maple	
			Av	Stk	Av	Stk	Av	Stk
V-3622	Post	4"	✓		✓		✓	
V-3652	Post	5"	✓		✓		✓	
V-3672	Post	5 1/2"	✓		✓		✓	

Note: All dimensions are nominal.

V-SERIES WOOD TURNINGS

Chippendale



V-3822 Shown

V-3922 Shown



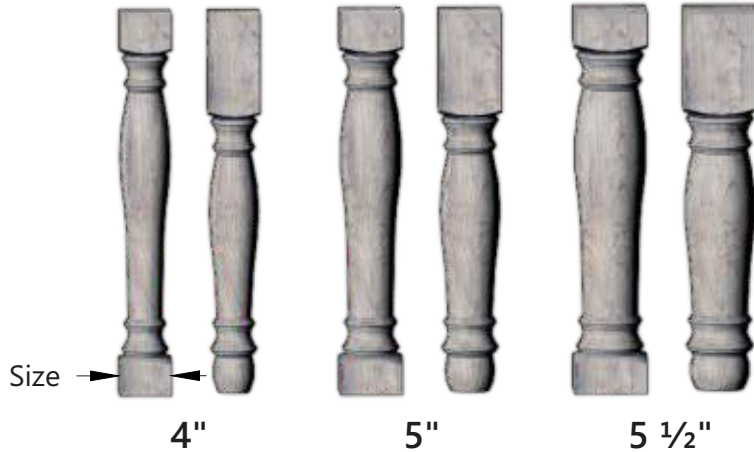
STYLES



Post Leg



SIZES



Part-ID	Style	Size	Oak		Birch		Maple	
			Av	Stk	Av	Stk	Av	Stk
V-3822	Post	4"	✓		✓		✓	
V-3852	Post	5"	✓		✓		✓	
V-3872	Post	5 1/2"	✓		✓		✓	
V-3922	Leg	4"	✓		✓		✓	
V-3952	Leg	5"	✓		✓		✓	
V-3972	Leg	5 1/2"	✓		✓		✓	

Note: All dimensions are nominal.

E-SERIES STAIR TREADS

Solid Wood Treads



Classic and reliable, our solid wood stair treads are stocked in a large variety of sizes and materials.

Part-ID	Width	Depth	Oak		Birch		Maple	
			Av	Stk	Av	Stk	Av	Stk
E-3610	36"	10 ½"	✓	✓	✓	✓	✓	✓
E-4210	42"	10 ½"	✓	✓	✓	✓	✓	✓
E-4810	48"	10 ½"	✓	✓	✓	✓	✓	✓
E-5410	54"	10 ½"	✓	✓	✓	✓	✓	✓
E-6010	60"	10 ½"	✓	✓	✓	✓	✓	✓
E-7210	72"	10 ½"	✓	✓	✓	✓	✓	✓
E-3611	36"	11 ½"	✓	✓	✓	✓	✓	✓
E-4211	42"	11 ½"	✓	✓	✓	✓	✓	✓
E-4811	48"	11 ½"	✓	✓	✓	✓	✓	✓
E-5411	54"	11 ½"	✓	✓	✓	✓	✓	✓
E-6011	60"	11 ½"	✓	✓	✓	✓	✓	✓
E-7211	72"	11 ½"	✓	✓	✓	✓	✓	✓

Note: All dimensions are nominal.
All Treads are 1 ¼" in thickness.

End Treatments

Bullnose



Extension



Mitered



All of our solid wood stair treads are available with any of these end treatments on one or both ends. Simply specify your desired end treatment when ordering.

S-SERIES STAIRCASE ACCESSORIES

All S-Series Mouldings Are Sold By The Foot

Scotia Mouldings

J-Cap



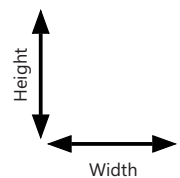
Post Trim

Cover Mouldings



Part-ID	Height	Width	Oak		Birch		Maple	
			Av	Stk	Av	Stk	Av	Stk
S-1	5/8"	5/8"	✓	✓	✓	✓	✓	✓
S-2	3/4"	1/2"	✓	✓	✓	✓	✓	✓
S-3	3/8"	1"	✓	✓	✓	✓	✓	✓
S-4	3/8"	3/4"	✓	✓	✓	✓	✓	✓
S-5	1"	1"	✓	✓	✓	✓	✓	✓
S-6	1"	5/8"	✓	✓	✓	✓	✓	✓
S-7	1"	5/8"	✓		✓		✓	
S-8	1 1/8"	3/8"	✓		✓		✓	
S-9	5/8"	5/8"	✓		✓		✓	
S-10	3/4"	1/4"	✓	✓	✓	✓	✓	✓
S-11	1 3/8"	3/8"	✓	✓	✓	✓	✓	✓
S-12	3/4"	1/2"	✓	✓	✓	✓	✓	✓
S-13	1 1/8"	1/2"	✓		✓		✓	
S-14	3/4"	3/8"	✓	✓	✓	✓	✓	✓
S-15	1 3/8"	3/8"	✓		✓		✓	

Note: Height & Width refers to images as they are displayed on the page. All dimensions are nominal.



S-SERIES STAIRCASE ACCESSORIES

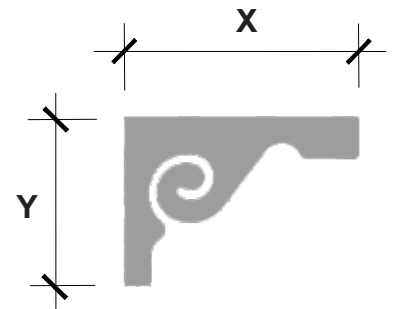
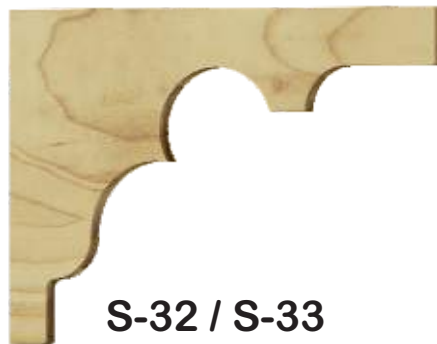
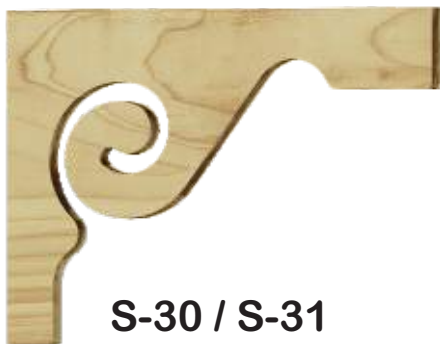
Handrail Mounts



Part-ID	Dimensions	Oak		Birch		Maple	
		Av	Stk	Av	Stk	Av	Stk
S-20	3 1/2" x 4 5/8"	✓		✓		✓	
S-21	Ø = 4 1/2"	✓		✓		✓	
S-22	2 1/4" Offset	✓	✓	✓	✓	✓	

Note: All dimensions are nominal.

Stringer Scrolls



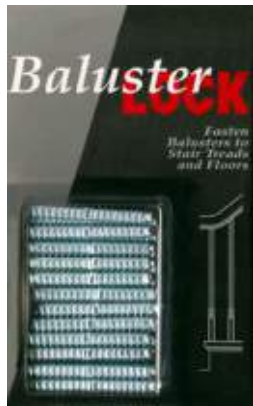
Part-ID	Material	X	Y	Oak		Birch		Maple	
				Av	Stk	Av	Stk	Av	Stk
S-30	Solid Wood	11 1/2"	8 3/4"	✓		✓		✓	
S-31	1/4" Plywood	11 1/2"	8 3/4"	✓		✓		✓	
S-32	Solid Wood	11 1/2"	8 3/4"	✓		✓		✓	
S-33	1/4" Plywood	11 1/2"	8 3/4"	✓		✓		✓	

Note: All dimensions are nominal.

S-SERIES STAIRCASE ACCESSORIES

Hardware

We offer a variety of mounting hardware for staircase components to make assembly and installation a breeze. All hardware is kept in stock.



S-70
Baluster Lock
2" Dowel Screws for
Baluster Installation



S-71
EZ Lock
8" Mounting Plate for
Newel Post installation



S-72
Key Lock
Fully Concealed Mounting System
for Newel Post installation



S-73
Rail Bolt
Mechanical Fasteners for
Handrail & Fitting Assembly



S-74
Post Bolt
6" x 1/2" Dowel Screw
for Newel Post Installation



S-75
1/2" Button Plugs
Sold in packages of 20
Available in Oak and Birch

S-SERIES STAIRCASE ACCESSORIES

Square Post Caps



Plain

S-103 Shown



Chamfered

S-113 Shown



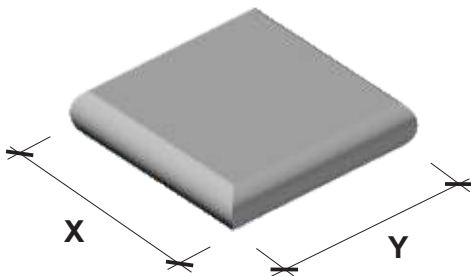
Bullnosed

S-123 Shown



Profiled

S-133 Shown



Part-ID	X & Y	Style	Post Size	Oak		Birch		Maple	
				Av	Stk	Av	Stk	Av	Stk
S-103	5 1/2"	Plain	4"	✓		✓		✓	
S-104	6"	Plain	4 1/2"	✓		✓		✓	
S-105	6 1/2"	Plain	5"	✓		✓		✓	
S-106	7"	Plain	5 1/2"	✓		✓		✓	
S-109	8 1/2"	Plain	7"	✓		✓		✓	
S-113	5 1/2"	Chamfered	4"	✓	✓	✓	✓	✓	
S-114	6"	Chamfered	4 1/2"	✓		✓		✓	
S-115	6 1/2"	Chamfered	5"	✓		✓		✓	
S-116	7"	Chamfered	5 1/2"	✓	✓	✓	✓	✓	
S-119	8 1/2"	Chamfered	7"	✓		✓		✓	
S-123	5 1/2"	Bullnosed	4"	✓		✓		✓	
S-124	6"	Bullnosed	4 1/2"	✓		✓		✓	
S-125	6 1/2"	Bullnosed	5"	✓		✓		✓	
S-126	7"	Bullnosed	5 1/2"	✓	✓	✓	✓	✓	
S-129	8 1/2"	Bullnosed	7"	✓		✓		✓	
S-133	5 1/2"	Profiled	4"	✓	✓	✓	✓	✓	
S-134	6"	Profiled	4 1/2"	✓	✓	✓	✓	✓	
S-135	6 1/2"	Profiled	5"	✓	✓	✓	✓	✓	
S-136	7"	Profiled	5 1/2"	✓		✓		✓	
S-139	8 1/2"	Profiled	7"	✓		✓		✓	

Note: All dimensions are nominal.

S-SERIES STAIRCASE ACCESSORIES

Turned Post Caps



Button
S-201 Shown



Tulip
S-211 Shown



Regency
S-221 Shown



Global
S-231 Shown



Cabot
S-241 Shown



Beaded Cabot
S-251 Shown



Acorn
S-261 Shown

Part-ID	Ø	Style	Oak		Birch		Maple	
			Av	Stk	Av	Stk	Av	Stk
S-201	3"	Button	✓		✓		✓	
S-202	4"	Button	✓		✓		✓	
S-203	5"	Button	✓		✓		✓	
S-211	3"	Tulip	✓		✓		✓	
S-212	4"	Tulip	✓		✓		✓	
S-213	5"	Tulip	✓		✓		✓	
S-221	3"	Swiss	✓		✓		✓	
S-222	4"	Swiss	✓		✓		✓	
S-223	5"	Swiss	✓		✓		✓	
S-231	3"	Global	✓		✓		✓	
S-232	4"	Global	✓		✓		✓	
S-233	5"	Global	✓		✓		✓	
S-241	3"	Cabot	✓		✓		✓	
S-242	4"	Cabot	✓		✓		✓	
S-243	5"	Cabot	✓		✓		✓	
S-251	3"	Beaded Cabot	✓		✓		✓	
S-252	4"	Beaded Cabot	✓		✓		✓	
S-253	5"	Beaded Cabot	✓		✓		✓	
S-261	3"	Acorn	✓		✓		✓	
S-262	4"	Acorn	✓		✓		✓	
S-263	5"	Acorn	✓		✓		✓	

Note: All dimensions are nominal.

H-SERIES SHOERAIL & HANDRAIL

All H-Series Products Are Sold By The Foot



H-101



H-102



H-151



H-152



H-153



H-201



H-202



H-251



H-252



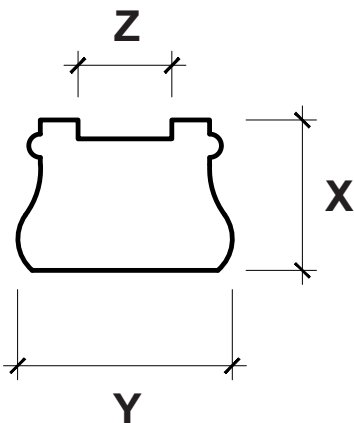
H-253



H-300

Courtesy Rail

Available in 8 and 14 Foot Lengths Only



Part-ID	X	Y	Z	Oak		Birch		Maple	
				Av	Stk	Av	Stk	Av	Stk
H-101	¾"	2 ½"	½"	✓		✓		✓	
H-102	¾"	2 ½"	1 ¼"	✓		✓		✓	
H-151	¾"	3"	½"	✓		✓		✓	
H-152	¾"	3"	1 ¼"	✓		✓		✓	
H-153	¾"	3"	1 ¾"	✓		✓		✓	
H-201	1 ¾"	2 ⅝"	½"	✓		✓		✓	
H-202	1 ¾"	2 ⅝"	1 ¼"	✓		✓		✓	
H-251	1 ¾"	2 ⅝"	½"	✓		✓		✓	
H-252	1 ¾"	2 ⅝"	1 ¼"	✓		✓		✓	
H-253	1 ¾"	2 ⅝"	1 ¾"	✓		✓		✓	
H-300	1 ⅝"	2"		Available and Stocked in FJP Only					

Note: Av = Item is available in specified material when checked.
Shoerail comes with appropriate fillet.

H-SERIES HANDRAIL

All H-Series Products Are Sold By The Foot



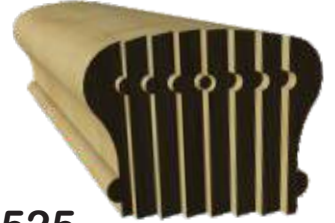
H-500



H-501



H-502



H-525



H-550



H-551



H-552



H-553



H-600



H-601



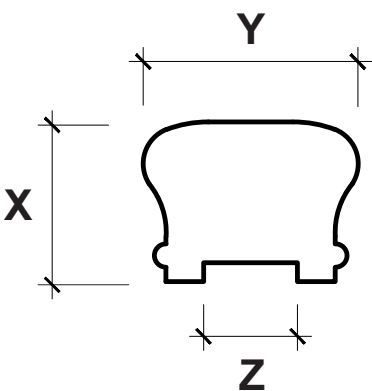
H-602



H-603



H-625



Part-ID	X	Y	Z	Oak		Birch		Maple	
				Av	Stk	Av	Stk	Av	Stk
H-500	2 1/8"	2 3/8"		✓	✓	✓	✓	✓	✓
H-501	2 1/8"	2 3/8"	1/2"	✓	✓	✓	✓	✓	✓
H-502	2 1/8"	2 3/8"	1 1/4"	✓	✓	✓	✓	✓	✓
H-525	2 1/8"	2 3/8"		✓	✓	✓	✓	✓	✓
H-550	2 1/8"	2 3/8"		✓	✓	✓	✓	✓	✓
H-551	2 1/8"	2 7/8"	1/2"	✓	✓	✓	✓	✓	✓
H-552	2 1/8"	2 7/8"	1 1/4"	✓	✓	✓	✓	✓	✓
H-553	2 1/8"	2 7/8"	1 3/4"	✓	✓	✓	✓	✓	✓
H-600	2 1/2"	2 3/8"		✓	✓	✓	✓	✓	✓
H-601	2 1/2"	2 7/8"	1/2"	✓	✓	✓	✓	✓	✓
H-602	2 1/2"	2 7/8"	1 1/4"	✓	✓	✓	✓	✓	✓
H-603	2 1/2"	2 7/8"	1 3/4"	✓	✓	✓	✓	✓	✓
H-625	2 1/2"	2 7/8"		✓	✓	✓	✓	✓	✓

Note: Av = Item is available in specified material when checked.
Handrail comes with appropriate fillet where applicable.

H-SERIES HANDRAIL

All H-Series Products Are Sold By The Foot

New!



H-650



H-651



H-652



H-653



H-700



H-701



H-702



H-703



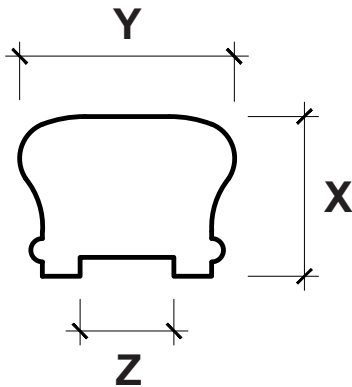
H-750



H-751



H-752



Part-ID	X	Y	Z	Oak		Birch		Maple	
				Av	Stk	Av	Stk	Av	Stk
H-650	3"	2 1/2"		✓		✓		✓	
H-651	3"	2 1/2"	1/2"	✓		✓		✓	
H-652	3"	2 1/2"	1 1/4"	✓		✓		✓	
H-653	3"	2 1/2"	1 3/4"	✓		✓		✓	
H-700	1 3/4"	2 1/2"		✓		✓		✓	
H-701	1 3/4"	2 1/2"	1/2"	✓		✓		✓	
H-702	1 3/4"	2 1/2"	1 1/4"	✓		✓		✓	
H-703	1 3/4"	2 1/2"	1 3/4"	✓		✓		✓	
H-750	2"	2 3/8"		✓	✓	✓	✓	✓	✓
H-751	2"	2 3/8"	1/2"	✓	✓	✓	✓	✓	✓
H-752	2"	2 3/8"	1 1/4"	✓	✓	✓	✓	✓	✓

Note: Av = Item is available in specified material when checked.
Handrail comes with appropriate fillet where applicable.

H-SERIES HANDRAIL

All H-Series Products Are Sold By The Foot

New!



H-800



H-801



H-802



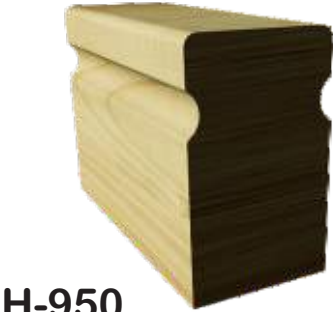
H-900



H-901



H-902



H-950



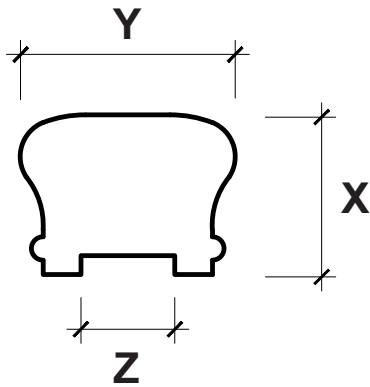
H-951



H-952



H-953



Part-ID	X	Y	Z	Oak		Birch		Maple	
				Av	Stk	Av	Stk	Av	Stk
H-800	4 1/4"	1 3/4"		✓		✓		✓	
H-801	4 1/4"	1 3/4"	1/2"	✓		✓		✓	
H-802	4 1/4"	1 3/4"	1 1/4"	✓		✓		✓	
H-900	4"	1 3/4"		✓		✓		✓	
H-901	4"	1 3/4"	1/2"	✓		✓		✓	
H-902	4"	1 3/4"	1 1/4"	✓		✓		✓	
H-950	4"	2 1/2"		✓		✓		✓	
H-951	4"	2 1/2"	1/2"	✓		✓		✓	
H-952	4"	2 1/2"	1 1/4"	✓		✓		✓	
H-953	4"	2 1/2"	1 3/4"	✓		✓		✓	

Note: Av = Item is available in specified material when checked.
Handrail comes with appropriate fillet where applicable.

J-SERIES HANDRAIL FITTINGS

End Cap

J-551 Shown



Quarter Turn

J-602 Shown



135° Up Easing

J-553 Shown



135° Over Easing

J-604 Shown



Part-ID	Fitting Name	Profile	Oak		Birch		Maple	
			Av	Stk	Av	Stk	Av	Stk
J-501	End Cap	H-500	✓	✓	✓	✓	✓	✓
J-502	Quarter Turn	H-500	✓	✓	✓	✓	✓	✓
J-503	135° Up Easing	H-500	✓	✓	✓	✓	✓	✓
J-504	135° Over Easing	H-500	✓	✓	✓	✓	✓	✓
J-551	End Cap	H-550	✓	✓	✓	✓	✓	✓
J-552	Quarter Turn	H-550	✓	✓	✓	✓	✓	✓
J-553	135° Up Easing	H-550	✓	✓	✓	✓	✓	✓
J-554	135° Over Easing	H-550	✓	✓	✓	✓	✓	✓
J-601	End Cap	H-600	✓	✓	✓	✓	✓	✓
J-602	Quarter Turn	H-600	✓	✓	✓	✓	✓	✓
J-603	135° Up Easing	H-600	✓	✓	✓	✓	✓	✓
J-604	135° Over Easing	H-600	✓	✓	✓	✓	✓	✓

Note: All dimensions are nominal.

J-SERIES HANDRAIL FITTINGS

S-Turn Fittings

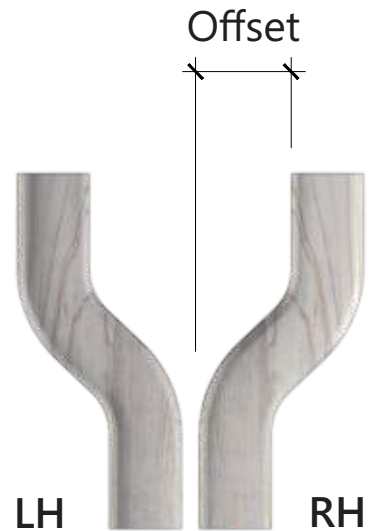
3" Offset RH S-Turn

J-613 Shown



6" Offset LH S-Turn

J-562 Shown



Part-ID	Fitting Name	Offset	Profile	Oak		Birch		Maple	
				Av	Stk	Av	Stk	Av	Stk
J-511	LH S-Turn	3"	H-500	✓	✓	✓	✓	✓	✓
J-512	LH S-Turn	4"	H-500	✓		✓		✓	
J-513	LH S-Turn	6"	H-500	✓	✓	✓	✓	✓	✓
J-514	RH S-Turn	3"	H-500	✓	✓	✓	✓	✓	✓
J-515	RH S-Turn	4"	H-500	✓		✓		✓	
J-516	RH S-Turn	6"	H-500	✓	✓	✓	✓	✓	✓
J-561	LH S-Turn	3"	H-550	✓		✓		✓	
J-562	LH S-Turn	6"	H-550	✓	✓	✓	✓	✓	
J-563	RH S-Turn	3"	H-550	✓		✓		✓	
J-564	RH S-Turn	6"	H-550	✓	✓	✓	✓	✓	
J-611	LH S-Turn	3"	H-600	✓		✓		✓	
J-612	LH S-Turn	6"	H-600	✓	✓	✓	✓	✓	
J-613	RH S-Turn	3"	H-600	✓		✓		✓	
J-614	RH S-Turn	6"	H-600	✓	✓	✓	✓	✓	

Note: All dimensions are nominal.

J-SERIES HANDRAIL FITTINGS

Gooseneck Fittings

RH Goosenecks

Straight Goosenecks

LH Goosenecks



Part-ID	Fitting Name	Profile	Oak		Birch		Maple	
			Av	Stk	Av	Stk	Av	Stk
J-521	1 Rise Straight Gooseneck	H-500	✓	✓	✓	✓	✓	✓
J-522	2 Rise Straight Gooseneck	H-500	✓		✓		✓	
J-523	1 Rise LH Gooseneck	H-500	✓	✓	✓	✓	✓	
J-524	2 Rise LH Gooseneck	H-500	✓		✓		✓	
J-525	1 Rise RH Gooseneck	H-500	✓	✓	✓	✓	✓	
J-526	2 Rise RH Gooseneck	H-500	✓		✓		✓	
J-571	1 Rise Straight Gooseneck	H-550	✓		✓		✓	
J-572	2 Rise Straight Gooseneck	H-550	✓		✓		✓	
J-573	1 Rise LH Gooseneck	H-550	✓		✓		✓	
J-574	2 Rise LH Gooseneck	H-550	✓		✓		✓	
J-575	1 Rise RH Gooseneck	H-550	✓		✓		✓	
J-576	2 Rise RH Gooseneck	H-550	✓		✓		✓	
J-621	1 Rise Straight Gooseneck	H-600	✓		✓		✓	
J-622	2 Rise Straight Gooseneck	H-600	✓		✓		✓	
J-623	1 Rise LH Gooseneck	H-600	✓		✓		✓	
J-624	2 Rise LH Gooseneck	H-600	✓		✓		✓	
J-625	1 Rise RH Gooseneck	H-600	✓		✓		✓	
J-626	2 Rise RH Gooseneck	H-600	✓		✓		✓	

Note: All dimensions are nominal.



Craftsman Post (P-9054). Shown with H-550 handrail, S-21 mounting bracket and Bezdán TL58RD-SS spindles.

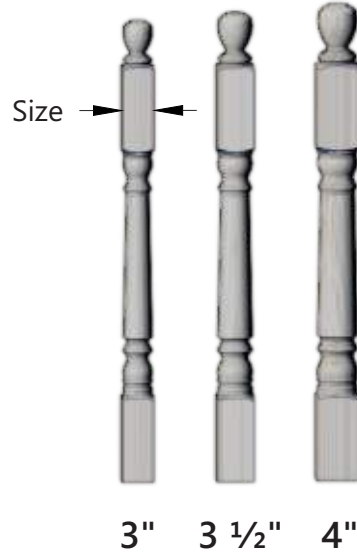
P-SERIES NEWEL POSTS

Heritage



P-1024 Shown

SIZES



HEIGHTS



Part-ID	Size	Height	Oak		Birch		Maple	
			Av	Stk	Av	Stk	Av	Stk
P-1004	3"	42"	✓	✓	✓	✓	✓	
P-1005	3"	48"	✓	✓	✓	✓	✓	
P-1006	3"	52"	✓	✓	✓	✓	✓	
P-1014	3 ½"	42"	✓		✓		✓	
P-1015	3 ½"	48"	✓		✓		✓	
P-1016	3 ½"	52"	✓		✓		✓	
P-1024	4"	42"	✓		✓		✓	
P-1025	4"	48"	✓		✓		✓	
P-1026	4"	52"	✓		✓		✓	

Note: All dimensions are nominal.

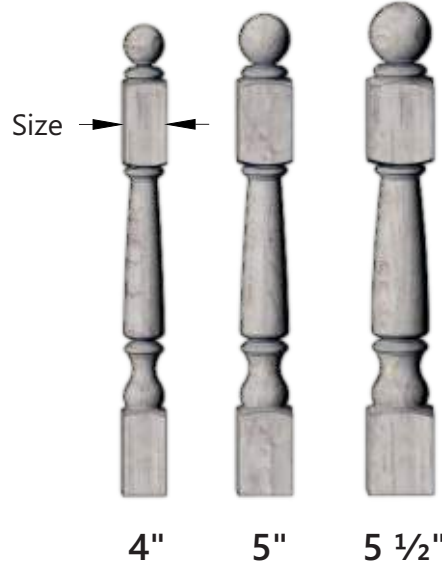
P-SERIES NEWEL POSTS

Cabot



P-1244 Shown

SIZES



HEIGHTS



Part-ID	Size	Height	Oak		Birch		Maple	
			Av	Stk	Av	Stk	Av	Stk
P-1224	4"	42"	✓		✓		✓	
P-1225	4"	48"	✓		✓		✓	
P-1226	4"	52"	✓		✓		✓	
P-1244	5"	42"	✓		✓		✓	
P-1245	5"	48"	✓		✓		✓	
P-1246	5"	52"	✓		✓		✓	
P-1254	5 1/2"	42"	✓		✓		✓	
P-1255	5 1/2"	48"	✓		✓		✓	
P-1256	5 1/2"	52"	✓		✓		✓	

Note: All dimensions are nominal.

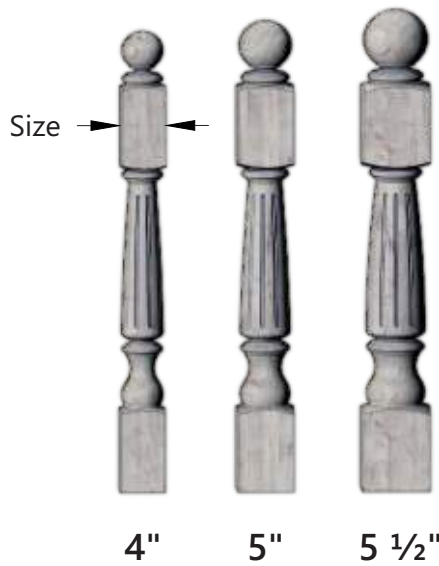
P-SERIES NEWEL POSTS

Fluted Cabot



P-1444 Shown

SIZES



HEIGHTS



Part-ID	Size	Height	Oak		Birch		Maple	
			Av	Stk	Av	Stk	Av	Stk
P-1424	4"	42"	✓		✓		✓	
P-1425	4"	48"	✓		✓		✓	
P-1426	4"	52"	✓		✓		✓	
P-1444	5"	42"	✓		✓		✓	
P-1445	5"	48"	✓		✓		✓	
P-1446	5"	52"	✓		✓		✓	
P-1454	5 1/2"	42"	✓		✓		✓	
P-1455	5 1/2"	48"	✓		✓		✓	
P-1456	5 1/2"	52"	✓		✓		✓	

Note: All dimensions are nominal.

P-SERIES NEWEL POSTS

Sheridan



P-1644 Shown

SIZES



HEIGHTS



Part-ID	Size	Height	Oak		Birch		Maple	
			Av	Stk	Av	Stk	Av	Stk
P-1624	4"	42"	✓		✓		✓	
P-1625	4"	48"	✓		✓		✓	
P-1626	4"	52"	✓		✓		✓	
P-1644	5"	42"	✓		✓		✓	
P-1645	5"	48"	✓		✓		✓	
P-1646	5"	52"	✓		✓		✓	
P-1654	5 ½"	42"	✓		✓		✓	
P-1655	5 ½"	48"	✓		✓		✓	
P-1656	5 ½"	52"	✓		✓		✓	

Note: All dimensions are nominal.

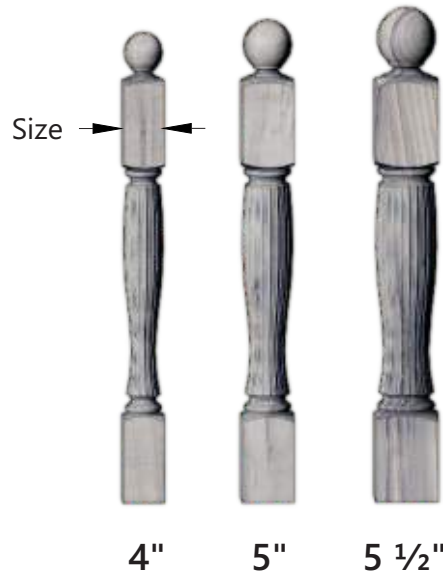
P-SERIES NEWEL POSTS

Reeded Sheridan



P-1844 Shown

SIZES



HEIGHTS



Part-ID	Size	Height	Oak		Birch		Maple	
			Av	Stk	Av	Stk	Av	Stk
P-1824	4"	42"	✓		✓		✓	
P-1825	4"	48"	✓		✓		✓	
P-1826	4"	52"	✓		✓		✓	
P-1844	5"	42"	✓		✓		✓	
P-1845	5"	48"	✓		✓		✓	
P-1846	5"	52"	✓		✓		✓	
P-1854	5 1/2"	42"	✓		✓		✓	
P-1855	5 1/2"	48"	✓		✓		✓	
P-1856	5 1/2"	52"	✓		✓		✓	

Note: All dimensions are nominal.

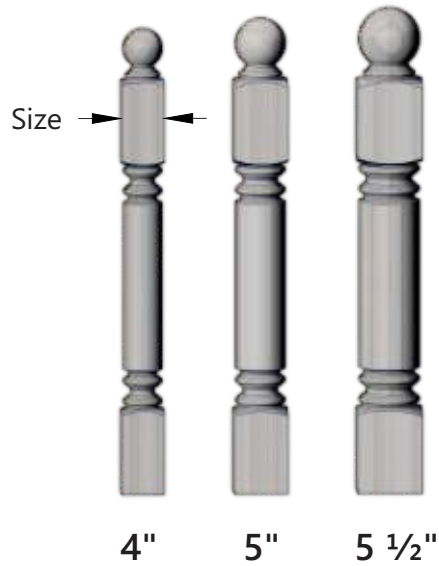
P-SERIES NEWEL POSTS

King



P-2044 Shown

SIZES



HEIGHTS



Part-ID	Size	Height	Oak		Birch		Maple	
			Av	Stk	Av	Stk	Av	Stk
P-2024	4"	42"	✓		✓		✓	
P-2025	4"	48"	✓		✓		✓	
P-2026	4"	52"	✓		✓		✓	
P-2044	5"	42"	✓		✓		✓	
P-2045	5"	48"	✓		✓		✓	
P-2046	5"	52"	✓		✓		✓	
P-2054	5 1/2"	42"	✓		✓		✓	
P-2055	5 1/2"	48"	✓		✓		✓	
P-2056	5 1/2"	52"	✓		✓		✓	

Note: All dimensions are nominal.

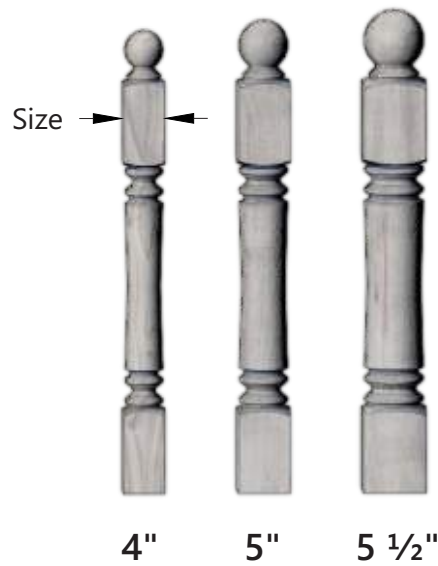
P-SERIES NEWEL POSTS

Tapered King



P-2244 Shown

SIZES



HEIGHTS



Part-ID	Size	Height	Oak		Birch		Maple	
			Av	Stk	Av	Stk	Av	Stk
P-2224	4"	42"	✓		✓		✓	
P-2225	4"	48"	✓		✓		✓	
P-2226	4"	52"	✓		✓		✓	
P-2244	5"	42"	✓		✓		✓	
P-2245	5"	48"	✓		✓		✓	
P-2246	5"	52"	✓		✓		✓	
P-2254	5 1/2"	42"	✓		✓		✓	
P-2255	5 1/2"	48"	✓		✓		✓	
P-2256	5 1/2"	52"	✓		✓		✓	

Note: All dimensions are nominal.

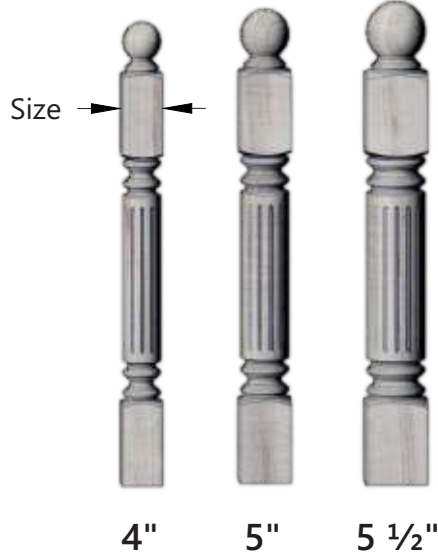
P-SERIES NEWEL POSTS

Fluted King



P-2444 Shown

SIZES



HEIGHTS



Part-ID	Size	Height	Oak		Birch		Maple	
			Av	Stk	Av	Stk	Av	Stk
P-2424	4"	42"	✓		✓		✓	
P-2425	4"	48"	✓		✓		✓	
P-2426	4"	52"	✓		✓		✓	
P-2444	5"	42"	✓		✓		✓	
P-2445	5"	48"	✓		✓		✓	
P-2446	5"	52"	✓		✓		✓	
P-2454	5 1/2"	42"	✓		✓		✓	
P-2455	5 1/2"	48"	✓		✓		✓	
P-2456	5 1/2"	52"	✓		✓		✓	

Note: All dimensions are nominal.

P-SERIES NEWEL POSTS

Regency

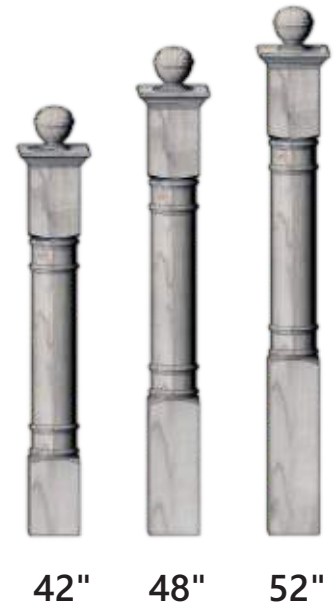


P-2644 Shown

SIZES



HEIGHTS



Part-ID	Size	Height	Oak		Birch		Maple	
			Av	Stk	Av	Stk	Av	Stk
P-2624	4"	42"	✓		✓		✓	
P-2625	4"	48"	✓		✓		✓	
P-2626	4"	52"	✓		✓		✓	
P-2644	5"	42"	✓		✓		✓	
P-2645	5"	48"	✓		✓		✓	
P-2646	5"	52"	✓		✓		✓	
P-2654	5 1/2"	42"	✓		✓		✓	
P-2655	5 1/2"	48"	✓		✓		✓	
P-2656	5 1/2"	52"	✓		✓		✓	

Note: All dimensions are nominal.

P-SERIES NEWEL POSTS

Reeded Regency



P-2844 Shown

SIZES



HEIGHTS



Part-ID	Size	Height	Oak		Birch		Maple	
			Av	Stk	Av	Stk	Av	Stk
P-2824	4"	42"	✓		✓		✓	
P-2825	4"	48"	✓		✓		✓	
P-2826	4"	52"	✓		✓		✓	
P-2844	5"	42"	✓		✓		✓	
P-2845	5"	48"	✓		✓		✓	
P-2846	5"	52"	✓		✓		✓	
P-2854	5 ½"	42"	✓		✓		✓	
P-2855	5 ½"	48"	✓		✓		✓	
P-2856	5 ½"	52"	✓		✓		✓	

Note: All dimensions are nominal.

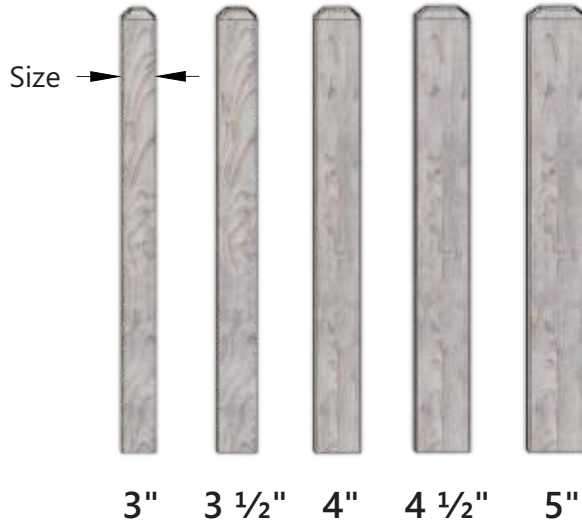
P-SERIES NEWEL POSTS

Modern



P-4024 Shown

SIZES



HEIGHTS



Part-ID	Size	Height	Oak		Birch		Maple	
			Av	Stk	Av	Stk	Av	Stk
P-4004	3"	42"	✓		✓		✓	
P-4005	3"	48"	✓		✓		✓	
P-4006	3"	52"	✓		✓		✓	
P-4014	3 1/2"	42"	✓		✓		✓	
P-4015	3 1/2"	48"	✓		✓		✓	
P-4016	3 1/2"	52"	✓		✓		✓	
P-4024	4"	42"	✓		✓		✓	
P-4025	4"	48"	✓		✓		✓	
P-4026	4"	52"	✓		✓		✓	
P-4034	4 1/2"	42"	✓		✓		✓	
P-4035	4 1/2"	48"	✓		✓		✓	
P-4036	4 1/2"	52"	✓		✓		✓	
P-4044	5"	42"	✓		✓		✓	
P-4045	5"	48"	✓		✓		✓	
P-4046	5"	52"	✓		✓		✓	

Note: All dimensions are nominal.

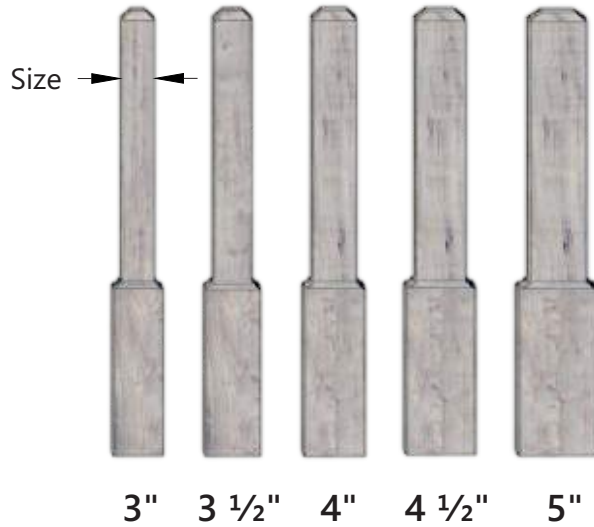
P-SERIES NEWEL POSTS

Modern With Base



P-4424 Shown

SIZES



HEIGHTS



Part-ID	Size	Height	Oak		Birch		Maple	
			Av	Stk	Av	Stk	Av	Stk
P-4404	3"	42"	✓		✓		✓	
P-4405	3"	48"	✓		✓		✓	
P-4406	3"	52"	✓		✓		✓	
P-4414	3 ½"	42"	✓		✓		✓	
P-4415	3 ½"	48"	✓		✓		✓	
P-4416	3 ½"	52"	✓		✓		✓	
P-4424	4"	42"	✓		✓		✓	
P-4425	4"	48"	✓		✓		✓	
P-4426	4"	52"	✓		✓		✓	
P-4434	4 ½"	42"	✓		✓		✓	
P-4435	4 ½"	48"	✓		✓		✓	
P-4436	4 ½"	52"	✓		✓		✓	
P-4444	5"	42"	✓		✓		✓	
P-4445	5"	48"	✓		✓		✓	
P-4446	5"	52"	✓		✓		✓	

Note: Post base is 1 ½" larger than post size.
All dimensions are nominal.

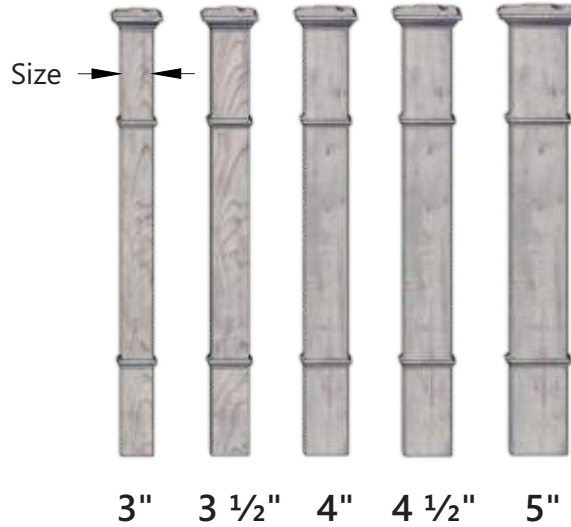
P-SERIES NEWEL POSTS

Noble



P-5024 Shown

SIZES



HEIGHTS



Part-ID	Size	Height	Oak		Birch		Maple	
			Av	Stk	Av	Stk	Av	Stk
P-5004	3"	42"	✓	✓	✓	✓	✓	
P-5005	3"	48"	✓	✓	✓	✓	✓	
P-5006	3"	52"	✓	✓	✓	✓	✓	
P-5014	3 1/2"	42"	✓		✓		✓	
P-5015	3 1/2"	48"	✓		✓		✓	
P-5016	3 1/2"	52"	✓		✓		✓	
P-5024	4"	42"	✓	✓	✓	✓	✓	
P-5025	4"	48"	✓	✓	✓	✓	✓	
P-5026	4"	52"	✓	✓	✓	✓	✓	
P-5034	4 1/2"	42"	✓		✓		✓	
P-5035	4 1/2"	48"	✓		✓		✓	
P-5036	4 1/2"	52"	✓		✓		✓	
P-5044	5"	42"	✓		✓		✓	
P-5045	5"	48"	✓		✓		✓	
P-5046	5"	52"	✓		✓		✓	

Note: All dimensions are nominal.

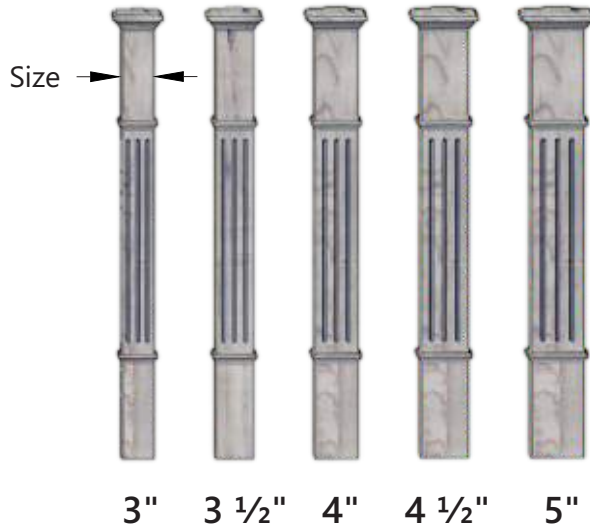
P-SERIES NEWEL POSTS

Fluted Noble

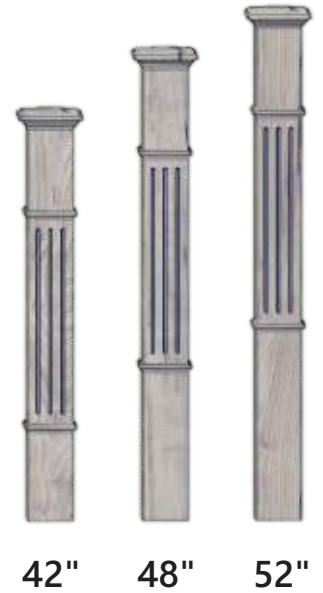


P-5224 Shown

SIZES



HEIGHTS



Part-ID	Size	Height	Oak		Birch		Maple	
			Av	Stk	Av	Stk	Av	Stk
P-5204	3"	42"	✓	✓	✓	✓	✓	
P-5205	3"	48"	✓	✓	✓	✓	✓	
P-5206	3"	52"	✓	✓	✓	✓	✓	
P-5214	3 1/2"	42"	✓		✓		✓	
P-5215	3 1/2"	48"	✓		✓		✓	
P-5216	3 1/2"	52"	✓		✓		✓	
P-5224	4"	42"	✓	✓	✓	✓	✓	
P-5225	4"	48"	✓	✓	✓	✓	✓	
P-5226	4"	52"	✓	✓	✓	✓	✓	
P-5234	4 1/2"	42"	✓		✓		✓	
P-5235	4 1/2"	48"	✓		✓		✓	
P-5236	4 1/2"	52"	✓		✓		✓	
P-5244	5"	42"	✓		✓		✓	
P-5245	5"	48"	✓		✓		✓	
P-5246	5"	52"	✓		✓		✓	

Note: All dimensions are nominal.

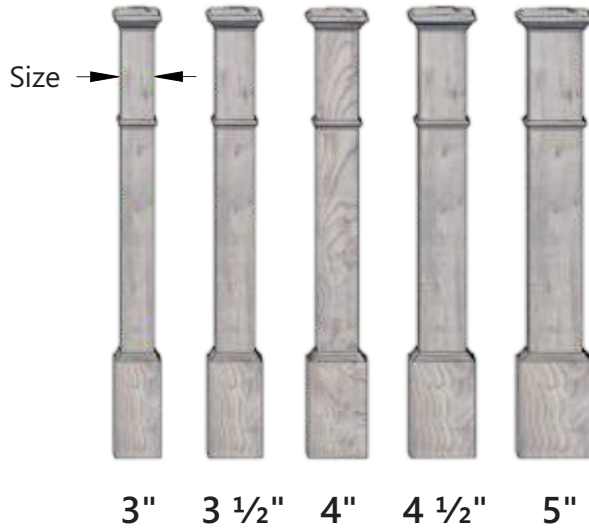
P-SERIES NEWEL POSTS

Noble With Base



P-5424 Shown

SIZES



HEIGHTS



Part-ID	Size	Height	Oak		Birch		Maple	
			Av	Stk	Av	Stk	Av	Stk
P-5404	3"	42"	✓		✓		✓	
P-5405	3"	48"	✓		✓		✓	
P-5406	3"	52"	✓		✓		✓	
P-5414	3 1/2"	42"	✓		✓		✓	
P-5415	3 1/2"	48"	✓		✓		✓	
P-5416	3 1/2"	52"	✓		✓		✓	
P-5424	4"	42"	✓		✓		✓	
P-5425	4"	48"	✓		✓		✓	
P-5426	4"	52"	✓		✓		✓	
P-5434	4 1/2"	42"	✓		✓		✓	
P-5435	4 1/2"	48"	✓		✓		✓	
P-5436	4 1/2"	52"	✓		✓		✓	
P-5444	5"	42"	✓		✓		✓	
P-5445	5"	48"	✓		✓		✓	
P-5446	5"	52"	✓		✓		✓	

Note: Post base is 1 1/2" larger than post size.
All dimensions are nominal.

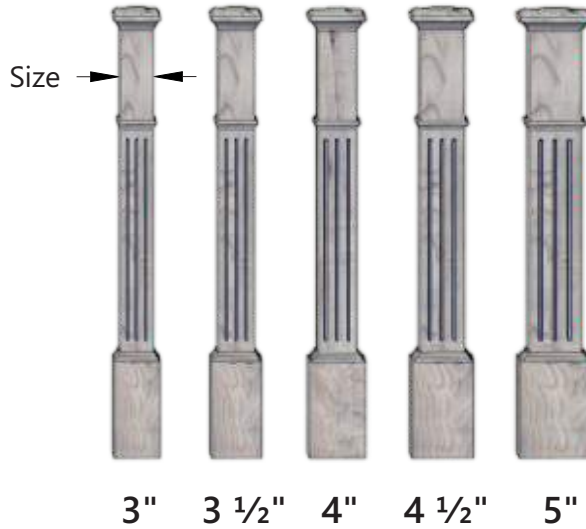
P-SERIES NEWEL POSTS

Fluted Noble With Base



P-5524 Shown

SIZES



HEIGHTS



Part-ID	Size	Height	Oak		Birch		Maple	
			Av	Stk	Av	Stk	Av	Stk
P-5504	3"	42"	✓		✓		✓	
P-5505	3"	48"	✓		✓		✓	
P-5506	3"	52"	✓		✓		✓	
P-5514	3 1/2"	42"	✓		✓		✓	
P-5515	3 1/2"	48"	✓		✓		✓	
P-5516	3 1/2"	52"	✓		✓		✓	
P-5524	4"	42"	✓		✓		✓	
P-5525	4"	48"	✓		✓		✓	
P-5526	4"	52"	✓		✓		✓	
P-5534	4 1/2"	42"	✓		✓		✓	
P-5535	4 1/2"	48"	✓		✓		✓	
P-5536	4 1/2"	52"	✓		✓		✓	
P-5544	5"	42"	✓		✓		✓	
P-5545	5"	48"	✓		✓		✓	
P-5546	5"	52"	✓		✓		✓	

Note: Post base is 1 1/2" larger than post size.
All dimensions are nominal.

P-SERIES NEWEL POSTS

Noble Design Flutes



Our unique *Design Flutes* are a trending alternative to traditional fluting. Offered in 8 different styles, they can be applied to any of the Noble posts listed below. Simply specify the Design Flute option along with the post Part-ID when ordering.

Design Flute Options



DF 1



DF 2



DF 3



DF 4



DF 5



DF 6



DF 7



DF 8

Post Size Options

Noble

Found on Page 73.

Part-ID	Size	Height
P-5024	4"	42"
P-5025	4"	48"
P-5026	4"	52"
P-5034	4 ½"	42"
P-5035	4 ½"	48"
P-5036	4 ½"	52"
P-5044	5"	42"
P-5045	5"	48"
P-5046	5"	52"

Noble With Base

Found on Page 75.

Part-ID	Size	Height
P-5424	4"	42"
P-5425	4"	48"
P-5426	4"	52"
P-5434	4 ½"	42"
P-5435	4 ½"	48"
P-5436	4 ½"	52"
P-5444	5"	42"
P-5445	5"	48"
P-5446	5"	52"

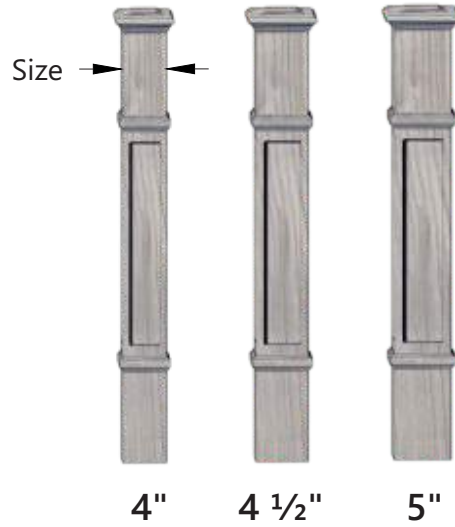
P-SERIES NEWEL POSTS

Valore



P-6044 Shown

SIZES



HEIGHTS



Part-ID	Size	Height	Oak		Birch		Maple	
			Av	Stk	Av	Stk	Av	Stk
P-6024	4"	42"	✓		✓		✓	
P-6025	4"	48"	✓		✓		✓	
P-6026	4"	52"	✓		✓		✓	
P-6034	4 1/2"	42"	✓		✓		✓	
P-6035	4 1/2"	48"	✓		✓		✓	
P-6036	4 1/2"	52"	✓		✓		✓	
P-6044	5"	42"	✓		✓		✓	
P-6045	5"	48"	✓		✓		✓	
P-6046	5"	52"	✓		✓		✓	

Note: All dimensions are nominal.

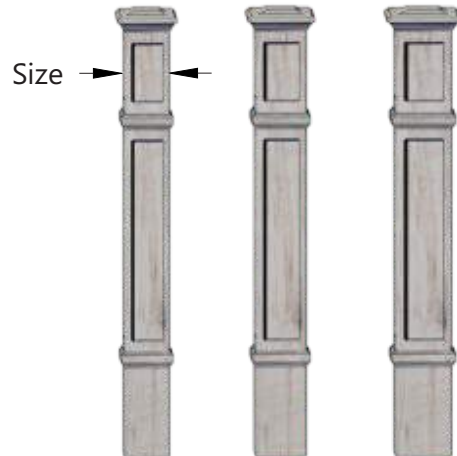
P-SERIES NEWEL POSTS

Valore Top Panel



P-6244 Shown

SIZES



4" 4 1/2" 5"

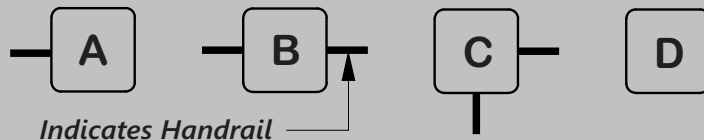
HEIGHTS



42" 48" 52"

RAIL CONNECTION TYPES

Specify rail connection type when ordering



Part-ID	Size	Height	Oak		Birch		Maple	
			Av	Stk	Av	Stk	Av	Stk
P-6224	4"	42"	✓		✓		✓	
P-6225	4"	48"	✓		✓		✓	
P-6226	4"	52"	✓		✓		✓	
P-6234	4 1/2"	42"	✓		✓		✓	
P-6235	4 1/2"	48"	✓		✓		✓	
P-6236	4 1/2"	52"	✓		✓		✓	
P-6244	5"	42"	✓		✓		✓	
P-6245	5"	48"	✓		✓		✓	
P-6246	5"	52"	✓		✓		✓	

Note: All dimensions are nominal.

P-SERIES NEWEL POSTS

Valore With Base



P-6444 Shown

SIZES



HEIGHTS



Part-ID	Size	Height	Oak		Birch		Maple	
			Av	Stk	Av	Stk	Av	Stk
P-6424	4"	42"	✓		✓		✓	
P-6425	4"	48"	✓		✓		✓	
P-6426	4"	52"	✓		✓		✓	
P-6434	4 1/2"	42"	✓		✓		✓	
P-6435	4 1/2"	48"	✓		✓		✓	
P-6436	4 1/2"	52"	✓		✓		✓	
P-6444	5"	42"	✓		✓		✓	
P-6445	5"	48"	✓		✓		✓	
P-6446	5"	52"	✓		✓		✓	

Note: Post base is 1 1/2" larger then post size.

All dimensions are nominal.

P-SERIES NEWEL POSTS

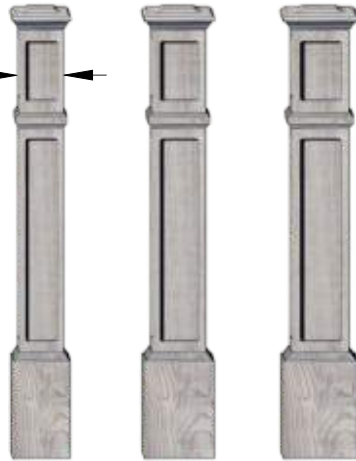
Valore Top Panel With Base



P-6544 Shown

SIZES

Size →



4"

4 1/2"

5"

HEIGHTS



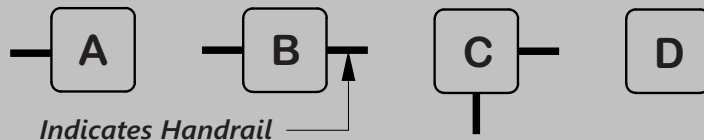
42"

48"

52"

RAIL CONNECTION TYPES

Specify rail connection type when ordering



Indicates Handrail

Part-ID	Size	Height	Oak		Birch		Maple	
			Av	Stk	Av	Stk	Av	Stk
P-6524	4"	42"	✓		✓		✓	
P-6525	4"	48"	✓		✓		✓	
P-6526	4"	52"	✓		✓		✓	
P-6534	4 1/2"	42"	✓		✓		✓	
P-6535	4 1/2"	48"	✓		✓		✓	
P-6536	4 1/2"	52"	✓		✓		✓	
P-6544	5"	42"	✓		✓		✓	
P-6545	5"	48"	✓		✓		✓	
P-6546	5"	52"	✓		✓		✓	

Note: Post base is 1 1/2" larger than post size.

All dimensions are nominal.

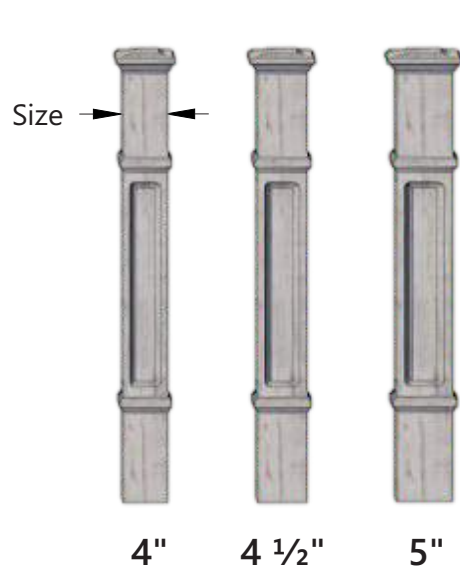
P-SERIES NEWEL POSTS

Royal



P-7044 Shown

SIZES



HEIGHTS



Part-ID	Size	Height	Oak		Birch		Maple	
			Av	Stk	Av	Stk	Av	Stk
P-7024	4"	42"	✓		✓		✓	
P-7025	4"	48"	✓		✓		✓	
P-7026	4"	52"	✓		✓		✓	
P-7034	4 1/2"	42"	✓		✓		✓	
P-7035	4 1/2"	48"	✓		✓		✓	
P-7036	4 1/2"	52"	✓		✓		✓	
P-7044	5"	42"	✓		✓		✓	
P-7045	5"	48"	✓		✓		✓	
P-7046	5"	52"	✓		✓		✓	

Note: All dimensions are nominal.

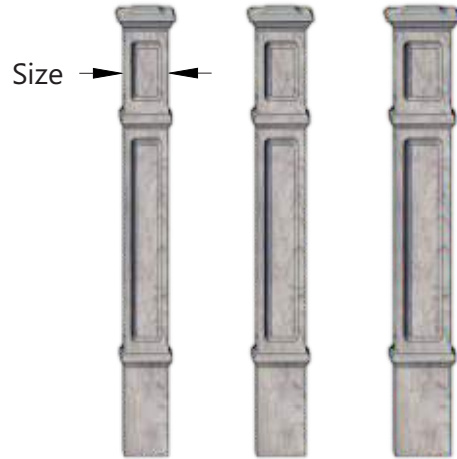
P-SERIES NEWEL POSTS

Royal Top Panel



P-7244 Shown

SIZES



4" 4 1/2" 5"

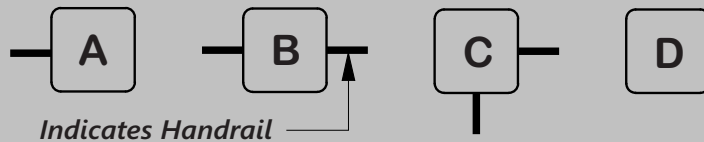
HEIGHTS



42" 48" 52"

RAIL CONNECTION TYPES

Specify rail connection type when ordering



Part-ID	Size	Height	Oak		Birch		Maple	
			Av	Stk	Av	Stk	Av	Stk
P-7224	4"	42"	✓		✓		✓	
P-7225	4"	48"	✓		✓		✓	
P-7226	4"	52"	✓		✓		✓	
P-7234	4 1/2"	42"	✓		✓		✓	
P-7235	4 1/2"	48"	✓		✓		✓	
P-7236	4 1/2"	52"	✓		✓		✓	
P-7244	5"	42"	✓		✓		✓	
P-7245	5"	48"	✓		✓		✓	
P-7246	5"	52"	✓		✓		✓	

Note: All dimensions are nominal.

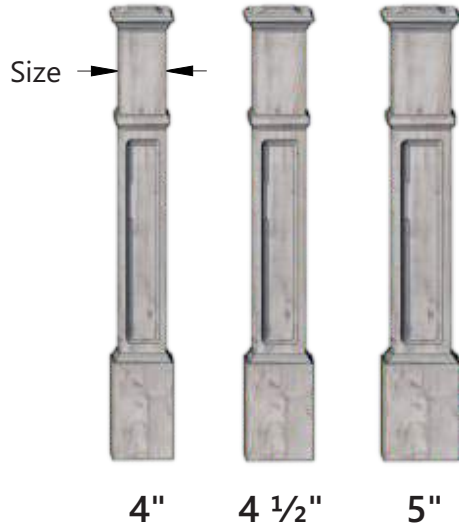
P-SERIES NEWEL POSTS

Royal With Base



P-7444 Shown

SIZES



4" 4 1/2" 5"

HEIGHTS



42" 48" 52"

Part-ID	Size	Height	Oak		Birch		Maple	
			Av	Stk	Av	Stk	Av	Stk
P-7424	4"	42"	✓		✓		✓	
P-7425	4"	48"	✓		✓		✓	
P-7426	4"	52"	✓		✓		✓	
P-7434	4 1/2"	42"	✓		✓		✓	
P-7435	4 1/2"	48"	✓		✓		✓	
P-7436	4 1/2"	52"	✓		✓		✓	
P-7444	5"	42"	✓		✓		✓	
P-7445	5"	48"	✓		✓		✓	
P-7446	5"	52"	✓		✓		✓	

Note: Post base is 1 1/2" larger than post size.
All dimensions are nominal.

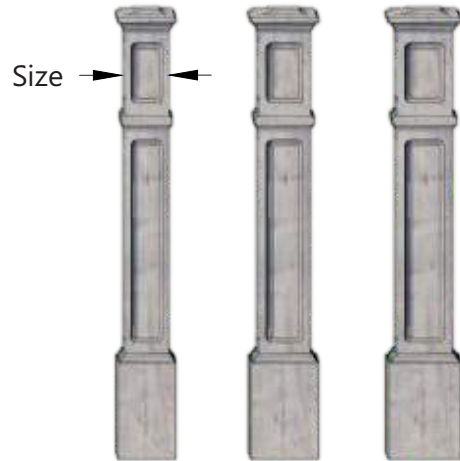
P-SERIES NEWEL POSTS

Royal Top Panel With Base



P-7544 Shown

SIZES



4" 4 1/2" 5"

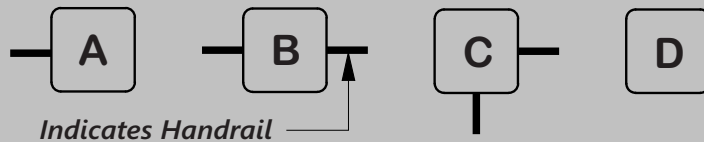
HEIGHTS



42" 48" 52"

RAIL CONNECTION TYPES

Specify rail connection type when ordering



Part-ID	Size	Height	Oak		Birch		Maple	
			Av	Stk	Av	Stk	Av	Stk
P-7524	4"	42"	✓		✓		✓	
P-7525	4"	48"	✓		✓		✓	
P-7526	4"	52"	✓		✓		✓	
P-7534	4 1/2"	42"	✓		✓		✓	
P-7535	4 1/2"	48"	✓		✓		✓	
P-7536	4 1/2"	52"	✓		✓		✓	
P-7544	5"	42"	✓		✓		✓	
P-7545	5"	48"	✓		✓		✓	
P-7546	5"	52"	✓		✓		✓	

Note: Post base is 1 1/2" larger than post size.
All dimensions are nominal.

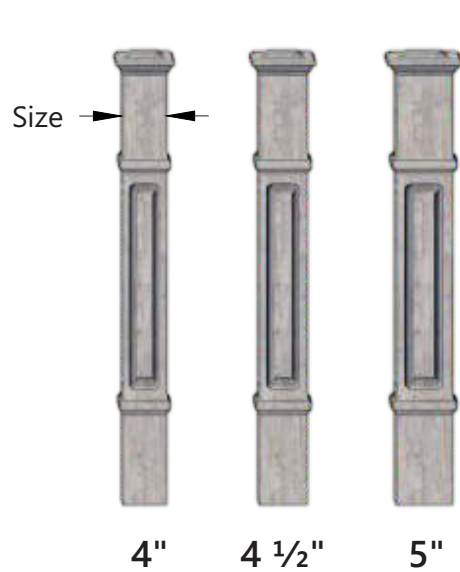
P-SERIES NEWEL POSTS

Legacy

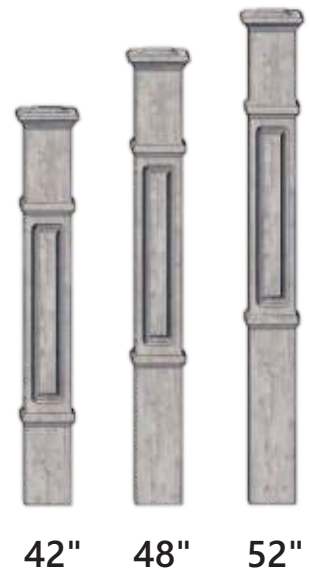


P-8044 Shown

SIZES



HEIGHTS



Part-ID	Size	Height	Oak		Birch		Maple	
			Av	Stk	Av	Stk	Av	Stk
P-8024	4"	42"	✓		✓		✓	
P-8025	4"	48"	✓		✓		✓	
P-8026	4"	52"	✓		✓		✓	
P-8034	4 1/2"	42"	✓		✓		✓	
P-8035	4 1/2"	48"	✓		✓		✓	
P-8036	4 1/2"	52"	✓		✓		✓	
P-8044	5"	42"	✓		✓		✓	
P-8045	5"	48"	✓		✓		✓	
P-8046	5"	52"	✓		✓		✓	

Note: All dimensions are nominal.

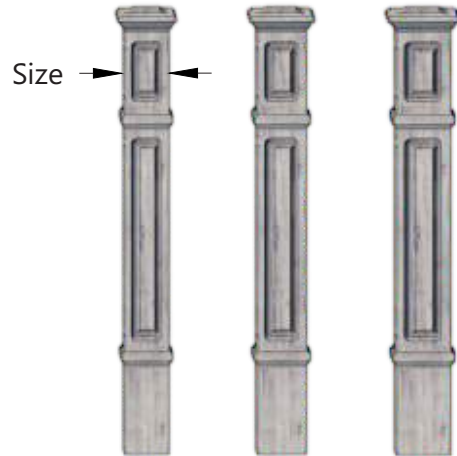
P-SERIES NEWEL POSTS

Legacy Top Panel



P-8244 Shown

SIZES



4" 4 1/2" 5"

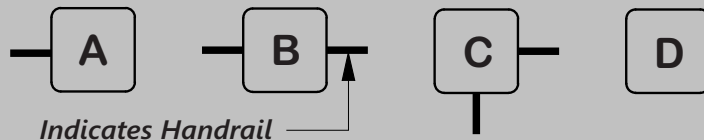
HEIGHTS



42" 48" 52"

RAIL CONNECTION TYPES

Specify rail connection type when ordering



Part-ID	Size	Height	Oak		Birch		Maple	
			Av	Stk	Av	Stk	Av	Stk
P-8224	4"	42"	✓		✓		✓	
P-8225	4"	48"	✓		✓		✓	
P-8226	4"	52"	✓		✓		✓	
P-8234	4 1/2"	42"	✓		✓		✓	
P-8235	4 1/2"	48"	✓		✓		✓	
P-8236	4 1/2"	52"	✓		✓		✓	
P-8244	5"	42"	✓		✓		✓	
P-8245	5"	48"	✓		✓		✓	
P-8246	5"	52"	✓		✓		✓	

Note: All dimensions are nominal.

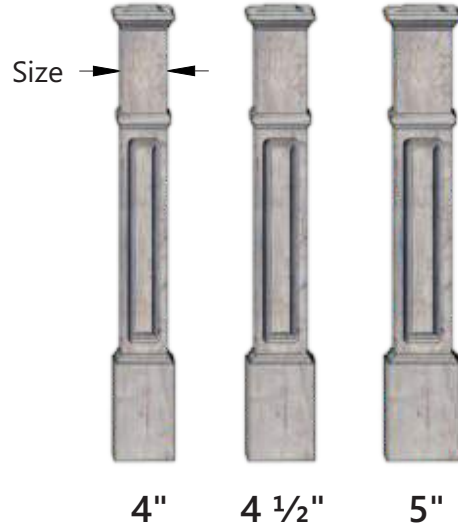
P-SERIES NEWEL POSTS

Legacy With Base



P-8444 Shown

SIZES



HEIGHTS



Part-ID	Size	Height	Oak		Birch		Maple	
			Av	Stk	Av	Stk	Av	Stk
P-8424	4"	42"	✓		✓		✓	
P-8425	4"	48"	✓		✓		✓	
P-8426	4"	52"	✓		✓		✓	
P-8434	4 ½"	42"	✓		✓		✓	
P-8435	4 ½"	48"	✓		✓		✓	
P-8436	4 ½"	52"	✓		✓		✓	
P-8444	5"	42"	✓		✓		✓	
P-8445	5"	48"	✓		✓		✓	
P-8446	5"	52"	✓		✓		✓	

Note: Post base is 1 ½" larger than post size.
All dimensions are nominal.

Legacy Top Panel With Base Post (P-8534) in Birch. Shown with H-550 Handrail and Cabot Balusters (Q-1222).



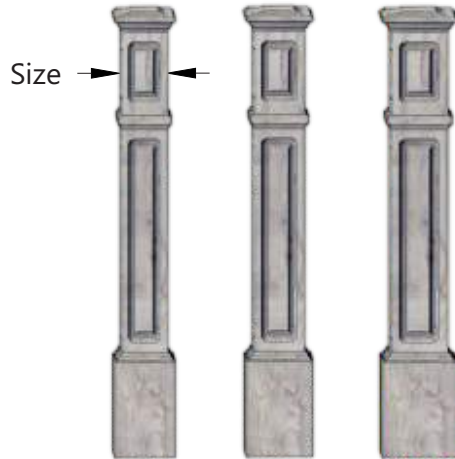
P-SERIES NEWEL POSTS

Legacy Top Panel With Base



P-8544 Shown

SIZES



4" 4 1/2" 5"

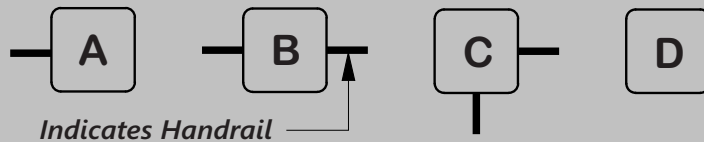
HEIGHTS



42" 48" 52"

RAIL CONNECTION TYPES

Specify rail connection type when ordering



Part-ID	Size	Height	Oak		Birch		Maple	
			Av	Stk	Av	Stk	Av	Stk
P-8524	4"	42"	✓		✓		✓	
P-8525	4"	48"	✓		✓		✓	
P-8526	4"	52"	✓		✓		✓	
P-8534	4 1/2"	42"	✓		✓		✓	
P-8535	4 1/2"	48"	✓		✓		✓	
P-8536	4 1/2"	52"	✓		✓		✓	
P-8544	5"	42"	✓		✓		✓	
P-8545	5"	48"	✓		✓		✓	
P-8546	5"	52"	✓		✓		✓	

Note: Post base is 1 1/2" larger than post size.
All dimensions are nominal.

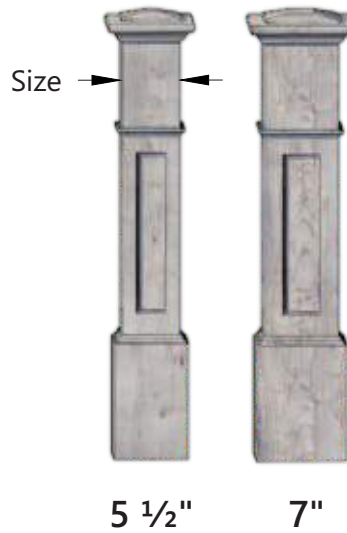
P-SERIES NEWEL POSTS

Craftsman



P-9054 Shown

SIZES



HEIGHTS



Part-ID	Size	Height	Oak		Birch		Maple	
			Av	Stk	Av	Stk	Av	Stk
P-9054	5 1/2"	42"	✓		✓		✓	
P-9055	5 1/2"	48"	✓		✓		✓	
P-9056	5 1/2"	52"	✓		✓		✓	
P-9074	7"	42"	✓		✓		✓	
P-9075	7"	48"	✓		✓		✓	
P-9076	7"	52"	✓		✓		✓	

Note: Post base is 1 1/2" larger than post size.
All dimensions are nominal.

Craftsman Top Panel Post (P-9155) in Birch. Shown with H-600 Handrail and Cabaret Balusters (Q-3223).



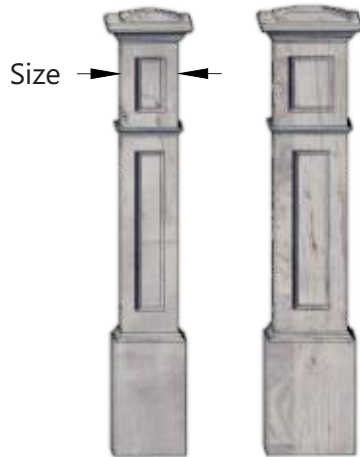
P-SERIES NEWEL POSTS

Craftsman Top Panel



P-9154 Shown

SIZES



5 1/2"

7"

HEIGHTS



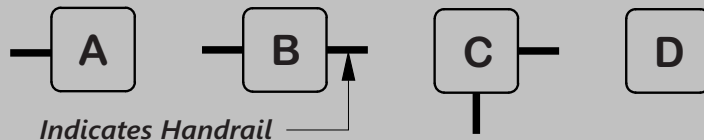
42"

48"

52"

RAIL CONNECTION TYPES

Specify rail connection type when ordering



Part-ID	Size	Height	Oak		Birch		Maple	
			Av	Stk	Av	Stk	Av	Stk
P-9154	5 1/2"	42"	✓		✓		✓	
P-9155	5 1/2"	48"	✓		✓		✓	
P-9156	5 1/2"	52"	✓		✓		✓	
P-9174	7"	42"	✓		✓		✓	
P-9175	7"	48"	✓		✓		✓	
P-9176	7"	52"	✓		✓		✓	

Note: Post base is 1 1/2" larger than post size.
All dimensions are nominal.

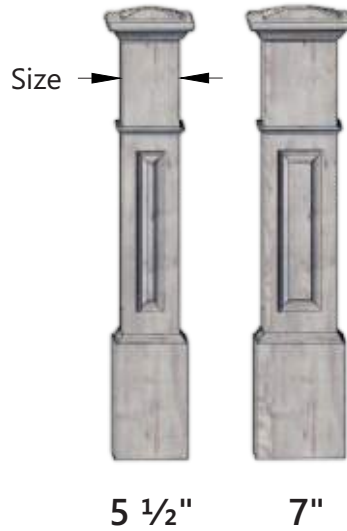
P-SERIES NEWEL POSTS

Craftsman Raised Panel



P-9254 Shown

SIZES



5 1/2"

7"

HEIGHTS



42"

48"

52"

Part-ID	Size	Height	Oak		Birch		Maple	
			Av	Stk	Av	Stk	Av	Stk
P-9254	5 1/2"	42"	✓		✓		✓	
P-9255	5 1/2"	48"	✓		✓		✓	
P-9256	5 1/2"	52"	✓		✓		✓	
P-9274	7"	42"	✓		✓		✓	
P-9275	7"	48"	✓		✓		✓	
P-9276	7"	52"	✓		✓		✓	

Note: Post base is 1 1/2" larger than post size.
All dimensions are nominal.

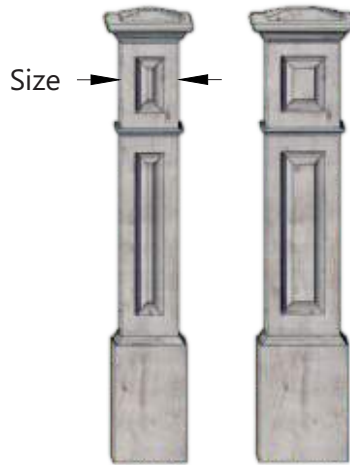
P-SERIES NEWEL POSTS

Craftsman Raised Top Panel



P-9354 Shown

SIZES



5 1/2"

7"

HEIGHTS



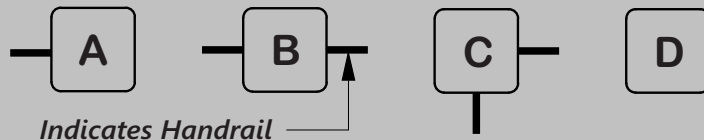
42"

48"

52"

RAIL CONNECTION TYPES

Specify rail connection type when ordering



Part-ID	Size	Height	Oak		Birch		Maple	
			Av	Stk	Av	Stk	Av	Stk
P-9354	5 1/2"	42"	✓		✓		✓	
P-9355	5 1/2"	48"	✓		✓		✓	
P-9356	5 1/2"	52"	✓		✓		✓	
P-9374	7"	42"	✓		✓		✓	
P-9375	7"	48"	✓		✓		✓	
P-9376	7"	52"	✓		✓		✓	

Note: Post base is 1 1/2" larger than post size.
All dimensions are nominal.

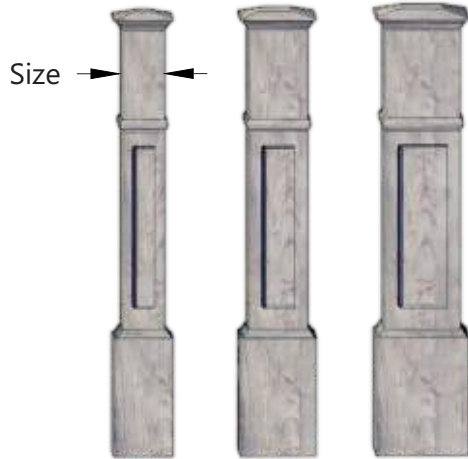
P-SERIES NEWEL POSTS

Toscana



P-9454 Shown

SIZES



4" 5 1/2" 7"

HEIGHTS



42" 48" 52"

Part-ID	Size	Height	Oak		Birch		Maple	
			Av	Stk	Av	Stk	Av	Stk
P-9424	4"	42"	✓		✓		✓	
P-9425	4"	48"	✓		✓		✓	
P-9426	4"	52"	✓		✓		✓	
P-9454	5 1/2"	42"	✓		✓		✓	
P-9455	5 1/2"	48"	✓		✓		✓	
P-9456	5 1/2"	52"	✓		✓		✓	
P-9474	7"	42"	✓		✓		✓	
P-9475	7"	48"	✓		✓		✓	
P-9476	7"	52"	✓		✓		✓	

Note: Post base is 1 1/2" larger than post size.
All dimensions are nominal.

P-SERIES NEWEL POSTS

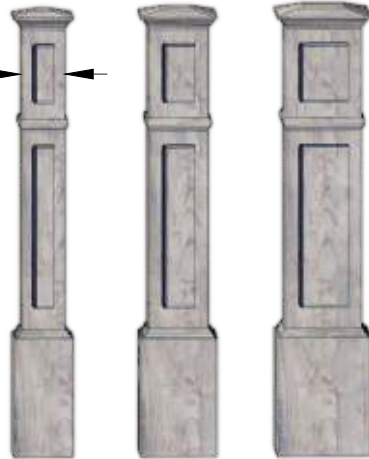
Toscano Top Panel



P-9554 Shown

SIZES

Size →



4" 5 1/2" 7"

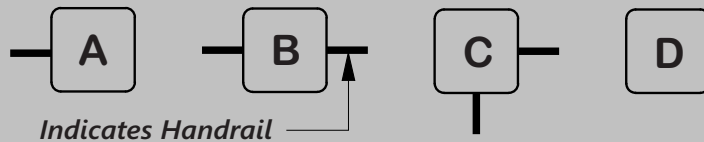
HEIGHTS



42" 48" 52"

RAIL CONNECTION TYPES

Specify rail connection type when ordering



Part-ID	Size	Height	Oak		Birch		Maple	
			Av	Stk	Av	Stk	Av	Stk
P-9524	4"	42"	✓		✓		✓	
P-9525	4"	48"	✓		✓		✓	
P-9526	4"	52"	✓		✓		✓	
P-9554	5 1/2"	42"	✓		✓		✓	
P-9555	5 1/2"	48"	✓		✓		✓	
P-9556	5 1/2"	52"	✓		✓		✓	
P-9574	7"	42"	✓		✓		✓	
P-9575	7"	48"	✓		✓		✓	
P-9576	7"	52"	✓		✓		✓	

Note: Post base is 1 1/2" larger than post size.

All dimensions are nominal.

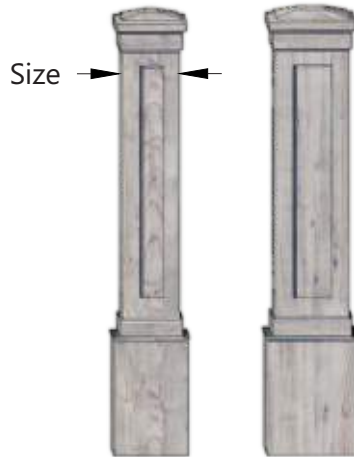
P-SERIES NEWEL POSTS

Renaissance



P-9654 Shown

SIZES



5 1/2"

7"

HEIGHTS



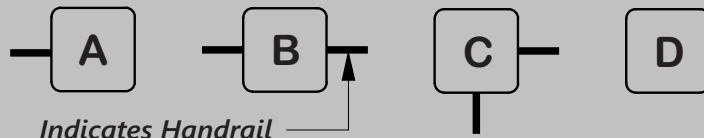
42"

48"

52"

RAIL CONNECTION TYPES

Specify rail connection type when ordering



Part-ID	Size	Height	Oak		Birch		Maple	
			Av	Stk	Av	Stk	Av	Stk
P-9654	5 1/2"	42"	✓		✓		✓	
P-9655	5 1/2"	48"	✓		✓		✓	
P-9656	5 1/2"	52"	✓		✓		✓	
P-9674	7"	42"	✓		✓		✓	
P-9675	7"	48"	✓		✓		✓	
P-9676	7"	52"	✓		✓		✓	

Note: Post base is 1 1/2" larger than post size.
All dimensions are nominal.



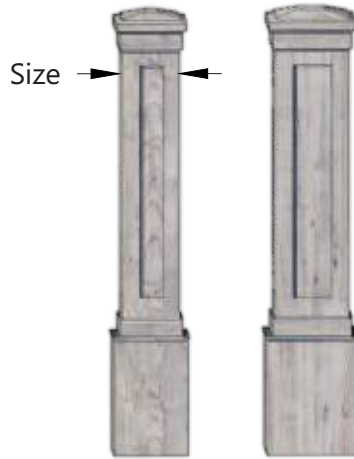
Renaissance Shaker Post (P-9755) in Birch. Shown with H-502 handrail and Noble Balusters (Q-4033).

P-SERIES NEWEL POSTS

Renaissance Shaker



SIZES



5 1/2"

7"

HEIGHTS



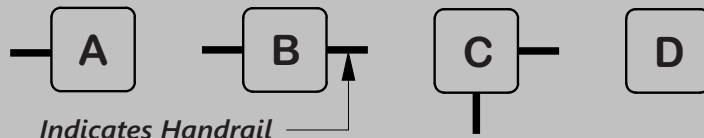
42"

48"

52"

RAIL CONNECTION TYPES

Specify rail connection type when ordering



Indicates Handrail

Part-ID	Size	Height	Oak		Birch		Maple	
			Av	Stk	Av	Stk	Av	Stk
P-9754	5 1/2"	42"	✓		✓		✓	
P-9755	5 1/2"	48"	✓		✓		✓	
P-9756	5 1/2"	52"	✓		✓		✓	
P-9774	7"	42"	✓		✓		✓	
P-9775	7"	48"	✓		✓		✓	
P-9776	7"	52"	✓		✓		✓	

Note: Post base is 1 1/2" larger than post size.
All dimensions are nominal.

P-9754 Shown

Q-SERIES WOOD BALUSTERS

Heritage



Q-1013 Shown

STYLES



ST PT

SIZES



1 1/4" 1 3/4"

HEIGHTS



36" 40" 42"

Part-ID	Style	Size	Height	Oak		Birch		Maple	
				Av	Stk	Av	Stk	Av	Stk
Q-1012	PT	1 1/4"	36"	✓	✓	✓	✓	✓	✓
Q-1013	PT	1 1/4"	40"	✓	✓	✓	✓	✓	✓
Q-1014	PT	1 1/4"	42"	✓		✓		✓	
Q-1022	PT	1 3/4"	36"	✓		✓		✓	
Q-1023	PT	1 3/4"	40"	✓		✓		✓	
Q-1024	PT	1 3/4"	42"	✓		✓		✓	
Q-1032	ST	1 1/4"	36"	✓		✓		✓	
Q-1033	ST	1 1/4"	40"	✓		✓		✓	
Q-1034	ST	1 1/4"	42"	✓		✓		✓	
Q-1042	ST	1 3/4"	36"	✓		✓		✓	
Q-1043	ST	1 3/4"	40"	✓		✓		✓	
Q-1044	ST	1 3/4"	42"	✓		✓		✓	

Note: ST = Square Top, PT = Pencil Top.
 Standard Pencil Top Ø is 3/4".
 All dimensions are nominal.

Q-SERIES WOOD BALUSTERS

Cabot



Q-1223 Shown

STYLES



ST PT

SIZES



Size → ←

1 1/4" 1 3/4"

HEIGHTS



36" 40" 42"

Part-ID	Style	Size	Height	Oak		Birch		Maple	
				Av	Stk	Av	Stk	Av	Stk
Q-1212	PT	1 1/4"	36"	✓		✓		✓	
Q-1213	PT	1 1/4"	40"	✓		✓		✓	
Q-1214	PT	1 1/4"	42"	✓		✓		✓	
Q-1222	PT	1 3/4"	36"	✓		✓		✓	
Q-1223	PT	1 3/4"	40"	✓		✓		✓	
Q-1224	PT	1 3/4"	42"	✓		✓		✓	
Q-1232	ST	1 1/4"	36"	✓		✓		✓	
Q-1233	ST	1 1/4"	40"	✓		✓		✓	
Q-1234	ST	1 1/4"	42"	✓		✓		✓	
Q-1242	ST	1 3/4"	36"	✓		✓		✓	
Q-1243	ST	1 3/4"	40"	✓		✓		✓	
Q-1244	ST	1 3/4"	42"	✓		✓		✓	

Note: ST = Square Top, PT = Pencil Top.
 Standard Pencil Top Ø is 3/4".
 All dimensions are nominal.

Q-SERIES WOOD BALUSTERS

Fluted Cabot



Q-1423 Shown

STYLES



ST PT

SIZES



Size → ←

1 3/4"

HEIGHTS



36" 40" 42"

Part-ID	Style	Size	Height	Oak		Birch		Maple	
				Av	Stk	Av	Stk	Av	Stk
Q-1422	PT	1 3/4"	36"	✓		✓		✓	
Q-1423	PT	1 3/4"	40"	✓		✓		✓	
Q-1424	PT	1 3/4"	42"	✓		✓		✓	
Q-1442	ST	1 3/4"	36"	✓		✓		✓	
Q-1443	ST	1 3/4"	40"	✓		✓		✓	
Q-1444	ST	1 3/4"	42"	✓		✓		✓	

Note: ST = Square Top, PT = Pencil Top.
 Standard Pencil Top Ø is 3/4".
 All dimensions are nominal.

Tapered King Spindles (Q-2242 and Q-2243)



Q-SERIES WOOD BALUSTERS

King / Tapered King



Q-2023 Shown

Q-2243 Shown

STYLES



ST PT

SIZES



Size → ←

1 3/4"

HEIGHTS



36" 40" 42"

				Oak		Birch		Maple	
Part-ID	Style	Size	Height	Av	Stk	Av	Stk	Av	Stk
King	Q-2022	PT	1 3/4"	36"	✓		✓		✓
	Q-2023	PT	1 3/4"	40"	✓		✓		✓
	Q-2024	PT	1 3/4"	42"	✓		✓		✓
	Q-2042	ST	1 3/4"	36"	✓		✓		✓
Tapered King	Q-2043	ST	1 3/4"	40"	✓		✓		✓
	Q-2044	ST	1 3/4"	42"	✓		✓		✓
	Q-2222	PT	1 3/4"	36"	✓		✓		✓
	Q-2223	PT	1 3/4"	40"	✓		✓		✓
	Q-2224	PT	1 3/4"	42"	✓		✓		✓
	Q-2242	ST	1 3/4"	36"	✓		✓		✓
	Q-2243	ST	1 3/4"	40"	✓		✓		✓
	Q-2244	ST	1 3/4"	42"	✓		✓		✓

Note: ST = Square Top, PT = Pencil Top.
 Standard Pencil Top Ø is 3/4".
 All dimensions are nominal.

Q-SERIES WOOD BALUSTERS

Fluted King



Q-2443 Shown

STYLES



ST PT

SIZES



Size → ←

1 3/4"

HEIGHTS



36" 40" 42"

Part-ID	Style	Size	Height	Oak		Birch		Maple	
				Av	Stk	Av	Stk	Av	Stk
Q-2422	PT	1 3/4"	36"	✓		✓		✓	
Q-2423	PT	1 3/4"	40"	✓		✓		✓	
Q-2424	PT	1 3/4"	42"	✓		✓		✓	
Q-2442	ST	1 3/4"	36"	✓		✓		✓	
Q-2443	ST	1 3/4"	40"	✓		✓		✓	
Q-2444	ST	1 3/4"	42"	✓		✓		✓	

Note: ST = Square Top, PT = Pencil Top.
 Standard Pencil Top Ø is 3/4".
 All dimensions are nominal.

Q-SERIES WOOD BALUSTERS

Barrel



Q-1642 Shown

STYLES



ST

SIZES



1 1/4" 1 3/4"

HEIGHTS



36" 40" 42"

Part-ID	Style	Size	Height	Oak		Birch		Maple	
				Av	Stk	Av	Stk	Av	Stk
Q-1632	ST	1 1/4"	36"	✓		✓		✓	
Q-1633	ST	1 1/4"	40"	✓		✓		✓	
Q-1634	ST	1 1/4"	42"	✓		✓		✓	
Q-1642	ST	1 3/4"	36"	✓		✓		✓	
Q-1643	ST	1 3/4"	40"	✓		✓		✓	
Q-1644	ST	1 3/4"	42"	✓		✓		✓	

Note: ST = Square Top, PT = Pencil Top.
All dimensions are nominal.

Q-SERIES WOOD BALUSTERS

Regency



Q-2623 Shown

STYLES



ST PT

SIZES



Size → ←

1 1/4" 1 3/4"

HEIGHTS



36" 40" 42"

Part-ID	Style	Size	Height	Oak		Birch		Maple	
				Av	Stk	Av	Stk	Av	Stk
Q-2612	PT	1 1/4"	36"	✓		✓		✓	
Q-2613	PT	1 1/4"	40"	✓		✓		✓	
Q-2614	PT	1 1/4"	42"	✓		✓		✓	
Q-2622	PT	1 3/4"	36"	✓		✓		✓	
Q-2623	PT	1 3/4"	40"	✓		✓		✓	
Q-2624	PT	1 3/4"	42"	✓		✓		✓	
Q-2632	ST	1 1/4"	36"	✓		✓		✓	
Q-2633	ST	1 1/4"	40"	✓		✓		✓	
Q-2634	ST	1 1/4"	42"	✓		✓		✓	
Q-2642	ST	1 3/4"	36"	✓		✓		✓	
Q-2643	ST	1 3/4"	40"	✓		✓		✓	
Q-2644	ST	1 3/4"	42"	✓		✓		✓	

Note: ST = Square Top, PT = Pencil Top.

Standard Pencil Top Ø is 3/4".

All dimensions are nominal.

Q-SERIES WOOD BALUSTERS

Reeded Regency



Q-2843 Shown

STYLES



ST PT

SIZES



Size → ←

1 3/4"

HEIGHTS



36" 40" 42"

Part-ID	Style	Size	Height	Oak		Birch		Maple	
				Av	Stk	Av	Stk	Av	Stk
Q-2822	PT	1 3/4"	36"	✓		✓		✓	
Q-2823	PT	1 3/4"	40"	✓		✓		✓	
Q-2824	PT	1 3/4"	42"	✓		✓		✓	
Q-2842	ST	1 3/4"	36"	✓		✓		✓	
Q-2843	ST	1 3/4"	40"	✓		✓		✓	
Q-2844	ST	1 3/4"	42"	✓		✓		✓	

Note: ST = Square Top, PT = Pencil Top.
 Standard Pencil Top Ø is 3/4".
 All dimensions are nominal.

Q-SERIES WOOD BALUSTERS

Cabaret



Q-3042 Shown

Q-3022 Shown

STYLES



SB RB

SIZES



1 1/4" 1 3/4"

HEIGHTS



36" 40" 42"

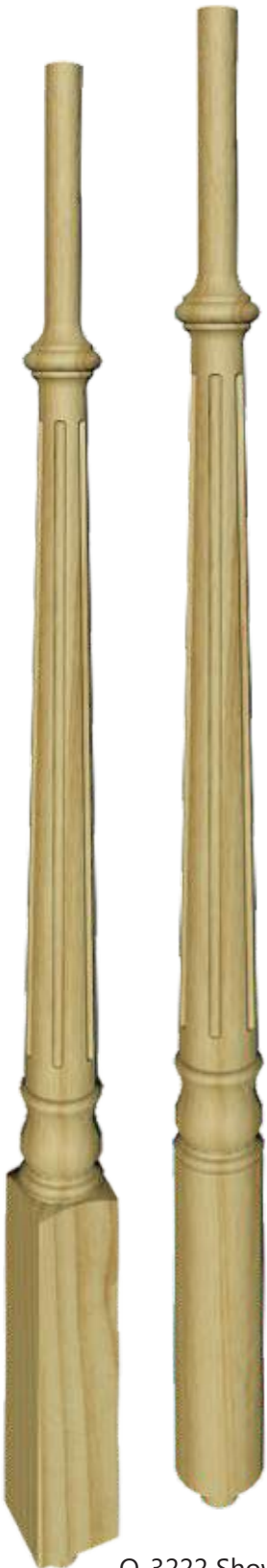
Cabaret Balusters Are Available As Pencil Tops Only

Part-ID	Style	Size	Height	Oak		Birch		Maple	
				Av	Stk	Av	Stk	Av	Stk
Q-3012	SB	1 1/4"	36"	✓		✓		✓	
Q-3013	SB	1 1/4"	40"	✓		✓		✓	
Q-3014	SB	1 1/4"	42"	✓		✓		✓	
Q-3022	SB	1 3/4"	36"	✓		✓		✓	
Q-3023	SB	1 3/4"	40"	✓		✓		✓	
Q-3023	SB	1 3/4"	40"	✓		✓		✓	
Q-3032	RB	1 1/4"	36"	✓		✓		✓	
Q-3033	RB	1 1/4"	40"	✓		✓		✓	
Q-3034	RB	1 1/4"	42"	✓		✓		✓	
Q-3042	RB	1 3/4"	36"	✓		✓		✓	
Q-3043	RB	1 3/4"	40"	✓		✓		✓	
Q-3044	RB	1 3/4"	42"	✓		✓		✓	

Note: SB = Square Bottom, RB = Round Bottom.
 Standard Pencil Top Ø is 3/4".
 All dimensions are nominal.

Q-SERIES WOOD BALUSTERS

Fluted Cabaret



Q-3242 Shown

Q-3222 Shown

STYLES



SB RB

SIZES



Size → ←

1 3/4"

HEIGHTS



36" 40" 42"

Cabaret Balusters Are Available As Pencil Tops Only

Part-ID	Style	Size	Height	Oak		Birch		Maple	
				Av	Stk	Av	Stk	Av	Stk
Q-3222	SB	1 3/4"	36"	✓		✓		✓	
Q-3223	SB	1 3/4"	40"	✓		✓		✓	
Q-3224	SB	1 3/4"	42"	✓		✓		✓	
Q-3242	RB	1 3/4"	36"	✓		✓		✓	
Q-3243	RB	1 3/4"	40"	✓		✓		✓	
Q-3244	RB	1 3/4"	42"	✓		✓		✓	

Note: SB = Square Bottom, RB = Round Bottom.
 Standard Pencil Top Ø is 3/4".
 All dimensions are nominal.

Q-SERIES WOOD BALUSTERS

Candlestick



Q-3823 Shown

STYLES



PT

SIZES



Size → ←

1 1/4" 1 3/4"

HEIGHTS



36" 40" 42"

Part-ID	Style	Size	Height	Oak		Birch		Maple	
				Av	Stk	Av	Stk	Av	Stk
Q-3812	PT	1 1/4"	36"	✓		✓		✓	
Q-3813	PT	1 1/4"	40"	✓		✓		✓	
Q-3814	PT	1 1/4"	42"	✓		✓		✓	
Q-3822	PT	1 3/4"	36"	✓		✓		✓	
Q-3823	PT	1 3/4"	40"	✓		✓		✓	
Q-3824	PT	1 3/4"	42"	✓		✓		✓	

Note: ST = Square Top, PT = Pencil Top.
 Standard Pencil Top Ø is 3/4".
 All dimensions are nominal.

Q-SERIES WOOD BALUSTERS

Noble



Q-4023 Shown

STYLES



ST PT

SIZES



1 1/4" 1 3/4"

HEIGHTS



36" 40" 42"

Part-ID	Style	Size	Height	Oak		Birch		Maple	
				Av	Stk	Av	Stk	Av	Stk
Q-4012	PT	1 1/4"	36"	✓	✓	✓	✓	✓	✓
Q-4013	PT	1 1/4"	40"	✓	✓	✓	✓	✓	✓
Q-4014	PT	1 1/4"	42"	✓		✓		✓	
Q-4022	PT	1 3/4"	36"	✓		✓		✓	
Q-4023	PT	1 3/4"	40"	✓		✓		✓	
Q-4024	PT	1 3/4"	42"	✓		✓		✓	
Q-4032	ST	1 1/4"	36"	✓	✓	✓	✓	✓	✓
Q-4033	ST	1 1/4"	40"	✓	✓	✓	✓	✓	✓
Q-4034	ST	1 1/4"	42"	✓		✓		✓	
Q-4042	ST	1 3/4"	36"	✓		✓		✓	
Q-4043	ST	1 3/4"	40"	✓		✓		✓	
Q-4044	ST	1 3/4"	42"	✓		✓		✓	

Note: ST = Square Top, PT = Pencil Top.
 Standard Pencil Top Ø is 3/4".
 All dimensions are nominal.

Q-SERIES WOOD BALUSTERS

Fluted Noble



STYLES



ST PT

SIZES



Size → ←

1 1/4" 1 3/4"

HEIGHTS



36" 40" 42"

Part-ID	Style	Size	Height	Oak		Birch		Maple	
				Av	Stk	Av	Stk	Av	Stk
Q-4212	PT	1 1/4"	36"	✓	✓	✓	✓	✓	✓
Q-4213	PT	1 1/4"	40"	✓	✓	✓	✓	✓	✓
Q-4214	PT	1 1/4"	42"	✓		✓		✓	
Q-4222	PT	1 3/4"	36"	✓		✓		✓	
Q-4223	PT	1 3/4"	40"	✓		✓		✓	
Q-4224	PT	1 3/4"	42"	✓		✓		✓	
Q-4232	ST	1 1/4"	36"	✓	✓	✓	✓	✓	✓
Q-4233	ST	1 1/4"	40"	✓	✓	✓	✓	✓	✓
Q-4234	ST	1 1/4"	42"	✓		✓		✓	
Q-4242	ST	1 3/4"	36"	✓		✓		✓	
Q-4243	ST	1 3/4"	40"	✓		✓		✓	
Q-4244	ST	1 3/4"	42"	✓		✓		✓	

Note: ST = Square Top, PT = Pencil Top.
 Standard Pencil Top Ø is 3/4".
 All dimensions are nominal.

Q-4243 Shown



www.4Devo.com

*Software & Database Engineering
Enhanced Website Design
Mobile App Development
Photo Grading & Touch-Up
Architectural Rendering & Design
Animated & Graphical Advertising
Full Marketing Strategies
Professional Consultation*

Sean Mills, AET

Tel: (709) 781-1095

Cell: (709) 764-7103

Email: info@4Devo.com

New Wood MANUFACTURERS INC.

Contact Information

New Wood Manufacturers Inc.

369 JW Pickersgill Blvd

PO Box 69

Centreville NL A0G 4P0

General Inquiries:

Tel: (709) 678-2755

Fax: (709) 678-2458

noblemouldings@gmail.com

Hours of Operation

8:30 AM - 5:00 PM EST Monday to Thursday

8:30 AM - 4:30 PM EST Friday



NOBLE

Mouldings And Turnings

www.noblemouldings.com