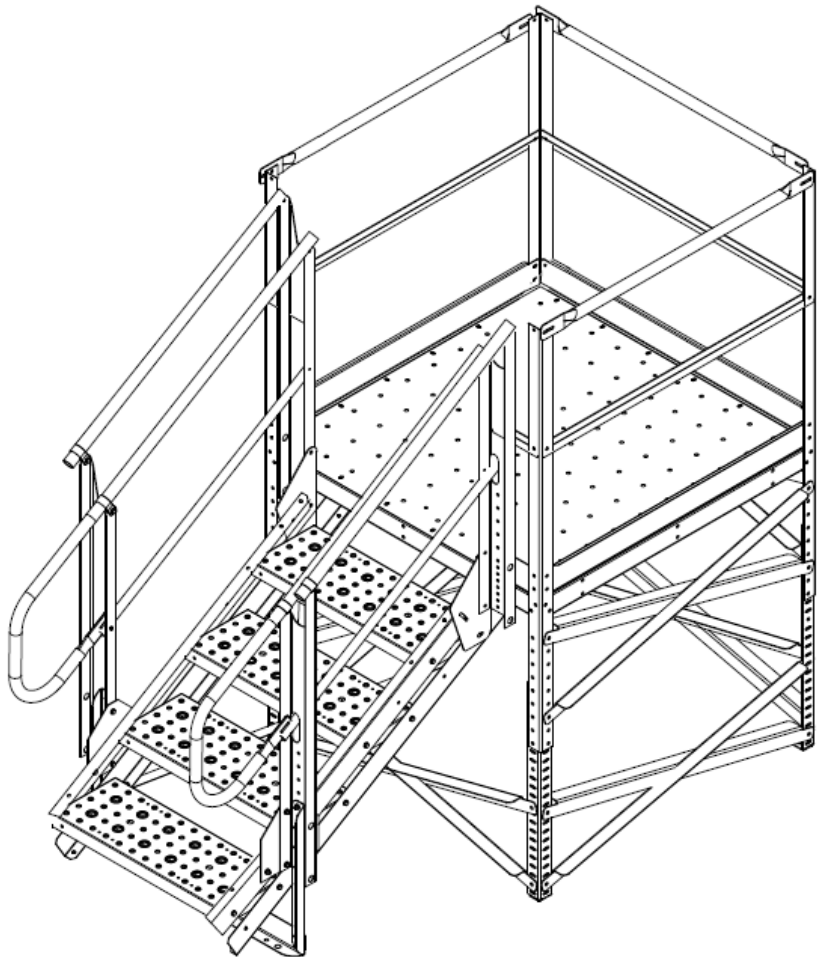


A-Series

Landing with Variable Stair

- Designed in accordance with the following safety regulations: OSHA, ASA, ANSI, NFPA, AS1657-2003
- 6 size ranges allow for landing height between 12" & 57"
- Stairs can run between 30° and 45°
- Can add additional entry sections to enable entry/exit from multiple sides
- 1 1/2" Round Handrail ensure a secure and stable grip



A-Series Landing with Variable Stair



Greene Galvanized Stairs
41774 Main Street; PO Box 191
East Lynn IL 60932
Phone: 217-375-4244 Fax: 217-375-4245
Web: www.greenestairs.com

GREENE
GALVANIZED STAIRS