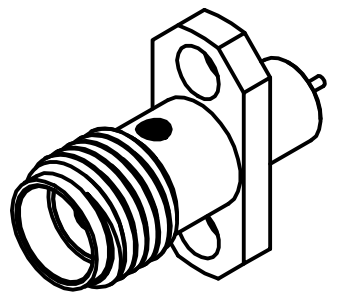
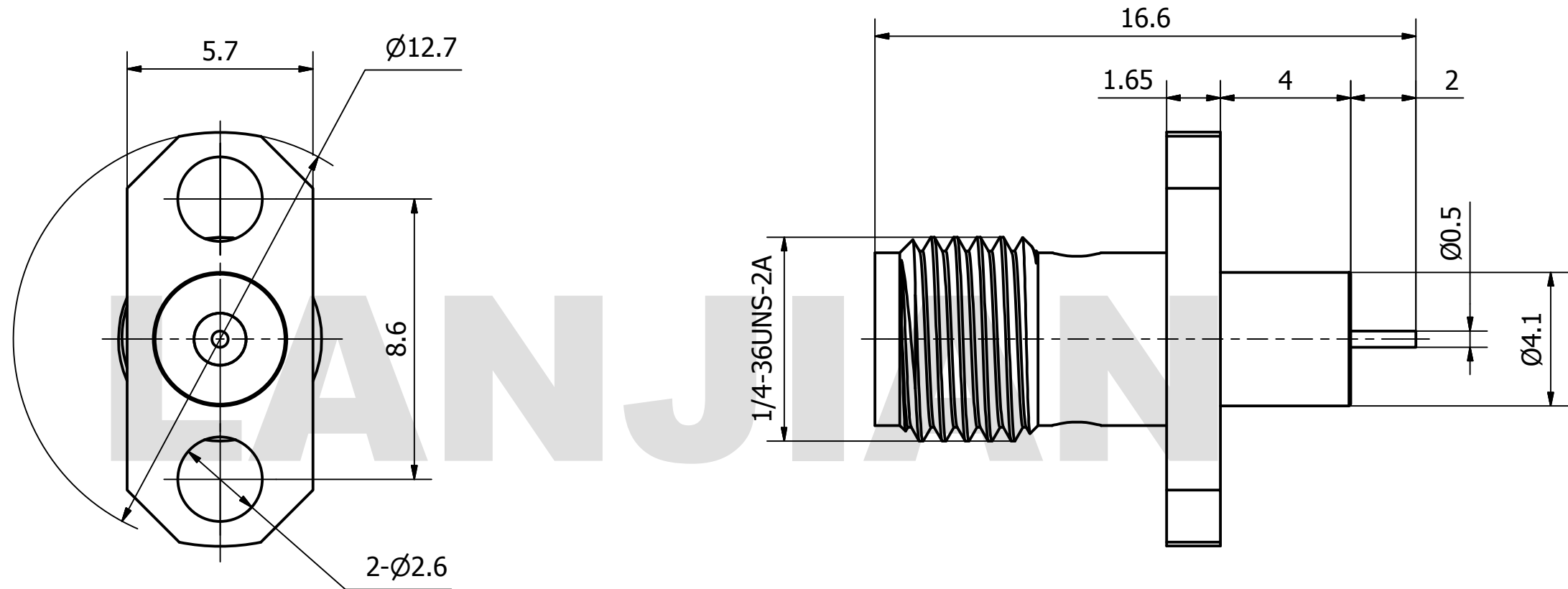


# PRODUCT DATA SHEET



**MATERIAL:**  
**BODY:** BRASS,  
 ALLOY NO. C37710  
**CONTACT:** BERYLLIUM COPPER PER ASTM B196.  
 ALLOY NO. UNS C17300  
**INSULATOR:** PTFE PER ASTM D1710

**PERFORMANCE:**  
**IMPEDANCE:** 50 OHMS  
**FREQUENCY:** 0 TO 6 GHz  
**VSWR:** ≤1.15

THIS DOCUMENT CONTAINS CONFIDENTIAL AND PROPRIETARY INFORMATION THAT CANNOT BE REPRODUCED OR DIVULGED, IN WHOLE OR IN PART, WITHOUT WRITTEN AUTHORIZATION FROM "LANJIAN ELECTRONICS"	MATERIAL :			38 Hengtong Road, Xinqu Dingmao Zhenjiang, 212009, Jiangsu, P. R. China
	UNLESS OTHERWISE SPECIFIED: DIMENSIONS IN MM			
	TOLERANCES :			
	X.X ±0.20	ANGULAR : ±1°	DEBURR AND	
	X.XX ±0.10	FILLETS R/C : ±0.10	BREAK SHARP	
	X.XXX ±0.01	SURFACE FINISH : Ra 1.6	EDGES	
DRAWN	NAME	DATE	SIGNATURE	<b>SMA-KFD2-127050P-2.0</b> straight micro-strip connector
CHK'D				
APPV'D				
MFG				
PROJECTION	SIZE	SCALE		DWG No.
	A3	6 : 1		REV.
DO NOT SCALE THE DRAWING				PAGE 1 / 1