



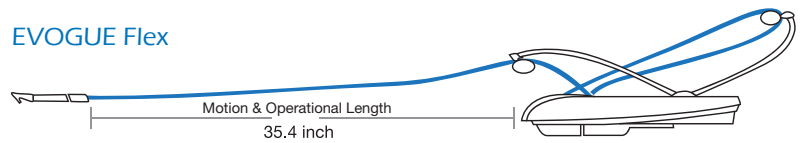
EVOGUE Flex
Continental Delivery System



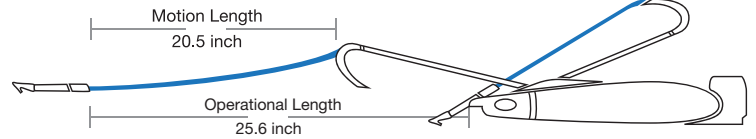
EVOGUE Flex Delivery System

Take control of your procedural set up with the Evogue Flex. This delivery unit's innovative design is placed off of the centerline of the patient, mimicking traditional delivery or trans-thorax. The Evogue Flex also combines a flexible pulley system and pivoting doctor table allowing doctors to practice from an industry leading range. Doctors gain greater motion length of upto 72% and an increase of over 38% in operational length. This allows for a longer reach, leading to less physical wear and tear on the body.

EVOGUE Flex



Competitor



Reduced wrist movement resistance



EVOGUE Flex Delivery System

Designed to be as ergonomically sound as possible, the Evogue Flex's customizable style allows you pull, hold, and store your delivery unit in its desired position, letting doctors determine what is most comfortable for their workflow. It's crafted with adjustable tension rod technology that allow the handpiece to reach nearly zero gravity. This means that doctors won't have to twist, bend, and stretch to reach for their tools, helping procedures run more smoothly and reducing doctors' physical pain. The Evogue Flex also has detachable pieces for more accessible cleaning, keeping your operatory as sanitary as possible.

Deliver great results with this delivery system.

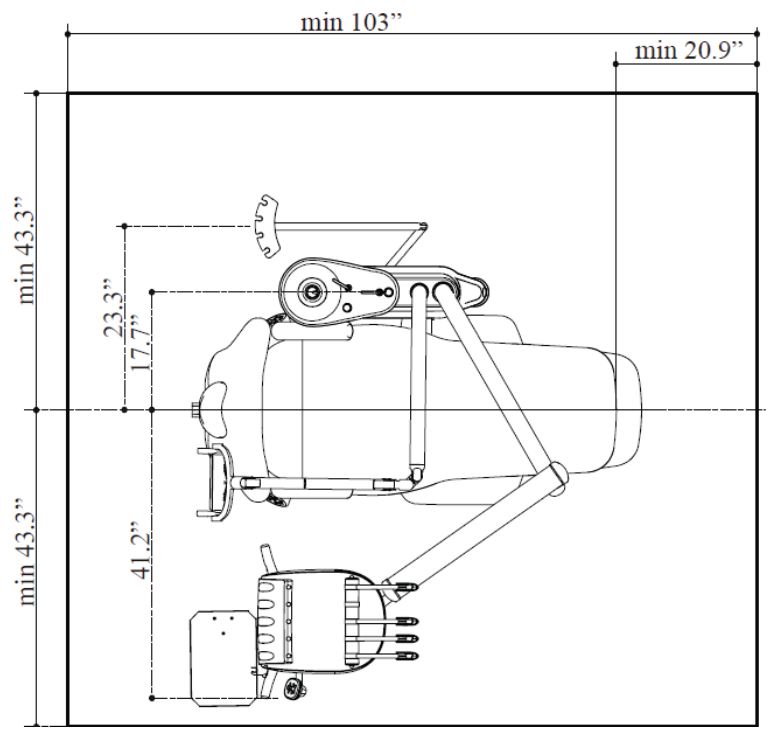
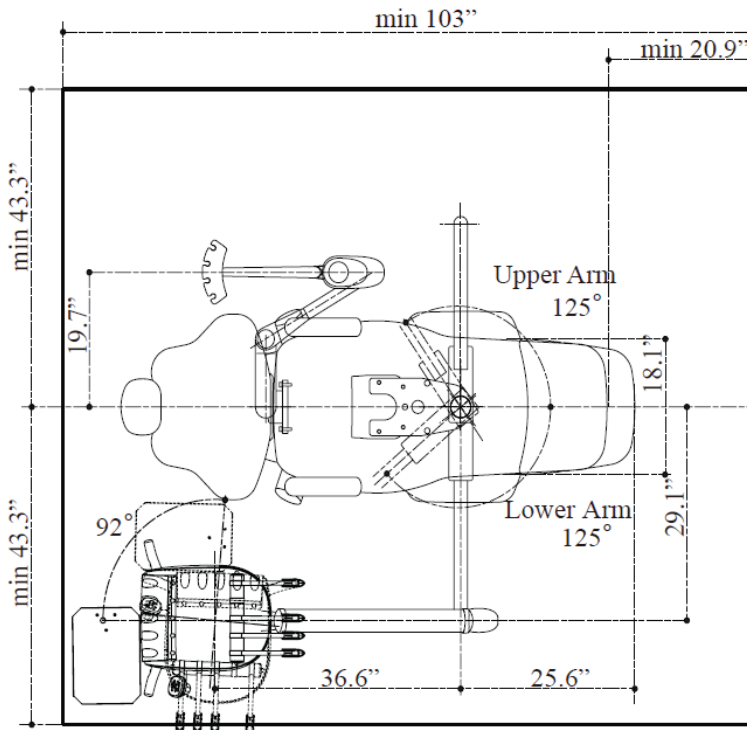
- Enjoy a traditional or continental set up with the Evogue Flex's rotating unit head
- The Evogue Flex's pulley system allows doctors to enjoy a freer range of movement
- The Evogue Flex's hand piece can be customized for weight, reducing strain on doctors and the unit itself



EVOGUE Flex Swing Mounted



EVOGUE Flex Over The Patient



Belmont Equipment
 101 Belmont Drive
 Somerset, NJ 08873
 (800) 223-1192
www.belmontequip.com

Belmont
 Delivering Value in Quality

@BelmontEquipUS

