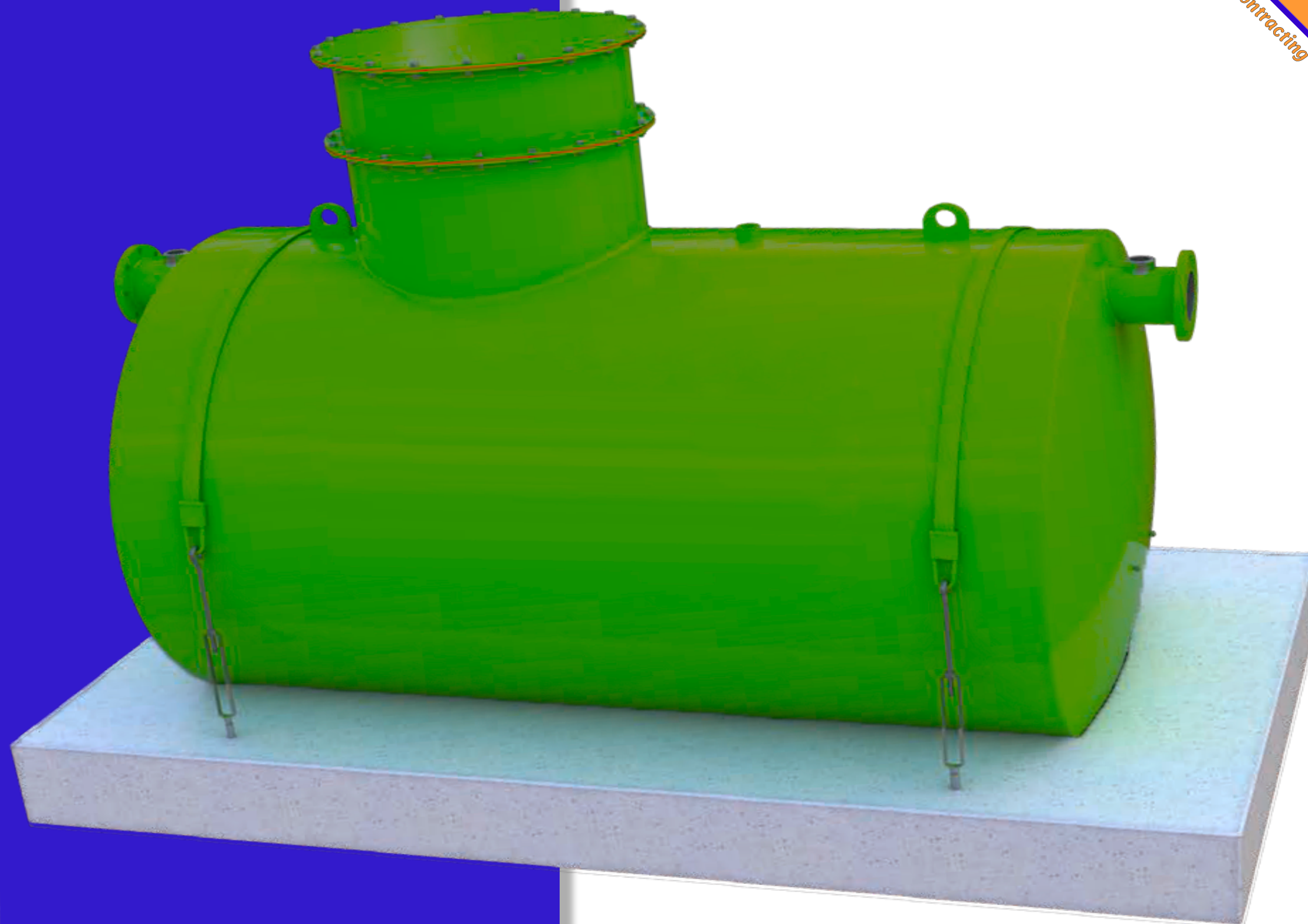


# OIL & SAND INTERCEPTORS



# GENERAL DESCRIPTION

**Basiia Contracting** Oil & Sand Interceptor (OSI) is a wastewater treatment tank designed to intercept and collect sand, grit, free-oil and grease (hydrocarbons and other petroleum products) and prevent their entry into the sanitary sewer system.

Designed to accept gravity flow, the interceptor's large volume allows for a lengthy retention time for sand, grit, free oil and grease to separate from the water due to their differences in specific gravity.

The interceptor contains one to four compartments (basins) where oil separates and floats to the surface, while sand and grit settle to the bottom sludge baffle. The clearer water beneath flows downward to the outlet downcomer where it is discharged from the quiescent section of the interceptor. OSI sizing and construction conforms to recognized plumbing codes and meets or exceeds many municipal industrial sewer pretreatment regulations. They are available in single-wall and double-wall construction as per client requirement.



# FUNCTION

These lighter-than-concrete interceptors can be sized for greater volumes and retention time. Unlike many competitive concrete units, they are watertight and pressure or vacuum testable in both the factory and the field. We offer an extensive range of standard sizes and capacities with complete accessory packages, including leak and level sensors, alarm/ control panels, influent, effluent and oil pump systems. Variations in capacity, arrangement, dimensions and pipe penetration locations can be made to fit your specific requirements.

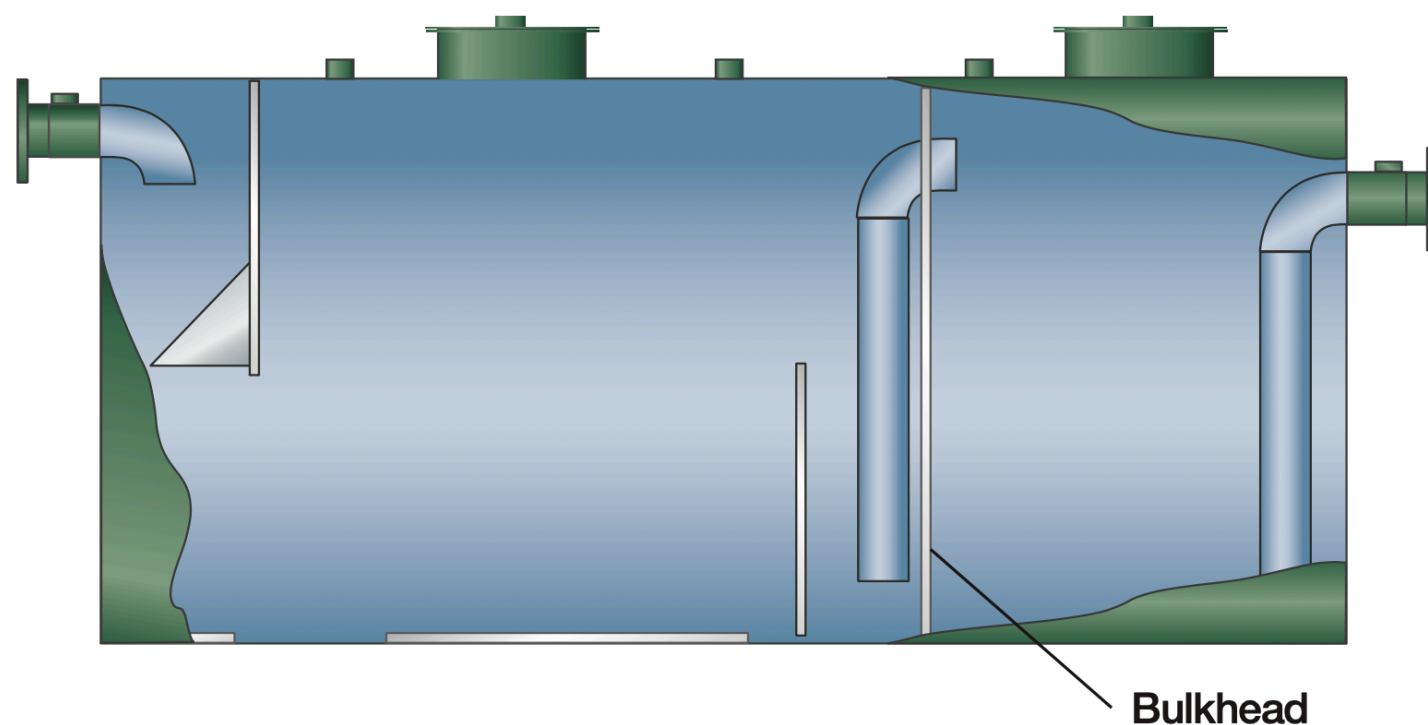
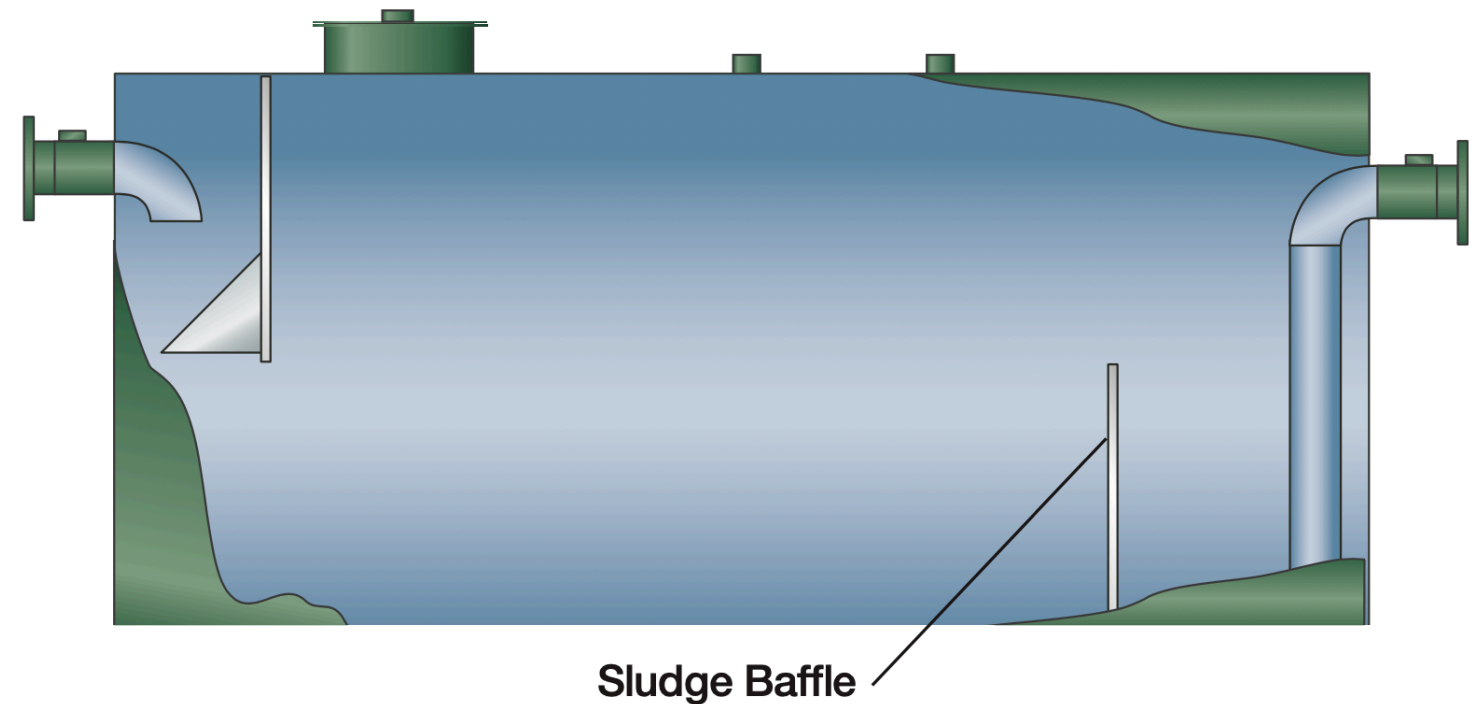
# OIL & SAND INTERCEPTORS SYSTEMS

## CODE-COMPLIANT DESIGN, DEPENDABILITY AND DURABILITY

Oil and sand interceptors are required in all facilities that conduct washing, servicing, repairing, maintenance or storage of motor vehicles – including car washes, commercial vehicle garages, repair facilities, service stations and similar sites where oil or flammable liquid may be introduced into the sewer system.

## SINGLE BASIN INTERCEPTORS

Single Basin Interceptors have a single collection chamber and sludge baffle to remove sand, grit, grease and free oil. This is our simple oil and sand "knock-out" design.



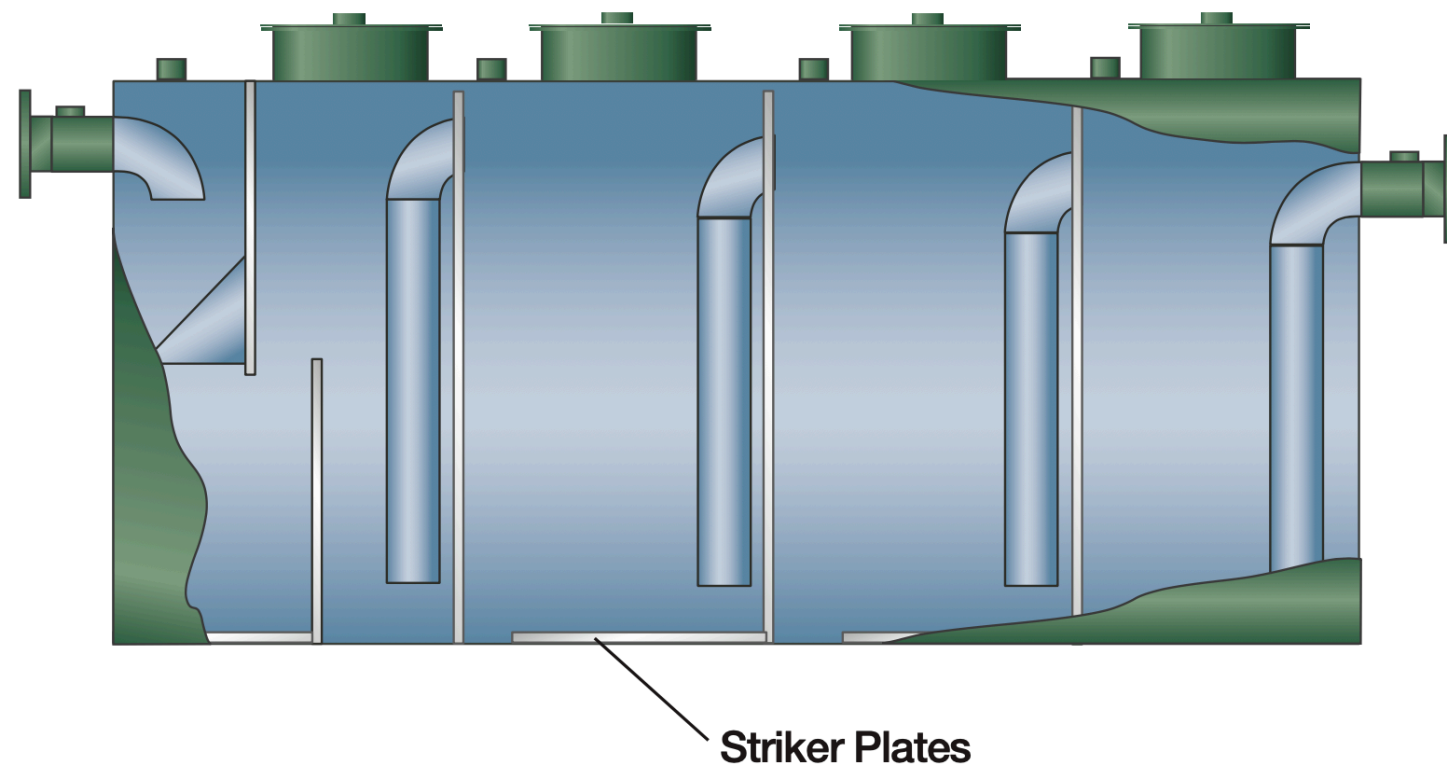
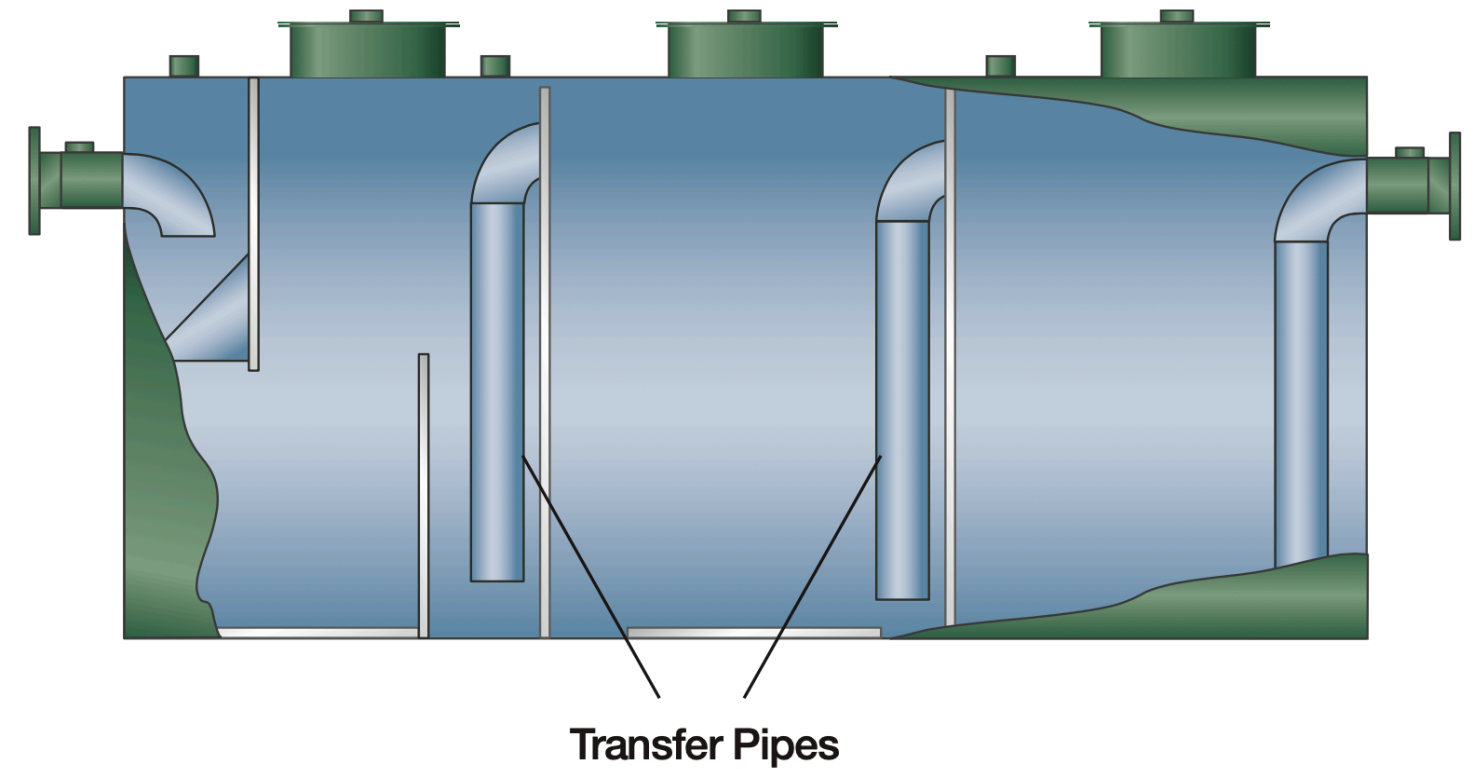
## DOUBLE BASIN INTERCEPTORS

Double Basin Interceptors have two collection chambers and a sludge baffle. Our most popular and versatile design has a variety of applications, such as car wash and commercial or municipal vehicle washing applications for oil and sand removal prior to discharge to a recycle wash system. An optional overflow bypass directs excess flow to an auxiliary retention area can be provided.

# OIL & SAND INTERCEPTORS SYSTEMS

## TRIPLE BASIN INTERCEPTORS

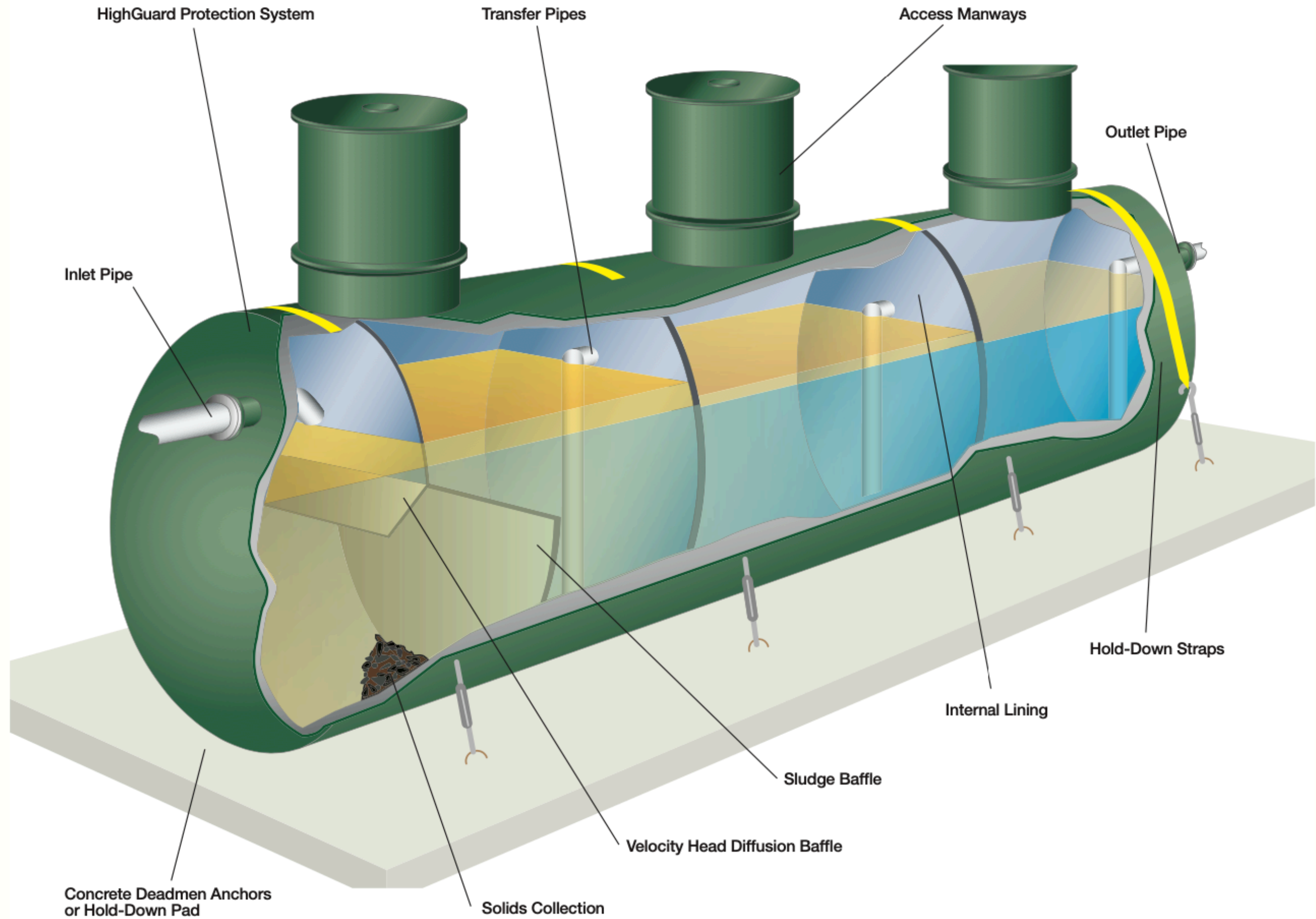
Triple Basin Interceptors have three collection chambers and a sludge baffle. Commonly used in large car washes and commercial garages. Floatables, oil, sand and other sediments are trapped in the first compartment and any remaining oil is trapped in the second compartment. The third chamber can be equipped with an effluent pump system.



## QUAD BASIN INTERCEPTORS

Quad Basin Interceptors have four collection chambers and a sludge baffle. In addition to their use at large commercial vehicle washes, they are commonly used at construction sites for oil, dirt and debris removal during site dewatering operations to comply with strict stormwater regulations.

# OIL & SAND INTERCEPTORS COMPONENTS

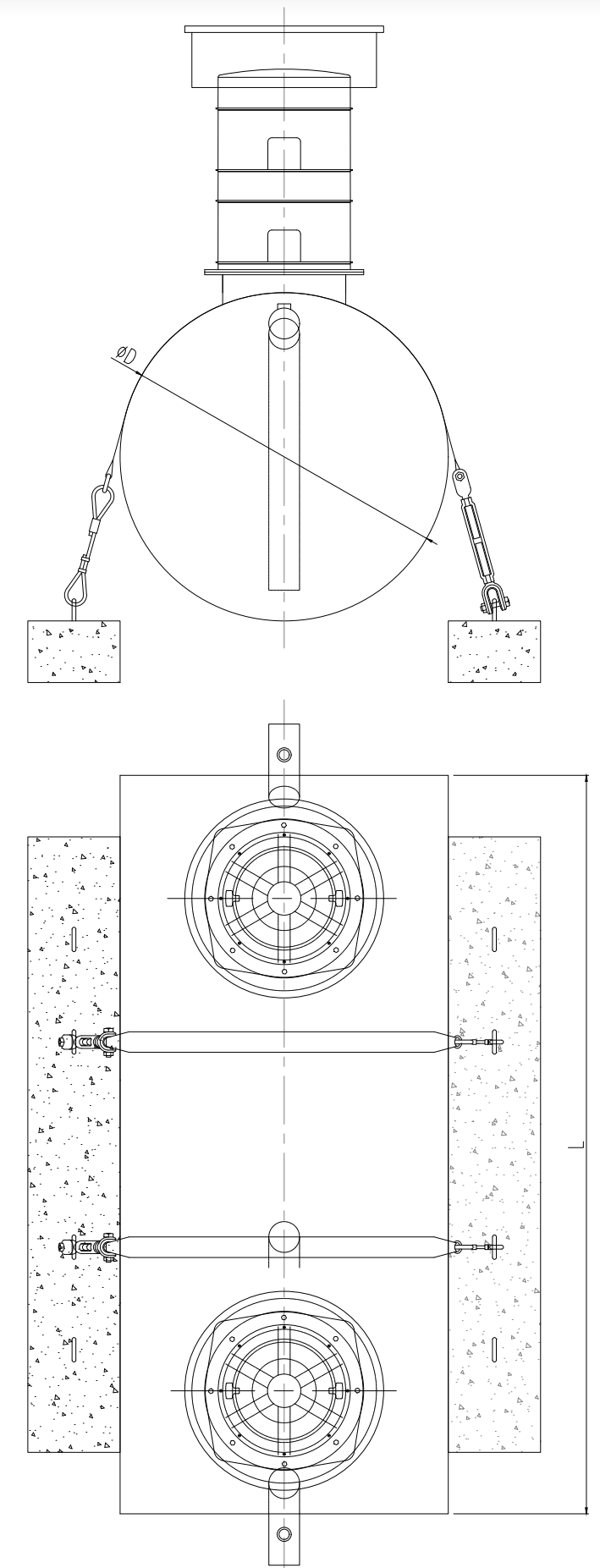


# OIL & SAND INTERCEPTORS SIZING GUIDE

MODEL (BOI)	FLOW RATE (Gal/Min)	TOTAL VOLUME (Gallons)	DIMENSION		INLET & OUTLET DIAMETER
			DIAMETER (D)	LENGTH (L)	
*350	35	350	3'-6"	5'-0"	4"
**550	55	550	3'-6"	7'-9"	4"
750	75	750	3'-6"	10'-9"	6"
1,000	100	1,000	4'-0"	10'-9"	6"
1,500	150	1,500	5'-4"	9'-0"	6"
2,000	200	2,000	5'-4"	12'-0"	6"
2,500	250	2,500	5'-4"	15'-0"	6"
3,000	300	3,000	5'-4"	18'-0"	8"
4,000	400	4,000	5'-4"	24'-0"	8"
5,000	500	5,000	6'-0"	23'-10"	8"
6,000	600	6,000	6'-0"	28'-8"	10"
7,000	700	7,000	7'-0"	24'-4"	10"
8,000	800	8,000	7'-0"	28'-0"	10"
9,000	900	9,000	8'-0"	24'-0"	12"
10,000	1,000	10,000	8'-0"	26'-8"	12"
12,000	1,200	12,000	8'-0"	32'-0"	12"
15,000	1,500	15,000	10'-0"	25'-6"	14"
20,000	2,000	20,000	10'-6"	31'-0"	16"
25,000	2,500	25,000	10'-6"	38'-9"	18"
30,000	3,000	30,000	10'-6"	46'-6"	20"
40,000	4,000	40,000	12'-0"	47'-3"	24"
50,000	5,000	50,000	12'-0"	59'-0"	24"
60,000	6,000	60,000	13'-0"	60'-6"	24"

\*Available as single and double basin ONLY. Double basin dimensions will vary. Check with **Basiia Contracting**.

\*\*Double basin and triple basin dimensions will vary. Check with **Basiia Contracting**.



# WHY CHOOSE BASIIA CONTRACTING OIL & SAND INTERCEPTORS TANKS?

- Offers proven performance with years of expected service
- Longer Lifespan
- Easier Maintenance and Relocation
- Reliable and cost-effective
- Especially effective in removing oil and grease, total petroleum hydrocarbons, and dissolved hydrocarbons.
- Customizable dimension and nozzles sizes/ numbers to suit the client specific needs.
- Consistently removes large quantities of non-emulsified organic contaminants to non-detectable levels or levels meeting regulatory codes.

