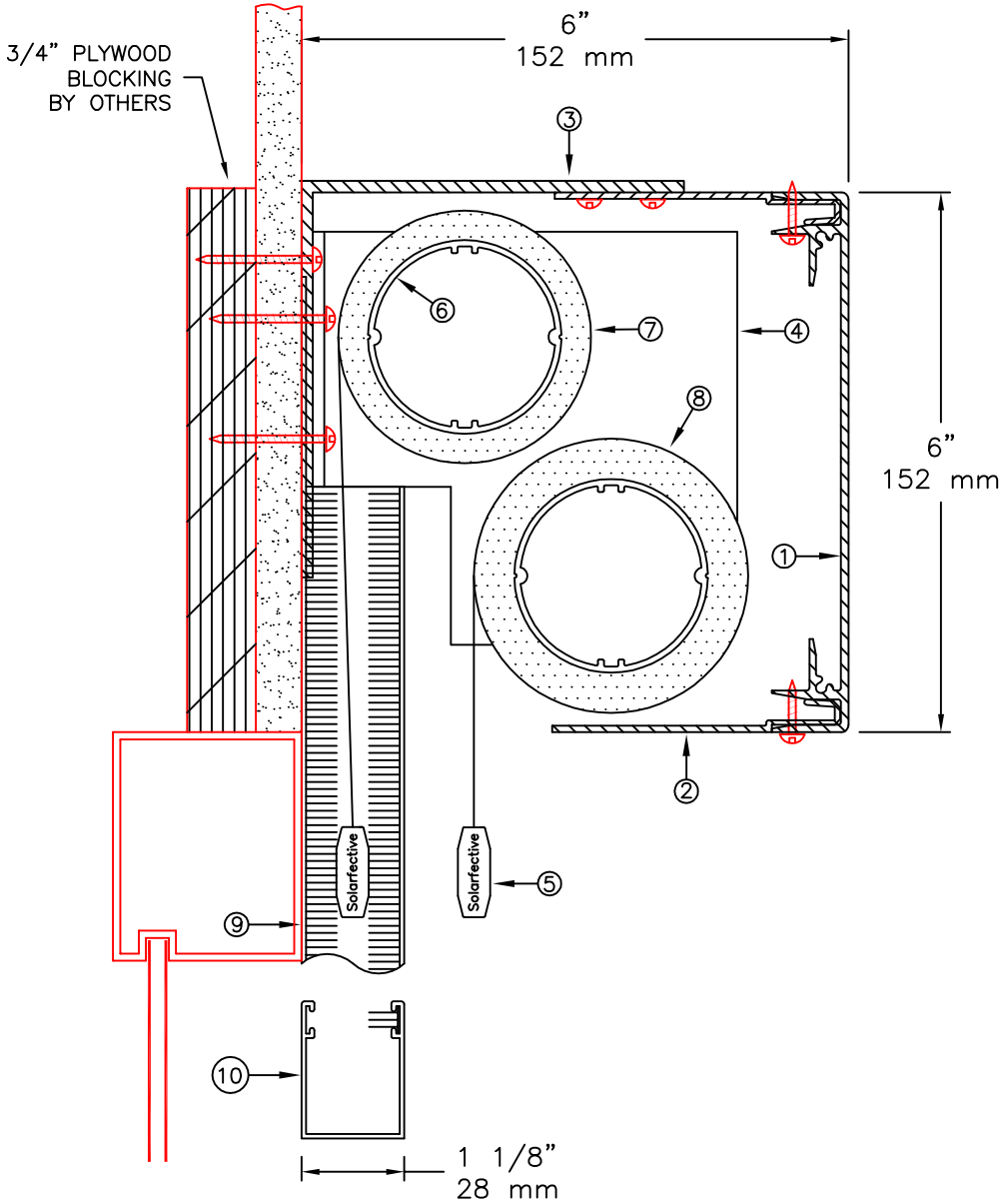


SHADE LIMITED IN WIDTH  
AND IN HEIGHT



**NOTES:**

- 1. EXTRUDED ALUMINUM 6" FASCIA
- 2. 4" EXTRUDED ALUMINUM CLOSURE
- 3. MOUNTING ANGLE
- 4. END BRACKET
- 5. EXTRUDED ALUMINUM EXTERIOR HEMBAR
- 6. 2" Ø EXTRUDED ALUMINUM TUBE
- 7. FABRIC: 1%, 3%, 5%, 10% OPENNESS OR BLACKOUT
- 8. FABRIC: 1%, 3%, 5%, 10% OPENNESS OR BLACKOUT
- 9. MOTORIZED BLACKOUT SIDE CHANNEL
- 10. MANUAL BLACKOUT BOTTOM CHANNEL

**\*\* NOTE \*\***  
JUNCTION BOX TO BE LOCATED WITHIN  
3 FT OF MOTOR LOCATION. MOTOR  
LOCATION TO BE DETERMINED WITH  
SOLARFECTIVE REPRESENTATIVE.

**Solarfective**

55 Hymus Road, Scarborough  
Ontario, Canada. M1L 2C6

Tel. (416) 421-3800  
Fax. (416) 421-8424

Web Site: [www.solarfective.com](http://www.solarfective.com)  
Email: [shades@solarfective.com](mailto:shades@solarfective.com)

MOTORIZED DOUBLE SYSTEM  
6" FASCIA AND CHANNELS  
FACE MOUNT

PROJECT:	-				
DATE:	SCALE:	FILE No.	DRAWN:	DWG. No.	REV
JAN. 01, 2015	N.T.S.	-	ADIE	RD-7	0