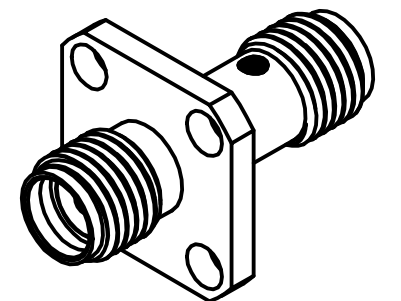
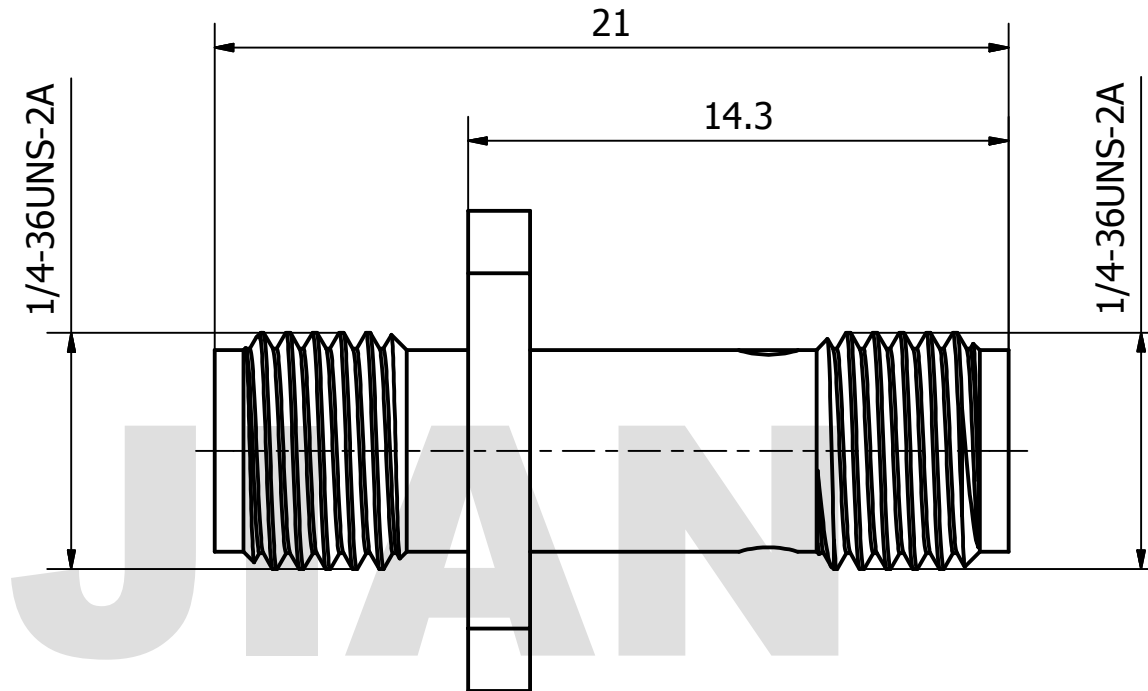
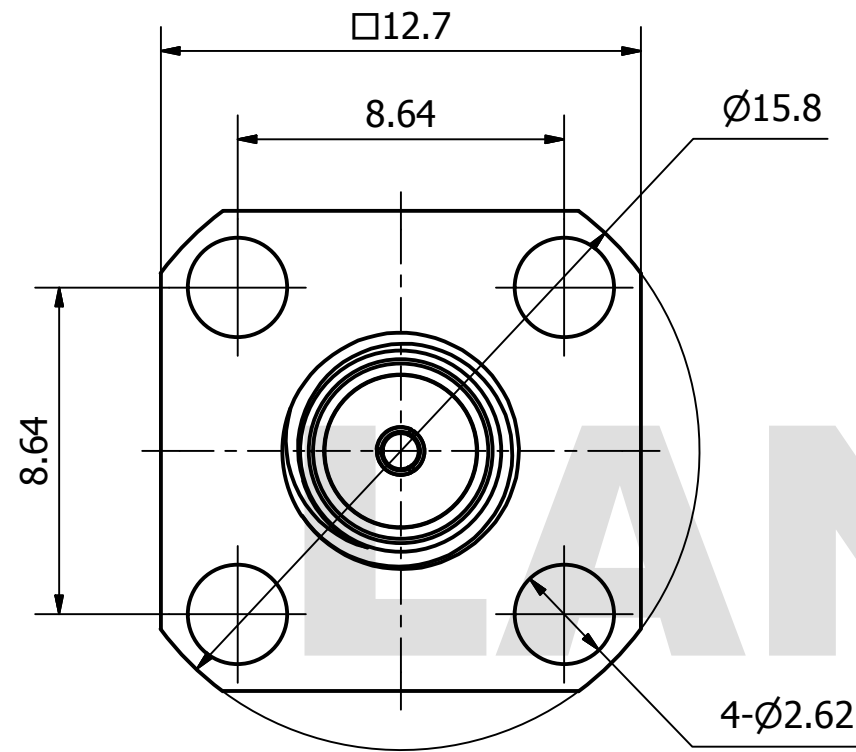

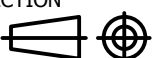


PRODUCT DATA SHEET



MATERIAL:
BODY: BRASS,
 ALLOY NO. UNS C37710
CONTACT: BERYLLIUM COPPER PER ASTM B196.
 ALLOY NO. UNS C17300
INSULATOR: PTFE PER ASTM D1710

PERFORMANCE:
IMPEDANCE: 50 OHMS
FREQUENCY: DC TO 15 GHz
VSWR: ≤ 1.10

THIS DOCUMENT CONTAINS CONFIDENTIAL AND PROPRIETARY INFORMATION THAT CANNOT BE REPRODUCED OR DIVULGED, IN WHOLE OR IN PART, WITHOUT WRITTEN AUTHORIZATION FROM "LANJIAN ELECTRONICS"	MATERIAL :			 38 Hengtong Road, Xinqu Dingmao Zhenjiang, 212009, Jiangsu, P. R. China
	UNLESS OTHERWISE SPECIFIED: DIMENSIONS IN MM			
	TOLERANCES :			
	X.X	± 0.20	ANGULAR : ± 1°	DEBURR AND BREAK SHARP EDGES
	X.XX	± 0.10	FILLETS R/C : ± 0.10	
	X.XXX	± 0.01	SURFACE FINISH : Ra 1.6	
		NAME	DATE	SIGNATURE
DRAWN				
CHK'D				
APPV'D				
MFG				
PROJECTION		SIZE	SCALE	DWG No.
		A3	5 : 1	GCPZ3.640.A.028
DO NOT SCALE THE DRAWING				REV.
				PAGE 1 / 1