

January 2023

www.nmra-scwd.org

Volume 54 No. 5

Super's Report

Phil Hottmann
Division Superintendent

I thought we had a very interesting clinic last month. We are all concerned about the future of our hobby and particularly the future of our club. I thought James Knabb's assessment of the hobby was spot on. We know there are people out there, but they are not joining the NMRA. Without our help to bring these folks into the club we may not survive. James did point out that it is very important to create the personal connection with potential members.

With the start of the new year, I'm hoping you all are looking forward to projects on your layouts.

This January we will be hosting the Rail School once again. Bill Clancy is doing a wonderful job organizing this event. Thanks to all involved with this effort. Hopefully this will be another successful event.

Work is underway piecing together the Youth Group once again. Many thanks to Steve Preston for his efforts to restore this group. Also, Jerry Lawler, Bill Mitchell, Bill Marks, and I are involved. We are currently attempting to produce the program agenda. If you have a specific specialty that you think the youth would enjoy or benefit from, we would appreciate you participating in one of the sessions.

You may have heard that Dave Down has undergone triple by-pass surgery. At this point Dave is at home recovering. We wish Dave the best for a speedy recovery.

I hope to see most of you at the Rail School on the 8th.

Phil

Next SCWD Meet

VERONA SENIOR CENTER (Map Page 6)

January 8, 2023

Next BOD Meeting:

January 9, 2023 at 7 PM

ZOOM Meeting



Model Railroad School

Fun. Educational. Free.

Turn a toy train into an operating model railroad!

We provide freight car kits for kids to make and take and run on our layout. Kids can run an engine on our switching layout to place cars on the correct track. **Live demonstrations:** making bridges out of foam, building trees, using grout for dirt, lighting buildings and adding interiors, and much more! *Come one, Come all*

Sunday, January 8, 2023, 1-4pm
Verona Senior Center, 108 Paoli St., Verona, WI

www.nmra-scwd.org

Hosted by the South Central Wisconsin Division of the National Model Railroad Association.

Layout Tours

Phil Hottmann Chair

It was great to see Don Swinton's layout once again. Don not only has a fully finished layout but has many dioramas that he has built over the years. He has obviously entered every model contest we threw at him. Nice work and thanks for participating in all those contests.



Next month will be the Rail School so there will be no layout tours.

I have several people penciled in for February through April tours. I need to get commitments for the specific months.

Phil

Clinic Column

By Ken Hojnacki

I hope everyone enjoyed Frank Wolf's excellent presentation of the Milwaukee & Mississippi Railroad.



Also James Knabb was certainly very enlightening with his presentation on the current state of our hobby and how to reach new members.

Since Rail School is taking center stage this month, I will announce the February clinics next month.

Ken

Youth Group

By Steve Preston

I want to give everyone an update on our Youth Group plans.



Phil Hottmann, Jerry Lawler, Bill Mitchell and I had a Zoom meeting on December 13, 2022. We have a good location (Noble Knight Games, 2835 Commerce Park Drive in Fitchburg) for our monthly meetings that we were able to secure at no cost. We also have a good support group to start moving forward with the plans. All meetings start at 1:00 PM on the following Saturdays in 2023:

February 11, March 11, April 8, May 13, September 9, October 14, November 11, and December 9.

We are gathering ideas for our presentations and are looking for suggestions/ideas from the SCWD membership for kid-friendly projects. Our membership is encouraged to help out for a few hours if they can at our meetings as your expertise is of great value to the kids in developing the hobby.

Please feel free to contact me with any suggestions and if you can help out with a presentation or just assist at the monthly meetings.

Steve Preston
Youth Group Leader

Contest Column

Dave Down, Chair

The contest at the December meeting was on the theme of Reefers. I did not announce the results during the last meeting due to Dave's absence. Hopefully Dave will be back in February.

There will be no contest in January due to the Rail School. Contests will return in February.

The contest categories were:

- A. Ice Reefers
- B. Mechanical Reefers
- C. Cryogenic Reefers
- D. Milk Reefers

Category A: Ice Reefers

1st (tie) Dave Casey 40' Land O' Lakes #10131



1st (tie) Phil Hottmann 40' Reading #19890



3rd Bob Stone 40' Soo Line #5626

Category B: Mechanical Reefers

1st Dave Casey 50' Swift #25014



2nd Dave Casey 50' CNW #61041

Category C: Cryogenic Reefers - No entries

Category D: Milk Reefers

1st Dave Casey 40' Fairmont #30172



2nd Don Swinton National Dairy Distribution

Phil

2022 - 2023 POPULAR VOTE MODEL AND PHOTOGRAPHY CONTEST THEMES

September: Tourist Train

- East. (More than 2 states from Mississippi)
- Central. (2 states on either side of Mississippi)
- West. (More than 2 states from Mississippi)
- Free lance (Model) Foreign (Photo)

October: Box Cars

- Wood
- Outside braced
- Double door
- All door

November: Kit built. (You bought it, you built it)

- Locomotive
 - Freight car
 - Passenger Car
 - Non-revenue
- (Photo contest will be models only, no prototype)

December: Reefers

- Ice
- Mechanical
- Cryogenic
- Milk

January: No contest. RAIL SCHOOL

February: Non-trackside building

- Commercial, retail, factory
- Residential (house, apt.)
- Farm
- Miscellaneous

March: Off-track vehicles

- Commercial trucks/vans
- Automobiles/pickups
- Agriculture
- RR maintenance trucks and equipment (non-rail)

April: No Contest. MODEL PROJECT

May: Bridges -Truss (deck or through)

- Girder (deck or through)
- Stone
- Concrete

FAMILY FUN AT ARCTIC RUN

Saturday-Sunday, January 21-22, 2023

25th Arctic Run Model Railroad Show & Sale

A fun filled family event featuring activities for children as well as adults. Operating model train layouts, exhibitors, and vendors from throughout the upper Midwest will be on hand entertain, answer questions and sell you the latest in model railroading fun.

Saturday, 9 AM – 5 PM, Sunday, 10 AM – 3 PM, Stevens Point Holiday Inn and Convention Center, 1001 Amber Avenue, Stevens Point. Adults \$4.00, \$2.00 age 12-17. Children 11 and under are free. For information call Jim Miller (715) 340-0265, jimbro67@gmail.com or Don Anderson (715) 340-8105, crm114@tds.net.

FROM the NMRA Please Keep in Touch



Please make sure the NMRA has your current contact information. You will not be able to access the full range of NMRA benefits unless we can reach you.

- Please visit nmra.org/members
- Use your email address and password to log in.
- If you have not yet registered, or forgot your password, there are buttons for that. Take a moment to easily correct any problems.
- Once logged in, click on Member Info (top right corner).
- Make sure your information is correct.
- If not, please go to:

nmra.org/request-membership-info-changes

to submit a request for changes to be made.

Thank you!

Mad City

MODEL RAILROAD SHOW & SALE

February 18–19, 2023
Saturday 9–5 • Sunday 9–4
Alliant Energy Center, Exhibition Hall
Madison, Wisconsin
A GREAT FAMILY ENTERTAINMENT VALUE!

DISCOUNTED ONLINE TICKETS WILL BE AVAILABLE AT NMRA-SCWD.ORG
*Family Pack includes: two adults (regular/senior) & two kids (5–15). Kids under 5 FREE.

Mad City MODEL RAILROAD SHOW AND SALE

Sat. Feb. 18, 9AM–5PM • Sun. Feb. 19, 9AM–4PM
Alliant Energy Center, Exhibition Hall, Madison, WI

One of the Midwest's best model RR events showcasing beautiful model train layouts in Z, N, HO, S, O and G scale; classic toy trains; historical exhibits. **250+ vendor tables** of model train merchandise including tools, railroad collectibles, videos, books, clothing and artwork. Hourly door prizes for adults. Kids, age 5-15, can register to win an HO scale train set!

FOUR HO TRAIN SETS GIVEN AWAY EACH DAY!

Family Pack \$36: two adults (regular or senior) and two kids (5–15)
Adults \$14 (16 & older), Seniors \$13 (65 & older)
Children \$6 (age 5–15), Kids under 5 FREE
Active duty military \$11. Two day pass \$18. Parking fee not included.
All children under 16 must be accompanied by an adult.

Advance Sale Discount Tickets

(available January 1, 2023 at nmra-scwd.org)

Adults \$13 (16 & older), Children \$5 (age 5–15)
Two Day Pass \$17

For more information:

www.nmra-scwd.org



©2022, NMRA-SCWD
Sponsored by the South Central Wisconsin Division
of the National Model Railroad Association, Midwest Region



Holiday Express

Flower & Model Train Show

Come one, come all, step right up! Enjoy large-scale model trains as they churn through a festive carnival themed display. Members of the Wisconsin Garden Railway Society come from all over the state to show off their trains. Depending on the day, you might see a bullet train, steam train, Santa train, circus train, or freight train.

\$8 - Adult

\$5 - Child

FREE - Ages 5 & under

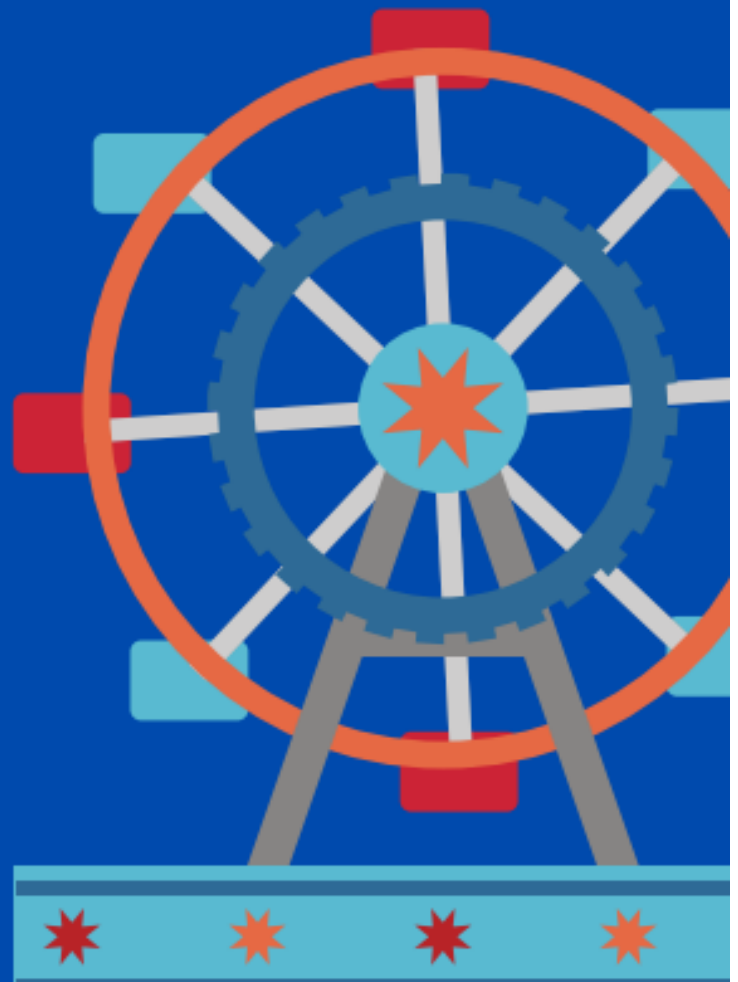
FREE - Olbrich Members

Admission is all inclusive for indoor attractions

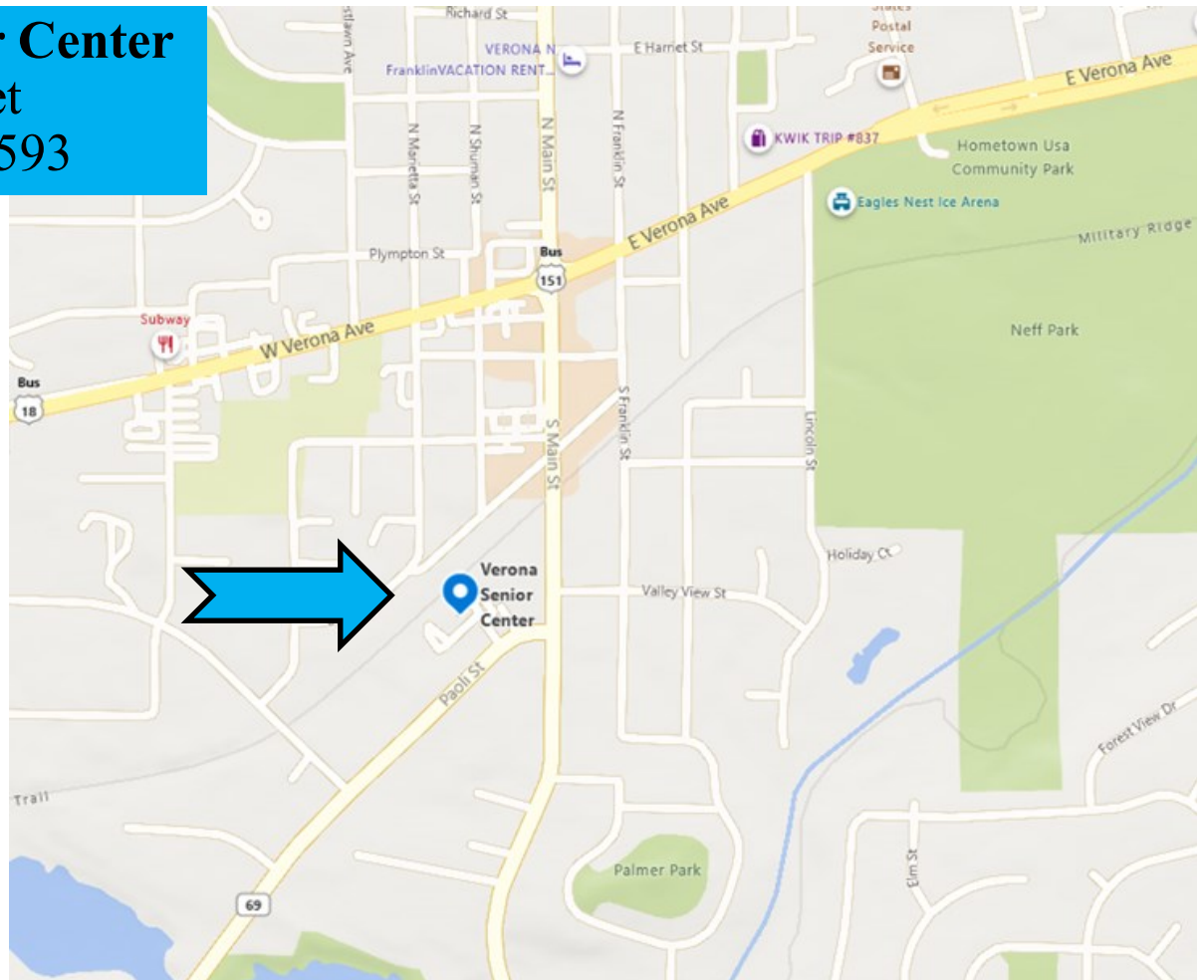
December 3-31, 10 a.m. - 4 p.m.

Closes at 2 p.m. December 24

Closed all day December 25



Verona Senior Center
108 Paoli Street
Verona, WI 53593



A Puzzle for You

You like trains, or train watching, but have you ever wanted to go to an OPS (Operating Session) and run trains on someone else's layout, but were afraid you wouldn't know what to do?



Model Railroad Operation is a fun and interesting role-playing game where the players (operators) use model trains to simulate the movements of the prototype railroad. Operators fill the roles of railroad employees like engineers, conductors, yardmasters, dispatchers, and more. Many of our SCWD members participate each month at multiple layouts to enjoy this fun and stimulating practice of critical thinking and problem solving in the context of railroad operations.

Now, there is a way for you to get your feet wet in this critical thinking and problem-solving railroad environment in the privacy of your own home through the use of railroad switching puzzles.

In July 2020, a group of SCWD members started a project to introduce more of our members to the enjoyment of railroad operations, or as our wives call it, playing trains. Some of us have been engaged in operating sessions for 20 years or more, and would like to get more of you involved.

The project involves getting one to solve a series of train switching puzzles (on paper, or your computer) in the least number of moves possible. You can then submit your solution to see if yours was done in the least number of moves.

Beginners can start with **3 introductory puzzles** to show the kinds of skills used in railroad switching operations. Then, you can advance to a series of more advanced puzzles written and based on actual SCWD member area layouts. Or, if you have already been to an OPS session, you could do an introductory puzzle, and jump right into the more challenging ones.

Join the SCWD listserv now and begin learning what this is all about!

Email Steve Lanphear at scwdmemberlist@mhtc.net to be added to the list and start receiving your puzzles now!

Happy Railroading!
Steve



Enjoy receiving interesting rail photos, model railroad tips, Operating puzzles, and challenging Mystery Photos??

Join The 120+ SCWD members and members from other Midwest Regional Divisions who are participating in the SCWD listserv. You can expect 5 - 10 photos of railfan photos or model railroad photos or other items per week on average, as well as SCWD announcements, monthly Mystery Photo contests, Modelers Corner, and OPS Corner Puzzles. The listserv has been running this since April 2012, and it has been quite popular.

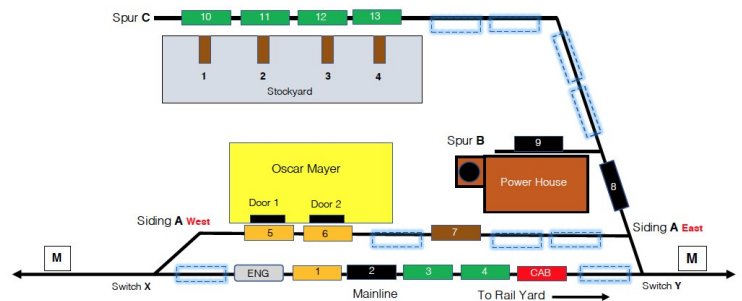
The listserv is a one-way email broadcast to you, not a social media type service. The emails are sent in bulk, but as a BCC: type email.

Please save this email so you know how to get a hold of me. So, if you would like to try out this FREE member service, just send me your **Name** and **email address**, and **City/State** to the address below. You may drop out at any time by sending an email stating such to the same address below.

Steve Lanphear
SCWD listserv Coordinator
scwdmemberlist@mhtc.net



OPS Puzzles



OPS Puzzles have arrived! We now have a section on the SCWD Website that has all 11 puzzles that we have published on the listserv, including the handouts and diagrams. You can start from the beginning, or pick and choose which puzzles you would like to try.

www.nmra-scwd.org/ops-puzzles.html

Steve Lanphear and the Puzzle Development Team.



NMRA NEWS



2023 National Convention



Welcome to the 2023 Texas Express

The NMRA International Convention
"Things are always bigger and better in Texas"

The 2023 National Convention is the [Texas Express](#), to be held August 20-26, 2023 in Grapevine, Texas in the greater Dallas-Fort Worth area. The venue is the [Gaylord Texan Resort and Convention Center](#):



Check the [convention website](#) for up-to-date information. Please note that the \$100 surcharge that was listed for those attendees who do not wish to stay at the Gaylord **was removed**. The surcharge was typically used in past Lone Star Region Conventions, and it was inadvertently added to the 2023 National Convention registration. We realize this caused some angst among members, and we do apologize.

If you need to contact any member of the Convention Committee, visit:
2023texasexpress.com/committee.html

The 2023 Texas Express Committee is looking forward to seeing y'all in Grapevine!

Volunteers Needed

The NMRA is run by volunteers. Get involved by contributing your expertise and time.

Meetings and Trade Shows Department

The NMRA is seeking expressions of interest in the role of Manager, Meetings and Trade Shows, a key member of our operational team who is responsible for working with local host committees to deliver the annual national convention and Train Show. We are ideally looking for someone with experience in the events or hospitality industry, who is comfortable with negotiating with a number of vendors and advising host committees. The role is supported by a team of experienced volunteers, however all department heads are encouraged to grow their team. This is a volunteer role with a commitment to attend the annual convention and NTS as well as to undertake site visits as required. Expressions of interest should be made to the President at president@nmra.org

Marketing Department

The Marketing Department is looking for women who participate in any aspect of our hobby to please consider writing an article for the NMRA Magazine. The Women in Model Railroading series was quite popular and we would like to revive it. Articles should be approximately one page long, and please include a high resolution photograph of yourself. All submissions can be sent to marketing@nmra.org.

Fundraising Committee

The NMRA has recruited an experienced team of fundraising experts and we now seek a person to coordinate the efforts of this group. The role will involve ensuring the efficient running of committee meetings and tracking the work that is being done by committee members. Close liaison with the national HQ team and the CFO is essential. This role would work closely with Eastern District Director John Doehring who has led the effort to grow this essential organization activity. Contact him at eastdir@nmra.org.

New Volunteers

All NMRA Departments are actively recruiting new volunteers year-round, so if you want to share your experience & skills and help the NMRA deliver something you are really passionate about, then please reach out to me.

Gordy Robinson
NMRA President president@nmra.org



TEXAS EXPRESS    

AUGUST 20-26
Dallas/Fort Worth
GAYLORD RESORT, GRAPEVINE

SUPERCHARGED - HIGH SPEED - STREAMLINED

NATIONAL TRAIN SHOW

August 25-27

SPENCER CHRISTIAN

Banquet Speaker

GAYLORD RESORT

4-star Hotel and Water Park

BNSF HQ TOUR

Dispatching Center and Intermodal Yard

CLINICS

SIG ACTIVITIES

LAYOUT TOURS

OPERATION SESSIONS

CONTEST AND DISPLAY

FREEMO-N OPERATIONS



RAIL TOURS

- Texo Grain Mill
- Private Railcars
- TexRail Back Shop
- Texas State Railroad
- Trinity Rail Car Plant
- BNSF Intermodal Yard
- Six Flags Railroad Shop
- Grapevine Vintage Railroad
- McKinney Ave Trolley Shops
- Trinity Tank Car Cleaning Plant
- BNSF National Operations Center
- Museum of the American Railroad
- BNSF Private Western Art Collection
- T&P, Santa Fe, & Dallas Union Stations
- Fort Worth & Western Railroad Back Shop
- Union Pacific Dallas International Terminal
- Light Rail & Commuter Shops (DART & TRE)

GENERAL INTEREST

- George W Bush Library
- Fort Worth Stockyards
- Grapevine Wine Tour
- Sixth Floor Museum
- Fort Worth Modern
- Holocost Museum
- Kimbell Museum
- Globe Life Park
- AT&T Stadium
- Dealey Plaza

NMRA *National Convention*
2023 TEXASEXPRESS.COM



**Minutes SCWD Board Meeting
7:00 pm, 14 November 2022
via Zoom meeting**



The meeting of the South Central Wisconsin Division Board of Directors was called to order at 7:00 pm by Superintendent Phil Hottmann. Phil Hottmann, Bob McGeever, Dr. Bill Clancy, John Kosobucki, Dave Down, Dave Dingman, Steve Preston, and Bill Mitchell were present. **(Meeting start times may vary due to BOD members schedules.)**

BOD Meetings: *Members of the SCWD are invited to join a Board of Directors meeting. Meeting dates are published in the Bad Order. Send a request to Phil Hottmann or another member of the SCWD Board for a ZOOM link to the upcoming meeting. The members' contact information is in the RED BOOK.*

Minutes

Motion by McGeever, second by Dingman, to approve the minutes of the October 10, 2022, meeting. Motion carried.

Paymaster Report

Bob McGeever presented highlights of the October paymaster report. Financial activity is fairly quiet. The new laptop computer and software has been purchased and in use.

Motion by Dr. Clancy, second by Down, to approve the September Paymaster Report as written. Motion carried.

Committee Reports

Achievement Program - Awards Judging Sub-Committee - Ken Hojnacki needs to inform the Board of Directors of the SCWD members who will be on the SCWD Awards Judging Sub-Committee of SCWD.

Advertising - nothing to report.

Bad Order - articles are due November 18 for the December newsletter.

Special Note 1: *The email list comes directly from the NMRA membership list, so please keep your membership active and your email current with the NMRA. All SCWD members are requested to inform the NMRA when their email address changes.*

Special Note 2: *Kathy, our newsletter editor, is always in need of articles. Please submit articles as soon as possible to have them included in the next publication of the Bad Order to SCWDKATHY@AOL.com via email with attachments in a WORD formatted document.*

Clinics - Clinics are lined up for the December. The clinics presented at the November membership meeting were very good. Some clinics still need to be scheduled for 2023.

Contests - Model and Photography - A reminder for the December contests was included in the November **Bad Order**. The February contests reminder will be in the December **Bad Order**.

Modeling Project - "Ice and Snow" diorama - about 11 people have signed up to participate.

Door Prizes - The door prize certificates were mailed out on Monday after the November Sunday SCWD Membership meeting.

Layout Tours - The layout tours are lined up for December. Phil is still looking for future layout tours to be scheduled. We need members to suggest layouts to be set up for tours.

Our SCWD organization is always looking for more people to host virtual or in-person layout tours. Please contact Phil Hottmann about the possibility of opening up your layout for a virtual or in-person tour. Phil's contact information is in the REDBOOK.

Membership - Steve Preston - The membership list is up to date.

The current SCWD membership list is sent to Steve Preston on a monthly basis. The email address of the SCWD members associated with the membership list is used for the Constant Contact electronic communications system. Each member is responsible for making sure that their email address is valid. If someone has problems renewing their NMRA-SCWD

membership using the ON-LINE systems, please contact Steve Preston. His contact information is in the RED BOOK.

Picnic - nothing to report.

Publicity - The May SCWD membership meeting location will need to be finalized and announced. A possible Tri-Meeting with the SCWD, WISE, and the RRVD model railroad divisions has been suggested.

Rail School - January 8th, 2023 - Dr. Clancy is completing the planning of the room layout and requirements:
inquired on the status of the switching layouts and possible maintenance needed
electrical requirements and extension cords needed
static grass demonstration
has a copy of the DVD "World's Greatest Hobby"
table cloths and floor coverings
the testing layout needed for testing the Blue Box Kits after assembly
projector and screen for model railroad videos to be provided by Bob McGeever
assistance with setup and take down

Rail Show - February 19th and 20th, 2023 - Bob McGeever has been receiving positive responses from potential vendors. He did talk with vendors at the November 12 - 13 TRAIN-FEST at the Wisconsin State Fair Park. The Wooden Train and DVD video room will not be offered.

Website - www.nmra-scwd.org - Discussion item for the December Board of Directors meeting - the use of VIMEO at \$7.00 per month to allow videos to be posted on the website without opening it up to everyone on YOUTUBE.

The www.nmra.org website is **UNDERUSED** by its members. There is a direct link from our SCWD website to the National Model Railroad Association website. You will need to register your NMRA membership to view the "members only" information on the different pages of the NMRA website.

Old Business:

Youth Group - Steve Preston - Dates for the monthly Youth Group meetings have been "penciled in" to calendar of events at the Noble Knights facility in Fitchburg. A small group of people will be checking out the Goodman Community Center, 149 Waubesa Street, Madison, to see if there is storage space available for the Youth Group "clam shell" layout and supplies. Parking space will also be checked out. Names and contact information for youth participants will be collected at the January Rail School and also from the previous Youth Group membership list. Program content will need to be discussed at the December SCWD membership meeting and the December SCWD Board of Directors meeting.

New Business:

Certification of Division Directors - Phil Hottmann will fill out and file the annual Certification Certificate to meet the insurance requirements of the National Model Railroad Association.

Adjournment:

A motion was made by Kosobucki, second by McGeever, to adjourn the meeting. Motion carried. The meeting was adjourned at 8:00 pm.

Bill Mitchell - Clerk



MADISON HOBBY STOP

6622 Mineral Point Road, Madison, WI 53705

Ph: 608-829-3820 • Fax: 608-829-3852 • www.madisonhobbystop.com

Hours: Monday – Friday (10 am – 8 pm) and Saturday (10 am – 5 pm)

Model Railroading • Plastic Model Kits • Rockets & Accessories • Pine Car •
Paints • Tools & more!

Happy New Year!!



**Thank you to all my customers for making
this year the best the shop
has done since opening 18 years ago.**

I look forward to serving you in the years to come!!

We are now open Sundays 12:00-5:00 thru February.

Thank you for your continued support.



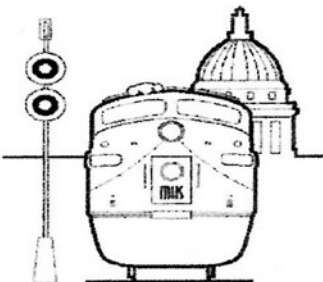
**Preorders are 25% off regular price except
Walthers Proto which is 20% off**

New/old consignment coming in weekly, stop in for best selection

**Remember, most model railroad items are 20% off
with a valid NMRA or other club id card**

Excludes discounted or sale items, magazines, and consignments

Gift Certificates Available



Madison Hobby Stop
Chris Roosli, Proprietor

The Hobby Depot

Brian Stackpole, owner



See us on the web at: www.hobbydepotmonroe.com



**835-17th Street
Monroe, Wisconsin 53566**

Phone: 608-325-5107

Call ahead to be sure we're open!

email: hobbydpo@tds.net

TRAINS & MORE

South Central Wisconsin Division of the National Model Railroad Association

Publishes eleven issues yearly of the

BAD ORDER

Official Mailing Address:
BAD ORDER
3940 Trempealeau Trail
Verona, WI 53593

Photos in the Bad Order, unless otherwise noted,
are by Kathy Clancy

Deadline for submissions: **14th of the month
prior to publication.** Email Bad
Order Editor at SCWDKATHY@AOL.com

Place your ad here!!!

Contact

Kathy Clancy

Bad Order Editor

SCWDKathy@aol.com



**If you change your
email address**

don't forget to notify
the NMRA and
Kathy Clancy
Bad Order Editor

Thank you!

PLEASE PATRONIZE OUR AREA HOBBY STORES

The Hobby Depot – 835 17th Street – Monroe WI
Madison Hobby Stop – 6622 Mineral Point Rd (inside Clock Tower) – Madison WI *

* = Train Show Ticket advance sales

SCWD 2022-2023 Meeting Schedule

Regular Meeting

January 8, 2023 (Rail School)
February 5, 2023
March 5, 2023
April 2, 2023
May 7, 2023 (Rockford)

BOD

January 9, 2023
February 13, 2023
March 13, 2023
April 10, 2023
May 8, 2023
June 12, 2023

August 14, 2023

A Word about Constant Contact e-mail

Each Constant Contact e-mail includes links to update or unsubscribe your e-mail address. **Please do not use these links.** If you unsubscribe using the Constant Contact link, your e-mail address will be removed from the NMRA membership database, from the Midwest Region e-mail database and probably from your Division's records. If you get an e-mail that you don't want, just hit the delete key. Furthermore, if you use the update link, your change may not be timely posted to the NMRA membership database.

If you need to change your email address with the NMRA please follow these directions:

The direct way is to log on to the "Members" page of the NMRA website, choose the "View your NMRA membership" box on the right side of the screen, scroll down to the bottom of the page and select "Update". Enter the new email address in the appropriate box and click "Submit".