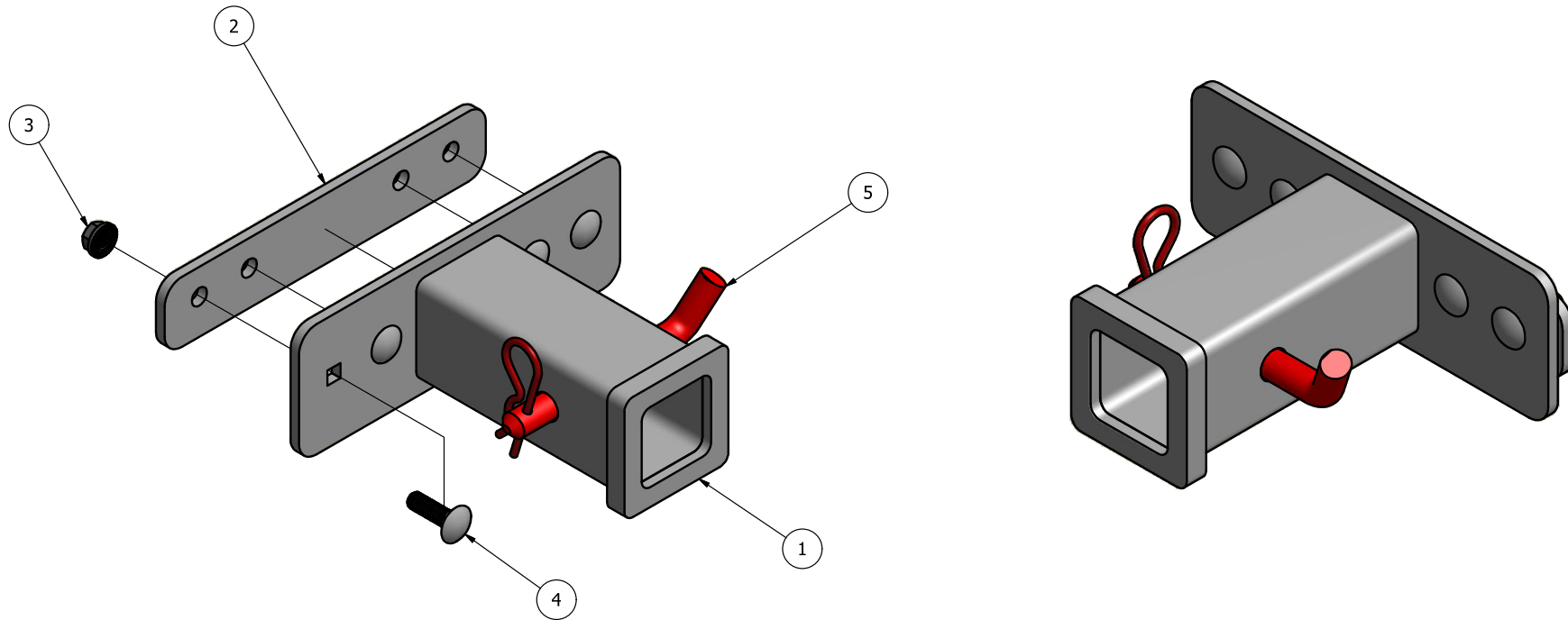




DTHFER-3 Hitch

Part Number: DTHFER-3 (Fits Ferris IS700, IS600, F210, F160, F60 & Snapper Pro S150)



Note:

- 1) Modification of the unit is required to install item 4 & 3. Please reference #2 below for modification recommendations.
- 2) It is highly recommended that you mark & drill 2 inner holes with a 3/8" drill bit. This will ensure that there is no "flex" and provide a solid & rigid mount.

J.C.B DTHFER_3 IPL.FS

REVISION HISTORY	
REV	DATE
A	10/24/2019

Parts List			
ITEM	QTY	PART NUMBER	DESCRIPTION
1	1	DTHFER3-01	D'ttach DTHFER-3 Hitch
2	1	DTHFER3-BP	Backing Plate
3	4	69730014	3/8-16 Flanged Nut
4	4	69713125	3/8-16 X 1.25" LG Square Neck Carriage Bolt
5	1	DT58HP	5/8 Hitch Pin w/ Cotter Pin