



One (1) Unused ABB generator step-up transformer, oil filled outdoor substation type, Serial number: AB29609-001, class ONAN/ONAF/ONAF, three phase 60 hz. 55/65 °C rise, imp: 7.27%

20/22.4/26.67/29.87/33.33/37.33 MVA . copper wound, year built: 2009
115000 Y/66400-13800 v D, taps: 120750-117875-115000-112125-109250

Core and coils 49,778 lbs.

Case 33,455 lbs.

Liquid 34,351 lbs.

Total 117,584 lbs.





600 VOLT

ABB SMALL POWER TRANSFORMERS
 SOUTH BOSTON, VA.

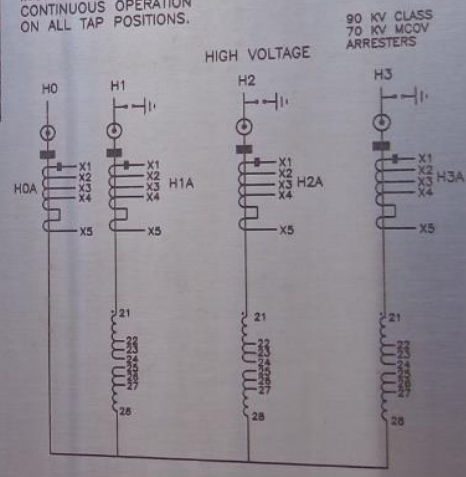
VOLTS HV 115000Y/66400 LV 13800	3 PHASE OIL INSULATED SUBSTATION TRANSFORMER MFR ID SERIAL 1LUS AB29609 -001 MANUFACTURE DATE 05/2009 INSTRUCTION BOOK PC-1002	60 HERTZ	FULL LOAD KVA 20000 22400 ONAN 26670 29870 ONAF 33330 37330 ONAF
MADE IN U.S.A.		CLASS ONAN/ONAF/ONAF	
FULL WAVE IMPULSE TEST LEVEL: IMPEDANCE 7.27 % AT 20000 KVA 115000 Y TO 13800 D VOLTS.		HIGH VOLTAGE: 550 KV HIGH VOLTAGE NEUTRAL: 150 KV LOW VOLTAGE: 110 KV	

APPROX. WEIGHT IN LBS.	GALLONS FLUID
CORE AND COILS 49778	TRANSFORMER 4849
CASE 33455	
LIQUID 34351	
TOTAL 117584	
1LUS AB29609	

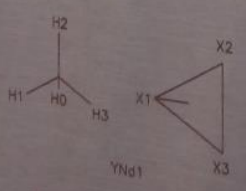
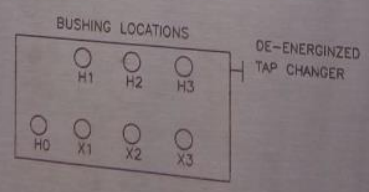
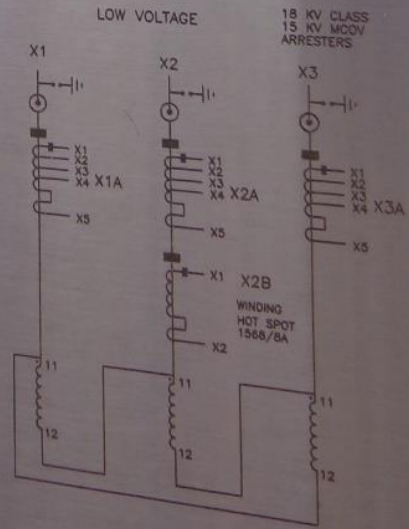
2000/5 C800 MULTI-RATIO CT	
NOMINAL RATIO	LEADS ON
300 TO 5	X3 - X4
400 TO 5	X1 - X2
500 TO 5	X4 - X5
800 TO 5	X2 - X3
1100 TO 5	X2 - X4
1200 TO 5	X1 - X3
1500 TO 5	X1 - X4
1600 TO 5	X2 - X5
2000 TO 5	X1 - X5

WINDING	VOLTS	37330 KVA AMPERES	DE-ENERGIZED TAP CHANGER	
			POS	CONNECTS
HIGH VOLTAGE WYE	120750	178	1	24 TO 25
	117875	183	2	24 TO 26
	115000	187	3	23 TO 26
	112125	192	4	23 TO 27
	109250	197	5	22 TO 27
COPPER				
LOW VOLTAGE DELTA	13800	1560		
COPPER				

KVA RATINGS SHOWN ARE MAXIMUM LINE KVA FOR CONTINUOUS OPERATION ON ALL TAP POSITIONS.



H1A, H2A, H3A		H0	
600/5 C200 MULTI-RATIO CT		400/5 C400 MULTI-RATIO CT	
NOMINAL RATIO	LEADS ON	NOMINAL RATIO	LEADS ON
50 TO 5	X2 - X3	50 TO 5	X1 - X2
100 TO 5	X1 - X2	100 TO 5	X3 - X4
150 TO 5	X1 - X3	150 TO 5	X2 - X3
200 TO 5	X4 - X5	200 TO 5	X1 - X3
250 TO 5	X3 - X4	250 TO 5	X2 - X4
300 TO 5	X2 - X4	300 TO 5	X1 - X4
400 TO 5	X1 - X4	350 TO 5	X2 - X5
450 TO 5	X3 - X5	400 TO 5	X1 - X5
500 TO 5	X2 - X5		
600 TO 5	X1 - X5		



THE OPERATING PRESSURE IS LIMITED BY THE INERTAIRE FLUID PRESERVATION SYSTEM TO BE BETWEEN 0.5 PSI POSITIVE AND 0.5 PSI POSITIVE.
 THE 20° C LIQUID LEVEL IS 9.57 INCHES BELOW TOP OF...
 LIQUID LEVEL CHANGES 0.71 INCHES...
 SUITABLE FOR...