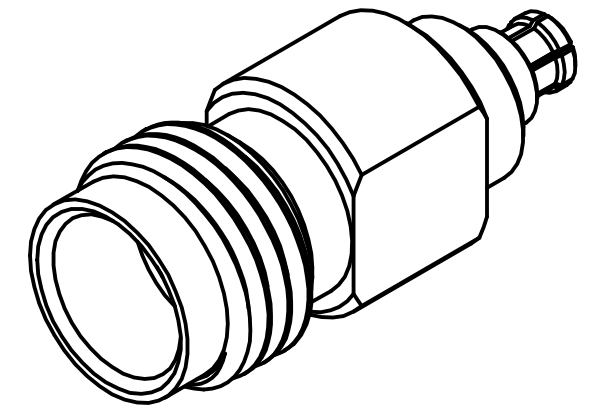
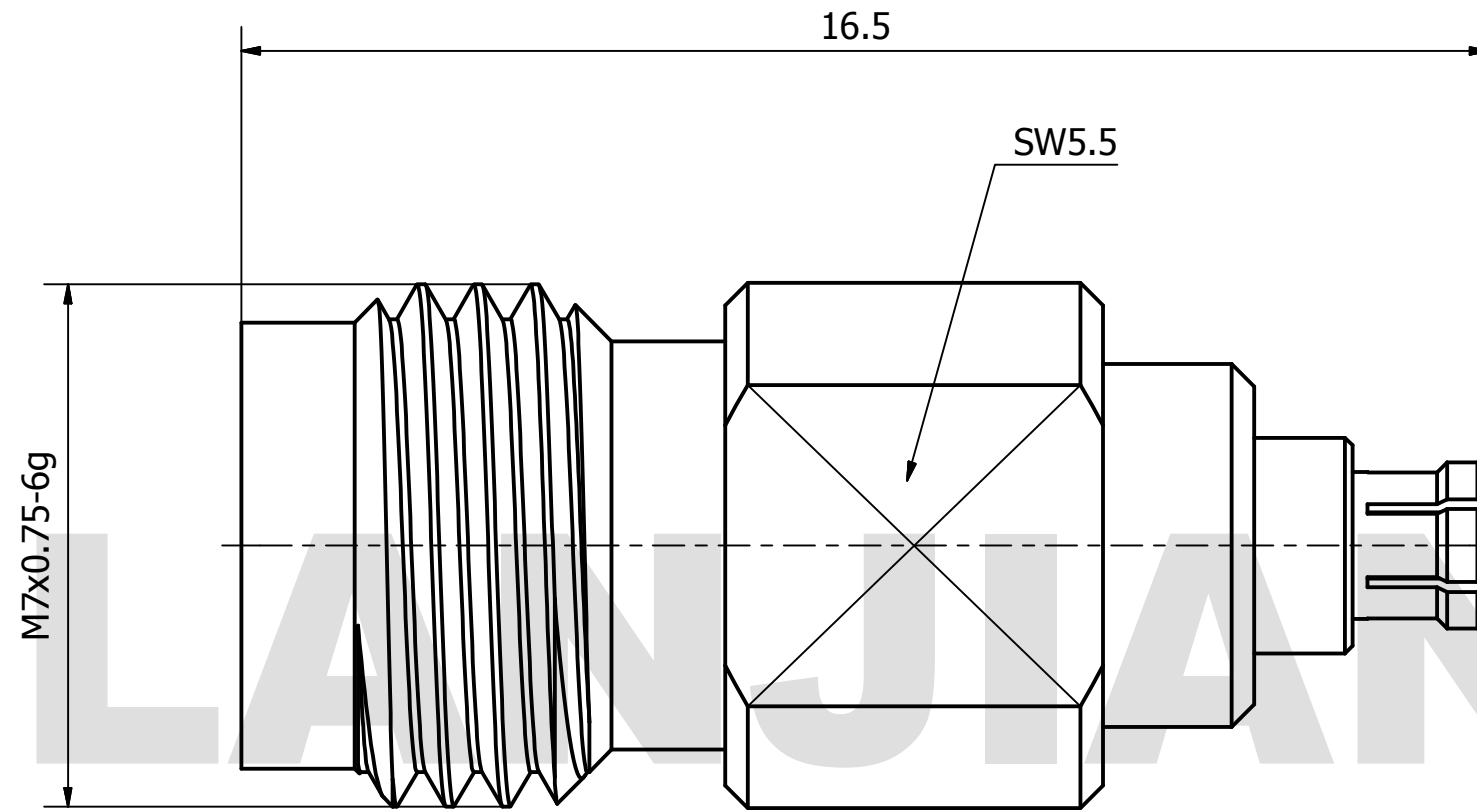


PRODUCT DATA SHEET



MATERIAL:
 BODY: BERYLLIUM COPPER PER ASTM B196.
 ALLOY NO. UNS C17300
 CONTACT: BERYLLIUM COPPER PER ASTM B196.
 ALLOY NO. UNS C17300
 INSULATOR: PEI

PERFORMANCE:
 IMPEDANCE: 50 OHMS
 FREQUENCY: DC TO 50 GHz
 VSWR: ≤1.30

THIS DOCUMENT CONTAINS CONFIDENTIAL AND PROPRIETARY INFORMATION THAT CANNOT BE REPRODUCED OR DIVULGED, IN WHOLE OR IN PART, WITHOUT WRITTEN AUTHORIZATION FROM "LANJIAN ELECTRONICS"	MATERIAL :			 38 Hengtong Road, Xinqu Dingmao Zhenjiang, 212009, Jiangsu, P. R. China
	UNLESS OTHERWISE SPECIFIED: DIMENSIONS IN MM			
	TOLERANCES :			
	X.X ±0.20	ANGULAR : ±1°	DEBURR AND	
	X.XX ±0.10	FILLETS R/C : ±0.10	BREAK SHARP	
	X.XXX ±0.01	SURFACE FINISH : Ra 1.6	EDGES	
DRAWN	NAME	DATE	SIGNATURE	TITLE <h2 style="margin: 0;">2.4/SMPM-KK straight adaptor</h2>
CHK'D				
APPV'D				
MFG				
PROJECTION	SIZE	SCALE		DWG No.
	A3	10 : 1		GCPZ3.640.BB.002
				REV.
DO NOT SCALE THE DRAWING				PAGE 1 / 1