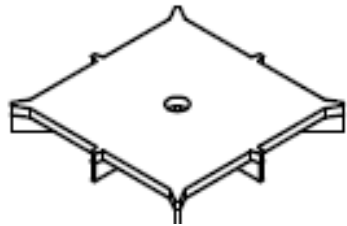
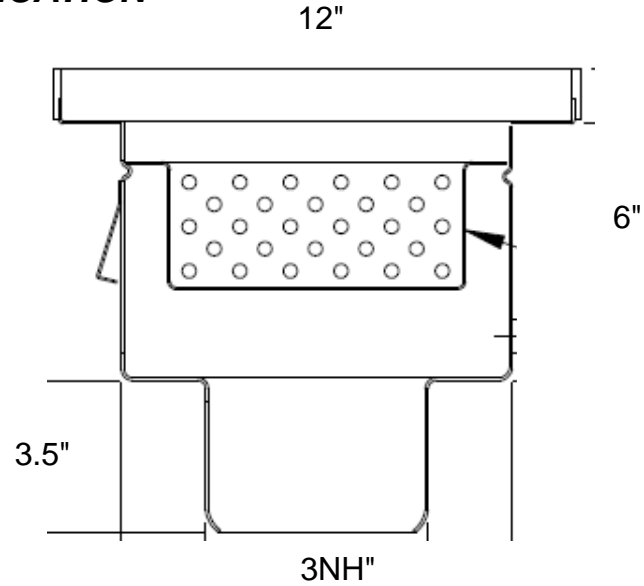


# WICKETTS STAINLESS

## SPECIFICATION

WFD-12-6-PDG-B-SQUARE  
12" FLOOR DRAIN



**Engineering Specification:** Construction 304 Stainless Steel Body Fully Welded; Solid Perimeter Drainage Grate ; Sediment Basket. ; Traffic Rated

**Wicketts Stainless, LLC.**  
2618 San Miguel Dr. Bldg. # 376  
Newport Beach, CA 92660  
Tel: 951-858-2548  
Fax: 951-638-9059  
sales@wickettsstainless.com  
www.wickettsstainless.com



Approved for Manufacturing  
Company: \_\_\_\_\_  
Signature: \_\_\_\_\_