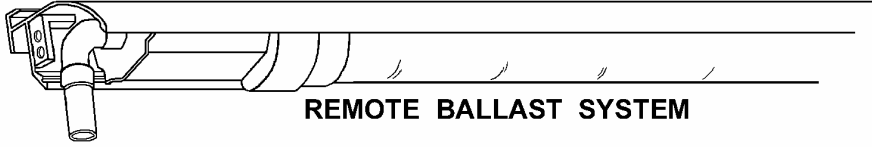
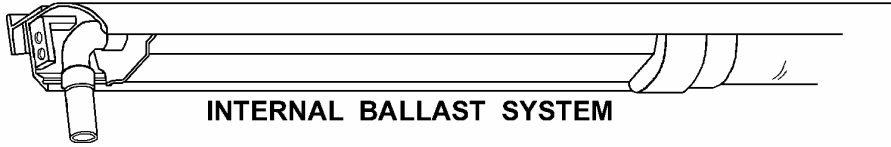


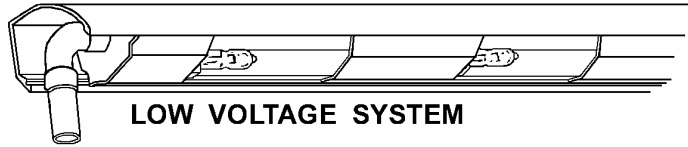
# SHOWCASE LIGHTING SYSTEMS



REMOTE BALLAST SYSTEM

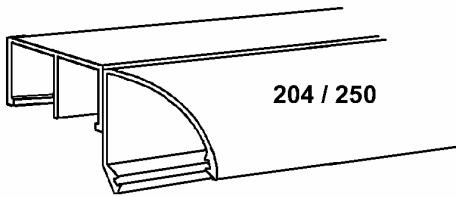


INTERNAL BALLAST SYSTEM

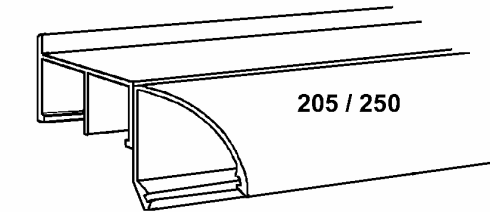


LOW VOLTAGE SYSTEM

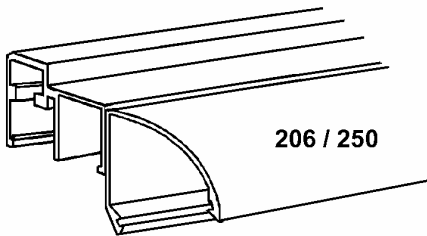
## LIGHTS ATTACHED TO DOOR TRACKS



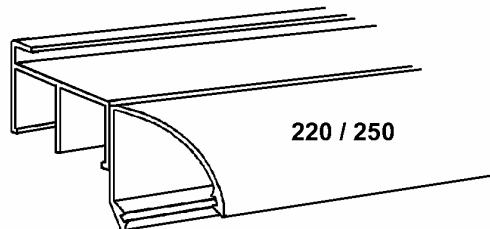
204 / 250



205 / 250

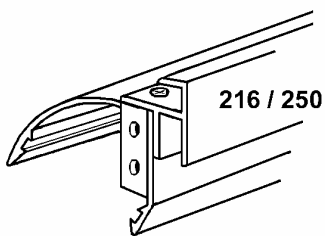


206 / 250

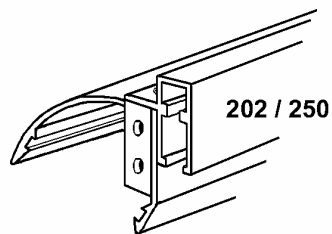


220 / 250

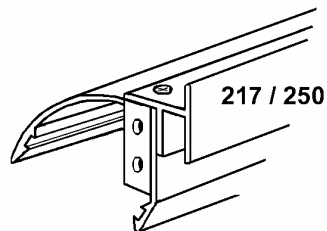
## LIGHTS ATTACHED TO FRONT RAILS



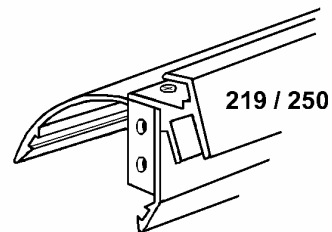
216 / 250



202 / 250



217 / 250

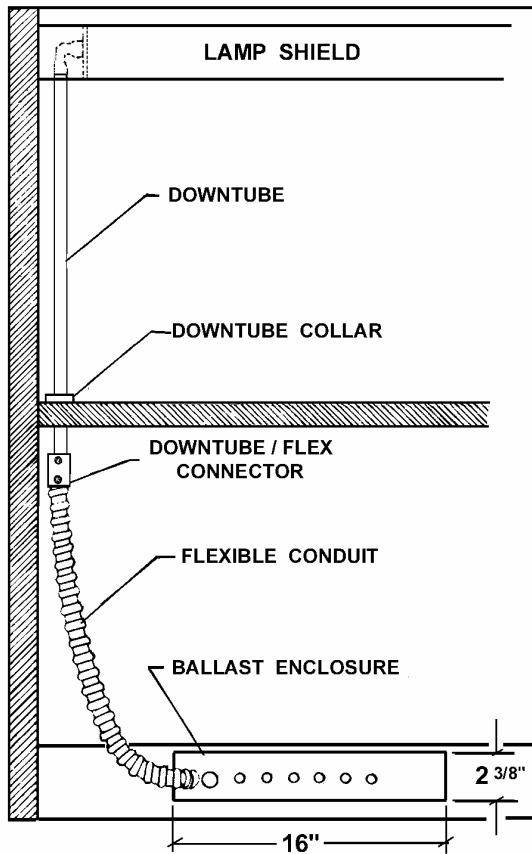


219 / 250

# STANDARD LAMPING SYSTEMS

( REMOTE BALLAST SYSTEM )

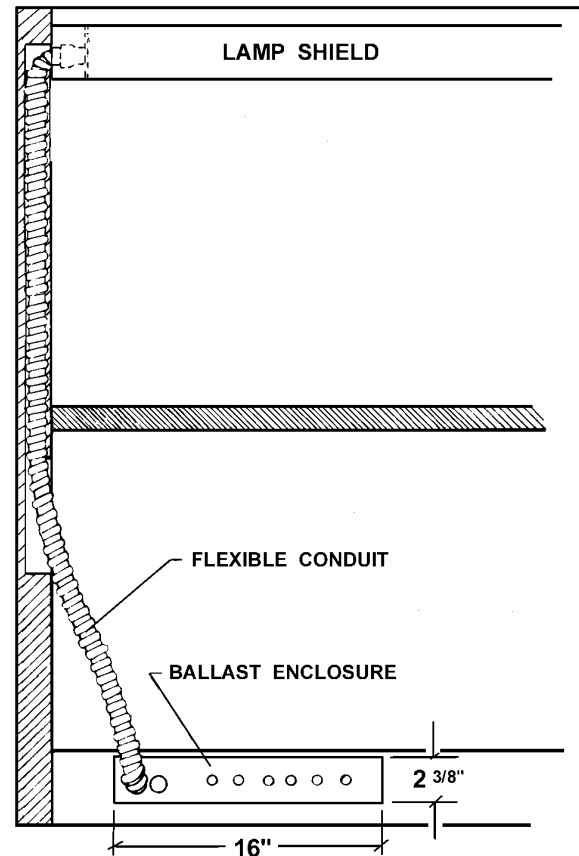
## FRONT FEED



### STANDARD UNIT INCLUDES:

- REFLECTOR
- 32" DOWNTUBE
- DOWNTUBE COLLAR
- DOWNTUBE / FLEX CONNECTOR
- FLEXIBLE CONDUIT @ 32"
- FLEX CONNECTOR ( STRAIGHT )
- BALLAST & BALLAST ENCLOSURE
- FLUORESCENT BULB
- COLOR CODED WIRE

## END FEED

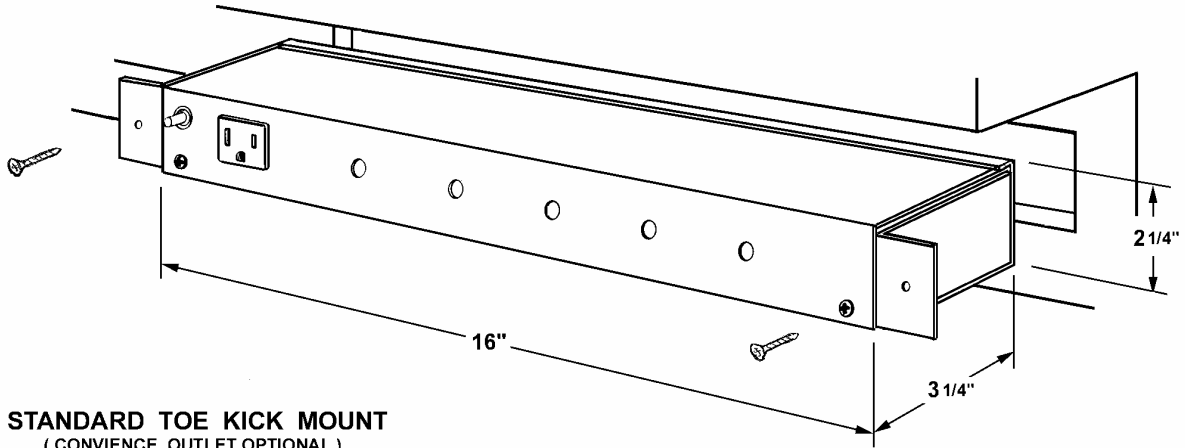


### STANDARD UNIT INCLUDES:

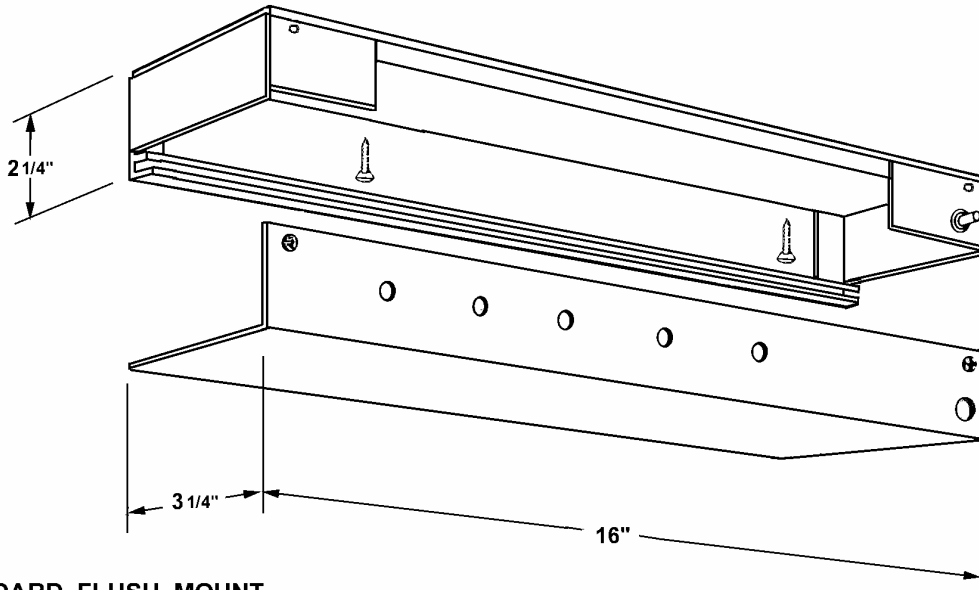
- REFLECTOR
- FLEXIBLE CONDUIT @ 72"
- FLEX CONNECTOR
- BALLAST & BALLAST ENCLOSURE
- FLUORESCENT BULB
- COLOR CODED WIRE

ALL LAMPING SYSTEMS ARE LISTED UNDER UL FILE NUMBER: E123228

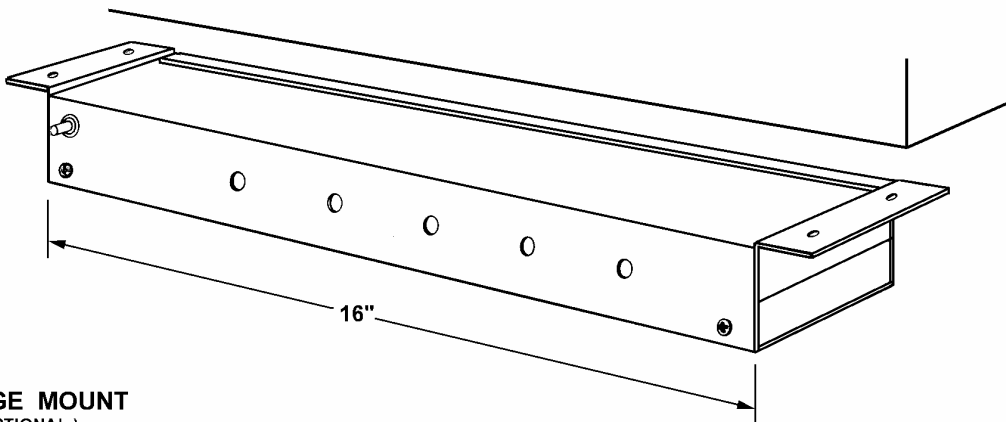
# BALLAST ENCLOSURES



**STANDARD TOE KICK MOUNT**  
(CONVIENCE OUTLET OPTIONAL)

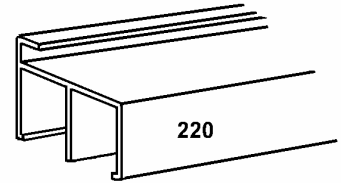
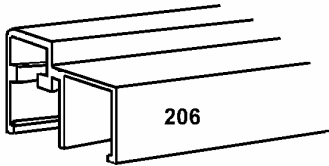
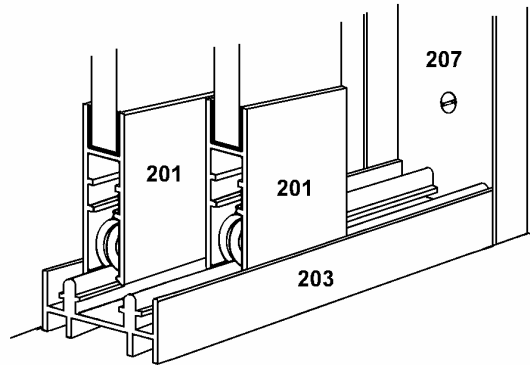
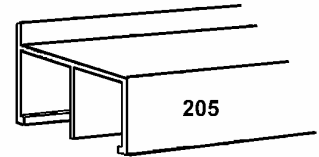
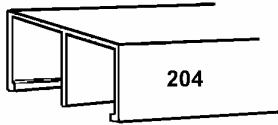


**STANDARD FLUSH MOUNT**

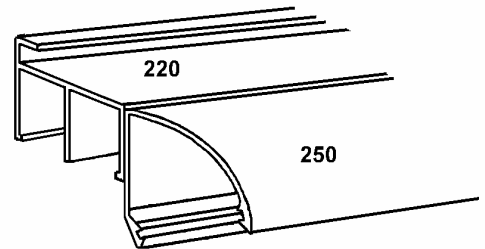
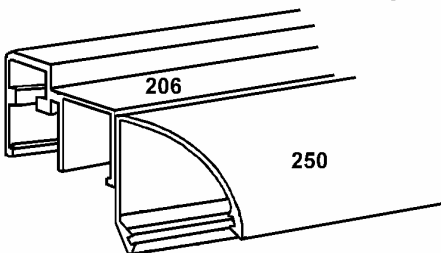
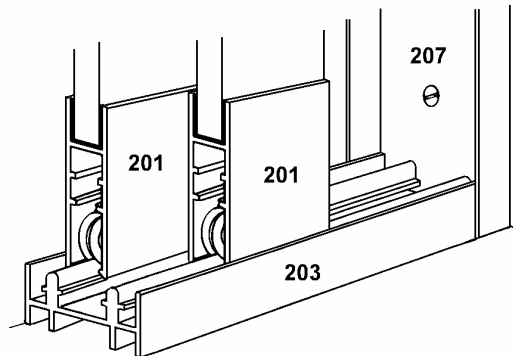
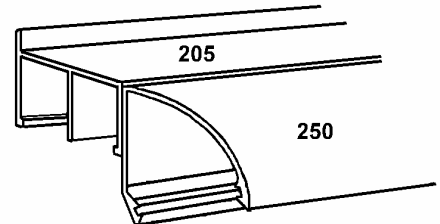
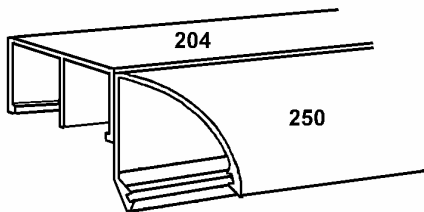


**FLANGE MOUNT**  
(OPTIONAL)

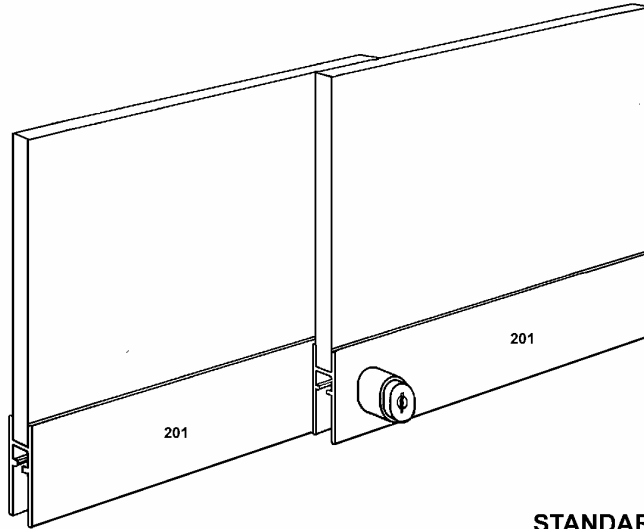
## DOOR TRACK SYSTEMS



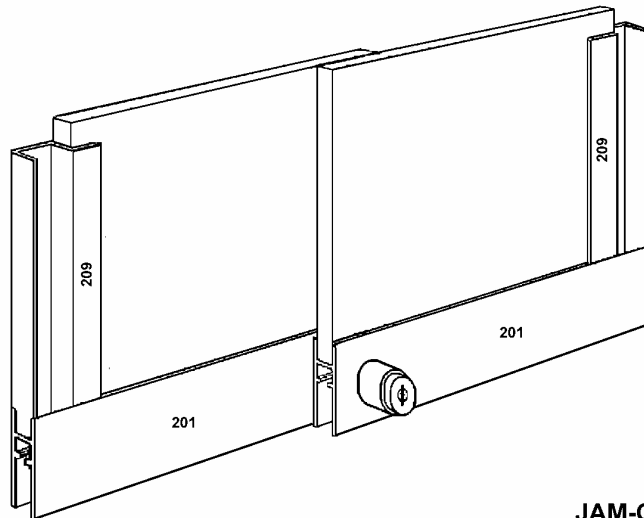
## DOOR TRACK SYSTEMS w / Lamp Shield Attached



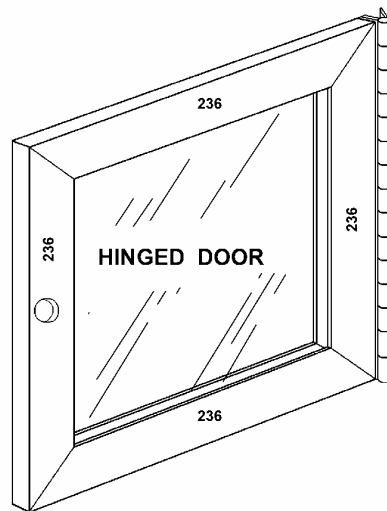
# DOOR STYLES



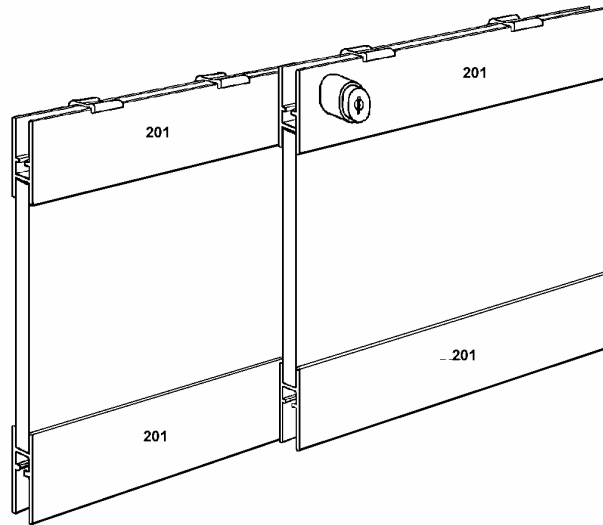
STANDARD DOOR FRAME (A)



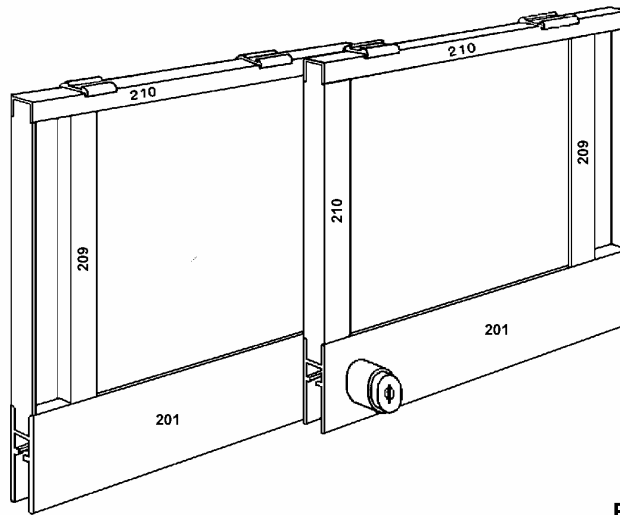
JAM-ON DOOR PULLS (B)



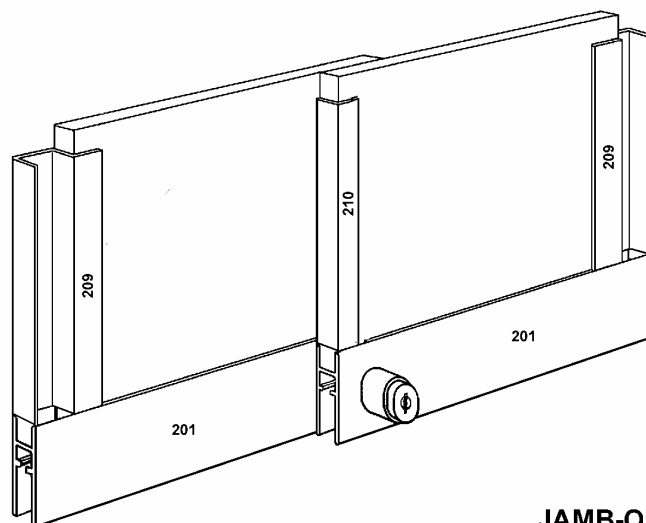
HINGE DOOR (C)



**TOP-LOCK DOORS (D)**

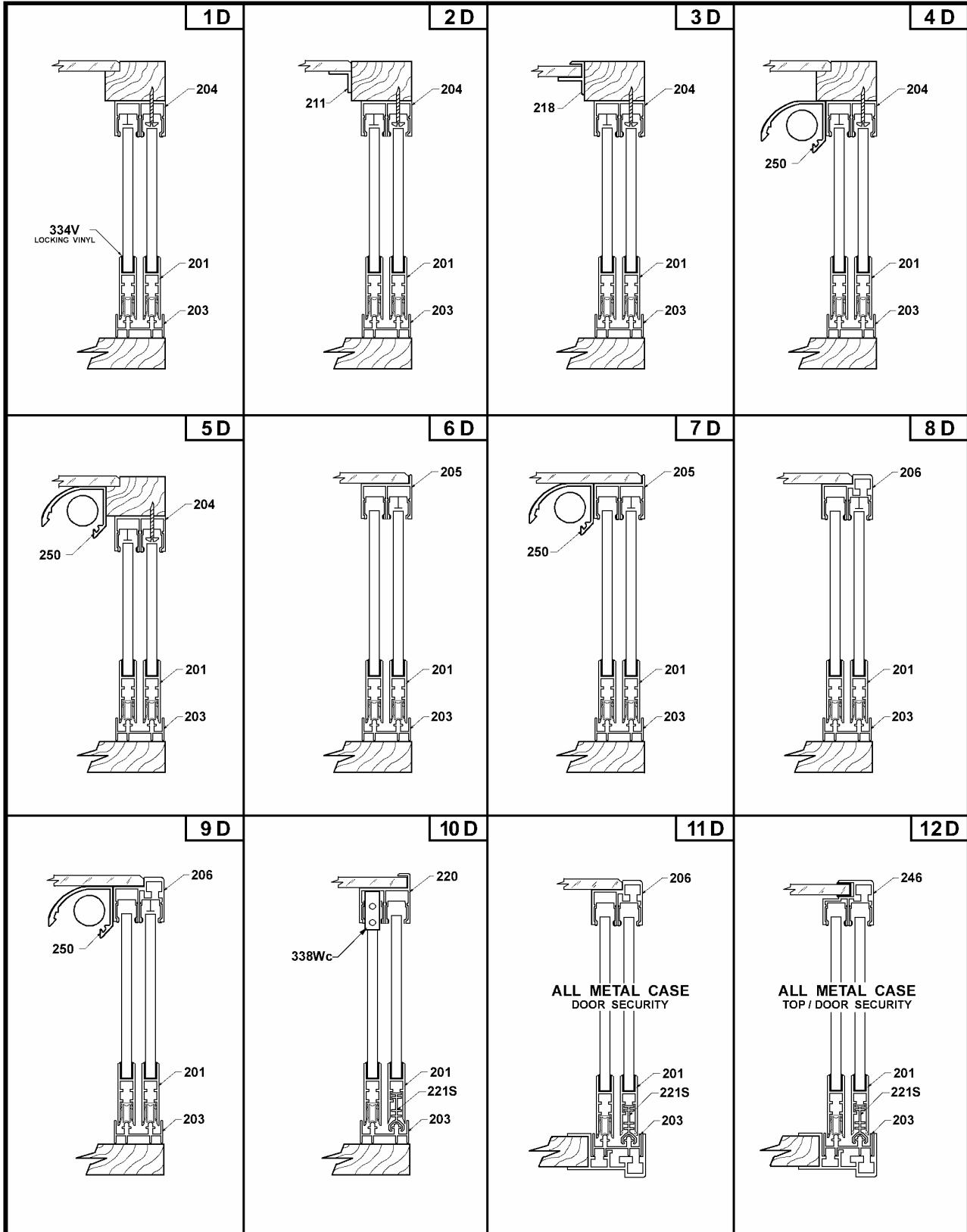


**FULL FRAME DOOR (E)**

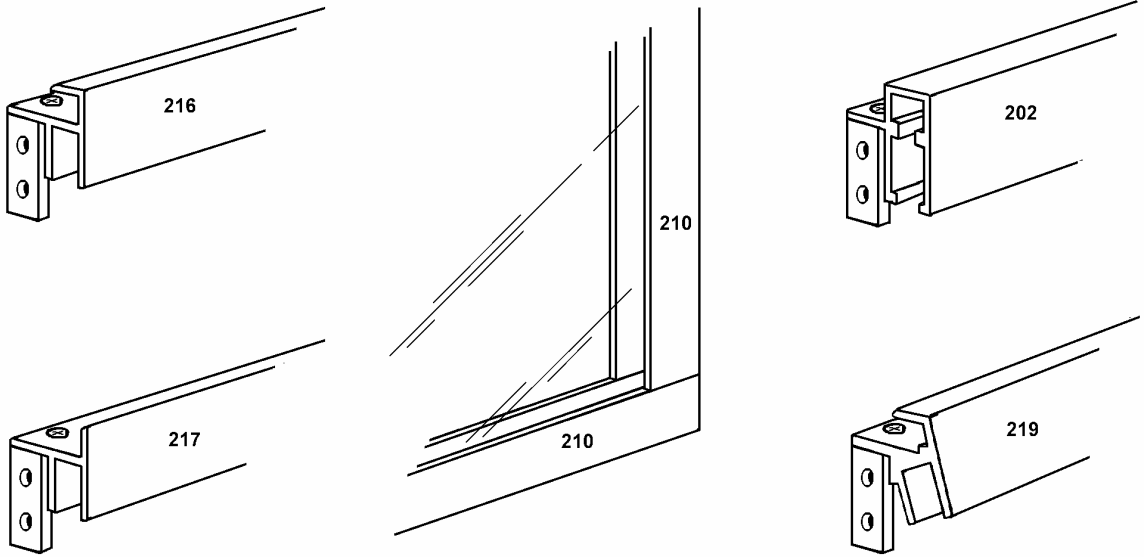


**JAMB-ON DOOR FRAME (F)**

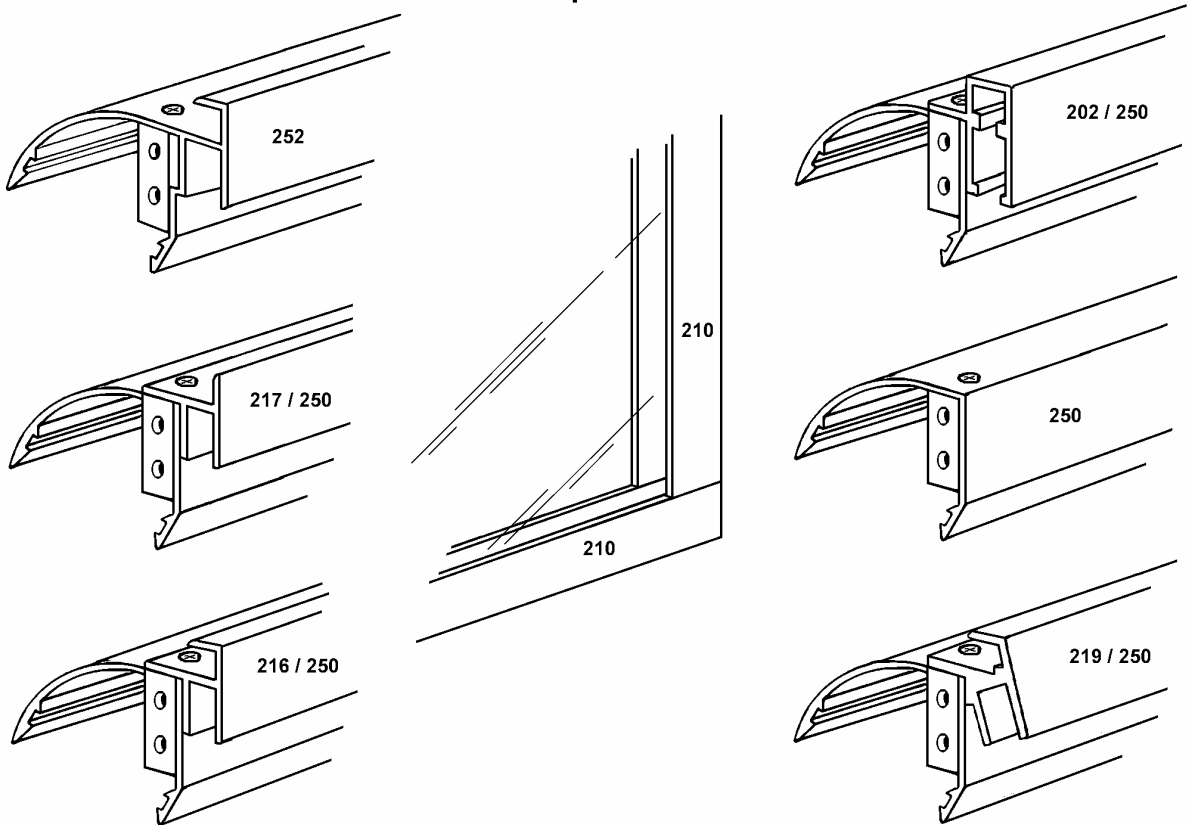
# SLIDING DOOR REFERENCE PAGE



## TOP FRONT RAIL SYSTEMS w / Front Glass Capture

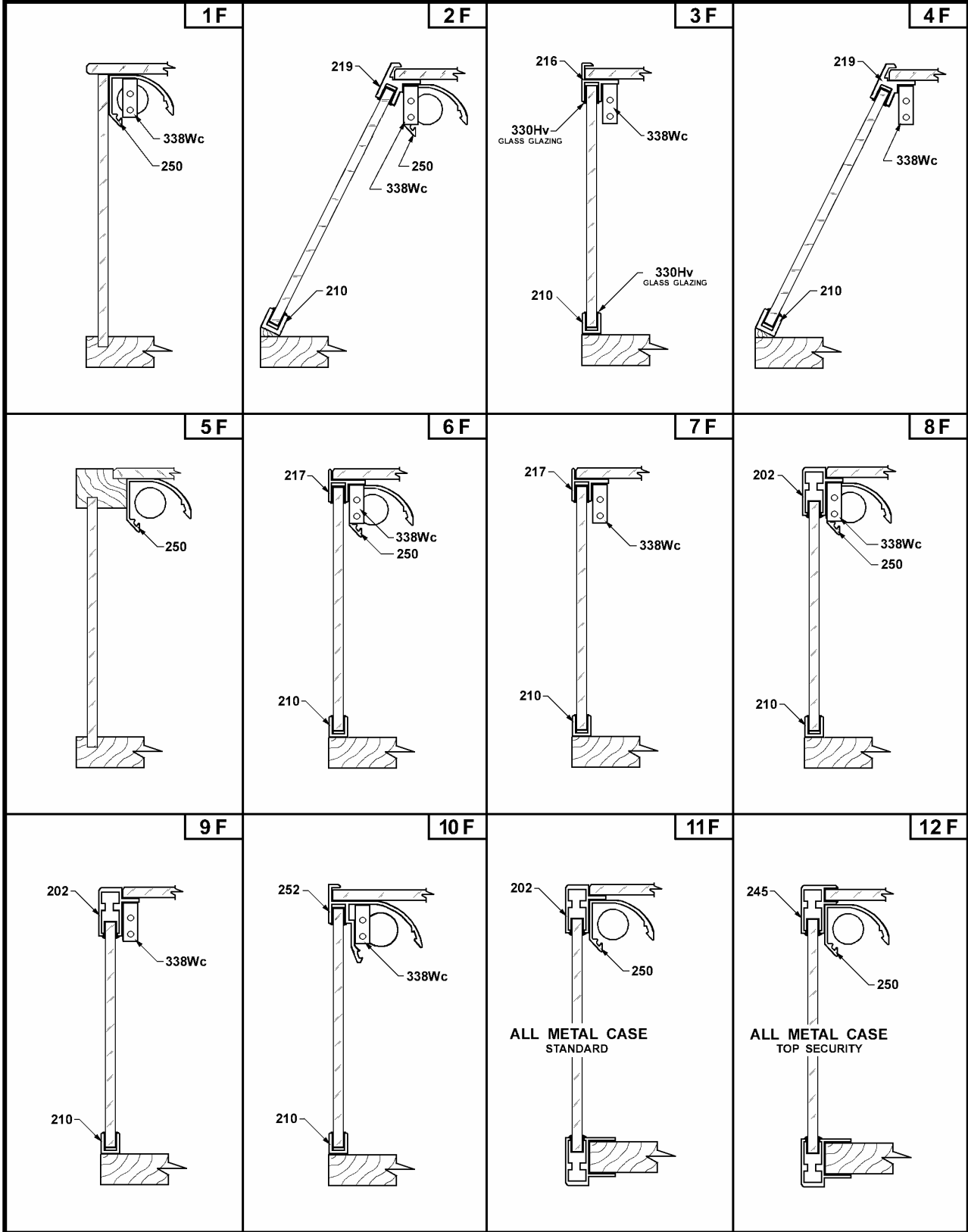


## TOP FRONT RAIL SYSTEMS w / Lamp Attached

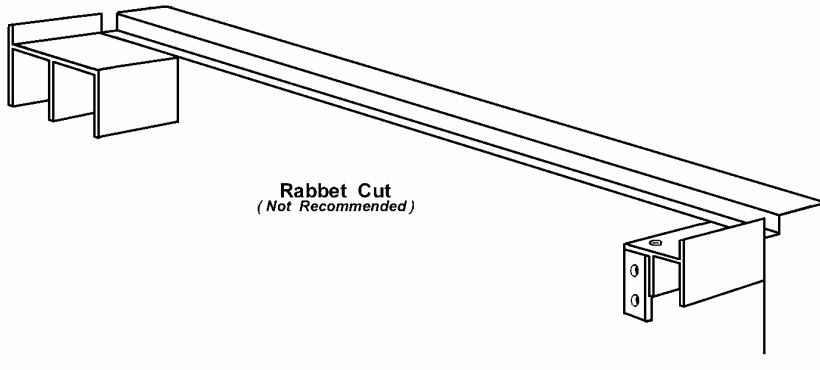
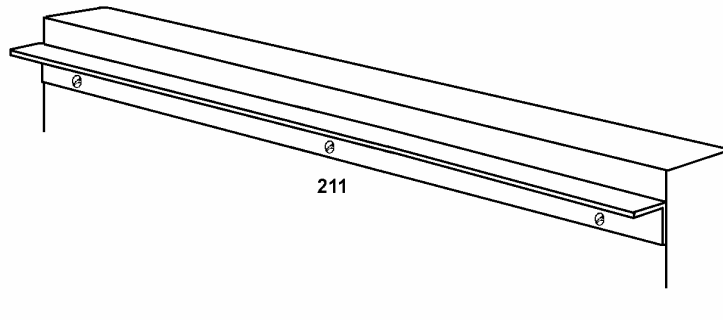
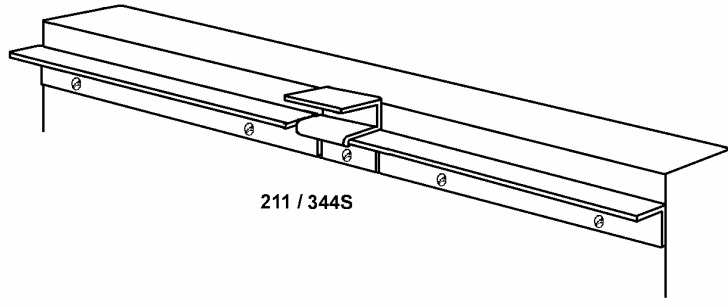
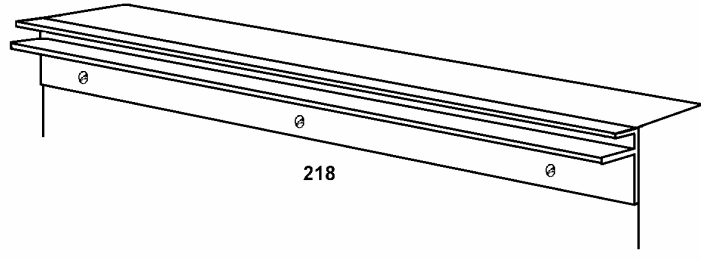




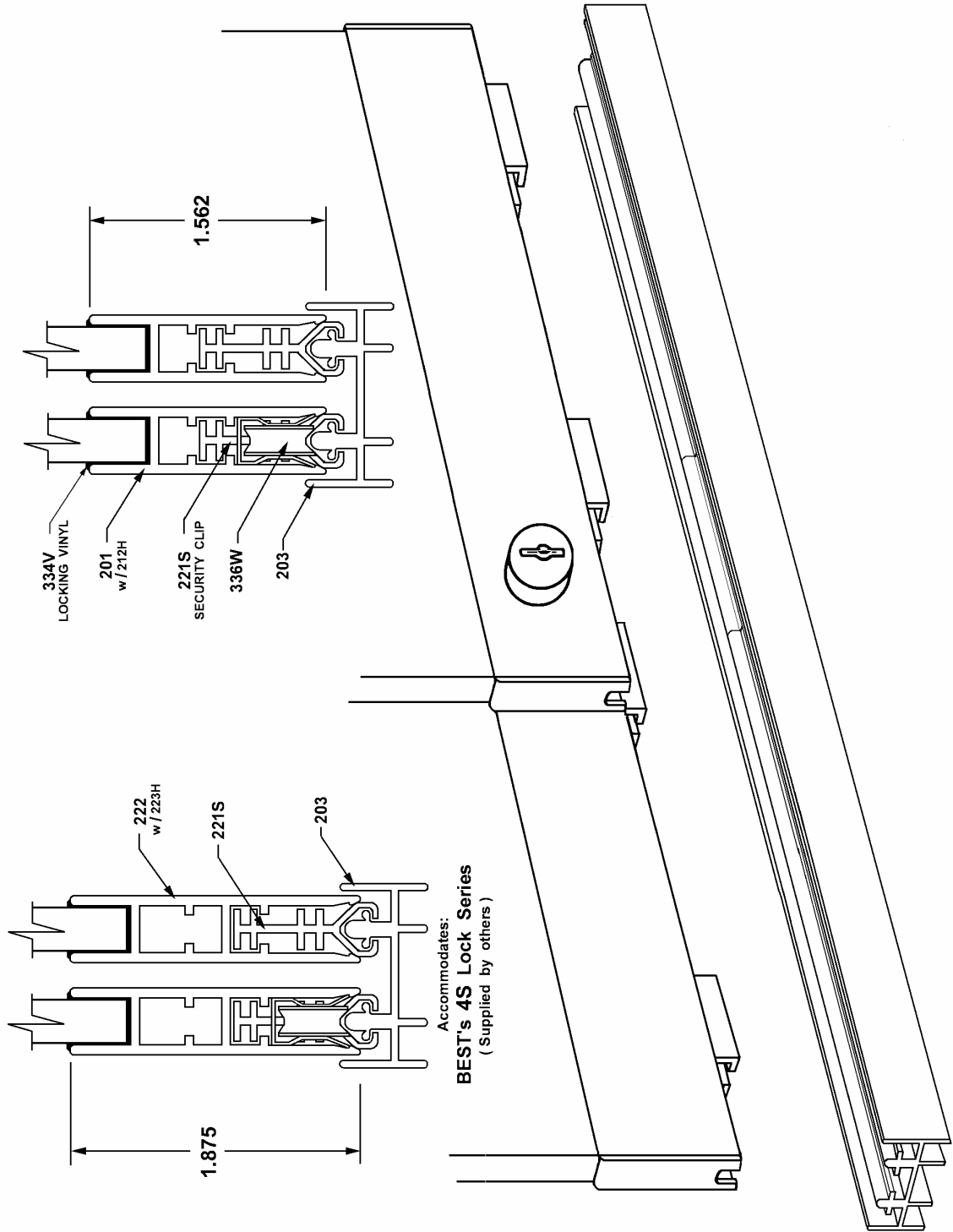
# CASE FRONT REFERENCE PAGE



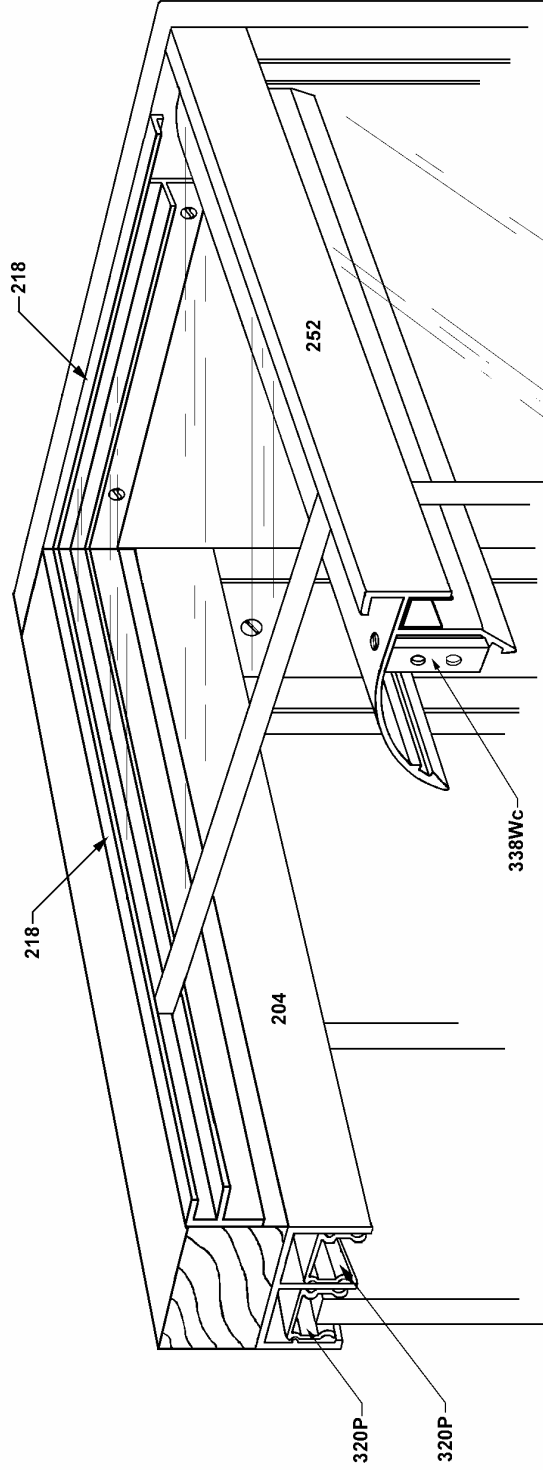
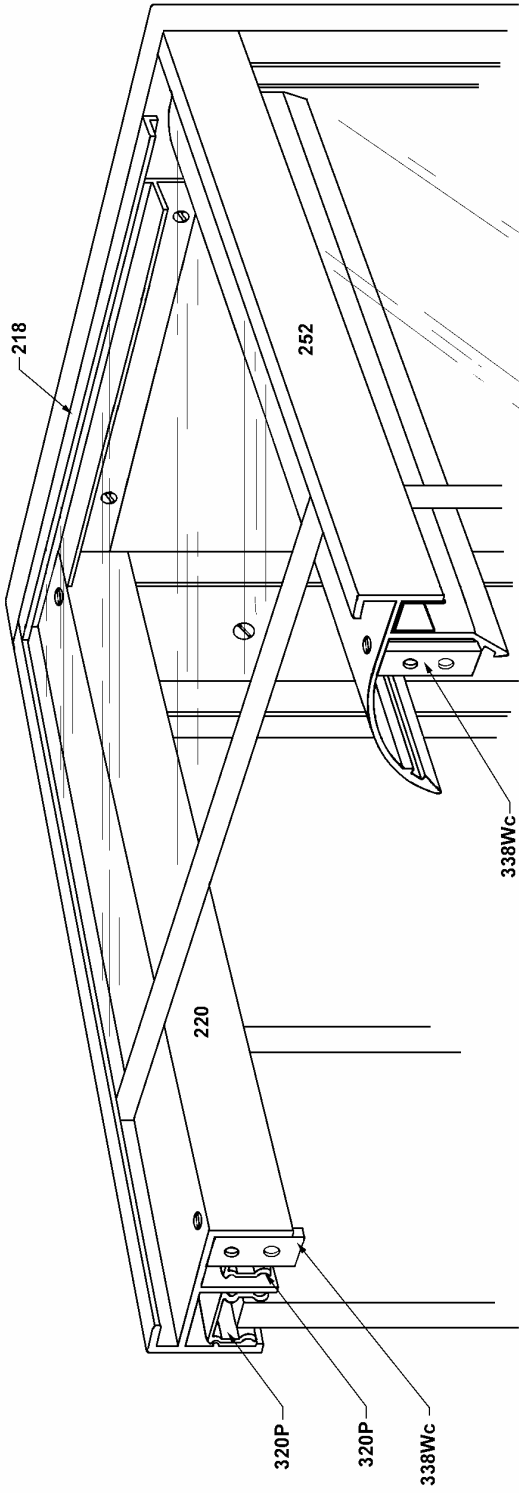
# SIDE RAIL SYSTEMS



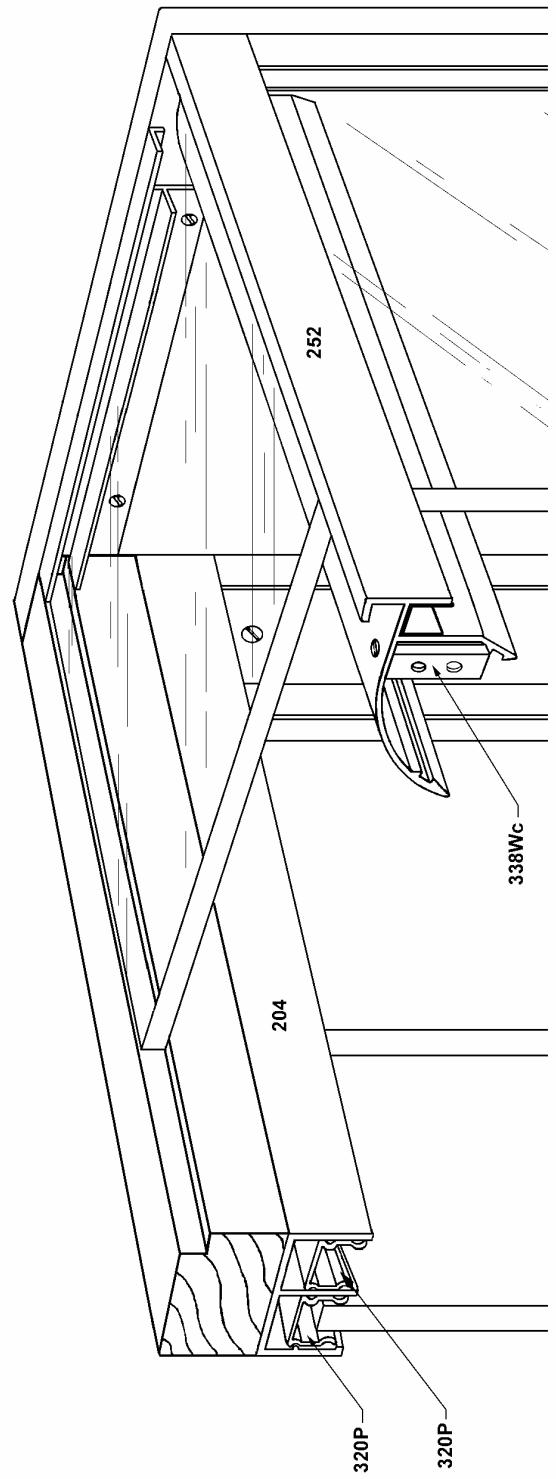
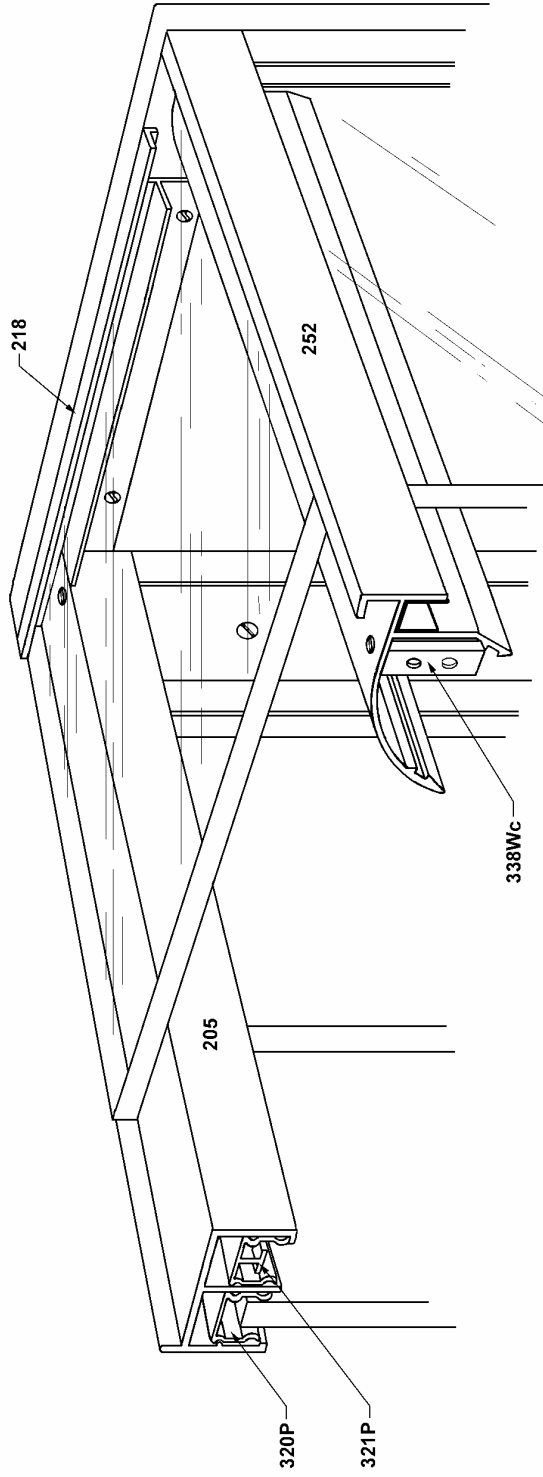
**221S SLIDING DOOR SECURITY SYSTEM**  
 (For WoodEnd and All Metal Showcases)

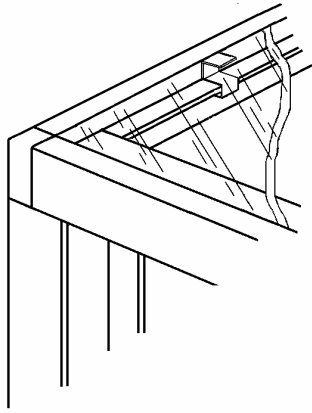


# FULL WOODEND TOP GLASS SECURITY

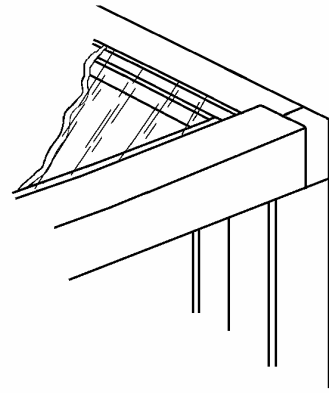


### 3 SIDED WOODEND TOP GLASS SECURITY

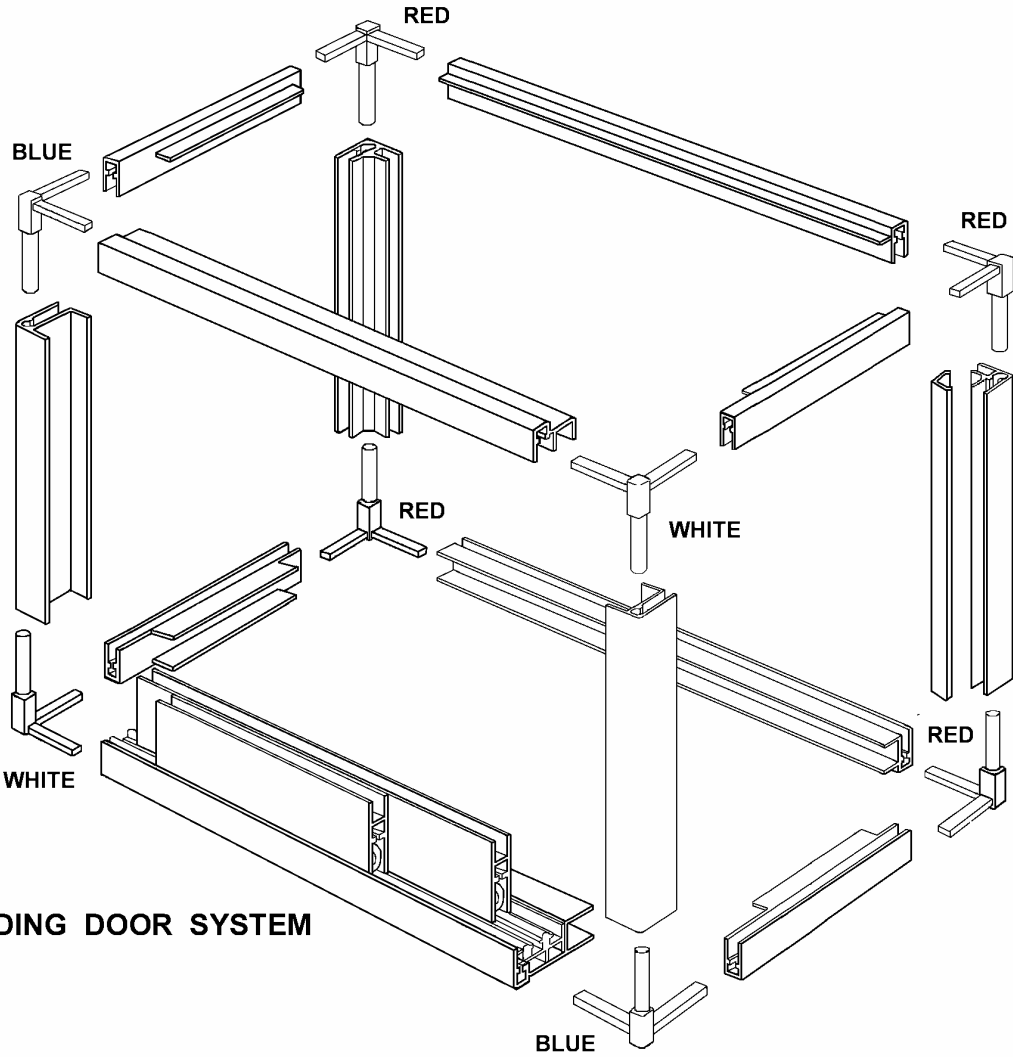




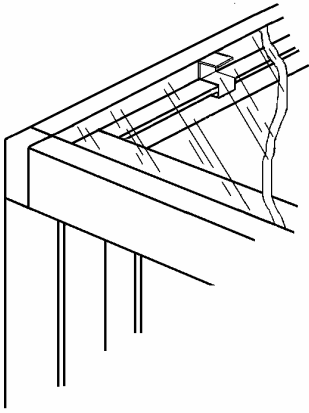
**TOP GLASS SECURITY CLIPS**  
STANDARD ( 2 Per Case )



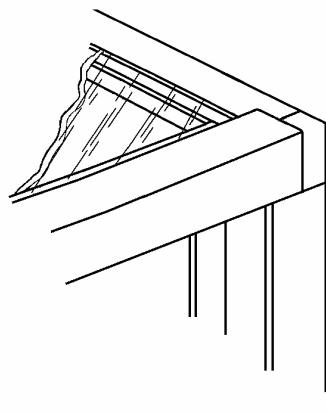
**TOP GLASS SECURITY RAILS**  
OPTIONAL ( Complete Top Capture )



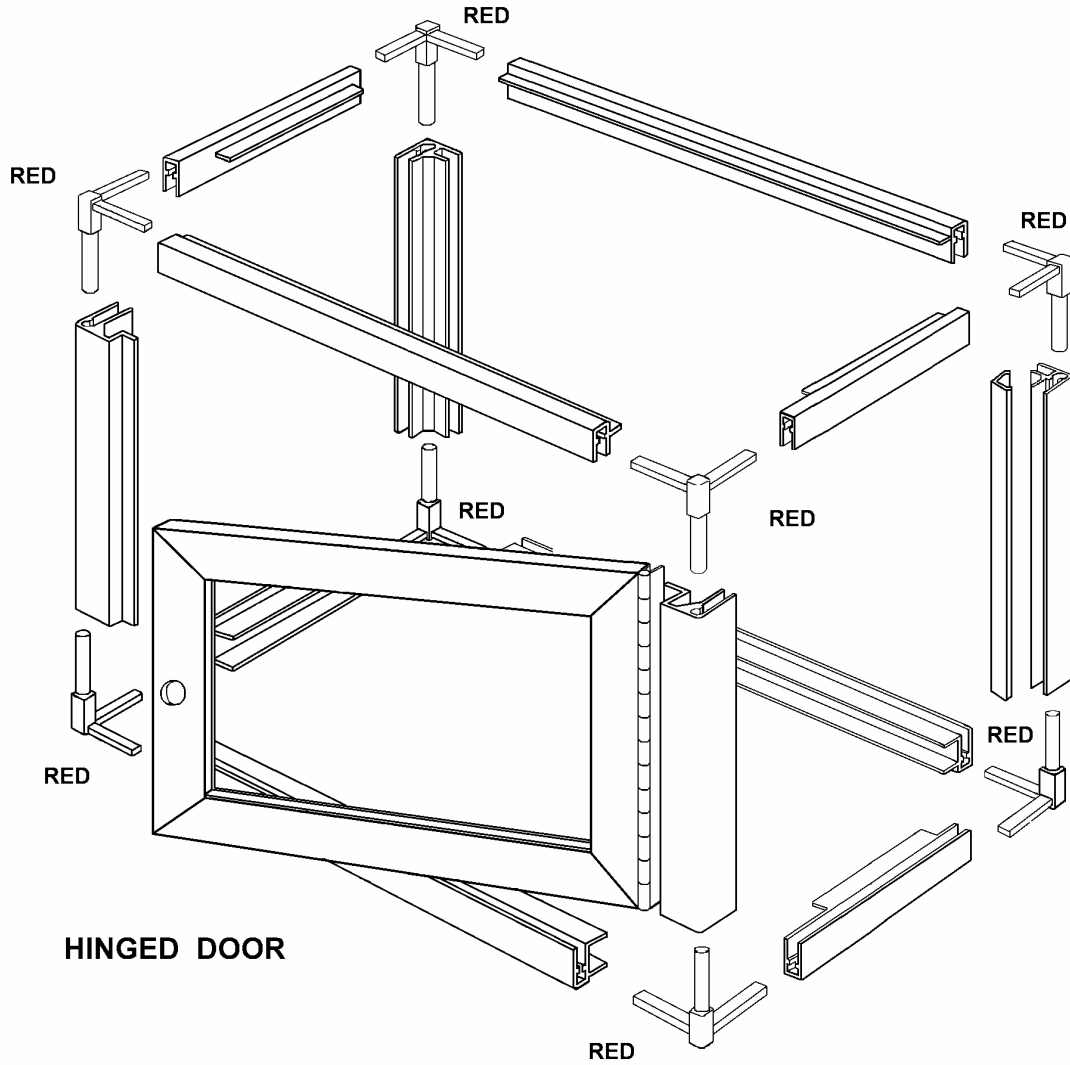
**SLIDING DOOR SYSTEM**



**TOP GLASS SECURITY CLIPS**  
STANDARD ( 2 Per Case )

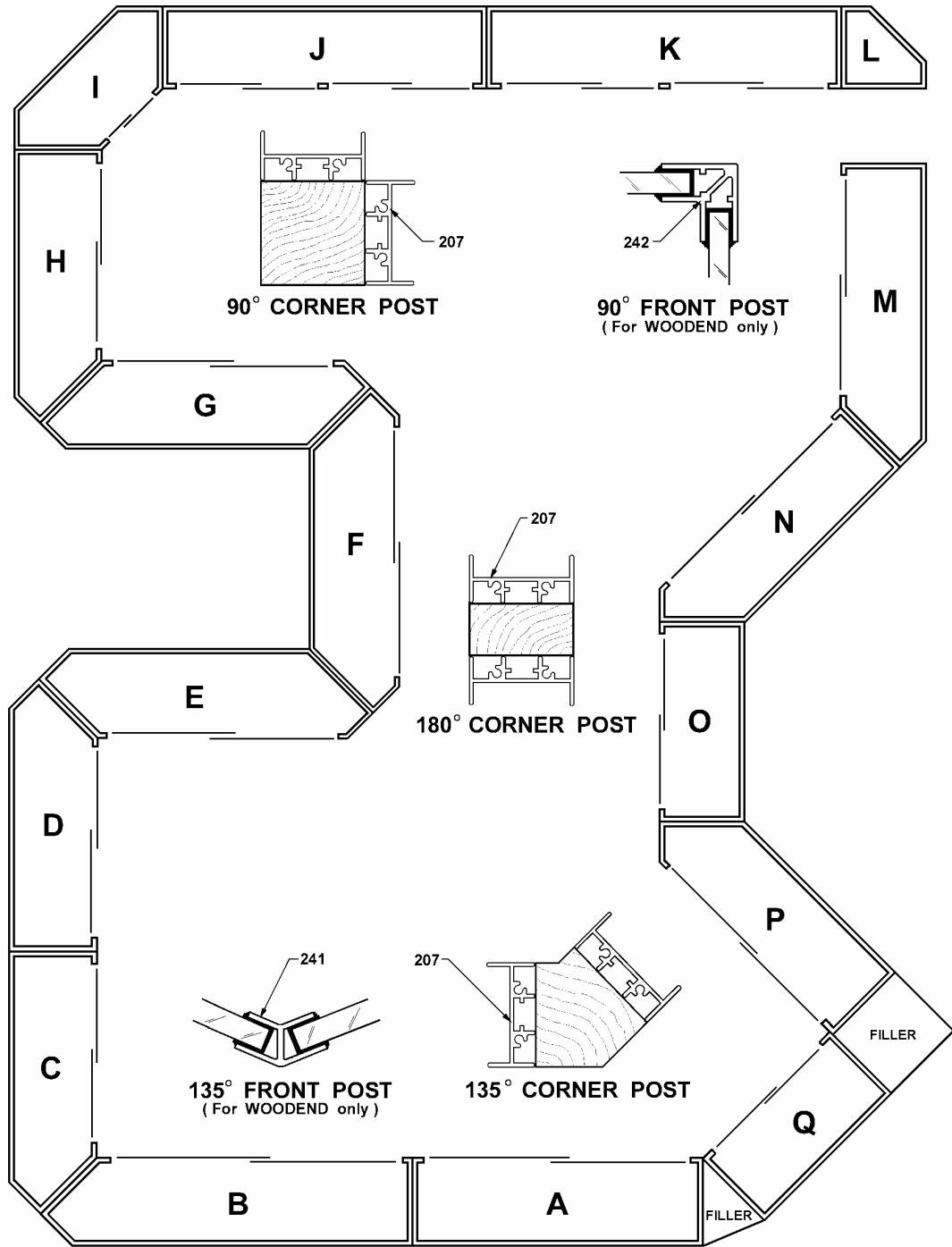


**TOP GLASS SECURITY RAILS**  
OPTIONAL ( Complete Top Capture )



# SHOWCASE CORNERING OPTIONS

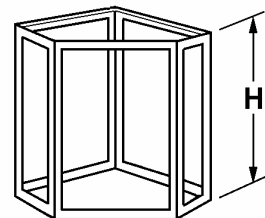
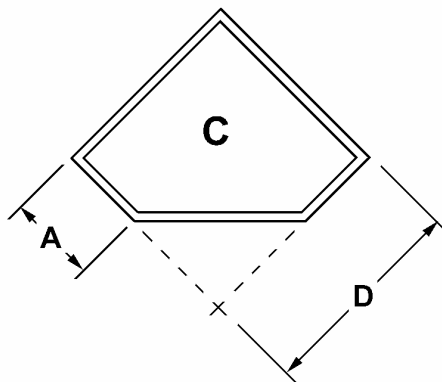
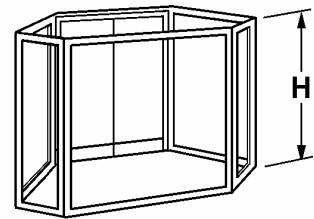
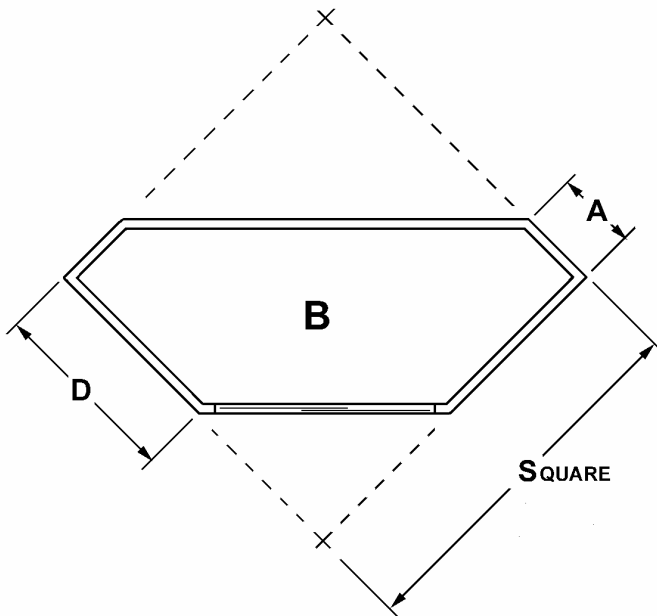
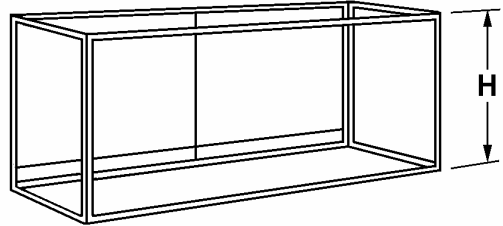
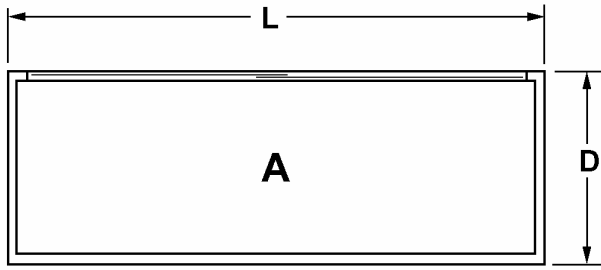
(For All Metal Showcases)





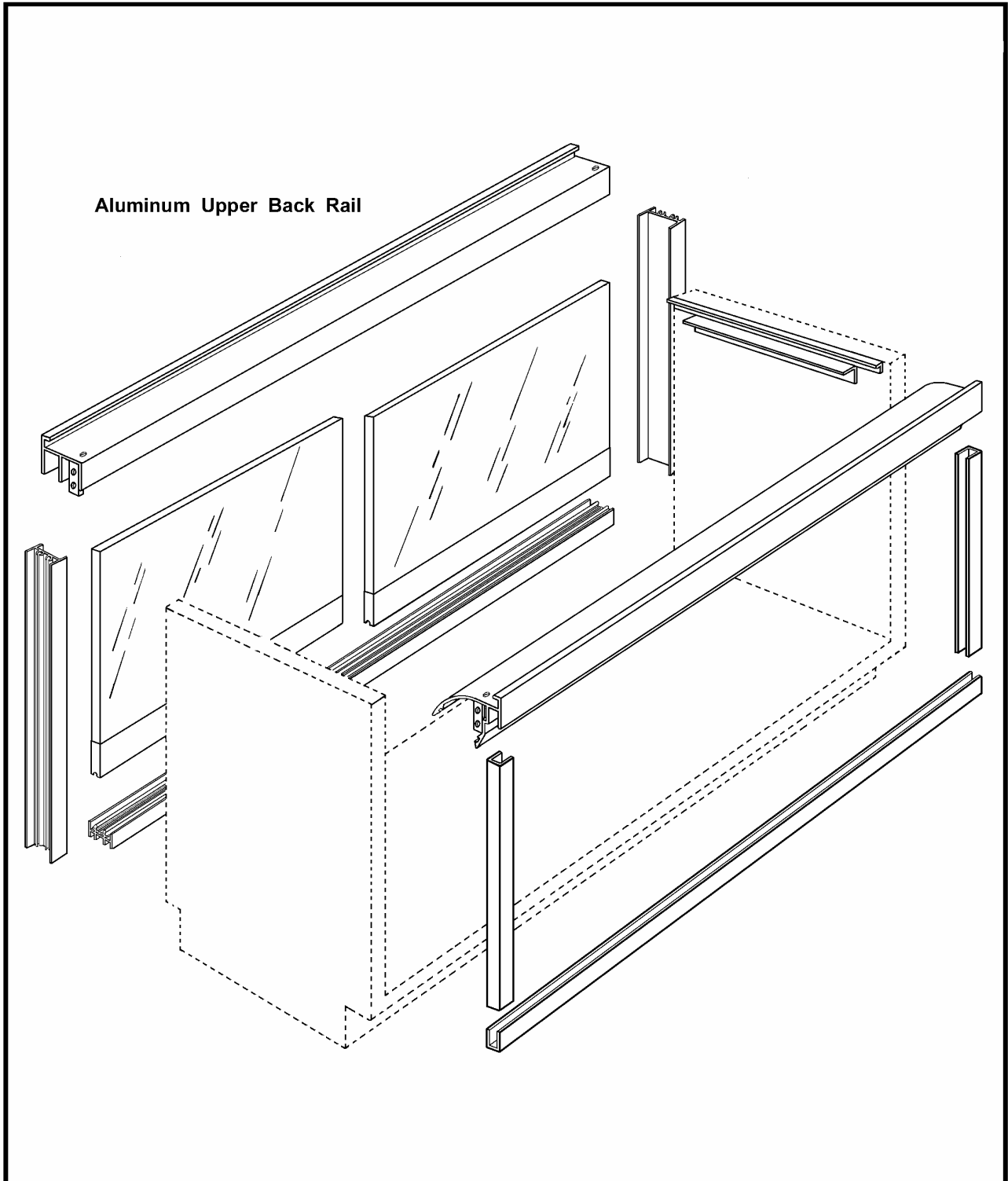
# CASE CONFIGURATIONS

(For Design Purposes Only)

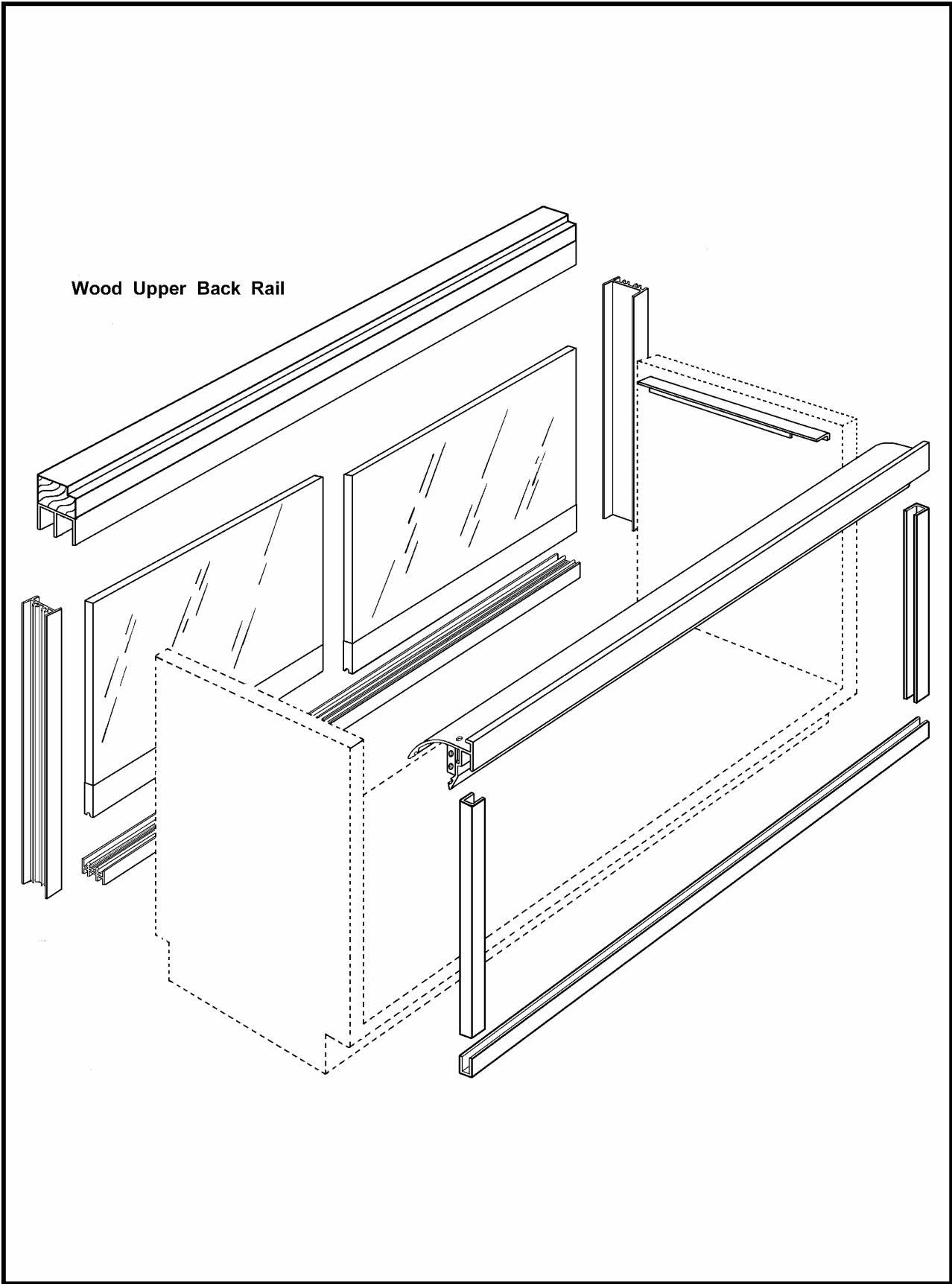


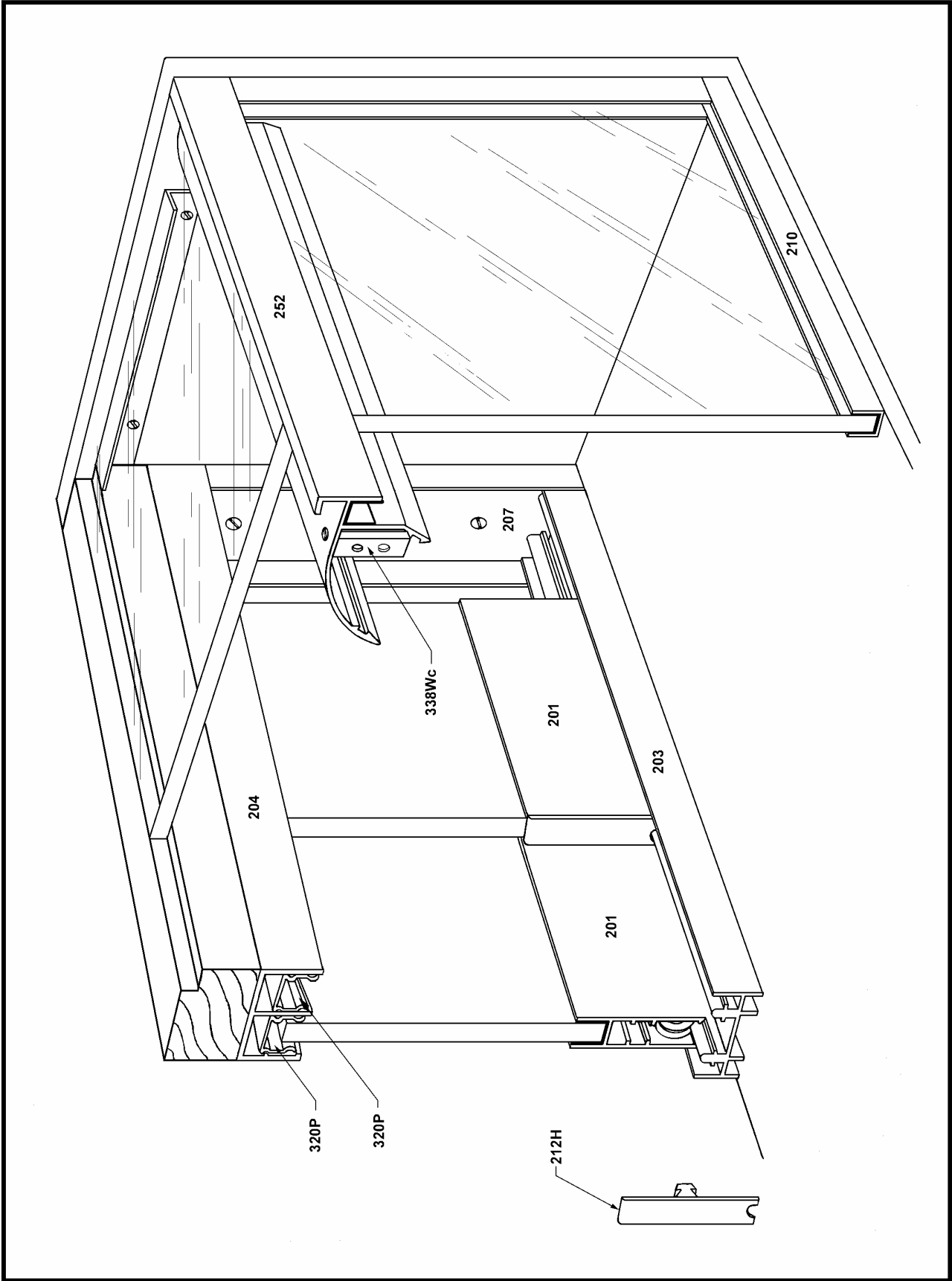
## TYPICAL WOODEND CONSTRUCTION METHODS

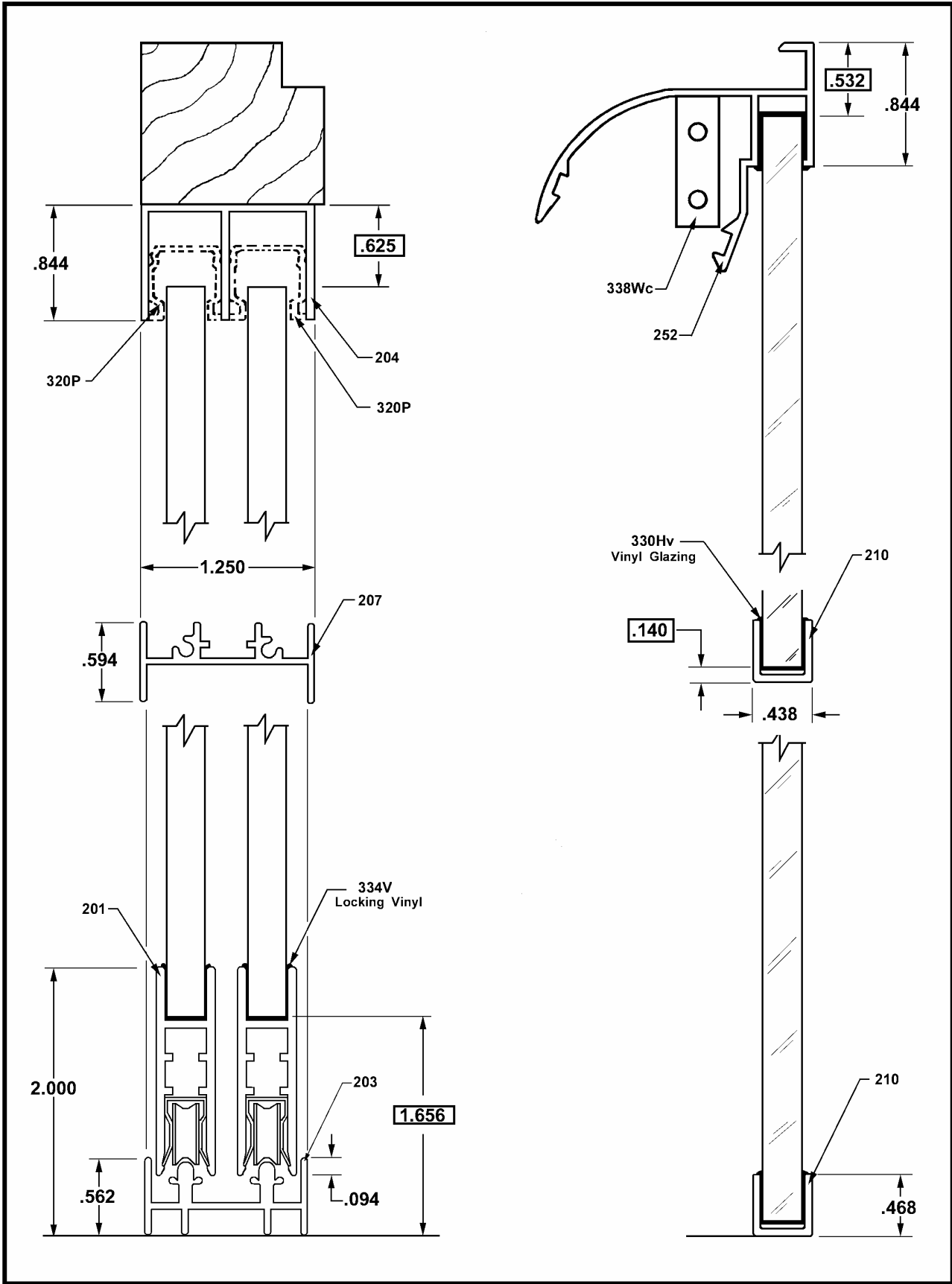
SCI showcase hardware gives the fixture manufacturer the ability to create any style of WoodEnd showcase imaginable. The following pages contain some basic construction concepts that we hope you find helpful.

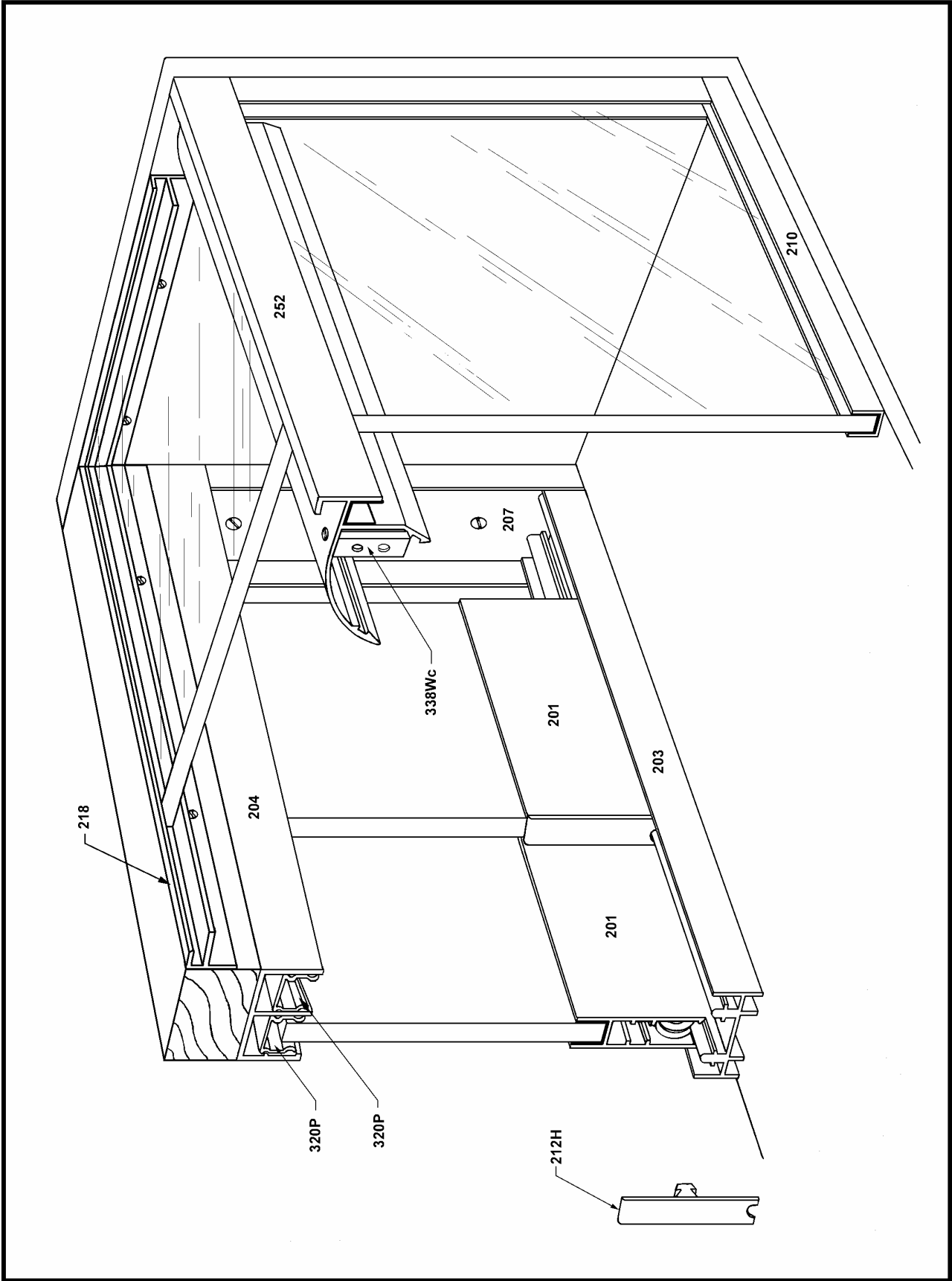


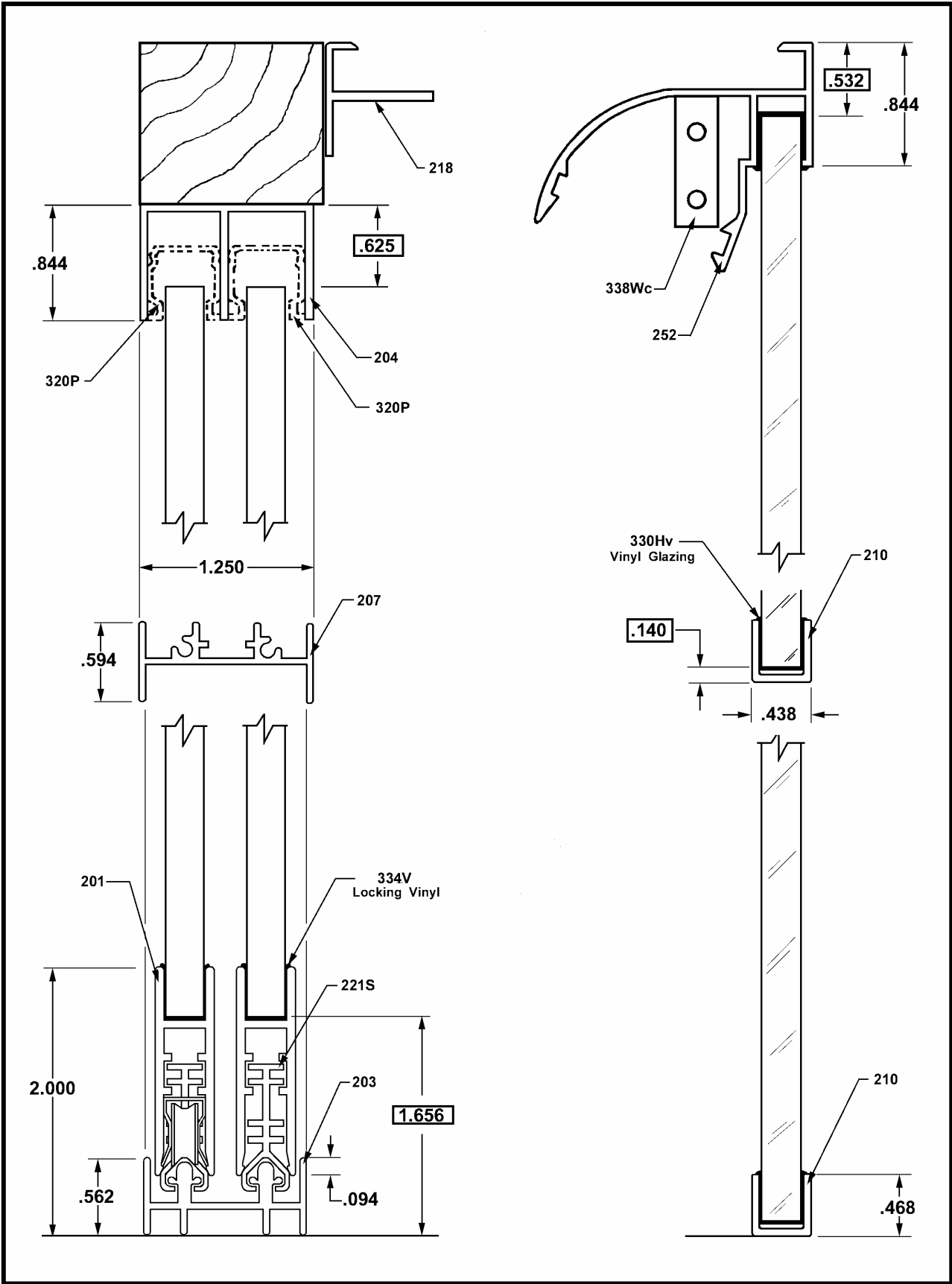
Wood Upper Back Rail

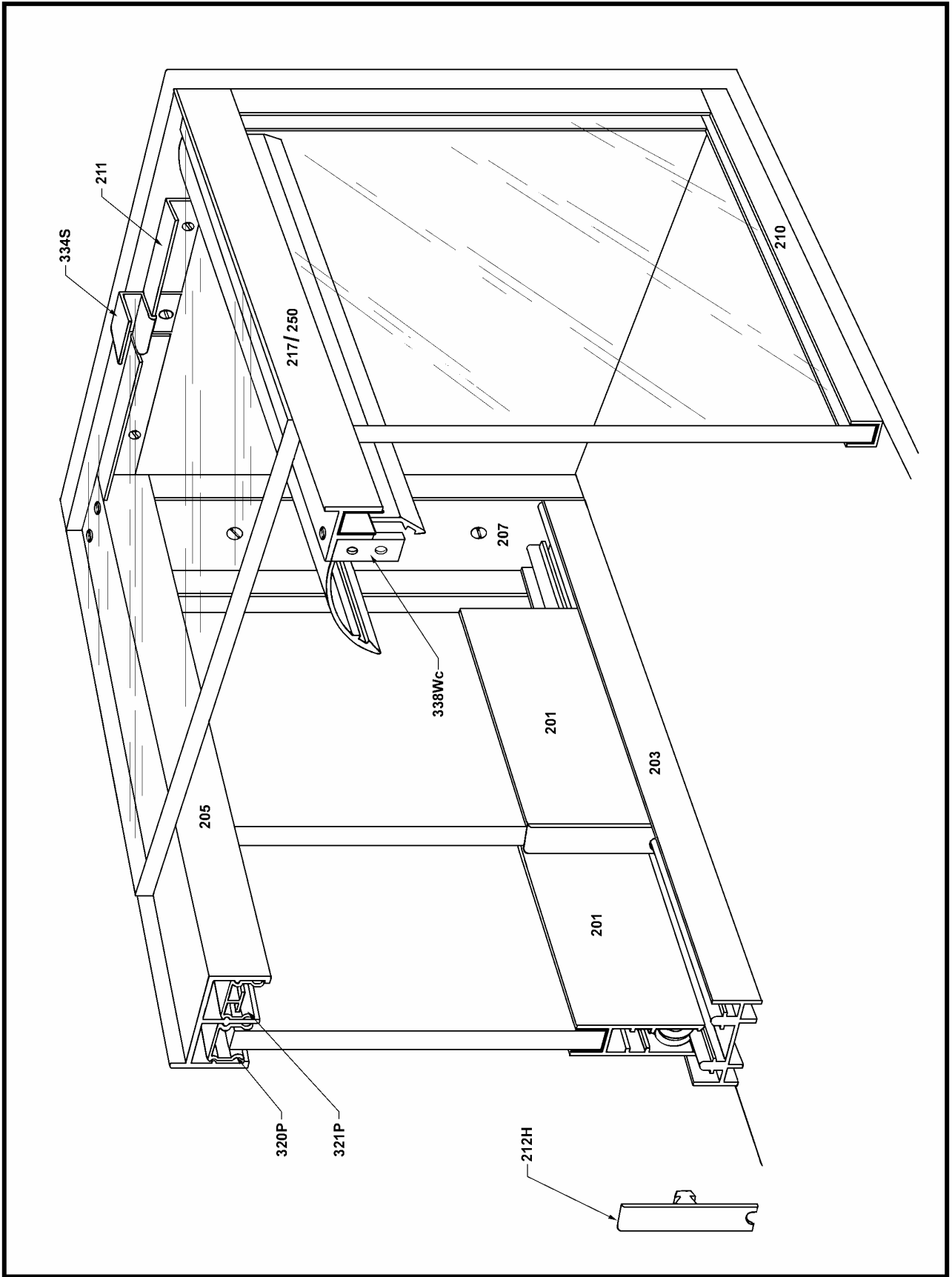




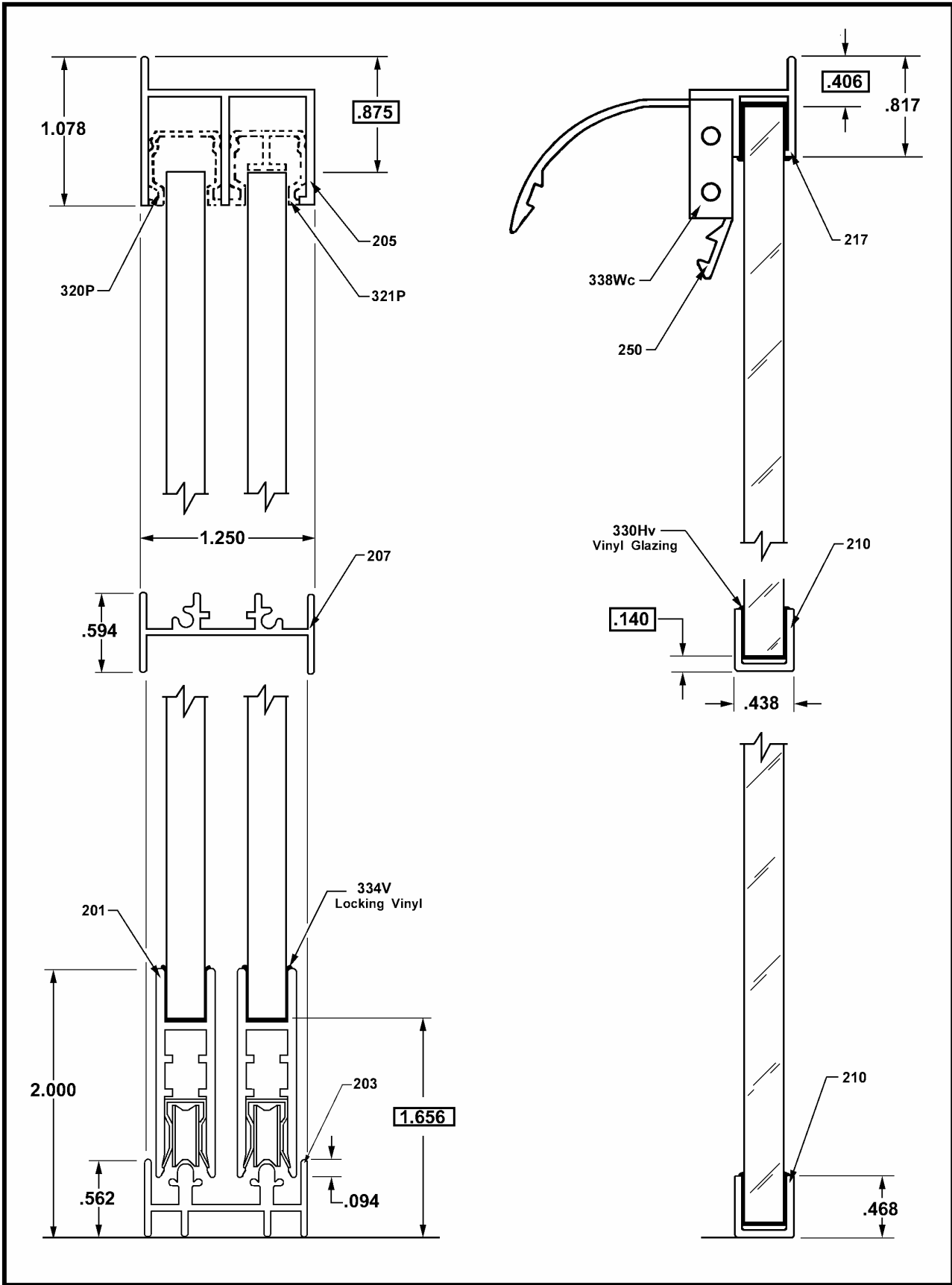


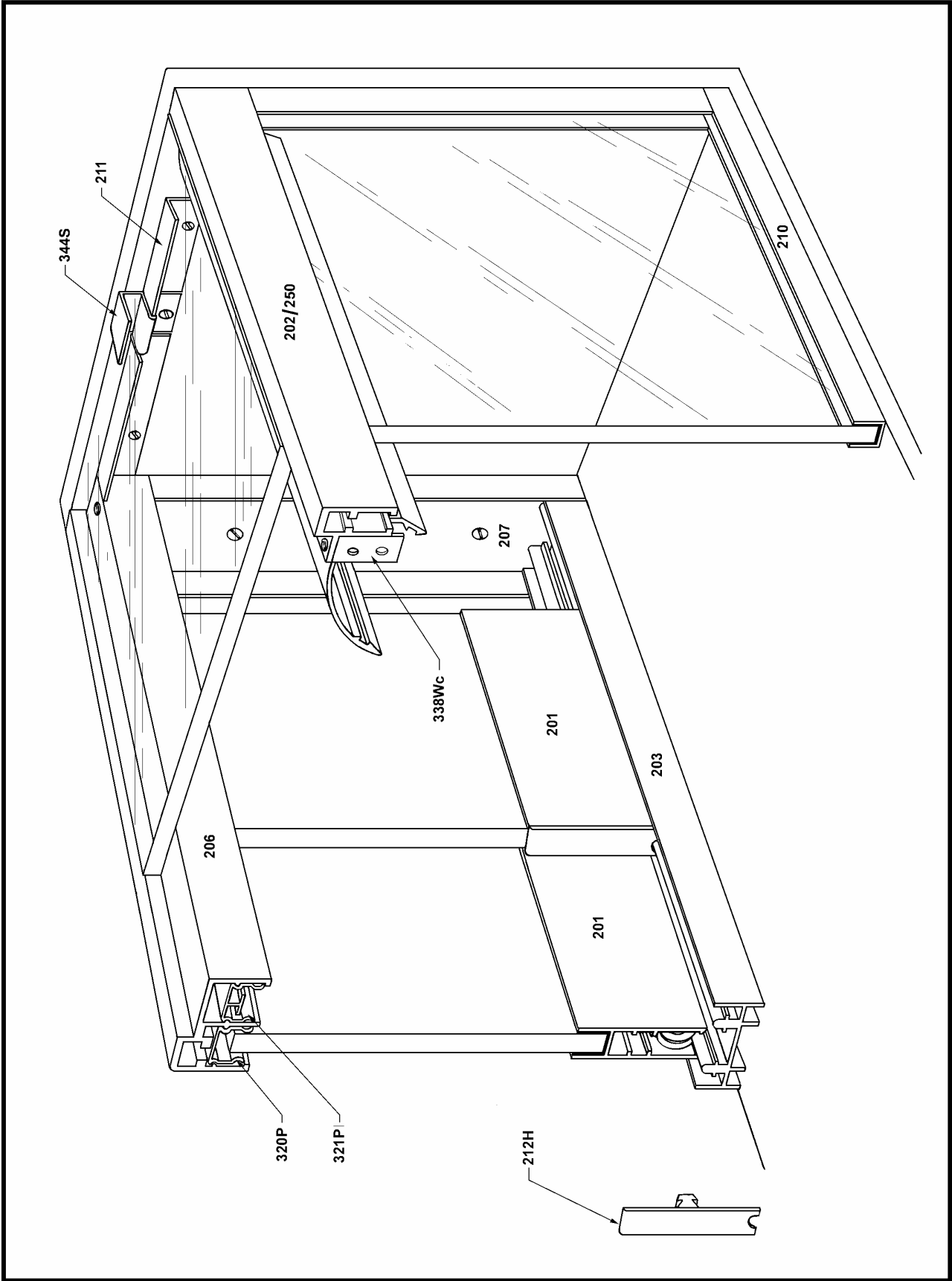


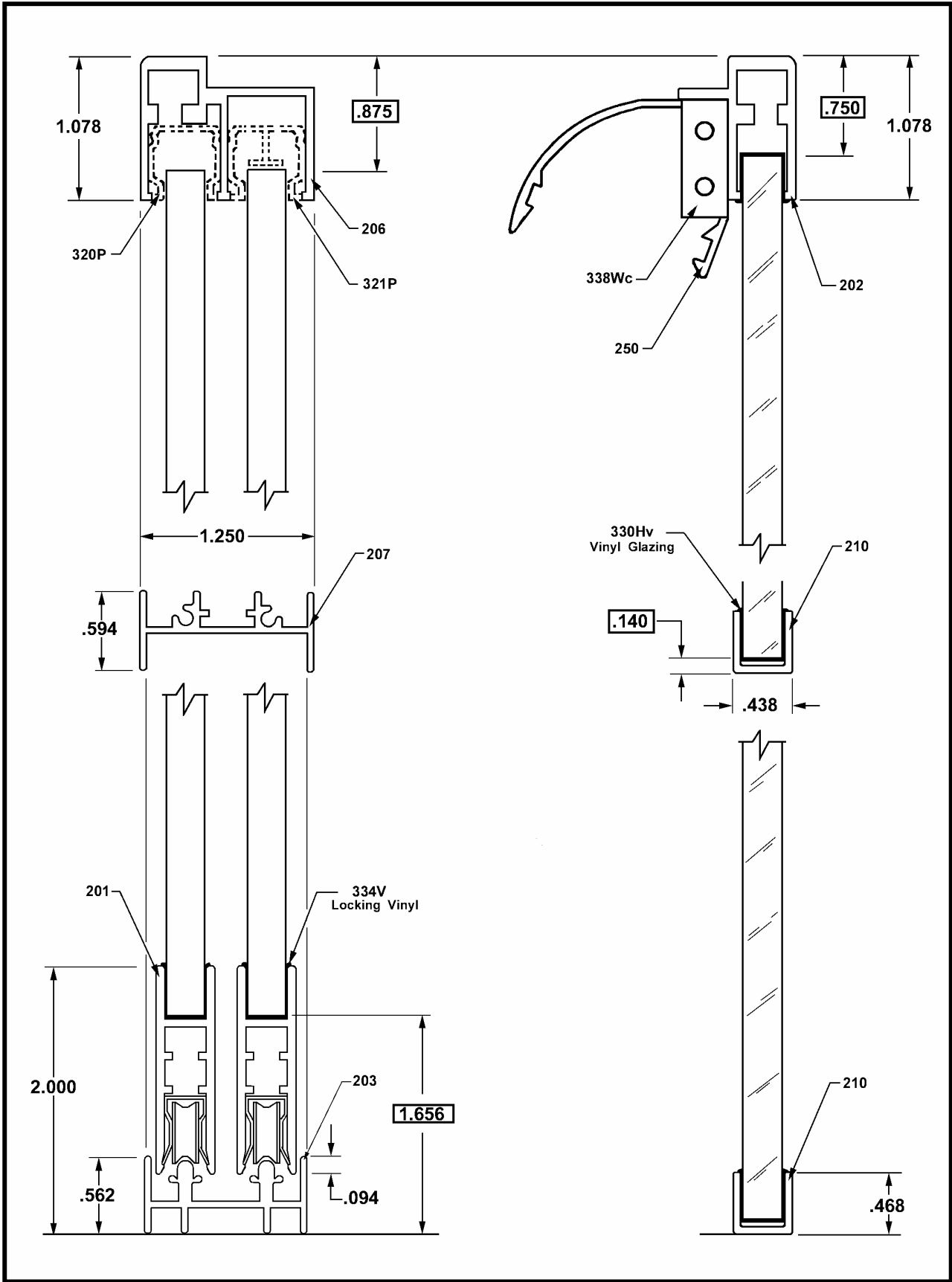


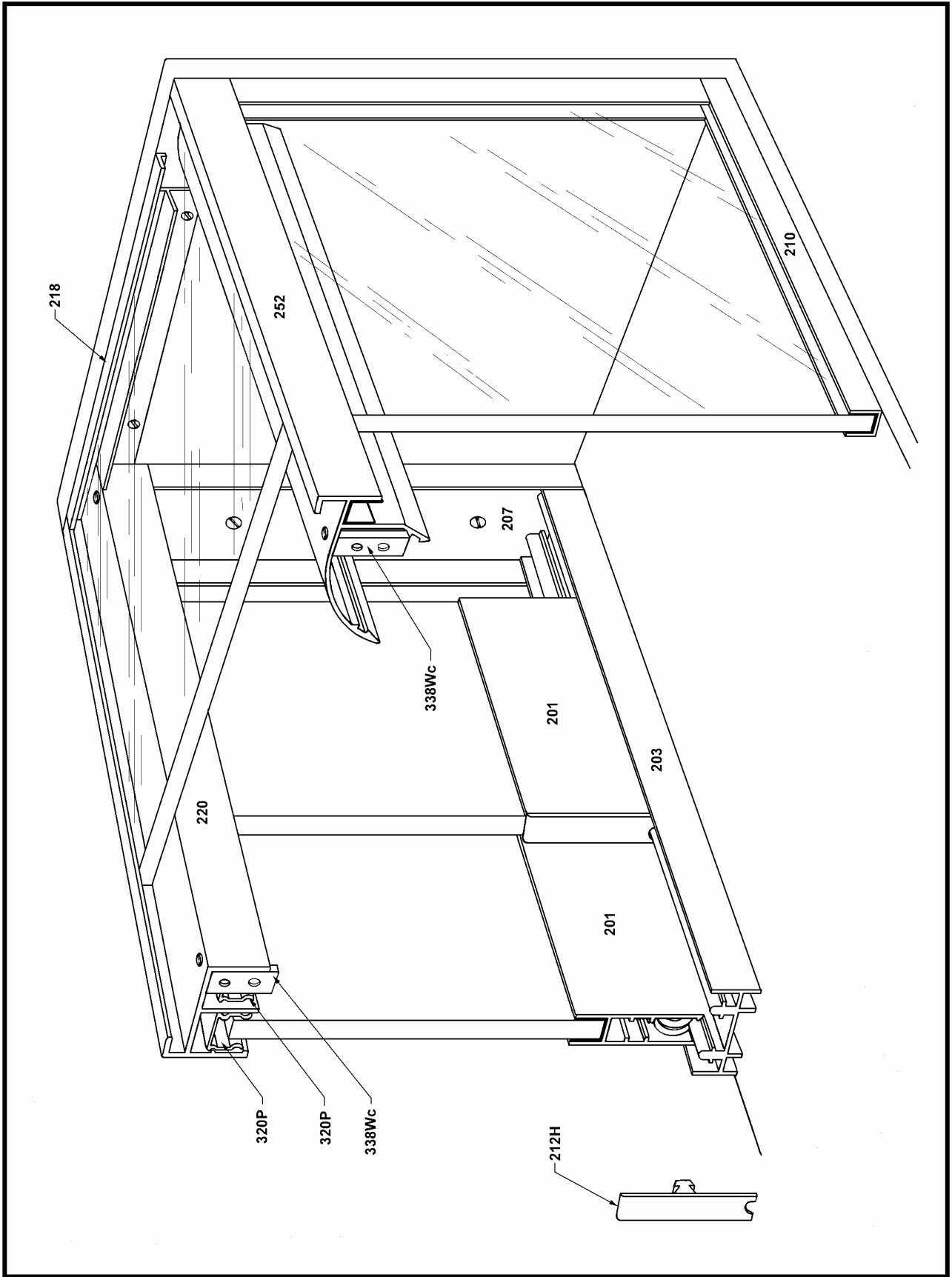


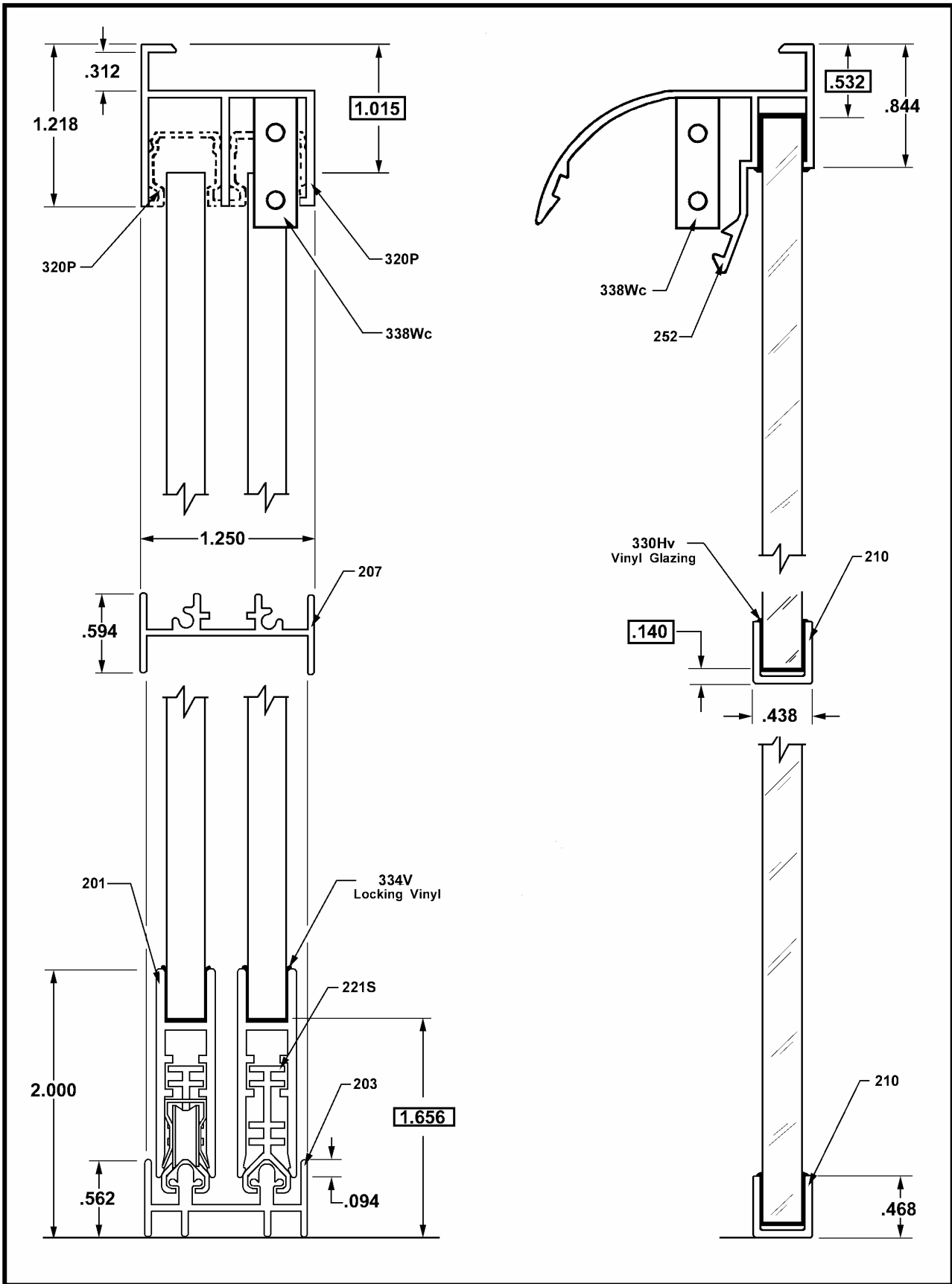




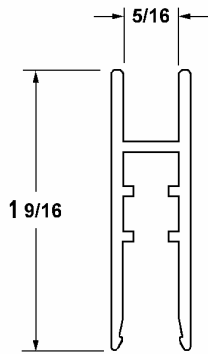




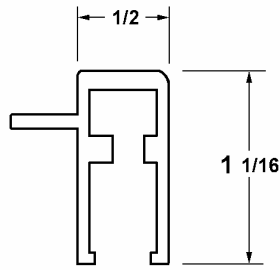




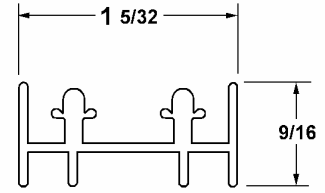
# EXTRUSIONS



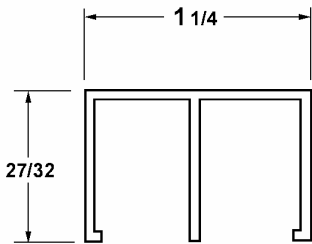
**201  
SHOE**



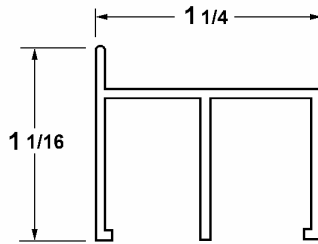
**202  
TOP RAIL**



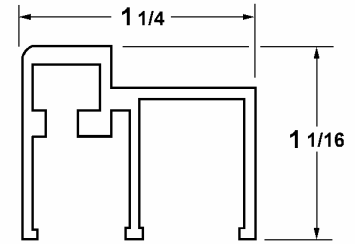
**203  
BOTTOM TRACK**



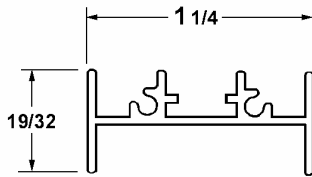
**204  
TOP TRACK**



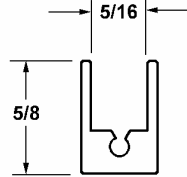
**205  
TOP TRACK**



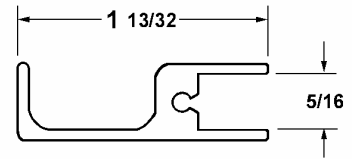
**206  
TOP TRACK**



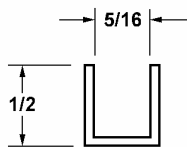
**207  
DOOR JAMB**



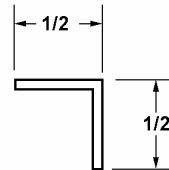
**208  
DOOR EDGE**



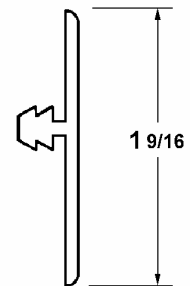
**209  
DOOR PULL**



**210  
GLASS CHANNEL**

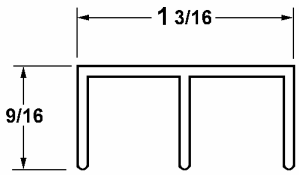


**211  
SUPPORT ANGLE**

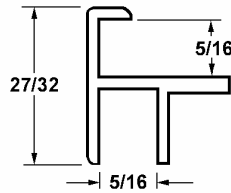


**212H  
SHOE CAP ( for 201 )**

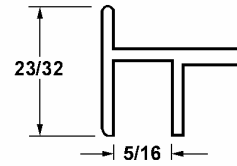
# EXTRUSIONS



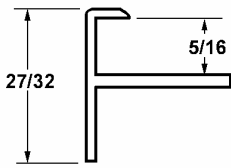
**213**  
DOUBLE CHANNEL



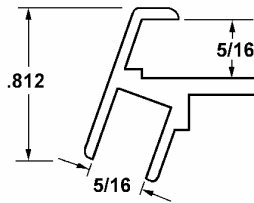
**216**  
SECURITY FRONT RAIL



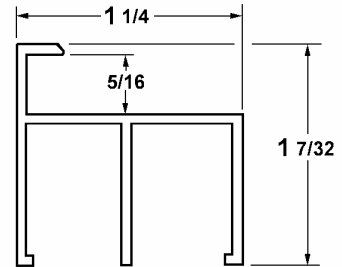
**217**  
FRONT RAIL



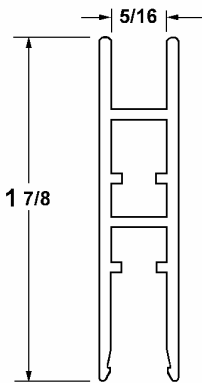
**218**  
SECURITY SIDE RAIL



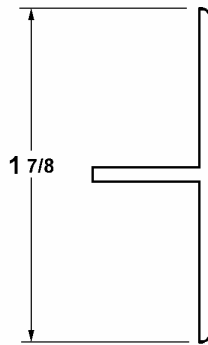
**219**  
SECURITY FRONT RAIL



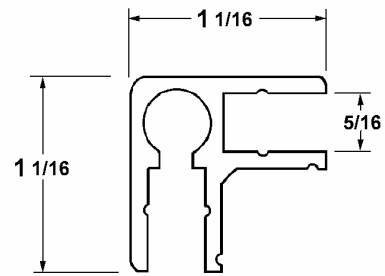
**220**  
SECURITY TOP TRACK



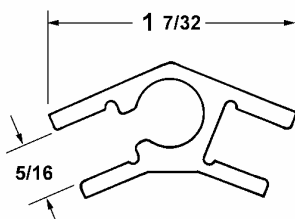
**222**  
SHOE



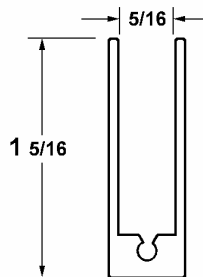
**223**  
SHOE CAP



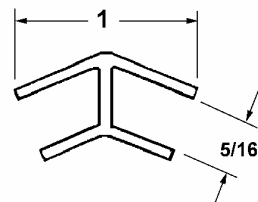
**230**  
90° CORNER POST  
(for ALL METAL Case)



**235**  
135° FRONT POST  
(for ALL METAL Case)

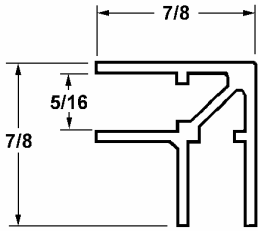


**236**  
DOOR FRAME

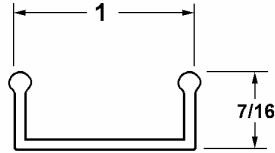


**241**  
135° FRONT POST  
(for WOODEND Case)

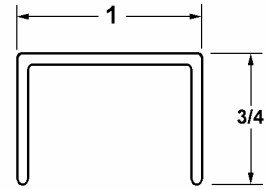
# EXTRUSIONS



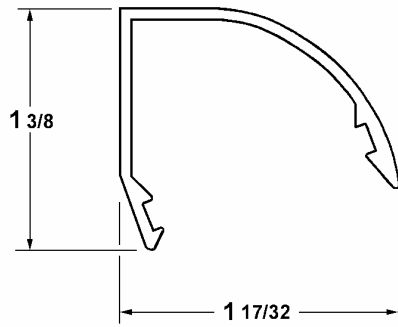
**242**  
**90° CORNER POST**  
 (for WOODEND Case)



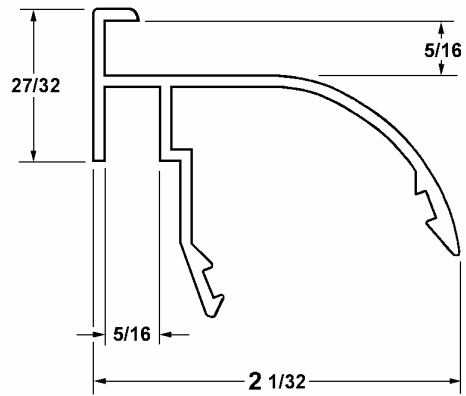
**243**  
**3/4 DOOR BOTTOM TRACK**



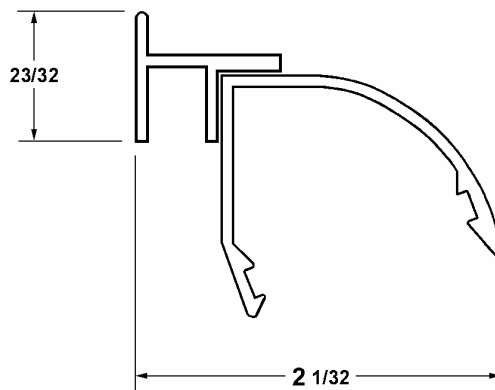
**244**  
**3/4 DOOR TOP TRACK**



**250**  
**LAMP SHIELD**



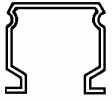
**252**  
**SECURITY LAMP SHIELD**



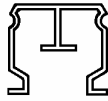
**217 / 250**  
**FRONT RAIL / LAMP SHIELD**



# ACCESSORIES



**320P**  
Rigid PVC  
Door Glide



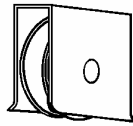
**321P**  
Rigid PVC Security  
Door Glide



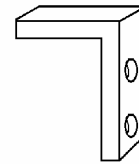
**322P**  
PVC Top Guide



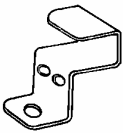
**323P**  
Plastic Door Guide



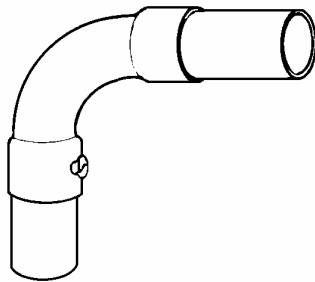
**336W**  
Heavy Duty Ball  
Bearing Wheel



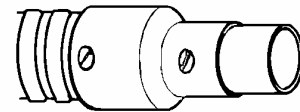
**338Wc**  
Side Attaching  
Wood Clip



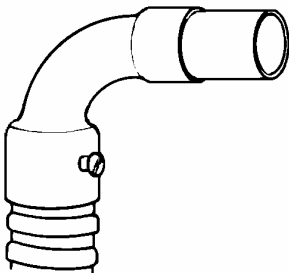
**344S**  
Top Glass  
Security Clip



**574H**  
DownTube / DownTube  
90° Elbow



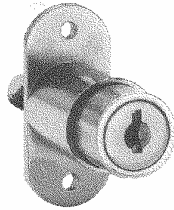
**575H**  
DownTube / Flex  
Coupler



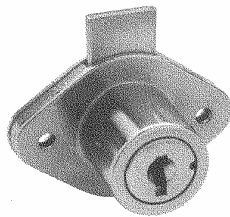
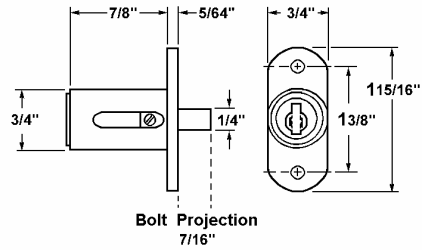
**576H**  
DownTube / Flex  
90° Elbow

# LOCKS

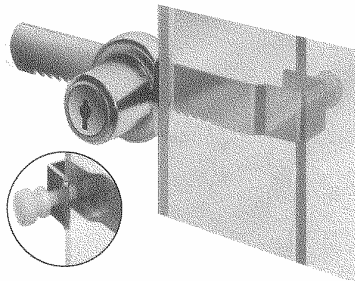
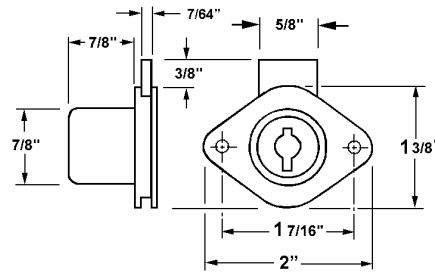
**One Key Fits All Styles**      ■      **Uses One Standard Key Blank**  
 Two Keys Per Lock   ■   Disc Tumblers   ■   Keyed Alike   ■   Keyed Different  
 Available Finishes:   ■   Brite Chrome   ■   Brite Brass   ■   Luster Black



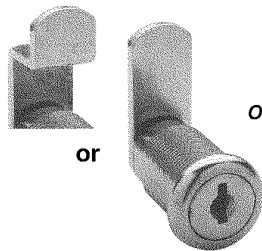
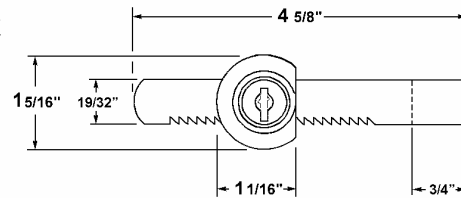
**495**  
**Plunge Lock**



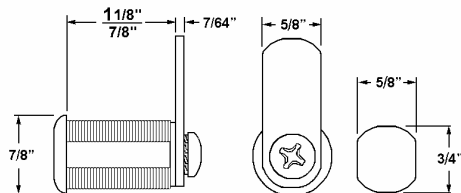
**496**  
**Drawer Lock**  
*Other Sizes Available*



**497**  
**Ratchet Lock**

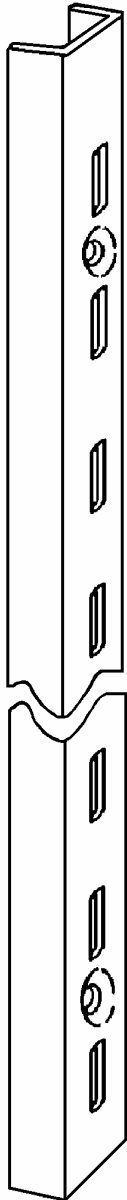


**498**  
**Cam Lock**  
*Other Sizes & Cams Available*

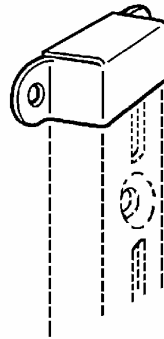


# STANDARDS / BRACKETS

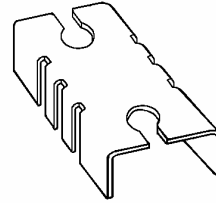
All Hardware Available In: Satin ■ Gold ■ Black  
(Broken Carton Quantities Acceptable)



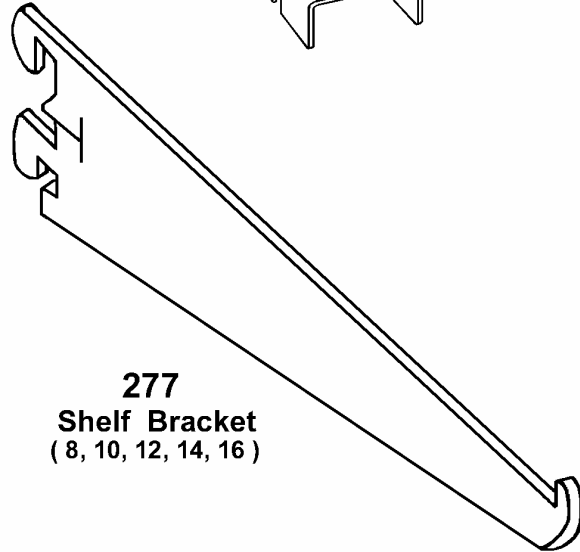
**270**  
36" Standard



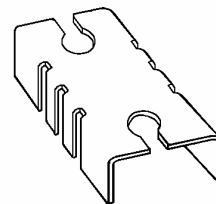
**275T**  
Top Anchor Cap



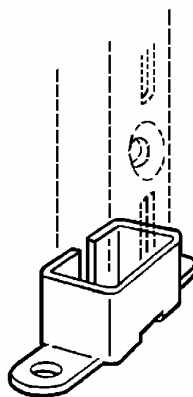
**283**  
Universal  
Shelf Rest



**277**  
Shelf Bracket  
( 8, 10, 12, 14, 16 )



**283**  
Universal  
Shelf Rest



**275B**  
Bottom Anchor Cap